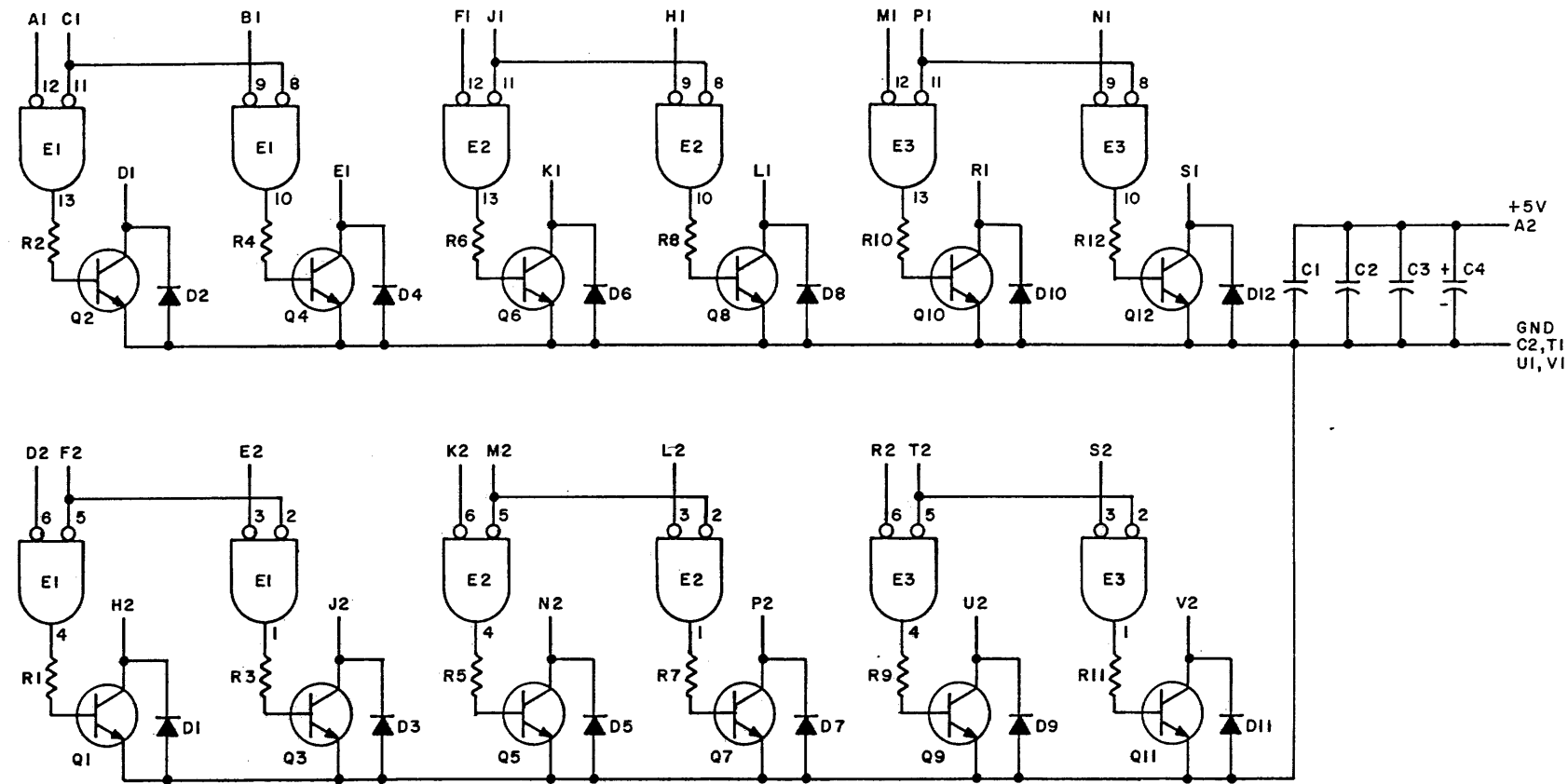
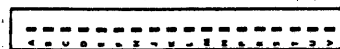


THIS SCHEMATIC IS FURNISHED ONLY FOR TEST AND MAINTENANCE PURPOSES. THE CIRCUITS ARE PROPRIETARY IN NATURE AND SHOULD BE TREATED ACCORDINGLY. COPYRIGHT 1968 BY DIGITAL EQUIPMENT CORPORATION



NOTES:  
PIN 7 ON EACH IC = GND  
PIN 14 ON EACH IC = +5V



E1 - E3	INTEGRATED CKT. DEC7402	1909004
Q1 - Q12	TRANSISTOR DEC3009B	1503100
R1 - R12	RES. 390 1/4W 5% CC	1300309
D1 - D12	DIODE D664	1100114
C4	CAP. 6.8MFD 35V 20% S.TANT	1000067
C1 - C3	CAP. .01MFD 100V 20% DISC	1001610
PARTS LIST		A-PL-M623-O-0
REFERENCE DESIGNATION	DESCRIPTION	PART NO.

REV.	CHK	CHG	NO.	REV.
B			00002	
D			00003	
E			00005	
F			00007	

DRN.	M. Haller	DATE	6-4-68
CHK'D		DATE	4/10/69
ENG.		DATE	7/1/68
PROD.		DATE	

TRANSISTOR & DIODE CONVERSION CHART			
DEC	EIA	DEC	EIA
D664	1N3606		
DEC3009B	2N3009		

<b>digital</b>		BUS DRIVER M623	
EQUIPMENT CORPORATION	SIZE	CODE	NUMBER
MAYNARD, MASSACHUSETTS	C	CS	M623-0-1
PRINTED CIRCUIT REV.	REV.		F

REV. F  
NUMBER  
M623-0-1  
SIZE CODE C CS