

S/N 14029

**CONTROL DATA® 9461
DISK STORAGE DRIVE**

A12 AND ABOVE
B12 AND ABOVE

PARTS LIST

CONTROL DATA

CUSTOMER ENGINEERING MANUAL



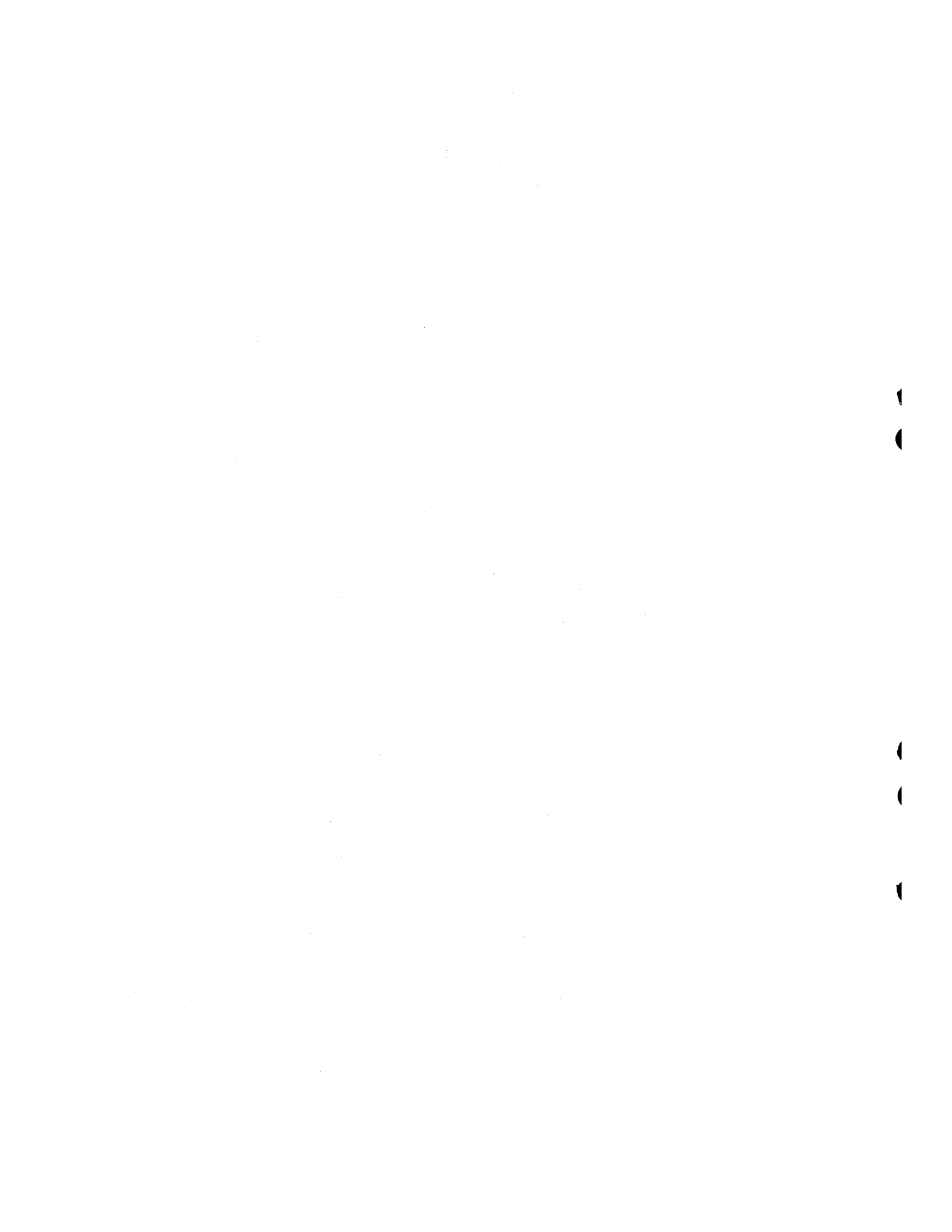
1
2

3
4

5

CONTENTS

INTRODUCTION	iii
LOCATOR	1
Disk Storage Drive Final Assembly, II, I	3
Head Arm Assemblies	3
Main Deck	5
Sector Sensor Assembly	7
Sector Solenoid Assembly	7
Spindle and Brake Assembly (S/N 12,999 And Below)	9
Spindle and Brake Assembly (S/N 13,000 And Above)	9.2
Motor and Idler Assembly	11
Lamp Housing Assembly	13
Brush Assembly	15
Read/Write Chassis Assembly, X Row	17
Actuator Assembly	19
Carriage Assembly	23
Heads Loaded Latch Assembly	25
Logic Chassis Assembly	27
Power Supply Assembly	35
Front Panel Assembly	39
Vertical Panel Assembly	43
Horizontal Panel Assembly	45
DC Power Panel Assembly	47
Auxiliary Power Panel Assembly	49
Main Frame Assembly	51
Top Cover Assembly	55
Cable Assemblies	57
LOGIC CARDS - See Customer Engineering Manual, CDC Publication Number 40826700.	





INTRODUCTION

A

THE MODEL LEVEL COLUMN REFERENCES THE QUANTITY OF EACH ITEM USED IN AN ASSEMBLY TO A PARTICULAR MODEL. MODEL A IS 60 HERTZ; MODEL B IS 50 HERTZ.

B

THE INDEX NUMBER COLUMN PROVIDES A CROSS REFERENCE BETWEEN THE PARTS LIST AND THE ASSOCIATED FIGURE. THE NUMBER BEFORE THE HYPHEN IS THE FIGURE NUMBER TO WHICH IT APPLIES. THE NUMBER AFTER THE HYPHEN IS THE CALLOUT NUMBER ON THE FIGURE.

C

THE "NUMBER REQUIRED" COLUMNS PROVIDE THE QUANTITY OF EACH ITEM USED IN THAT ASSEMBLY. AR-AS REQUIRED

D

IF AN ASSEMBLY IS NOT BROKEN DOWN IMMEDIATELY AFTER BEING LISTED, A FIGURE NUMBER WILL REFERENCE THE LOCATION WHERE THE BREAKDOWN IS MADE.

E

THE RELATIONSHIP OF AN ITEM TO ITS NEXT HIGHER ASSEMBLY IS INDICATED IN THE "ASSEMBLY LEVEL" COLUMN. THE "B" LEVEL IS PART OF THE FIRST PRECEDING "A" LEVEL. THE "C" LEVEL IS PART OF THE FIRST PRECEDING "B" LEVEL, ETC.

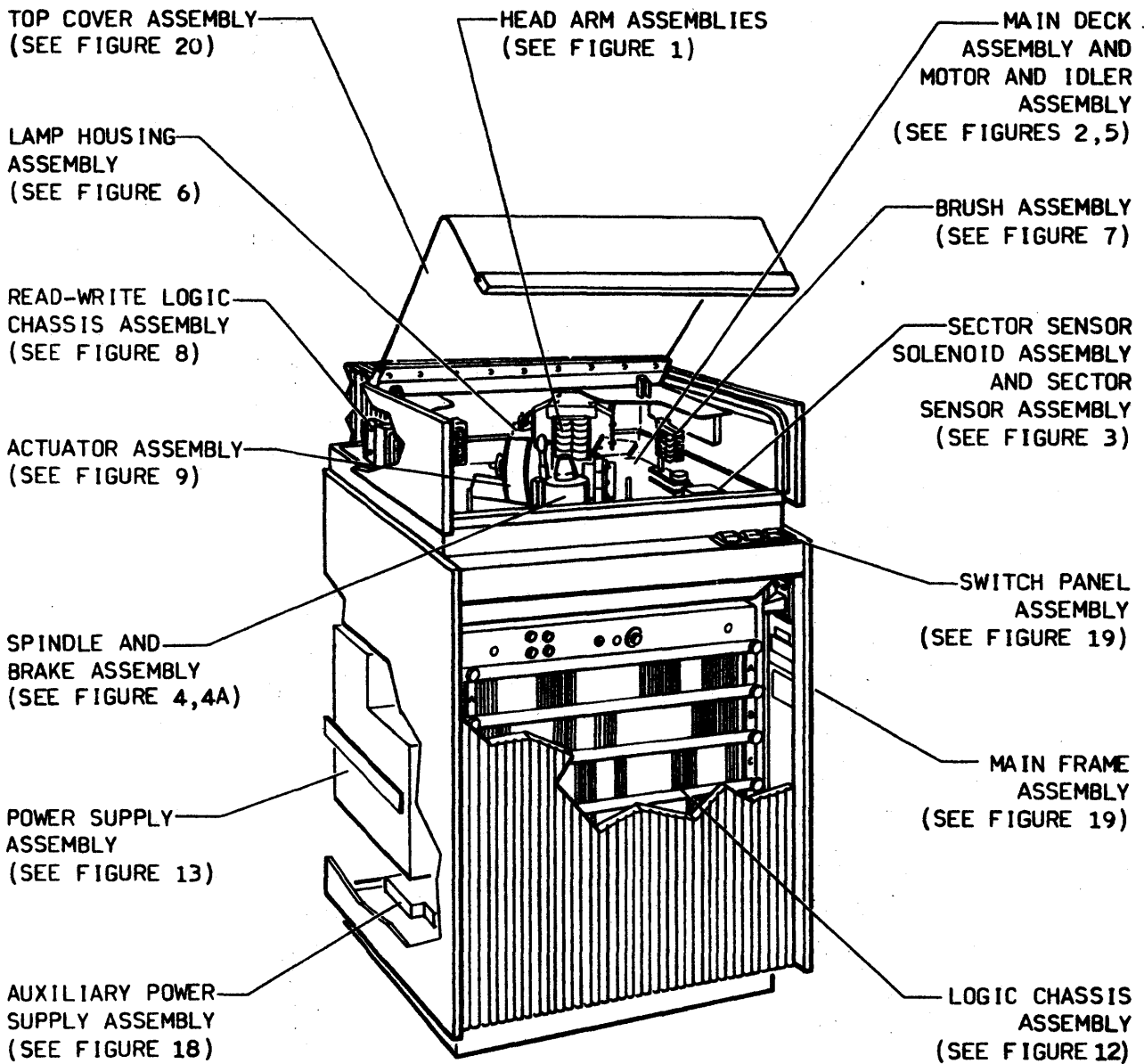
F

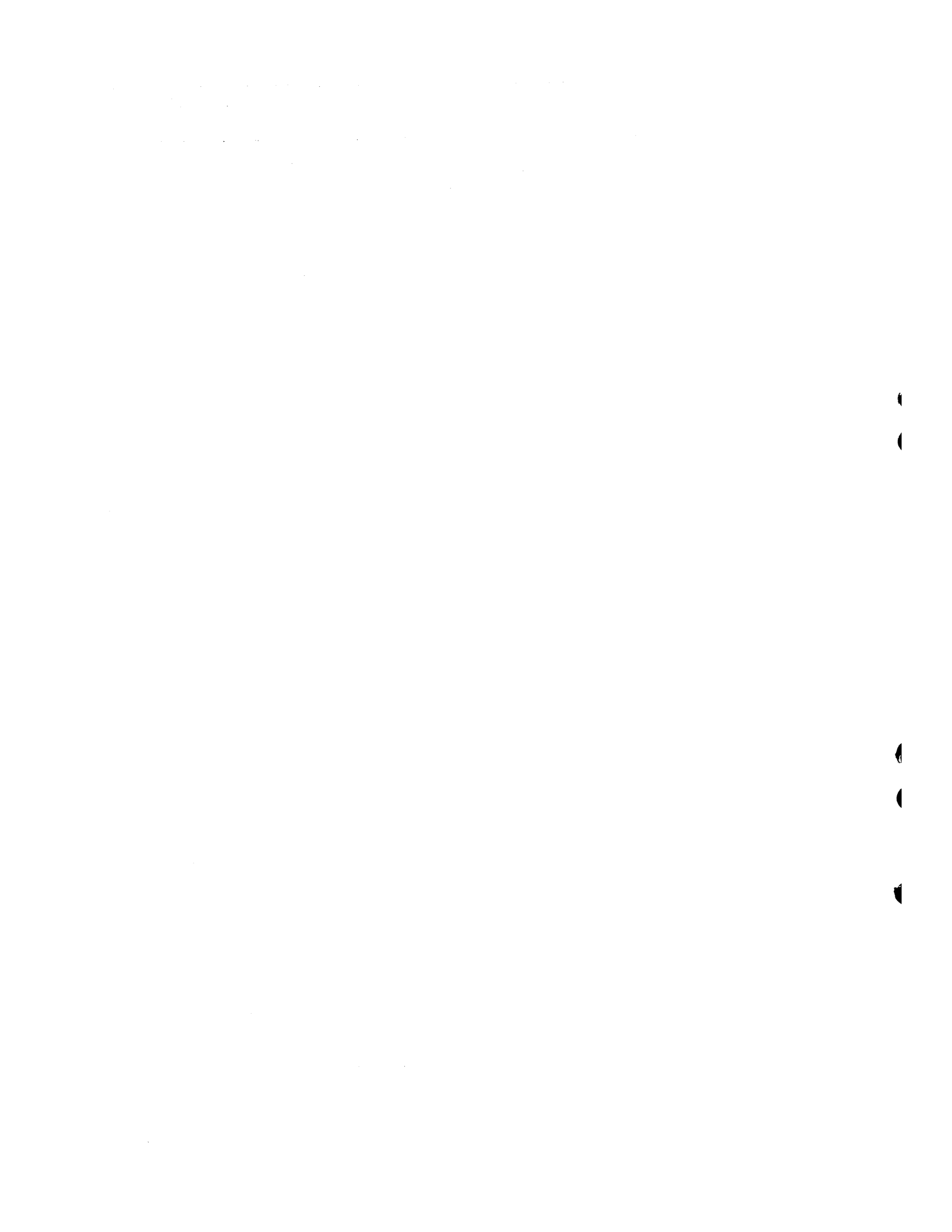
IN SOME CASES RELATED ITEMS APPEAR ON CERTAIN FIGURES FOR IDENTIFICATION PURPOSES ALTHOUGH THEY ARE NOT PART OF THE ASSEMBLY. THESE ITEMS MUST BE ORDERED AS INDIVIDUAL PIECES OR WITH THEIR RESPECTIVE ASSEMBLY.

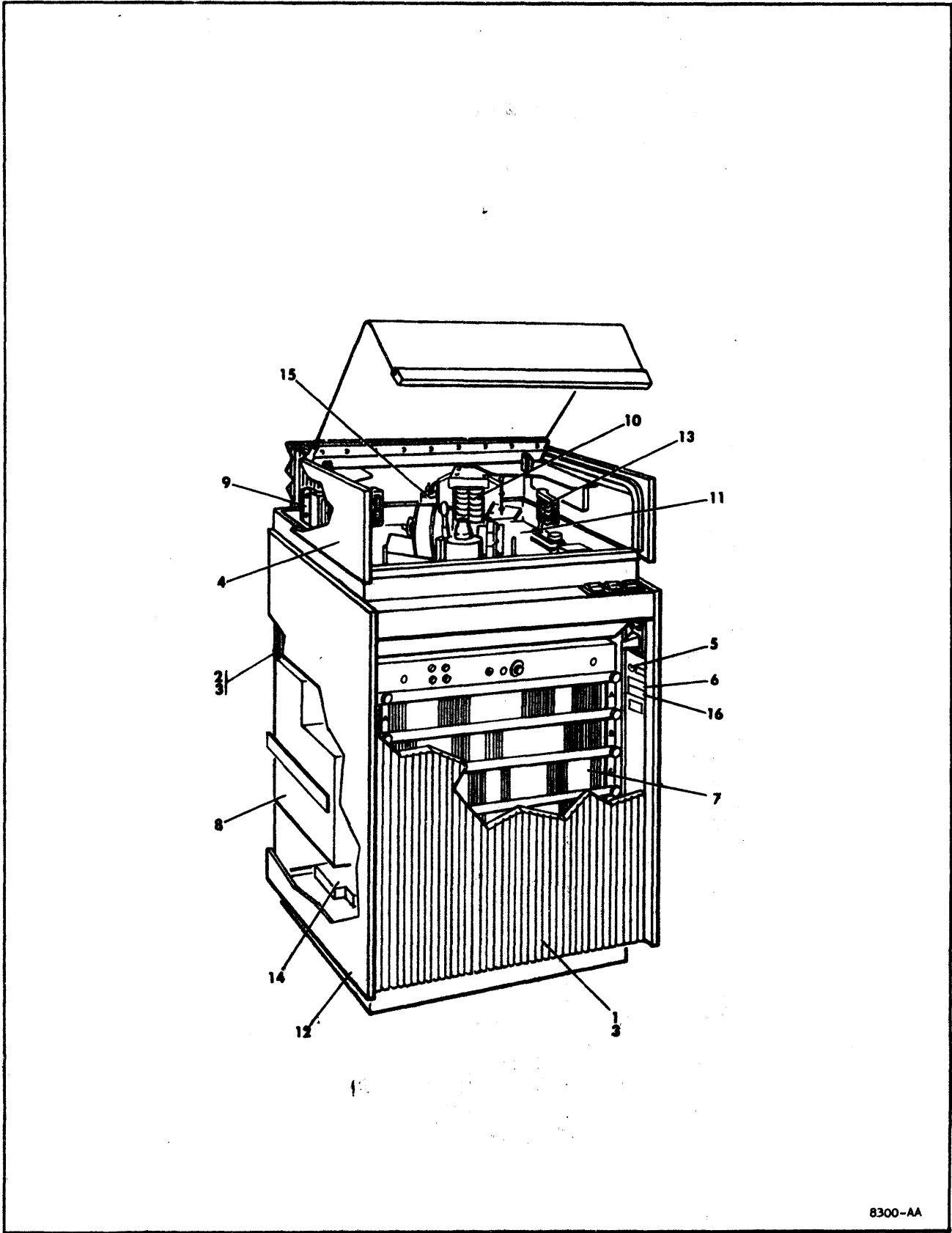


LOCATOR

DISK STORAGE DRIVE







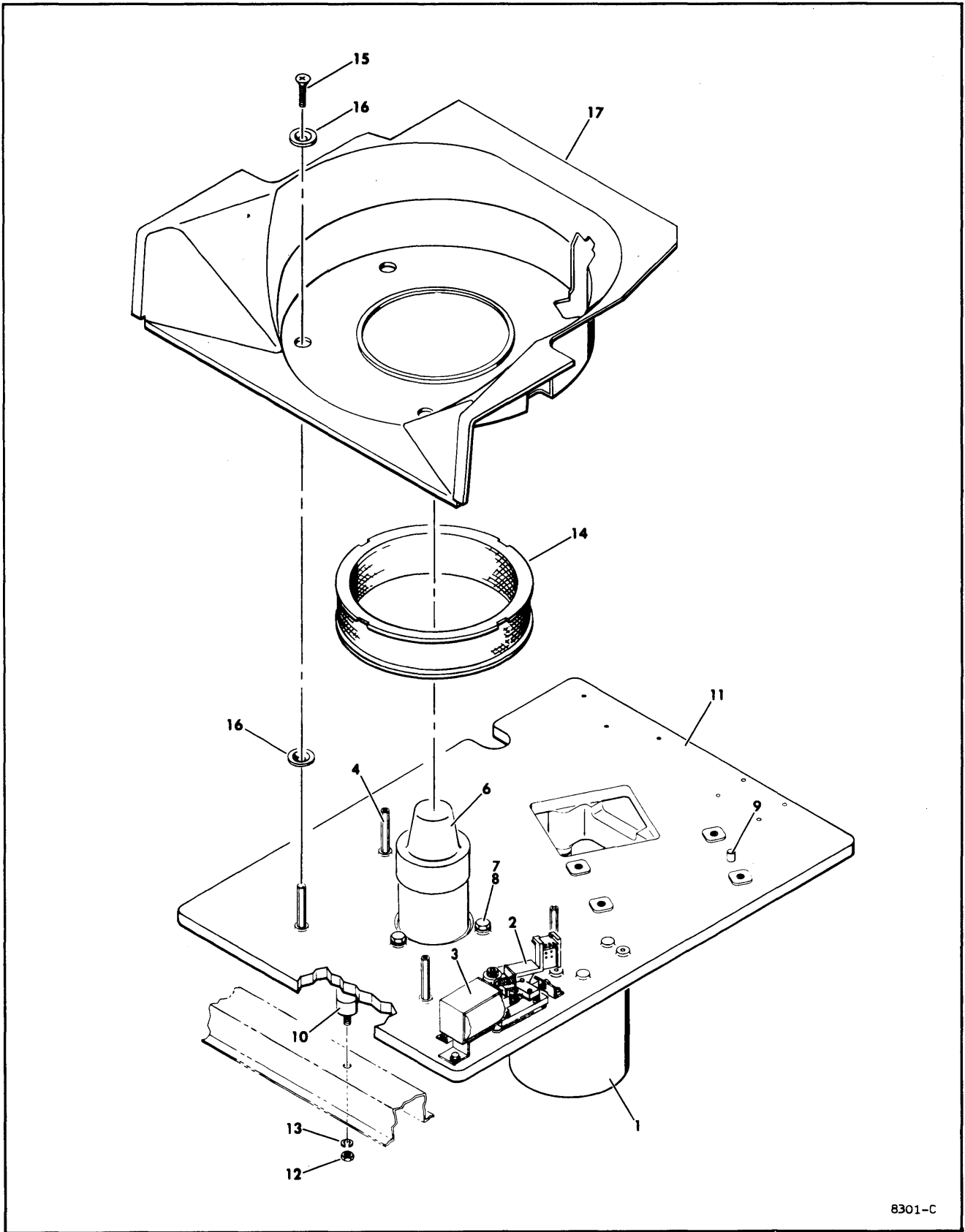
8300-AA

FIGURE 1. DISK STORAGE DRIVE FINAL ASSEMBLY



ASSY LEVEL	INDEX NO.	EQUIPMENT PART NUMBER	ITEM DESCRIPTION	MOD. LEVEL				
				A	B			
				NO. REQUIRED				
A	1-	41250123	DISK STORAGE DRIVE FINAL ASSEMBLY II, 60 HERTZ	1	-			
A	1-	41250124	DISK STORAGE DRIVE FINAL ASSEMBLY II, 50 HERTZ	-	1			
B	-1	45508969	FRONT END PANEL ASSEMBLY	1	1			
C	-	45508869	PANEL, END	1	1			
C	-	41270400	BRACKET, BOTTOM, END PANEL	2	2			
C	-	93592238	SCREW, MACHINE, HEXAGON WASHER HEAD, 10-24 x 3/8	4	4			
C	-	93613010	STUD, THREADED, 10-32	2	2			
C	-	93211009	WASHER, PLAIN, 10	2	2			
C	-	92125003	NUT, SPEED, 10-24	4	4			
C	-	92633007	BUMPER, RUBBER, GROMMET TYPE, 5/16 OD, 1/4 ID	2	2			
C	-	92633003	BUMPER, RUBBER, GROMMET TYPE, 32 OD, 11/32 ID	2	2			
B	-2	45508967	REAR END, PANEL ASSEMBLY	1	1			
C	-	45508867	PANEL, END	1	1			
C	-	41270400	BRACKET, BOTTOM, END PANEL	2	2			
C	-	93592238	SCREW, MACHINE, HEXAGON WASHER HEAD, 10-24 x 3/8	4	4			
C	-	92125003	NUT, SPEED, 10-24	2	2			
C	-	92633007	BUMPER, RUBBER, GROMMET TYPE, 5/16 OD, 1/4 ID	2	2			
C	-	92633003	BUMPER, RUBBER, GROMMET TYPE, 17/32 OD, 11/32 ID	2	2			
B	-3	94224638	LABEL, INFORMATION, END PANEL	2	2			
B	-4	45473306	TOP COVER ASSEMBLY (SEE FIGURE 20)	1	1			
B	-5	10127600	MARKER, UL	1	1			
B	-6	40081322	PLATE, IDENTIFICATION, EQUIPMENT	1	-			
B	-6	40081323	PLATE, IDENTIFICATION, EQUIPMENT	-	1			
B	-	41253123	DISK STORAGE DRIVE FINAL ASSEMBLY I	1	-			
B	-	41253124	DISK STORAGE DRIVE FINAL ASSEMBLY I	-	1			
C	-7	41250327	LOGIC CHASSIS ASSEMBLY (SEE FIGURE 12)	1	1			
C	-8	45443123	POWER SUPPLY ASSEMBLY (SEE FIGURE 13)	1	-			
C	-8	45443124	POWER SUPPLY ASSEMBLY (SEE FIGURE 13)	-	1			
C	-9	46810000	READ/WRITE LOGIC CHASSIS ASSEMBLY (SEE FIGURE 8)	1	1			
C	-10	45868309	ACTUATOR ASSEMBLY (SEE FIGURE 9)	1	1			
C	-11	45672310	MAIN DECK ASSEMBLY (SEE FIGURE 2)	1	-			
C	-11	45672311	MAIN DECK ASSEMBLY (SEE FIGURE 2)	-	1			
C	-12	41253607	MAIN FRAME ASSEMBLY (SEE FIGURE 20)	1	1			
C	-13	45669200	BRUSH ASSEMBLY, 60 HERTZ (SEE FIGURE 7)	1	-			
C	-13	45669201	BRUSH ASSEMBLY, 50 HERTZ (SEE FIGURE 7)	-	1			
C	-14	45443700	AUXILIARY POWER SUPPLY ASSEMBLY (SEE FIGURE 18)	1	1			
C	-15	45495001	LAMP HOUSING ASSEMBLY (SEE FIGURE 6)	1	1			
C	-	45586900*	HEAD ARM ASSEMBLY (TUNNEL ERASE) POSITION 2 AND 6	2	2			
C	-	45586901*	HEAD ARM ASSEMBLY (TUNNEL ERASE) POSITION 3 AND 7	2	2			
C	-	45586902*	HEAD ARM ASSEMBLY (TUNNEL ERASE) POSITION 1, 5 AND 9	3	3			
C	-	45586903*	HEAD ARM ASSEMBLY (TUNNEL ERASE) POSITION 4 AND 8	2	2			
B	-16	40072422	PLATE, IDENTIFICATION, CABINET	1				
B	-16	40072423	PLATE, IDENTIFICATION, CABINET		1			

*USE HEAD PLUG ADAPTER TOOL P/N 46812200 FOR INSTALLING HEAD ARM ASSEMBLIES. REFERENCE CE ALIGNMENT PROCEDURE IN THE MAINTENANCE MANUAL.



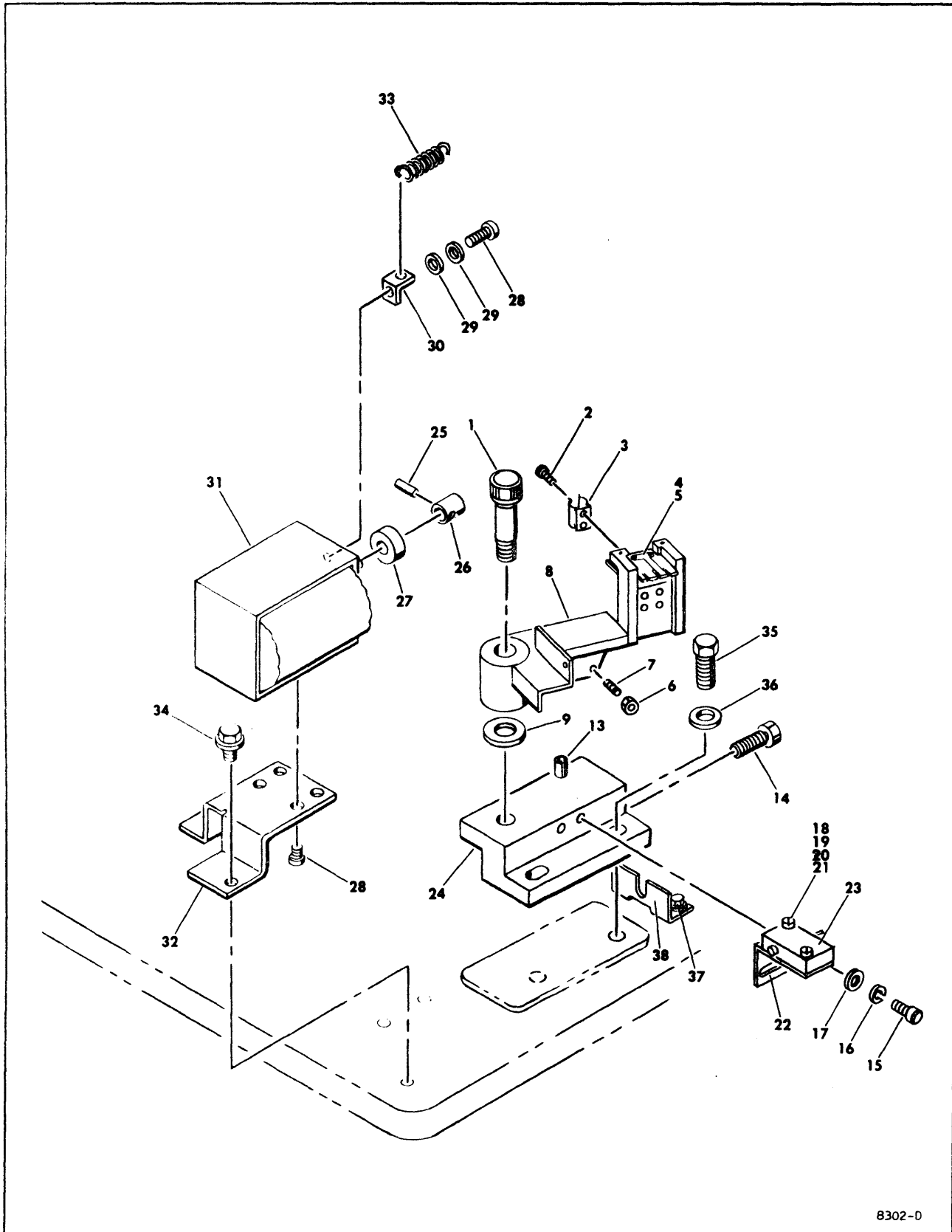
8301-C

FIGURE 2. MAIN DECK ASSEMBLY

ASSY LEVEL	INDEX NO.	EQUIPMENT PART NUMBER	ITEM DESCRIPTION	MOD. LEVEL				
				A	B			
				NO. REQUIRED				
C	2-	45672310	MAIN DECK ASSEMBLY	1	-			
C	2-	45672311	MAIN DECK ASSEMBLY	-	1			
D	-1	45586009*	MOTOR AND IDLER ASSEMBLY (S/N 12,999 AND BELOW)	1	-			
D	-1	70544809*	MOTOR AND IDLER ASSEMBLY (S/N 13,000 AND ABOVE)	1	-			
D	-1	45586003*	MOTOR AND IDLER ASSEMBLY (S/N 12,999 AND BELOW)	-	1			
D	-1	70544803*	MOTOR AND IDLER ASSEMBLY (S/N 13,000 AND ABOVE)	-	1			
D	-2	45688600	SECTOR SENSOR ASSEMBLY (SEE FIGURE 3)	1	1			
D	-3	41252600	SECTOR SENSOR SOLENOID ASSEMBLY (SEE FIGURE 3)	1	1			
D	-4	45674100	STANDOFF, INNER SHROUD	4	4			
	-5		NOT USED	-	-			
D	-6	45483700	SPINDLE AND BRAKE ASSEMBLY (S/N 9,999 AND BELOW) SEE FIGURE 4	1	1			
D	-6	45688900	SPINDLE AND BRAKE ASSEMBLY (S/N 10,000 THRU 12,999) SEE FIGURE 4	1	1			
D	-6	70556800	SPINDLE AND BRAKE ASSEMBLY (S/N 13,000 AND ABOVE) SEE FIGURE 4A	1	1			
D	-7	92855220	SCREW, MACHINE, HEXAGON CAP HEAD, 3/8-16 x 1-3/4	3	3			
D	-8	93210013	WASHER, PLAIN, 3/8	3	3			
D	-9	92226017	PIN, DOWEL, 3/8 x 7/8	1	1			
D	-10	93568005	MOUNT, VIBRATION	3	3			
D	-11	45492500	DECK, MAIN	1	1			
C	-12	10125302	NUT, HEXAGON, 5/16-18	3	3			
C	-13	10125807	WASHER, LOCK, SPRING, 5/16	3	3			
C	-14	45482300	AIR FILTER ASSEMBLY	1	1			
D	-	94297600	FILTER, AIR	1	1			
D	-	40517401	SEAL, FOAM	1	1			
B	-15	10125737	SCREW, MACHINE, FLAT HEAD, PHILLIS, 10-24 x 5/8	4	4			
B	-16	41276600	WASHER, CSK 82°	8	8			
B	-17	46582000	SHROUD, INNER	1	1			

*SEE FIGURE 5





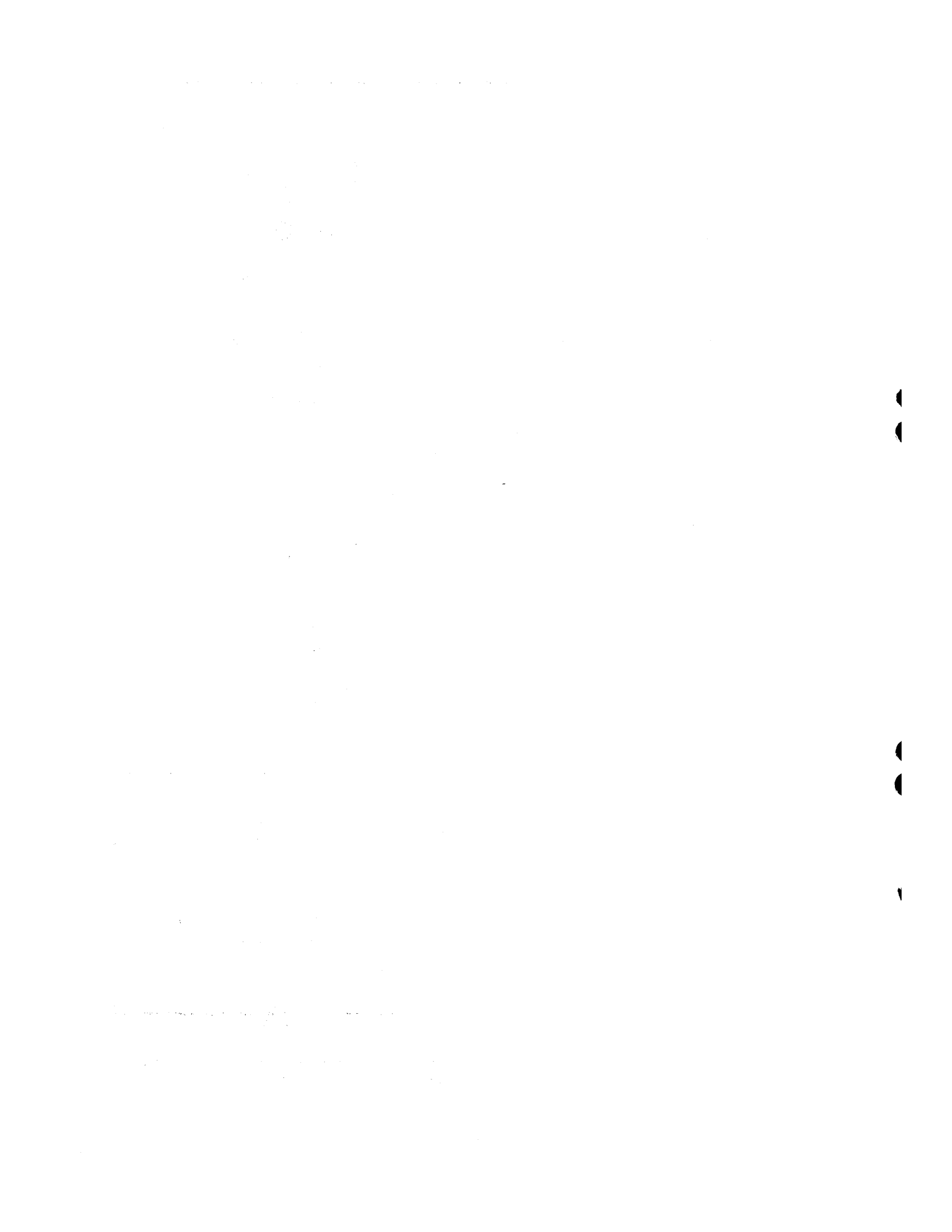
8302-D

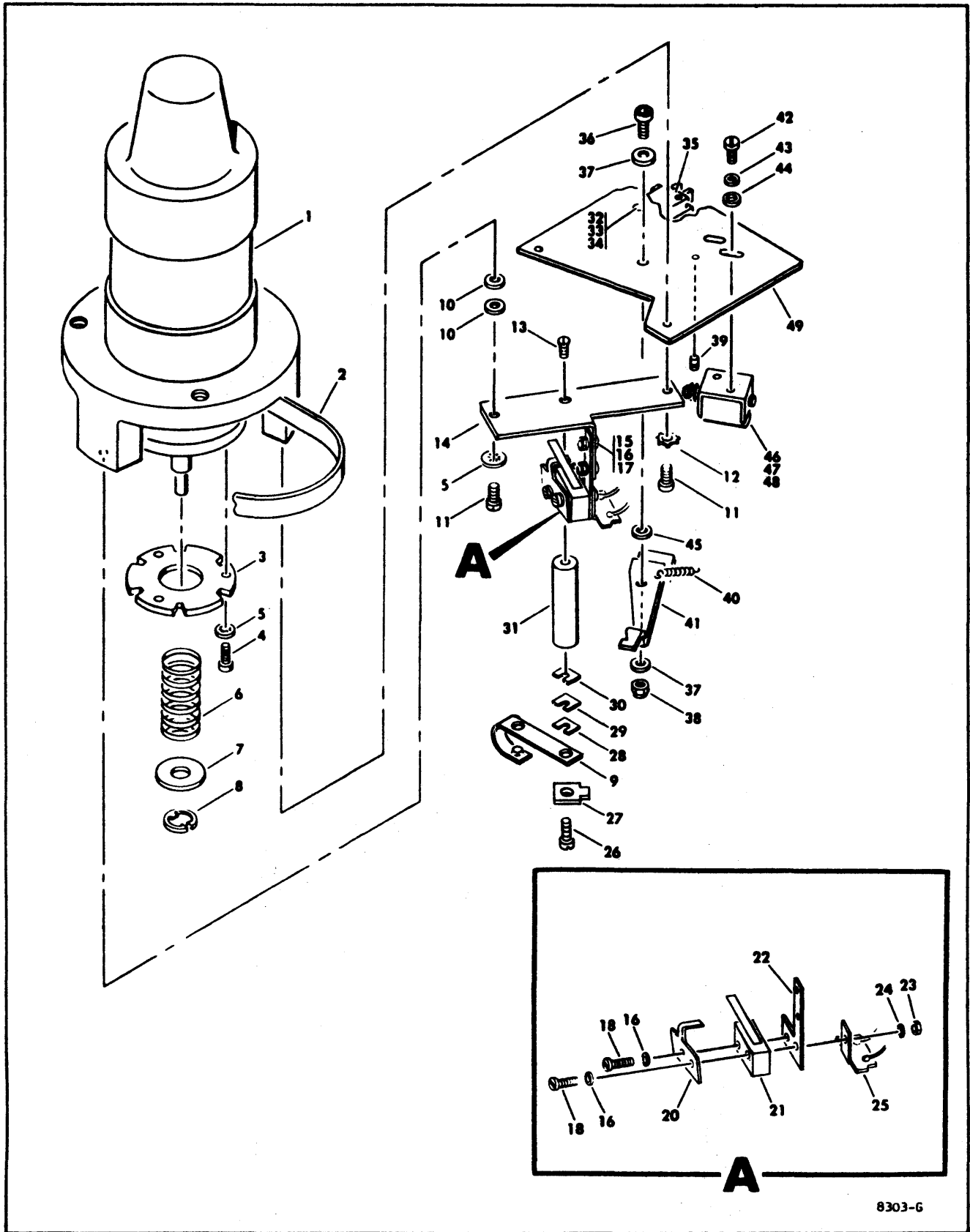
FIGURE 3. SECTOR SENSOR/SECTOR SOLENOID ASSEMBLY



ASSY LEVEL	INDEX NO.	EQUIPMENT PART NUMBER	ITEM DESCRIPTION	MOD. LEVEL				
				A	B			
				NO. REQUIRED				
D	3-	45688600	SECTOR SENSOR ASSEMBLY	1	1			
E	-1	92541047	SCREW, SHOULDER, SOCKET CAP HEAD	1	1			
E	-2	10127311	SCREW, MACHINE, PAN HEAD, SLOTTED, 2-56 x 1/4	4	4			
E	-3	92559006	CLIP, SPRING	2	2			
E	-4	92930044	SCREW, MACHINE, FLAT HEAD, SLOTTED, 2-56 x 3/16	2	2			
E	-5	41265901*	COMPONENT ASSEMBLY	1	1			
E	-6	10125105	NUT, HEXAGON, 6-32	1	1			
E	-7	93073253	SCREW, SET, SOCKET HEAD, OVAL POINT, 6-32 x 3/4	1	1			
E	-8	45688300	ARM, SECTOR SENSOR	1	1			
E	-9	45484101	SPACER	1	1			
	-10		NOT USED					
	-11		NOT USED					
	-12		NOT USED					
E	-13	93532134	PIN, ROLL, 0.125 x 0.750	1	1			
E	-14	45442000	SCREW, ADJUST	1	1			
E	-15	10126225	SCREW, MACHINE, CAP HEAD, SOCKET, 8-32 x 3/8	2	2			
E	-16	10125804	WASHER, LOCK, SPRING, 8	2	2			
E	-17	10125606	WASHER, PLAIN, 8	2	2			
E	-18	10127324	SCREW, MACHINE, PAN HEAD, SLOTTED, 4-40 x 5/8	2	2			
E	-19	10125603	WASHER, PLAIN, 4	2	2			
E	-20	10125801	WASHER, LOCK, SPRING, 4	2	2			
E	-21	10125103	NUT, HEXAGON, 4-40	2	2			
E	-22	45678100	BRACKET, MOUNTING, INTERLOCK SWITCH	1	1			
E	-23	93984000	SWITCH	1	1			
E	-24	45678400	BLOCK, RISER	1	1			
D	3-	41252600	SECTOR SENSOR SOLENOID ASSEMBLY	1	1			
E	-25	92031023	PIN, SPIRAL, 3/64 x 3/8	1	1			
E	-26	41278200	BUMPER, SOLENOID	1	1			
E	-27	94267303	WASHER, ELASTOMER	1	1			
E	-28	92780196	SCREW, MACHINE, PAN HEAD, SLOTTED, 8-32 x 1/4	5	5			
E	-29	93210008	WASHER, PLAIN, 8	2	2			
E	-30	41278000	BRACKET, SPRING	1	1			
E	-31	94238201	SOLENOID, 24 VDC	1	1			
E	-32	41278100	BRACKET, MOUNTING, SOLENOID	1	1			
D	-33	41278300	SPRING, EXTENSION	1	1			
D	-34	93592238	SCREW, MACHINE, HEXAGON WASHER HEAD, 10-24 x 3/8	3	3			
D	-35	92855173	SCREW, MACHINE, HEXAGON CAP HEAD, 1/4-20 x 3/4	2	2			
D	-36	93210011	WASHER, PLAIN, 1/4	2	2			
D	-37	10126233	SCREW, MACHINE, CAP HEAD, HEXAGON SOCKET, 10-24 x 3/8	2	2			
D	-38	46817200	BRACKET, ADJUST SCREW	1	1			

*REPLACE AS A UNIT





**FIGURE 4. SPINDLE AND BRAKE ASSEMBLY
(S/N 12, 999 AND BELOW)**

Faint, illegible text at the top of the page, possibly a header or title.

Second line of faint, illegible text.

Third line of faint, illegible text.

Fourth line of faint, illegible text.

Fifth line of faint, illegible text.

Sixth line of faint, illegible text.

Seventh line of faint, illegible text.

Eighth line of faint, illegible text.

Ninth line of faint, illegible text.

Tenth line of faint, illegible text.

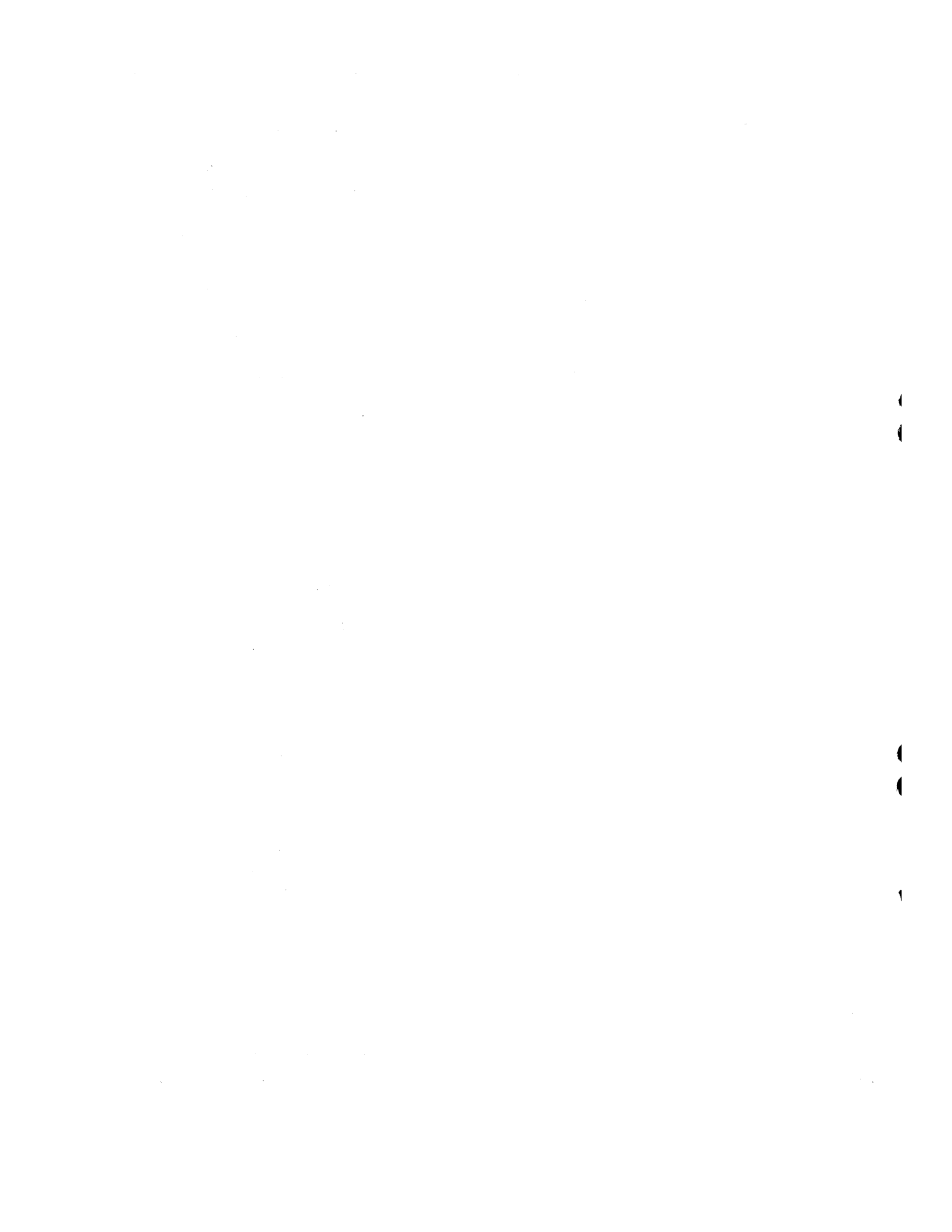
Eleventh line of faint, illegible text.

Twelfth line of faint, illegible text.



ASSY LEVEL	INDEX NO.	EQUIPMENT PART NUMBER	ITEM DESCRIPTION	MOD. LEVEL				
				A	B			
				NO. REQUIRED				
D	4-	45483700	SPINDLE AND BRAKE ASSEMBLY (S/N 9,999 AND BELOW)	1	1			
D	4-	45688900	SPINDLE AND BRAKE ASSEMBLY (S/N 10,000 THRU 12,999)	1	1			
E	-1	45483400*	SPINDLE ASSEMBLY (S/N 9,999 AND BELOW)	1	1			
E	-1	45688800*	SPINDLE ASSEMBLY (S/N 10,000 THRU 12,999)	1	1			
E	-2	92314011	BELT, DRIVE, FLAT	1	1			
E	-3	45455800	DISK, SPINDLE LOCK	1	1			
E	-4	10127380	SCREW, MACHINE, PAN HEAD, SLOTTED, 10-32 x 1/2	3	3			
E	-5	10126105	WASHER, LOCK, INTERNAL TOOTH, 10	5	5			
E	-6	93297003	SPRING, DIE	1	1			
E	-7	94047024	WASHER, SPECIAL, 0.380 ID, 0.757 OD	1	1			
E	-8	92033111	RING, RETAINING, 0.292 ID	1	1			
E	-9	45506400	SPRING, GROUND	1	1			
E	-10	10125607	WASHER, PLAIN, 10	2	2			
E	-11	10126234	SCREW, MACHINE, CAP HEAD, HEXAGON SOCKET, 10-24 x 1/2	3	3			
E	-12	10126403	WASHER, LOCK, EXTERNAL TOOTH, 10	1	1			
E	-13	10125446	SCREW, MACHINE, FLAT HEAD, SLOTTED, 6/32 x 3/8	1	1			
E	-14	45456300	BRACKET, MOUNTING, SWITCH	1	1			
E	-15	92784086	SCREW, MACHINE, PAN HEAD, SLOTTED, 4-40 x 3/8	2	2			
E	-16	93210005	WASHER, PLAIN, 4	4	4			
E	-17	10126101	WASHER, LOCK, INTERNAL TOOTH, 4	2	2			
E	-18	10127325	SCREW, MACHINE, PAN HEAD, SLOTTED, 4-40 x 3/4	2	2			
	-19		NOT USED					
E	-20	46807000	BRACKET, MOUNTING, ADJUSTMENT PRETRAVEL	1	1			
E	-21	93786008	SWITCH, INTEGRAL ACTUATOR	1	1			
E	-22	45506100	BRACKET, MOUNTING, SWITCH	1	1			
E	-23	10125103	NUT, HEXAGON, 4-40	1	1			
E	-24	10125801	WASHER, LOCK, SPRING, 4	1	1			
E	-25	45595700	RESISTOR ASSEMBLY	1	1			
F	-	93301004	TERMINAL STRIP, 2 CONTACT	1	1			
F	-	92512096	RESISTOR, FIXED, COMPOSITION, 2.2K OHM, 1/2W	1	1			
E	-26	92780088	SCREW, MACHINE, PAN HEAD, SLOTTED, 4-40 x 1/2	1	1			
E	-27	94274101	TERMINAL, QUICK CONNECT	1	1			
E	-28	45537400	SHIM, GROUND SPRING, 0.0050 THICK	AR	AR			
E	-29	45537401	SHIM, GROUND SPRING, 0.0100 THICK	AR	AR			
E	-30	45537402	SHIM, GROUND SPRING, 0.0312 THICK	AR	AR			
E	-31	45455900	STANDOFF, MOUNTING, GROUND	1	1			
	-31A		NOT USED					
E	-	45492100	SPINDLE LOCK ASSEMBLY	1	1			
F	-32	10125437	SCREW, MACHINE, FLAT HEAD, SLOTTED, 4-40 x 3/4	2	2			
F	-33	10125801	WASHER, LOCK, SPRING, 4	2	2			
F	-34	10125103	NUT, HEXAGON, 4-40	2	2			
F	-35	93786007	SWITCH, INTEGRAL ACTUATOR	1	1			
F	-36	93707001	SCREW, MACHINE, SOCKET HEAD, SHOULDER, 10-24 x 3/8	1	1			
F	-37	93248002	BEARING, THRUST	2	2			
F	-38	92071007	NUT, HEXAGON, 10-24	1	1			
F	-39	92096081	PIN, GROOVED	1	1			
F	-40	46819300	SPRING, EXTENSION	1	1			
F	-41	45456000	PAWL, SPINDLE LOCK	1	1			
F	-42	10127332	SCREW, MACHINE, PAN HEAD, SLOTTED, 6-32 x 1/4	2	2			
F	-43	10126103	WASHER, LOCK, INTERNAL TOOTH, 6	2	2			
F	-44	93210008	WASHER, PLAIN, 8	2	2			
F	-45	93210011	WASHER, PLAIN, 1/4	1	1			
F	-46	94307200	SOLENOID, 24 VDC	1	1			
F	-47	93713023	NUT, ACORN, 5/16-24	1	1			
F	-48	45456700	SPRING, COMPRESSION	1	1			
F	-49	45456500	PLATE, MOUNTING, SPINDLE LOCK	1	1			
C	-	94224612	LABEL, INFORMATION	1	1			

*REPLACE AS A UNIT



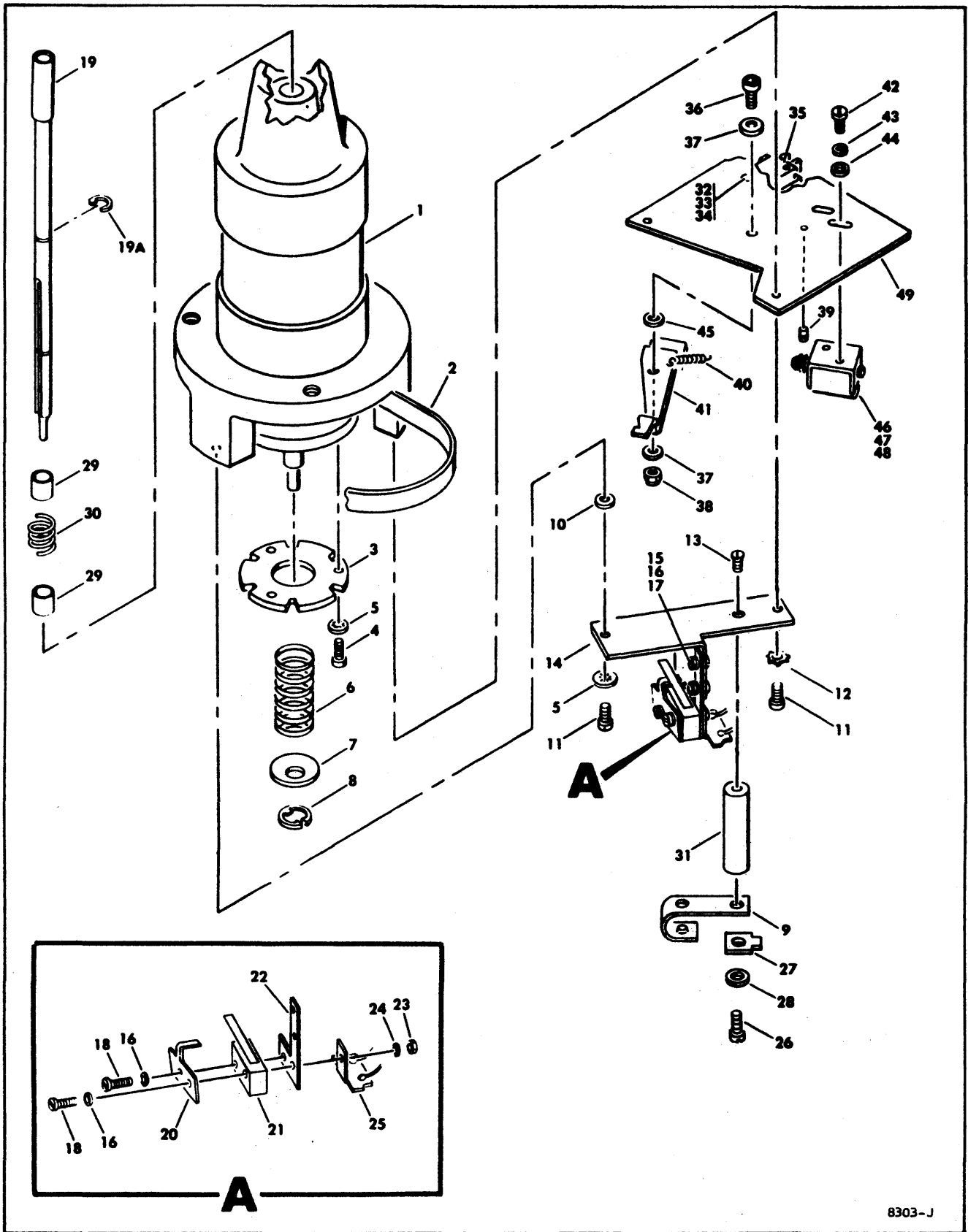
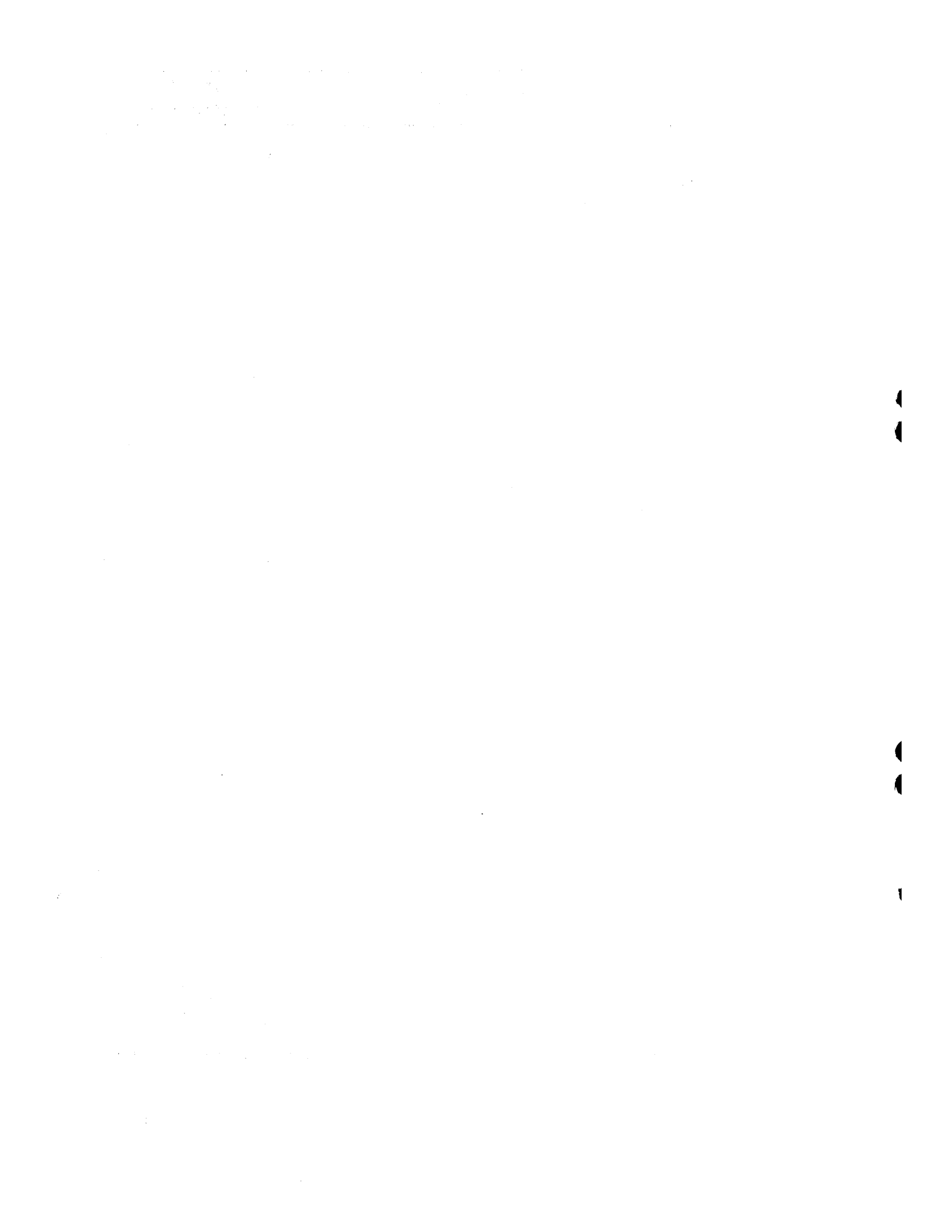


FIGURE 4A. SPINDLE AND BRAKE ASSEMBLY
(S/N 13,000 AND ABOVE)



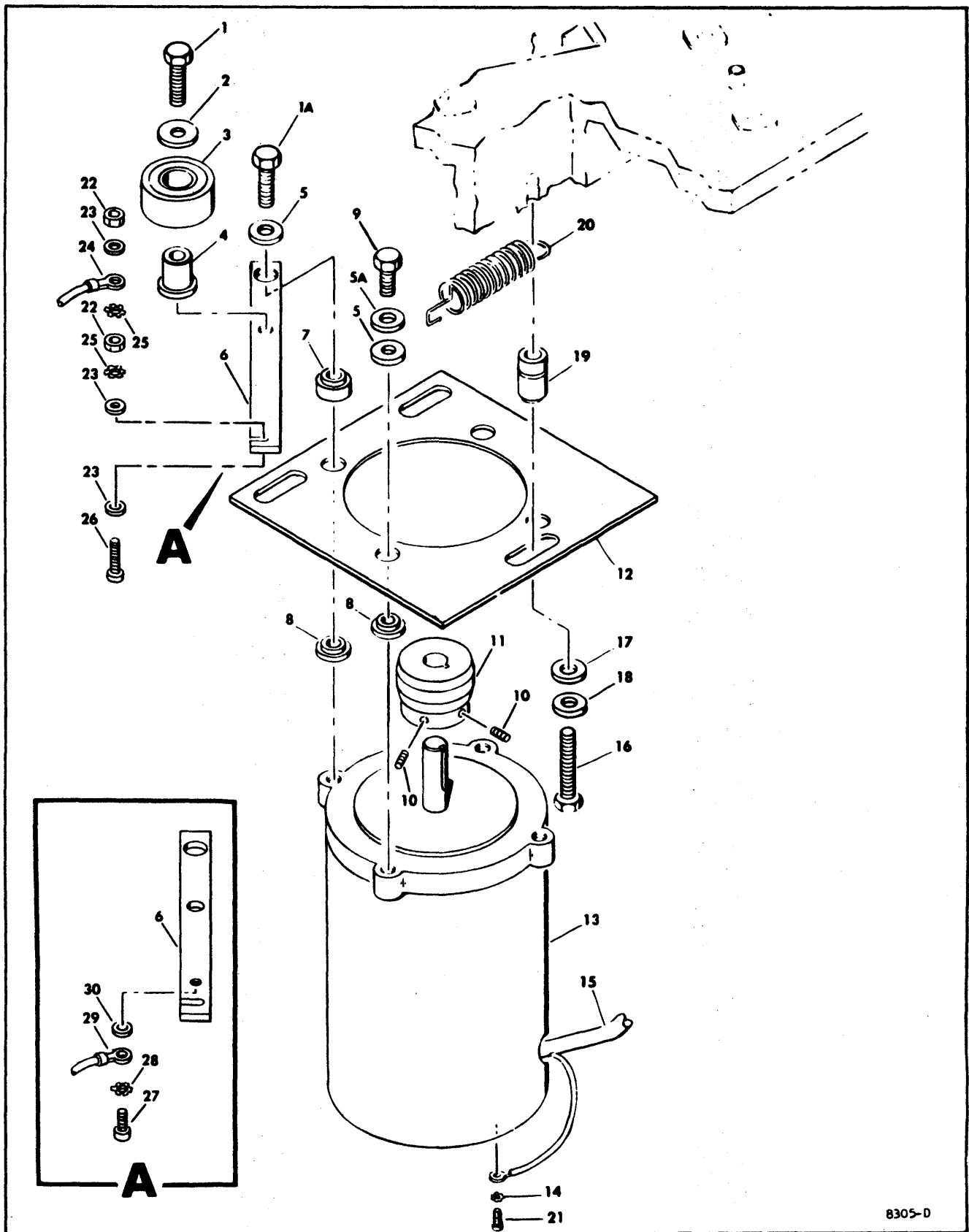
ASSY LEVEL	INDEX NO.	EQUIPMENT PART NUMBER	ITEM DESCRIPTION	MOD. LEVEL				
				A	B			
				NO. REQUIRED				
D	4A-	70556800	SPINDLE AND BRAKE ASSEMBLY (S/N 13,000 AND ABOVE)	1	1			
E	-1	70556700*	SPINDLE ASSEMBLY	1	1			
E	-2	92314011	BELT, DRIVE, FLAT	1	1			
E	-3	45455800	DISK, SPINDLE LOCK	1	1			
E	-4	10127380	SCREW, MACHINE, PAN HEAD, SLOTTED, 10-32 x 1/2	3	3			
E	-5	10126105	WASHER, LOCK, INTERNAL TOOTH, 10	5	5			
E	-6	93297003	SPRING, DIE	1	1			
E	-7	45679200	WASHER, CUP	1	1			
E	-8	92033111	RING, RETAINING 0.292 ID	1	1			
E	-9	46610000	SPRING, GROUND	1	1			
E	-10	94047039	WASHER, SPECIAL	1	1			
E	-11	10126234	SCREW, MACHINE, CAP HEAD, HEXAGON SOCKET, 10-24 x 1/2	3	3			
E	-12	10126403	WASHER, LOCK, EXTERNAL TOOTH, 10	1	1			
E	-13	10125446	SCREW, MACHINE, FLAT HEAD, SLOTTED, 6/32 x 3/8	1	1			
E	-14	70530000	BRACKET, MOUNTING, SWITCH	1	1			
E	-15	92784086	SCREW, MACHINE, PAN HEAD, SLOTTED, 4-40 x 3/8	2	2			
E	-16	93210005	WASHER, PLAIN, 4	4	4			
E	-17	10126101	WASHER, LOCK, INTERNAL TOOTH, 4	2	2			
E	-18	10127325	SCREW, MACHINE, PAN HEAD, SLOTTED, 4-40 x 3/4	1	1			
E	-19	45488800	LOCKSHAFT, SPINDLE	1	1			
E	-19A	92033113	RING, RETAINING	1	1			
E	-20	46807000	BRACKET, MOUNTING, ADJUSTMENT PRETRAVEL	1	1			
E	-21	93786008	SWITCH, INTEGRAL ACTUATOR	1	1			
E	-22	45506100	BRACKET, MOUNTING, SWITCH	1	1			
E	-23	10125103	NUT, HEXAGON, 4-40	1	1			
E	-24	10125801	WASHER, LOCK, SPRING, 4	1	1			
E	-25	45595700	RESISTOR ASSEMBLY	1	1			
E	-	93301004	TERMINAL STRIP, 2 CONTACT	1	1			
F	-	92512096	RESISTOR, FIXED, COMPOSITION, 2.2K OHM, 1/2W	1	1			
E	-26	10127335	SCREW, MACHINE, PAN HEAD, SLOTTED, 6-32 x 1/2	1	1			
E	-27	94274101	TERMINAL, QUICK CONNECT	1	1			
E	-28	10125605	WASHER, PLAIN, 6	1	1			
E	-29	41263702	BUSHING, NYLON	2	2			
E	-30	41263800	SPRING, COMPRESSION	1	1			
E	-31	45435902	STANDOFF, MOUNTING, GROUND	1	1			
E	-	45492100	SPINDLE LOCK ASSEMBLY	1	1			
F	-32	10125437	SCREW, MACHINE, FLAT HEAD, SLOTTED, 4-40 x 3/4	2	2			
F	-33	10125801	WASHER, LOCK, SPRING, 4	2	2			
F	-34	10125103	NUT, HEXAGON, 4-40	2	2			
F	-35	93786007	SWITCH, INTEGRAL ACTUATOR	1	1			
F	-36	93707001	SCREW, MACHINE, SOCKET HEAD, SHOULDER, 10-24 x 3/8	1	1			
F	-37	93248002	BEARING, THRUST	2	2			
F	-38	92071007	NUT, HEXAGON, 10-24	1	1			
F	-39	92096081	PIN, GROOVED	1	1			
F	-40	46819300	SPRING, EXTENSION	1	1			
F	-41	45456000	PAWL, SPINDLE LOCK	1	1			
F	-42	10127332	SCREW, MACHINE, PAN HEAD, SLOTTED, 6-32 x 1/4	2	2			
F	-43	10126103	WASHER, LOCK, INTERNAL TOOTH, 6	2	2			
F	-44	93210008	WASHER, PLAIN, 8	2	2			
F	-45	93210011	WASHER, PLAIN, 1/4	1	1			
F	-46	94307200	SOLENOID, 24 VDC	1	1			
F	-47	93713023	NUT, ACORN, 5/16-24	1	1			
F	-48	45456700	SPRING, COMPRESSION	1	1			
F	-49	45456500	PLATE, MOUNTING, SPINDLE LOCK	1	1			
C	-	94224612	LABEL, INFORMATION	1	1			

*REPLACE AS A UNIT

1

1

1



8305-D

FIGURE 5. MOTOR AND IDLER ASSEMBLY

Faint, illegible text at the top of the page, possibly a header or title.

;

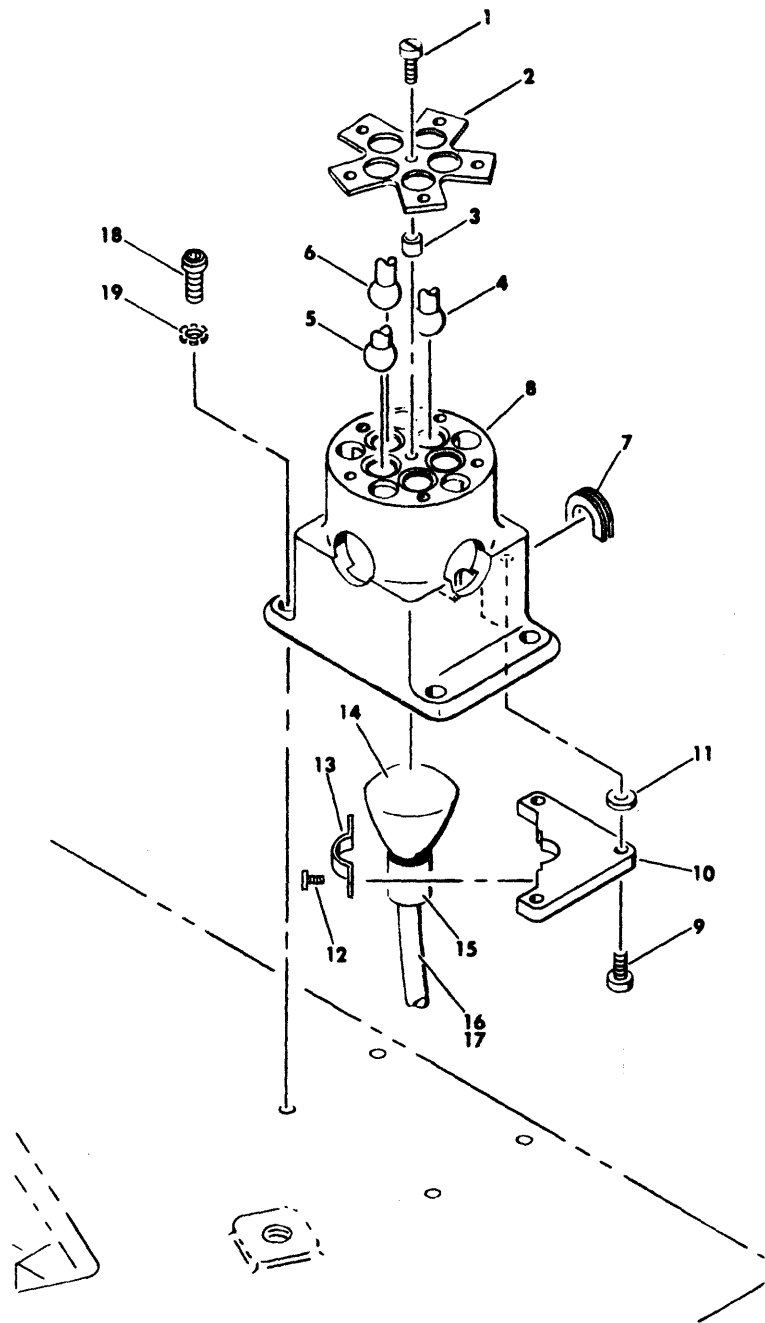
;

ASSY LEVEL	INDEX NO.	EQUIPMENT PART NUMBER	ITEM DESCRIPTION	MOD. LEVEL				
				A	B			
				NO. REQUIRED				
D	5-	45586009	MOTOR AND IDLER ASSEMBLY, 60 HZ (S/N 12,999 AND BELOW)	1	-			
D	5-	70544809	MOTOR AND IDLER ASSEMBLY, 60 HZ (S/N 13,000 AND ABOVE)	1	-			
D	5-	45586003	MOTOR AND IDLER ASSEMBLY, 50 HZ (S/N 12,999 AND BELOW)	-	1			
D	5-	70544803	MOTOR AND IDLER ASSEMBLY, 50 HZ (S/N 13,000 AND ABOVE)	-	1			
E	-1	10126531	SCREW, MACHINE, HEXAGON CAP HEAD, 3/8-16 x 1-1/4	1	1			
E	-1A	10126532	SCREW, MACHINE, HEXAGON CAP HEAD, 3/8-16 x 1-1/2	1	1			
E	-2	94047015	WASHER, SPECIAL, 0.39 ID, 1.00 OD	1	1			
E	-3	93528004	BEARING, BALL	1	1			
E	-4	41266500	HUB, IDLER, BEARING	1	1			
E	-5	41267800	WASHER, MOTOR MOUNT	4	4			
E	-5A	93210013	WASHER, FLAT, 3/8	3	3			
E	-6	41266400	LEVER, IDLER (S/N 12,999 AND BELOW)	1	1			
E	-6	46758400	LEVER, IDLER (S/N 13,000 AND ABOVE)	1	1			
E	-7	45587400	SPACER, IDLER LEVER	1	1			
E	-8	41267900	INSULATOR, MOTOR MOUNT	4	4			
E	-9	10126528	SCREW, MACHINE, HEXAGON CAP HEAD, 3/8-16 x 3/4	3	3			
E	-10	93071408	SCREW, SET, SOCKET HEAD, CUP POINT, 1/4-20 x 3/8	2	2			
E	-11	70544706	PULLEY, DRIVER, 60 HZ	1	-			
E	-11	70544703	PULLEY, DRIVER, 50 HZ	-	1			
E	-12	41266000	PLATE, MOTOR MOUNT	1	1			
E	-	41265800	DRIVE MOTOR ASSEMBLY, 220V, 50/60 HZ	1	1			
F	-13	94219600	MOTOR, END MOUNT (WITH KEY, P/N 94307400)	1	1			
F	-14	10126402	WASHER, LOCK, EXTERNAL TOOTH, 8	1	1			
F	-15	41277300	CABLE ASSEMBLY, W1 (SEE FIGURE 21)	1	1			
D	-16	92855221	SCREW, MACHINE, HEXAGON HEAD, 3/8-16 x 2	3	3			
D	-17	41267800	WASHER, MOTOR MOUNT	3	3			
D	-18	93210013	WASHER, FLAT, 3/8	3	3			
D	-19	45587300	SPACER, MOTOR MOUNT	3	3			
D	-20	41257600	SPRING, IDLER	1	1			
D	-21	10127120	SCREW, MACHINE, PAN HEAD, PHILLIPS, 8-32 x 1/4	1	1			
D	-22	10125103*	NUT, HEXAGON, 4-40	2	2			
D	-23	10125603*	WASHER, FLAT, 4	3	3			
D	-24	94281400*	CABLE, GROUND	1	1			
D	-25	10126400*	WASHER, LOCK, EXTERNAL TOOTH, 4	2	2			
D	-26	10127324*	SCREW, MACHINE, PAN HEAD, SLOTTED, 4-40 x 5/8	1	1			
D	-27	10127347	SCREW, MACHINE, PAN HEAD, SLOTTED, 8-32 x 3/8 (S/N 13,000 AND ABOVE)	1	1			
D	-28	10126402	WASHER, LOCK, EXTERNAL TOOTH, 8 (S/N 13,000 AND ABOVE)	1	1			
D	-29	94281400	CABLE, GROUND (S/N 13,000 AND ABOVE)	1	1			
D	-30	10125606	WASHER, FLAT, 8 (S/N 13,000 AND ABOVE)	1	1			

*FCO KIT PER FCO PE12167 (S/N 12,999 AND BELOW)

1

2



8331-A

FIGURE 6. LAMP HOUSING ASSEMBLY



ASSY LEVEL	INDEX NO.	EQUIPMENT PART NUMBER	ITEM DESCRIPTION	MOD. LEVEL				
				A	B			
				NO. REQUIRED				
C	6-	45495001	LAMP HOUSING ASSEMBLY	1	1			
D	-1	10127333	SCREW, MACHINE, PAN HEAD, SLOTTED, 6-32 x 5/16	6	6			
D	-2	45494800	CLAMP	1	1			
D	-3	93109209	STANDOFF, SPACER, ROUND	1	1			
D	-4	94301601	OPTIC, FIBER	1	1			
D	-5	94301600	OPTIC, FIBER	2	2			
D	-6	94301602	OPTIC, FIBER	2	2			
D	-7	92019008	GROMMET, RUBBER	1	1			
D	-8	45495100	HOUSING, LAMP	1	1			
D	-9	93342161	SCREW, MACHINE, ROUND HEAD, SLOTTED, NYLON, 6-32 x 7/16	3	3			
D	-10	45495700	MOUNT, BULB	1	1			
D	-11	92980003	WASHER, FIBRE	3	3			
D	-12	10127320	SCREW, MACHINE, PAN HEAD, SLOTTED, 4-40 x 1/4	2	2			
D	-13	45494900	STRAP, BULB	1	1			
D	-14	92560043	BULB, LIGHT, 32W, 6V	1	1			
D	-15	94117202	LAMPHOLDER	1	1			
D	-16	93948004	CONNECTOR, PLUG, 2 PIN, P36	1	1			
D	-17	93942002	CONTACT, PIN	2	2			
C	-18	10126234	SCREW, MACHINE, CAP HEAD, SOCKET, 10-24 x 1/2	4	4			
C	-19	10126403	WASHER, LOCK, EXTERNAL TOOTH, 10	4	4			

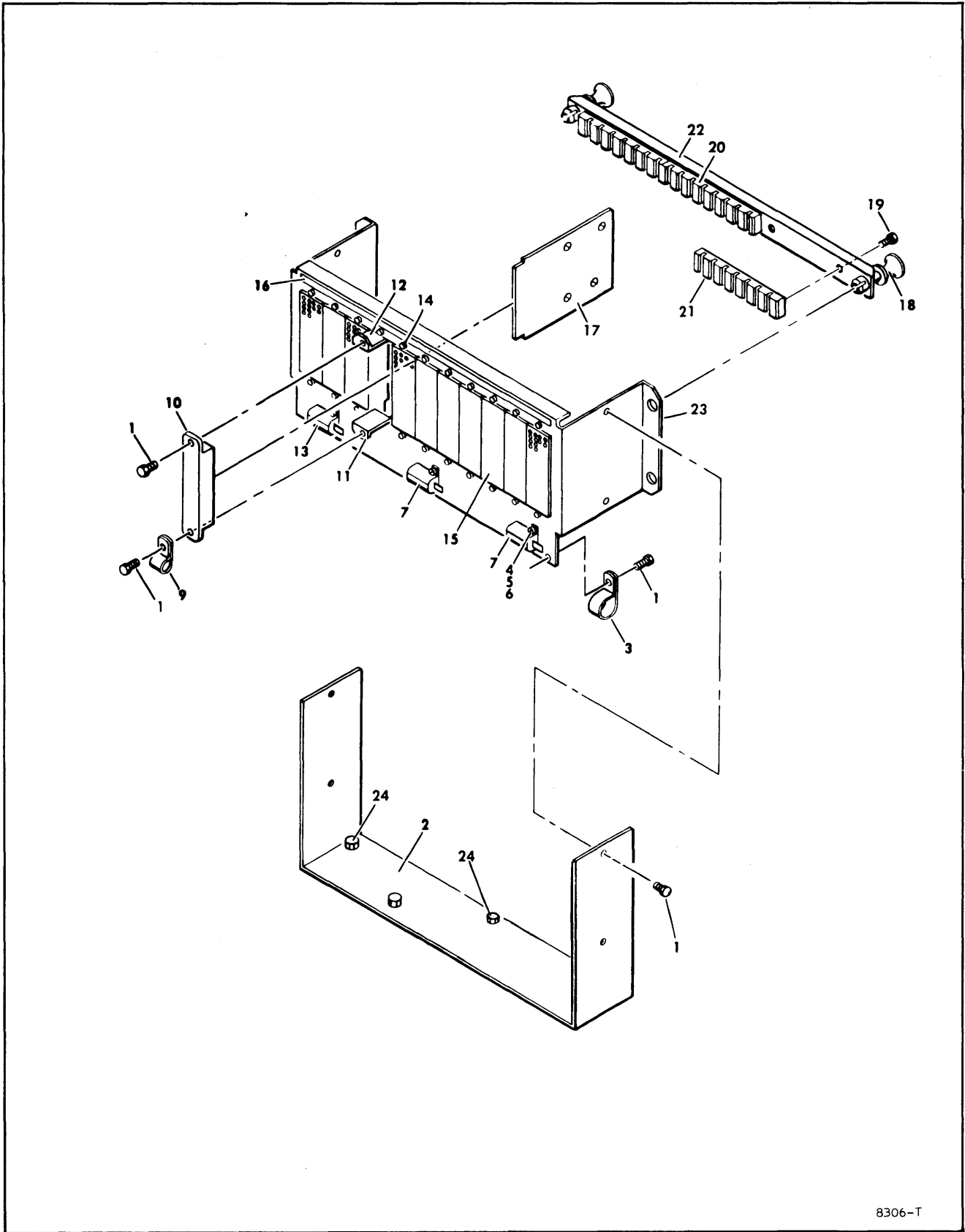


1

2

3

ASSY LEVEL	INDEX NO.	EQUIPMENT PART NUMBER	ITEM DESCRIPTION	MOD. LEVEL			
				A	B		
				NO. REQUIRED			
C	7-	45669200	BRUSH ASSEMBLY, 60 HERTZ	1	-		
C	7-	45669201	BRUSH ASSEMBLY, 50 HERTZ	-	1		
D	-1	92033038	RING, RETAINING	4	4		
D	-2	45497200	ARM, BRUSH	1	1		
D	-3	93403045	PLUNGER, BALL, 10-32	1	1		
D	-4	45497300	HOLDER, BRUSH	1	1		
D	-5	40024500	BRUSH, DISK	5	5		
D	-6	93071245	SCREW, SET, SOCKET HEAD, CUP POINT, 6-32 x 3/16	6	6		
D	-7	40023200	STOP, BRUSH POSITIONING	1	1		
D	-8	10125608	WASHER, PLAIN, 1/4	1	1		
D	-9	10127333	SCREW, MACHINE, PAN HEAD, SLOTTED, 6-32 x 5/16	4	4		
D	-10	10125605	WASHER, PLAIN, 6	2	2		
D	-11	40022700	LINK, BRUSH MOTOR	1	1		
D	-12	41274005	BEARING, FLANGED	2	2		
D	-13	40022900	LINK, INTERCONNECTING	1	1		
D	-14	40023000	BEARING, FLANGED	1	1		
D	-15	94205791	SPRING, COMPRESSION	1	1		
D	-16	93564002	WASHER, NYLON	1	1		
D	-17	40022800	LINK, BRUSH SHAFT	1	1		
D	-18	92373006	BEARING, NYLINER, SNAP-IN	1	1		
D	-19	10127314	SCREW, MACHINE, PAN HEAD, SLOTTED, 2-56 x 1/2	2	2		
D	-20	10125602	WASHER, PLAIN, 2	2	2		
D	-21	92549001	SWITCH	1	1		
D	-22	93179000	ACTUATOR, SWITCH	1	1		
D	-23	10127323	SCREW, MACHINE, PAN HEAD, SLOTTED, 4-40 x 1/2	1	1		
D	-24	10125103	NUT, HEXAGON, 4-40	2	2		
D	-25	92172000	BUMPER, RUBBER	1	1		
D	-26	10125105	NUT, HEXAGON, 6-32	2	2		
D	-27	10126103	WASHER, LOCK, INTERNAL TOOTH, 6	2	2		
D	-	40848600	ARC SUPPRESSOR ASSEMBLY	1	1		
E	-28	92496095	CAPACITOR, FIXED, PLASTIC, 47 UF, 100V, C203	1	1		
E	-29	92512351	RESISTOR, FIXED, COMPOSITION, 100 OHM, 1/2W, R203	1	1		
E	-30	10127319	SCREW, MACHINE, PAN HEAD, SLOTTED, 4-40 x 3/16	3	3		
E	-31	10126101	WASHER, LOCK, INTERNAL TOOTH, 4	3	3		
E	-32	92707001	TERMINAL, INSULATED	3	3		
E	-33	40848700	BRACKET, MOUNTING, ARM STOP	1	1		
D	-34	10127102	SCREW, MACHINE, PAN HEAD, PHILLIPS, 4-40 x 1/4	2	2		
D	-35	94296305	MOTOR, AC TIMING, 60 HERTZ	1			
D	-35	94296306	MOTOR, AC TIMING, 50 HERTZ		1		
D	-36	45492600	SHAFT, BRUSH ARM	1	1		
D	-37	45489100	BASE, DISK CLEANER	1	1		
D	-	93948003	CONNECTOR, PLUG, 3 PIN, J11	1	1		
D	-	93942001	CONTACT, PIN, 22-18 WIRE RANGE	1	1		
C	-38	93128334	SCREW, MACHINE, PAN HEAD, SLOTTED, 10-24 x 5/8	3	3		
C	-39	10126507	WASHER, PLAIN, 10	2	2		
C	-40	10126403	WASHER, LOCK, EXTERNAL TOOTH, 10	2	2		



8306-T

FIGURE 8. READ/WRITE LOGIC CHASSIS ASSEMBLY

ASSY LEVEL	INDEX NO.	EQUIPMENT PART NUMBER	ITEM DESCRIPTION	MOD. LEVEL				
				A	B			
				NO. REQUIRED				
C	8-	46810000	READ/WRITE LOGIC CHASSIS ASSEMBLY	1	1			
D	-1	93592162	SCREW, MACHINE, HEXAGON WASHER HEAD, SELF THREAD, 6-32 x 3/8	6	6			
D	-2	46807900	BRACKET, READ/WRITE CHASSIS	1	1			
D	-3	92602007	CLAMP, CABLE, NYLON, 0.52 ID	1	1			
D	-4	10127312	SCREW, MACHINE, PAN HEAD, SLOTTED, 2-56 x 5/16	6	6			
D	-5	93206001	WASHER, LOCK, EXTERNAL TOOTH, 2	6	6			
D	-6	10125102	NUT, HEXAGON, 2-56	6	6			
D	-7	94267100	RESISTOR, FIXED, WIREWOUND, 270 OHM, 10W, R100, R101	2	2			
D	-8		NOT USED	-	-			
D	-9	92602005	CLAMP, CABLE, NYLON	1	1			
D	-10	45519200	DUO-TYNE CONNECTOR ASSEMBLY	1	1			
E	-	94273895	CONNECTOR, RECEPTACLE, 14 SOCKET	1	1			
D	-11	41281902	CLIP, CONNECTOR MOUNTING	1	1			
D	-12	41281901	CLIP, CONNECTOR MOUNTING	1	1			
D	-13	94267105	RESISTOR, FIXED, WIREWOUND, 567 OHM, 10W, R102	1	1			
D	-14	93590126	SCREW, MACHINE, PAN HEAD, PHILLIPS, SELF THREAD, 5-40 x 1/2	22	22			
D	-15	10001800	CONNECTOR, RECEPTACLE, 30 SOCKET	10	10			
D	-16	94210203	STRIP, MARKER	1	1			
D	-17	41297100*	COMPONENT ASSEMBLY	1	1			
D	-	46809200	CARD SPACER ASSEMBLY	3	3			
E	-18	93783103	FASTENER, PUSH-PULL	2	2			
E	-19	93592158	SCREW, MACHINE, HEXAGON WASHER HEAD, SELF THREAD, 6-32 x 1/4	5	5			
E	-20	41061900	SPACER, CARD	2	2			
E	-21	46809300	SPACER, CARD, MODIFIED	1	1			
E	-22	46809400	BAR, CARD SPACE	1	1			
D	-	94284900	CABLE, GROUND, 3" LONG	8	8			
D	-	94284901	CABLE, GROUND, 4" LONG	1	1			
D	-23	46800400	CHASSIS, READ/WRITE LOGIC	1	1			
D	-	50011903	CARD, LOGIC, TYPE AND	1	1			
D	-	50011612	CARD, LOGIC, TYPE AMM	1	1			
D	-	50011616	CARD, LOGIC, TYPE AMQ	1	1			
D	-	50013701	CARD, LOGIC, TYPE ATB	1	1			
D	-	50059900	CARD, LOGIC, TYPE BFA	1	1			
D	-	50061100	CARD, LOGIC, TYPE BJA	1	1			
D	-	50017602	CARD, LOGIC, TYPE EUC	1	1			
D	-	50052400	CARD, LOGIC, TYPE GGA	1	1			
D	-	50050601	CARD, LOGIC, TYPE GAB	1	1			
D	-	50020602	CARD, LOGIC, TYPE ISC	1	1			
D	-	50019405	CARD, LOGIC, TYPE IOF	5	5			
D	-	50030200	CARD, LOGIC, TYPE ULA	1	1			
D	-	50029901	CARD, LOGIC, TYPE UKB	1	1			
D	-	94284903	CABLE, GROUND 4" LONG	2	2			
C	-24	93592238	SCREW, MACHINE, HEXAGON WASHER HEAD, SELF THREAD, 10-24 x 3/8	3	3			

*REPLACE AS A UNIT

Faint, illegible text at the top of the page, possibly a header or title.

;

;

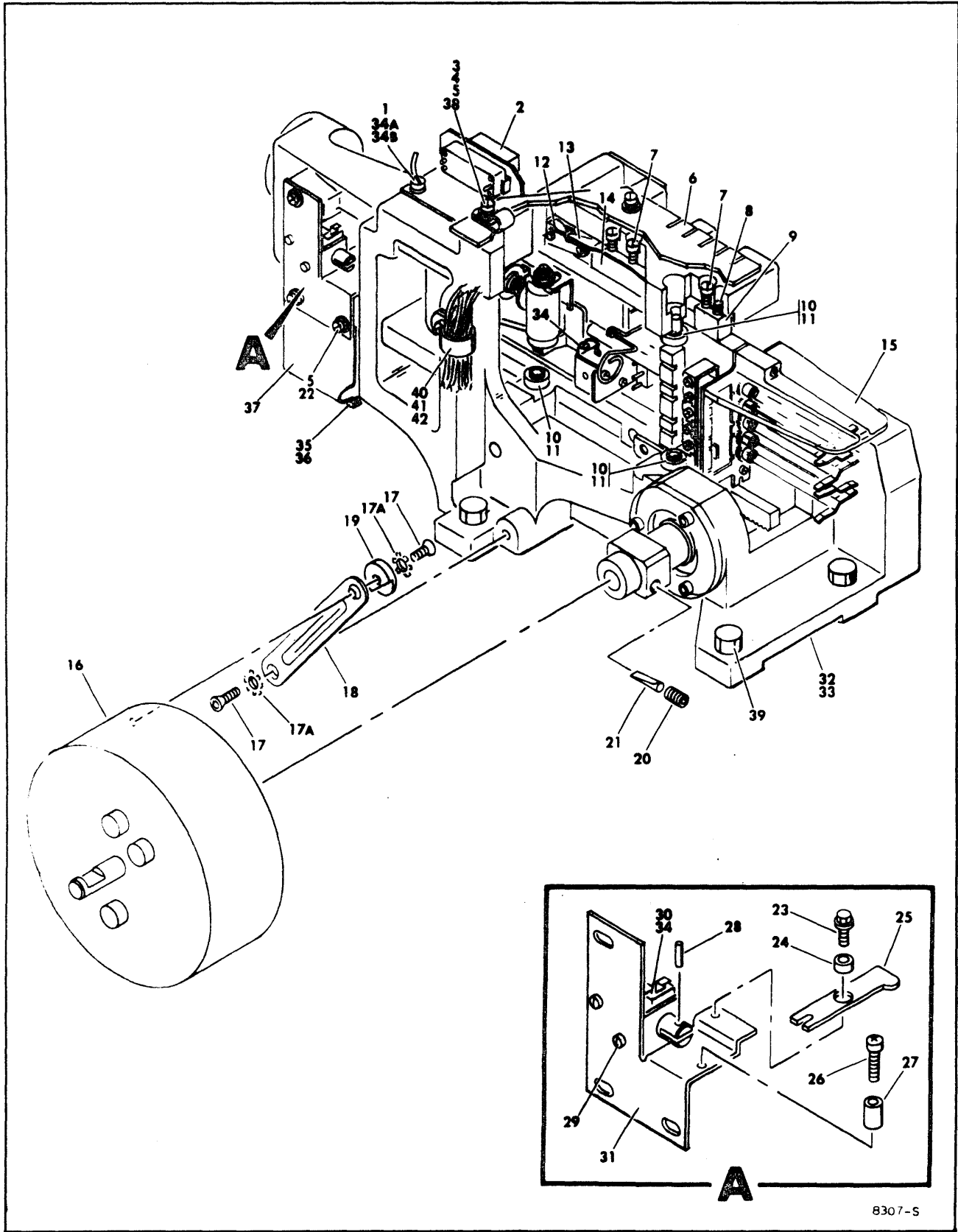


FIGURE 9. ACTUATOR ASSEMBLY (SHEET 1 OF 2)

8307-S



ASSY LEVEL	INDEX NO.	EQUIPMENT PART NUMBER	ITEM DESCRIPTION	MOD. LEVEL			
				A	B		
				NO. REQUIRED			
C	9-	45468309	ACTUATOR ASSEMBLY (SHEET 1 OF 2)	1	1		
D	-1	93787162	SCREW, MACHINE, PAN HEAD, SLOTTED, 6-32 x 3/8	2	2		
D	-2	45445900	CABLE ASSEMBLY, ACTUATOR	1	1		
E	-	93960016	CONNECTOR, RECEPTACLE, 26 PIN, J230	1	1		
E	-	93989005	SOCKET, CENTER GUIDE	1	1		
E	-	93989004	PIN, CENTER GUIDE	1	1		
E	-	93989020	CATCH, SPRING	2	2		
E	-	45443500	CABLE ASSEMBLY, W11 (SEE FIGURE 21)	1	1		
E	-	41292200	BRACKET, MOUNTING, CONNECTOR	1	1		
D	-3	10127349	SCREW, MACHINE, PAN HEAD, SLOTTED, 8-32 x 5/8	3	3		
D	-4	10126104	WASHER, LOCK, INTERNAL TOOTH, 8	3	3		
D	-5	10125606	WASHER, PLAIN, 8	6	6		
D	-6	45491900*	COMPONENT ASSEMBLY, DIODE BOARD	1	1		
D	-7	93787206	SCREW, MACHINE, PAN HEAD, SLOTTED, 8-32 x 3/4	3	3		
D	-8	93095329	SCREW, SET, SOCKET HEAD, FLAT POINT, 10-24 x 1/2	1	1		
D	-9	41284000	BLOCK, RETAINING-CARRIAGE	1	1		
D	-10	94217200	BEARING, BALL, EXTERNAL, INNER RACE	3	3		
D	-11	92226045	PIN, DOWEL, 3/16 x 1/2	3	3		
D	-12	41259300	ENDPLATE BEARING ASSEMBLY	1	1		
E	-	94217200	BEARING, BALL	1	1		
E	-	41265100	ENDPLATE, ROLLER	2	2		
E	-	41265200	PIN, SPACER	2	2		
E	-	41265300	PIN, SPRING SUPPORT	1	1		
D	-13	94306200	SPRING, DOUBLE LOADING	1	1		
D	-14	45530500	BLOCK MOUNTING, DOUBLE ROLLER	1	1		
D	-15	41252403	CARRIAGE ASSEMBLY (SEE FIGURE 10)	1	1		
D	-16	94291600	MOTOR, PRINTED CIRCUIT	1	1		
D	-17	10126011	SCREW, MACHINE, FLAT HEAD, HEXAGON SOCKET, 8-32 x 1/2	2	2		
D	-17A	93201003	WASHER, CSK, EXTERNAL TOOTH, 8	2	2		
D	-18	45469000	ARM, TORQUE	1	1		
D	-19	45469100	WASHER, TORQUE	1	1		
D	-20	93100367	SCREW, SET, SOCKET HEAD, FLAT POINT, 1/4-28 x 3/8	1	1		
D	-21	41295700	WEDGE, LOCKING	1	1		
D	-22	93787202	SCREW, MACHINE, PAN HEAD, SLOTTED, 8-32 x 1/2	3	3		
D	-	45497500	CAM LATCHING ASSEMBLY	1	1		
E	-23	93592162	SCREW, MACHINE, HEXAGON WASHER HEAD, 6-32 x 3/8	1	1		
E	-24	93109309	STANDOFF, SPACER, ROUND, 0.125 LONG	1	1		
E	-25	41257100	LATCH, CAM	1	1		
E	-26	93590164	SCREW, MACHINE, PAN HEAD, PHILLIPS, 6-32 x 1/2	1	1		
E	-27	93109311	STANDOFF, SPACER, ROUND, 0.375 LONG	1	1		
E	-28	92031055	PIN, SPIRAL, 3/32 x 3/8	1	1		
E	-29	93787156	SCREW, MACHINE, PAN HEAD, SLOTTED, 6-32 x 3/16	2	2		
E	-30	94309600	SOLENOID, 20 VDC	1	1		
E	-31	46807300	BRACKET, MOUNTING, CAM LATCH	1	1		
D	-32	94208500	LABEL	1	1		
D	-33	46060000	MOUNT, CARRIAGE (S/N 13,000 AND ABOVE)	1	1		
D	-33	45468200	MOUNT, CARRIAGE (S/N 12,999 AND BELOW)	1	1		
D	-34	45444600	DIODE ASSEMBLY	2	2		
D	-34A	10126103	WASHER, LOCK, INTERNAL TOOTH, 6	1	1		
D	-34B	94281400	CABLE, GROUND, 8-1/4 LONG	1	1		
D	-35	92549003	SWITCH, SPDT	1	1		
D	-36	93179000	ACTUATOR, RETRACT SWITCH	1	1		
D	-37	45585300	BRACKET, RETRACT SWITCH	1	1		
C	-38	92602003	CLAMP, CABLE, NYLON, 0.24 ID	1	1		
C	-39	10126530	SCREW, MACHINE, HEXAGON CAP HEAD, 3/8-16 x 1	4	4		
C	-40	10127347	SCREW, MACHINE, PAN HEAD, SLOTTED, 8-32 x 3/8	1	1		
C	-41	92602008	CLAMP, CABLE, NYLON	1	1		
C	-42	45497801	WIRING HARNESS ASSEMBLY, ACTUATOR	1	1		
D	-	94219895	CONNECTOR, PLUG, 14 DUO-TYNE CONTACT	1	1		
D	-	94219902	CONTACT, DUO-TYNE FLAG, 26 THRU 22 WIRE RANGE	3	3		
D	-	94219903	CONTACT, DUO-TYNE FLAG, 22 THRU 18 WIRE RANGE	11	11		

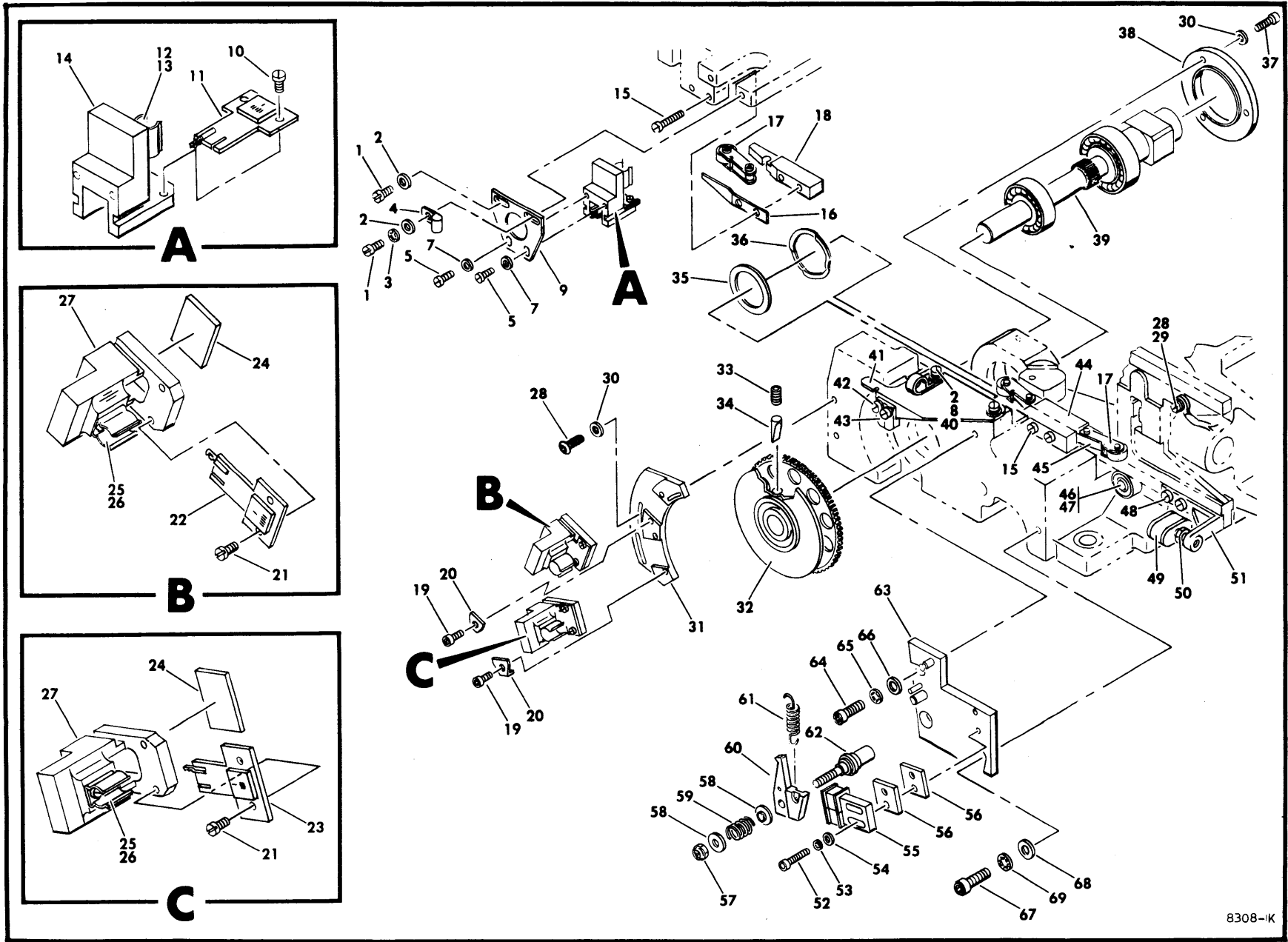
*REPLACE AS A UNIT.



ASSY LEVEL	INDEX NO.	EQUIPMENT PART NUMBER	ITEM DESCRIPTION	MOD. LEVEL				
				A	B			
				NO. REQUIRED				
C	0-	45468309	ACTUATOR ASSEMBLY (SHEET 1 OF 2)	1	1			
D	-1	93787162	SCREW, MACHINE, PAN HEAD, SLOTTED, 6-32 x 3/8	2	2			
D	-2	45445900	CABLE ASSEMBLY, ACTUATOR	1	1			
E	-	93960016	CONNECTOR, RECEPTACLE, 26 PIN, J230	1	1			
E	-	93989005	SOCKET, CENTER GUIDE	1	1			
E	-	93989004	PIN, CENTER GUIDE	1	1			
E	-	93989020	CATCH, SPRING	2	2			
E	-	45443500	CABLE ASSEMBLY, W11 (SEE FIGURE 21)	1	1			
E	-	41292200	BRACKET, MOUNTING, CONNECTOR	1	1			
D	-3	10127749	SCREW, MACHINE, PAN HEAD, SLOTTED, 8-32 x 5/8	3	3			
D	-4	10126104	WASHER, LOCK, INTERNAL TOOTH, 8	3	3			
D	-5	10125608	WASHER, PLAIN, 8	6	6			
D	-6	45491900*	COMPONENT, ASSEMBLY, DIODE BOARD	1	1			
D	-7	93787206	SCREW, MACHINE, PAN HEAD, SLOTTED, 8-32 x 3/4	3	3			
D	-8	93095329	SCREW, SET, SOCKET HEAD, FLAT POINT, 10-24 x 1/2	1	1			
D	-9	41284000	BLOCK, RETAINING-CARRIAGE	1	1			
D	-10	94217200	BEARING, BALL, EXTERNAL, INNER RACE	3	3			
D	-11	92226045	PIN, DOWEL, 3/16 x 1/2	3	3			
E	-12	41259300	ENDPLATE BEARING ASSEMBLY	1	1			
E	-	94217200	BEARING, BALL	1	1			
E	-	41265100	ENDPLATE, ROLLER	2	2			
E	-	41265200	PIN, SPACER	2	2			
E	-	41265300	PIN, SPRING SUPPORT	1	1			
D	-13	94306200	SPRING, DOUBLE LOADING	1	1			
D	-14	45530500	BLOCK MOUNTING, DOUBLE ROLLER	1	1			
D	-15	41252403	CARRIAGE ASSEMBLY (SEE FIGURE 10)	1	1			
D	-16	94291600	MOTOR, PRINTED CIRCUIT	1	1			
D	-17	10126011	SCREW, MACHINE, FLAT HEAD, HEXAGON SOCKET, 8-32 x 1/2	2	2			
D	-17A	93201003	WASHER, CSK, EXTERNAL TOOTH, 8	2	2			
D	-18	45469000	ARM, TORQUE	1	1			
D	-19	45469100	WASHER, TORQUE	1	1			
D	-20	93100367	SCREW, SET, SOCKET HEAD, FLAT POINT, 1/4-28 x 3/8	1	1			
D	-21	41295700	WEDGE, LOCKING	1	1			
D	-22	93787202	SCREW, MACHINE, PAN HEAD, SLOTTED, 8-32 x 1/2	3	3			
D	-	45497500	CAM LATCHING ASSEMBLY	1	1			
E	-23	93592162	SCREW, MACHINE, HEXAGON WASHER HEAD, 6-32 x 3/8	1	1			
E	-24	93109309	STANDOFF, SPACER, ROUND, 0.125 LONG	1	1			
E	-25	41257100	LATCH, CAM	1	1			
E	-26	93590164	SCREW, MACHINE, PAN HEAD, PHILLIPS, 6-32 x 1/2	1	1			
E	-27	93109311	STANDOFF, SPACER, ROUND, 0.375 LONG	1	1			
E	-28	92031055	PIN, SPIRAL, 3/32 x 3/8	1	1			
E	-29	93787156	SCREW, MACHINE, PAN HEAD, SLOTTED, 6-32 x 3/16	2	2			
E	-30	94309600	SOLENOID, 20 VDC	1	1			
E	-31	46807300	BRACKET, MOUNTING, CAM LATCH	1	1			
D	-32	94208500	LABEL	1	1			
D	-33	45468200	MOUNT, CARRIAGE (MACHINING)	1	1			
D	-34	45444600	DIODE ASSEMBLY	2	2			
D	-34A	10126103	WASHER, LOCK, INTERNAL TOOTH, 6	1	1			
D	-34B	94281400	CABLE, GROUND, 8-1/4 LONG	1	1			
D	-35	92549003	SWITCH, SPDT	1	1			
D	-36	93179000	ACTUATOR, RETRACT SWITCH	1	1			
D	-37	45535300	BRACKET, RETRACT SWITCH	1	1			
C	-38	92602003	CLAMP, CABLE, NYLON, 0.24 ID	1	1			
C	-39	10126530	SCREW, MACHINE, HEXAGON CAP HEAD, 3/8-16 x 1	4	4			
C	-40	10127347	SCREW, MACHINE, PAN HEAD, SLOTTED, 8-32 x 3/8	1	1			
C	-41	92602008	CLAMP, CABLE, NYLON	1	1			
C	-42	45497801	WIRING HARNESS ASSEMBLY, ACTUATOR	1	1			
D	-	94219895	CONNECTOR, PLUG, 14 DUO-TYNE CONTACT	1	1			
D	-	94219902	CONTACT, DUO-TYNE FLAG, 26 THRU 22 WIRE RANGE	3	3			
D	-	94219903	CONTACT, DUO-TYNE FLAG, 22 THRU 18 WIRE RANGE	11	11			

alte Rev.

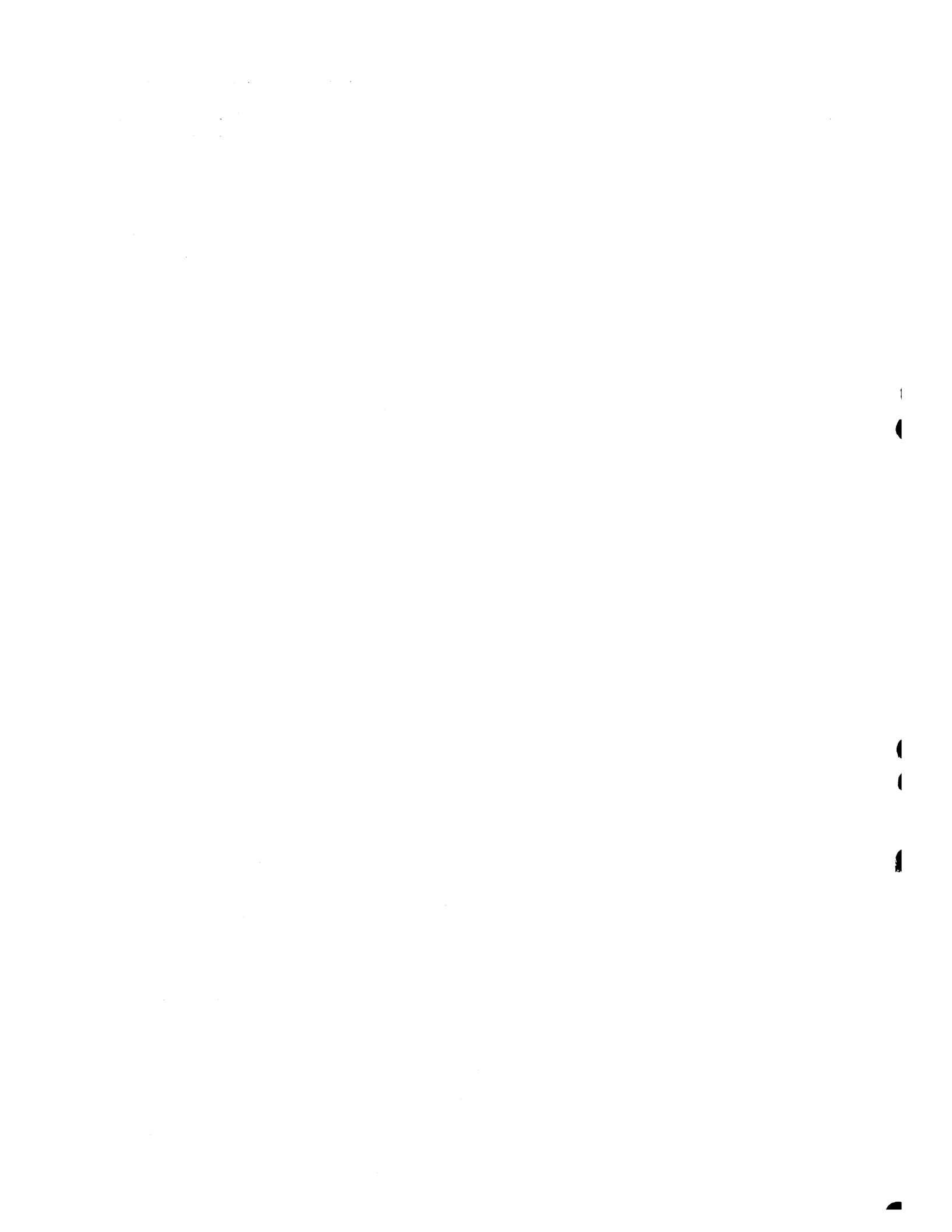
*REPLACE AS A UNIT.

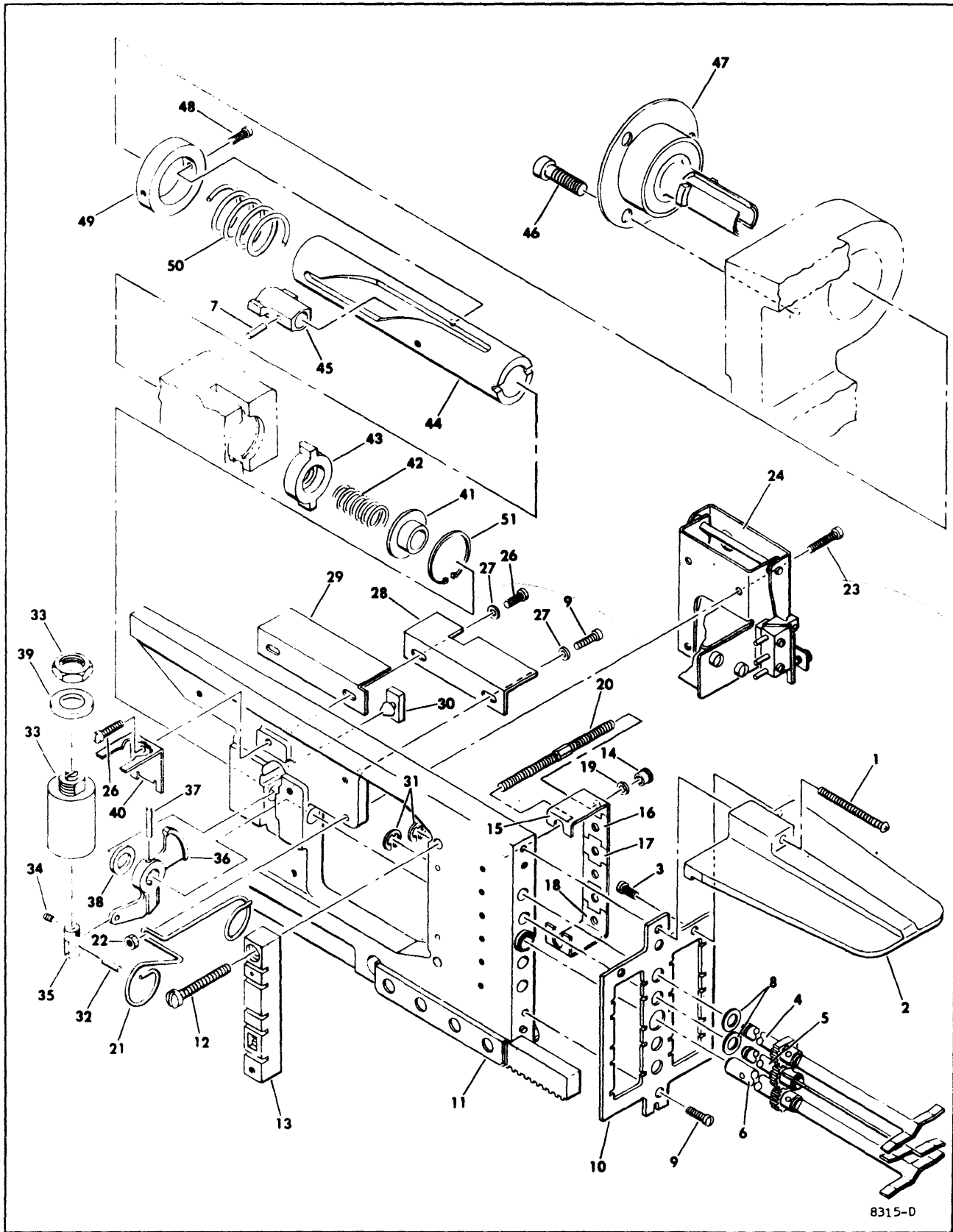


8308-IK

FIGURE 9. ACTUATOR ASSEMBLY (SHEET 2 OF 2)

ASSY LEVEL	INDEX NO.	EQUIPMENT PART NUMBER	ITEM DESCRIPTION	MOD. LEVEL					
				A	B				
				NO. REQUIRED					
C	9-	45468309	ACTUATOR ASSEMBLY (SHEET 2 OF 2)	1	1				
D	-1	93787200	SCREW, MACHINE, PAN HEAD, SLOTTED, 8-32 x 3/8	2	2				
D	-2	10125606	WASHER, PLAIN, 8	4	4				
D	-3	10126104	WASHER, LOCK, INTERNAL TOOTH, 8	1	1				
D	-4	92602001	CLAMP, CABLE, NYLON, 0.13 ID	1	1				
D	-5	10127322	SCREW, MACHINE, PAN HEAD, SLOTTED, 4-40 x 3/8	2	2				
	-6		NOT USED						
D	-7	10125603	WASHER, PLAIN, 4	2	2				
D	-8	92602003	CLAMP, CABLE, NYLON, 0.25 ID	1	1				
D	-9	45512600	BRACKET, MOUNTING, PHOTOCELL	1	1				
D	-	45469402	PHOTOCELL BLOCK ASSEMBLY	1	1				
E	-10	10127310	SCREW, MACHINE, PAN HEAD, SLOTTED, 2-56 x 3/16	2	2				
E	-11	46815300*	PHOTOCELL MASK ASSEMBLY	1	1				
E	-12	10127311	SCREW, MACHINE, PAN HEAD, SLOTTED, 2-56 x 1/4	2	2				
E	-13	92559006	CLIP, SPRING	1	1				
E	-14	45594700	MOUNT, PHOTOCELL	1	1				
D	-15	93787206	SCREW, MACHINE, PAN HEAD, SLOTTED, 8-32 x 3/4	4	4				
D	-16	94306300	SPRING, SINGLE LOADING	1	1				
D	-17	41259300	ENDPLATE BEARING ASSEMBLY (SEE SHEET 1 OF FIGURE 9-12)	4	4				
D	-18	41259500	BLOCK, MOUNTING, SINGLE ROLLER	1	1				
D	-19	92815097	SCREW, MACHINE, CAP HEAD, SOCKET, 4-40 x 5/16	4	4				
D	-20	41299300	CLAMP, PHOTOCELL BLOCK	4	4				
D	-	45469401	PHOTOCELL BLOCK ASSEMBLY	1	1				
D	-	45469400	PHOTOCELL BLOCK ASSEMBLY	1	1				
E	-21	10127310	SCREW, MACHINE, PAN HEAD, SLOTTED, 2-56 x 1/4	2	2				
E	-22	46815301*	PHOTOCELL MASK ASSY (USED ON 45469401)	1	1				
E	-23	46815300*	PHOTOCELL MASK ASSY (USED ON 45469400)	1	1				
E	-24	45469600-05	SHIM, PHOTOCELL BLOCK, 0.001 THRU 0.020 THICK	1 ea	1 ea				
E	-25	10127311	SCREW, MACHINE, PAN HEAD, SLOTTED, 2-56 x 1/4	2	2				
E	-26	92559006	CLIP, SPRING	1	1				
E	-27	45594700	MOUNT, PHOTOCELL	1	1				
D	-28	93192240	SCREW, MACHINE, BUTTON HEAD, SOCKET, 6-32 x 1/2	3	3				
D	-29	10126103	WASHER, LOCK, INTERNAL TOOTH, 6	1	1				
D	-30	10125605	WASHER, PLAIN, 6	6	6				
D	-31	45468500	PLATE, MOUNTING, PHOTOCELL	1	1				
D	-32	45453300*	TIMING DISK AND GEAR ASSEMBLY	1	1				
D	-33	93100367	SCREW, SET, SOCKET HEAD, FLAT POINT, 1/4-28 x 3/8	1	1				
D	-34	41295700	WEDGE, LOCKING	1	1				
D	-35	94047029	WASHER, SPECIAL	1	1				
D	-36	93529012	WASHER, SPRING WAVE	1	1				
D	-37	10126219	SCREW, MACHINE, CAP HEAD, SOCKET, 6-32 x 1/2	3	3				
D	-38	45468400	RETAINER, BEARING	1	1				
D	-39	45480000*	DETENT SHAFT ASSEMBLY	1	1				
D	-40	93787162	SCREW, MACHINE, PAN HEAD, SLOTTED, 6-32 x 3/8	2	2				
D	-41	45495200	COVER, TIMING DISK	1	1				
D	-42	93787080	SCREW, MACHINE, PAN HEAD, SLOTTED, 4-40 x 3/16	2	2				
D	-43	45486200	POINTER, TRACK	1	1				
D	-44	45530500	BLOCK, MOUNTING, DOUBLE ROLLER	1	1				
D	-45	94306200	SPRING, DOUBLE LOADING	1	1				
D	-46	92226007	PIN, DOWEL	1	1				
D	-47	92054149	BEARING, BALL	1	1				
D	-48	93826238	SCREW, MACHINE, PAN HEAD, SLOTTED, 10-32 x 3/8	2	2				
D	-49	40500200	STOP, CARRIAGE	1	1				
D	-50	10125108	NUT, HEXAGON, 10-32	1	1				
D	-51	45468800	BRACKET, MOUNTING, CARRIAGE STOP	1	1				
D	-	70544300	DETENT ASSEMBLY	1	1				
E	-52	10126228	SCREW, MACHINE, CAP HEAD, SOCKET, 8-32 x 3/4	2	2				
E	-53	10126104	WASHER, LOCK, INTERNAL TOOTH, 8	2	2				
E	-54	93210008	WASHER, PLAIN, 8	2	2				
E	-55	46808400*	DETENT MAGNET ASSEMBLY	1	1				
E	-56	46809000	SPACER, MAGNET	2	2				
E	-57	92071002	NUT, HEXAGON, 10-32	1	1				
E	-58	45500300	WASHER, SPRING RETAINER	2	2				
E	-59	94206315	SPRING, COMPRESSION	1	1				
E	-60	45477800	PAWL, DETENT, 64 PITCH	1	1				
E	-61	70544500	SPRING, EXTENSION	1	1				
E	-62	46808100	PIVOT, PAWL	1	1				
E	-63	45496000	PLATE, DETENT	1	1				
D	-64	10126245	SCREW, MACHINE, CAP HEAD, SOCKET, 10-32 x 5/8	1	1				
D	-65	10126105	WASHER, LOCK, INTERNAL TOOTH, 10	1	1				
D	-66	10125607	WASHER, PLAIN, 10	1	1				
D	-67	10126256	SCREW, MACHINE, CAP HEAD, SOCKET, 1/4-20 x 3/4	1	1				
D	-68	10125608	WASHER, PLAIN, 1/4	1	1				
D	-69	10126106	WASHER, LOCK, INTERNAL TOOTH, 1/4	1	1				
			* REPLACE AS A UNIT						





8315-0

FIGURE 10. CARRIAGE ASSEMBLY



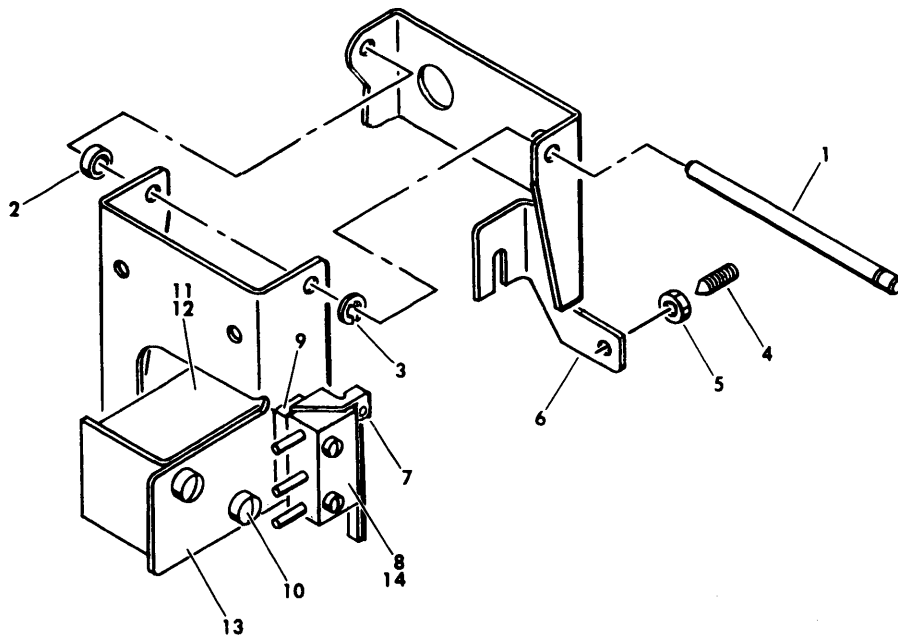
1
1

1
1

1

ASSY LEVEL	INDEX NO.	EQUIPMENT PART NUMBER	ITEM DESCRIPTION	MOD. LEVEL				
				A	B			
				NO. REQUIRED				
D	10-	41252403	CARRIAGE ASSEMBLY, 2400 RPM	1	1			
E	-1	10127110	SCREW, MACHINE, PAN HEAD, PHILLIPS, 4-40 x 1-1/4	1	1			
E	-2	45595100	SHIELD, HEAD ARM	1	1			
E	-3	92780082	SCREW, MACHINE, PAN HEAD, SLOTTED, 4-40 x 1/4	2	2			
E	-4	41262801*	TORSION ARM ASSEMBLY (S/N 9, 999 AND BELOW)	2	2			
E	-4	45687601*	TORSION ARM ASSEMBLY (S/N 10, 000 AND ABOVE)	2	2			
E	-5	41262800*	TORSION ARM ASSEMBLY (S/N 9, 999 AND BELOW)	2	2			
E	-5	45687600*	TORSION ARM ASSEMBLY (S/N 10, 000 AND ABOVE)	2	2			
E	-6	41262700*	TORSION ARM ASSEMBLY (S/N 9, 999 AND BELOW)	1	1			
E	-6	45687500*	TORSION ARM ASSEMBLY (S/N 10, 000 AND ABOVE)	1	1			
E	-7	93532081	PIN, ROLL, 3/32 DIAMETER x 3/8	5	5			
E	-8	41266600	WASHER, SPACER, 0.193 ID	4	4			
E	-9	92780162	SCREW, MACHINE, PAN HEAD, SLOTTED, 6-32 x 3/8	6	6			
E	-10	41263200	PLATE, LOCATING-HEAD ARM	1	1			
E	-11	45477900*	CARRIAGE AND RACK ASSEMBLY	1	1			
E	-12	10127339	SCREW, MACHINE, PAN HEAD, SLOTTED, 6-32 x 1	2	2			
E	-13	45473600	BLOCK, LOCATING HEAD ARM	2	2			
E	-14	93290002	NUT, WRENCHING, 4-40	12	12			
E	-15	45497000	CLAMP, HEAD ARM	2	2			
E	-16	45496800	CLAMP, HEAD ARM, LARGE	4	4			
E	-17	45496900	CLAMP, HEAD ARM, SMALL	4	4			
E	-18	45497100	CLAMP, HEAD ARM, INTERNAL	2	2			
E	-19	10126101	WASHER, LOCK, INTERNAL TOOTH, 4	12	12			
E	-20	45481600	STUD, DOUBLE-THREADED	6	6			
E	-21	45592900	RETAINER, HEAD CABLES	1	1			
E	-22	92071008	NUT, HEXAGON, STOP, 6-32	1	1			
E	-23	92780166	SCREW, MACHINE, PAN HEAD, SLOTTED, 6-32 x 5/8	1	1			
E	-24	45496400	HEAD LOADED LATCH ASSEMBLY (SEE FIGURE 11)	1	1			
	-25		NOT USED					
E	-26	92780158	SCREW, MACHINE, PAN HEAD, SLOTTED, 6-32 x 1/4	2	2			
E	-27	10125605	WASHER, PLAIN 6	3	3			
E	-28	45512400	PLATE, HOME SENSING	1	1			
E	-29	45512500	PLATE, HOME SENSING	1	1			
E	-30	41232400	BUMPER, RUBBER	1	1			
E	-31	92033037	RING, RETAINING, 0.145 ID	4	4			
E	-32	93532007	PIN, ROLL, 0.062 x 0.312	1	1			
E	-	45477300	UNLOADING DAMPER ASSEMBLY	1	1			
F	-33	94301000	DAMPER, WITH 3/8-32 NUT	1	1			
F	-34	93094082	SCREW, SET, SOCKET HEAD, CUP POINT, 2-56 x 1/8	2	2			
F	-35	45452900	YOKE, DAMPER	1	1			
E	-36	41263400	ARM, LATCH HEADS LOADED	1	1			
E	-37	93532085	PIN, ROLL, 3/32 x 1/2	1	1			
E	-38	93288002	BEARING, THRUST	1	1			
E	-39	93564022	WASHER, NYLON, 0.385 ID	1	1			
E	-40	45452800	BRACKET, MOUNTING, UNLOADING DAMPER	1	1			
E	-41	41260600	WASHER, SPRING RETAINER	1	1			
E	-42	41257500	SPRING, COMPRESSION	1	1			
E	-43	41260500	WASHER, LUG-CAM	1	1			
E	-44	41260400	CAM, HEAD LOADING	1	1			
E	-45	41262600	CAM FOLLOWER	1	1			
D	-46	10127365	SCREW, MACHINE, PAN HEAD, SLOTTED, 10-24 x 5/8	3	3			
D	-47	45485900	SHOCKMOUNT	1	1			
D	-48	10127321	SCREW, MACHINE, PAN HEAD, SLOTTED, 4-40 x 5/16	2	2			
D	-49	41257300	COLLAR, CAM FOLLOWER	1	1			
D	-50	41260200	SPRING, HELICAL, COMPRESSION	1	1			
D	-51	92033109	RING, RETAINING, 0.831 OD	1	1			

* REPLACE AS A UNIT



8316-A

FIGURE 11. HEADS LOADED LATCH ASSEMBLY

ASSY LEVEL	INDEX NO.	EQUIPMENT PART NUMBER	ITEM DESCRIPTION	MOD. LEVEL				
				A	B			
				NO. REQUIRED				
E	11-	45496400	HEADS LOADED LATCH ASSEMBLY	1	1			
F	-1	45499500	SHAFT, HEADS LOADED BRACKET	1	1			
F	-2	93109309	STANDOFF, SPACER, ROUND	1	1			
F	-3	92033089	RING, RETAINING	1	1			
F	-4	93061246	SCREW, SET, SOCKET HEAD, OVAL POINT, 6-32 x 1/4	1	1			
F	-5	93014006	NUT, HEXAGON, 6-32	1	1			
F	-6	45469700	LATCH, HEADS LOADED	1	1			
F	-7	93179000	ACTUATOR, STRAIGHT LEVER	1	1			
F	-8	92549003	SWITCH	1	1			
F	-9	41257800	SPACER, SWITCH	1	1			
F	-10	93787154	SCREW, MACHINE, PAN HEAD, SLOTTED, 6-32 x 1/8	2	2			
F	-11	92031055	PIN, SPIRAL, 3/32 x 3/8	1	1			
F	-12	94309600	SOLENOID, 20 VDC	1	1			
F	-13	45468900	BRACKET, HEADS LOADED	1	1			
F	-14	10125602	WASHER, PLAIN, 2	2	2			



1

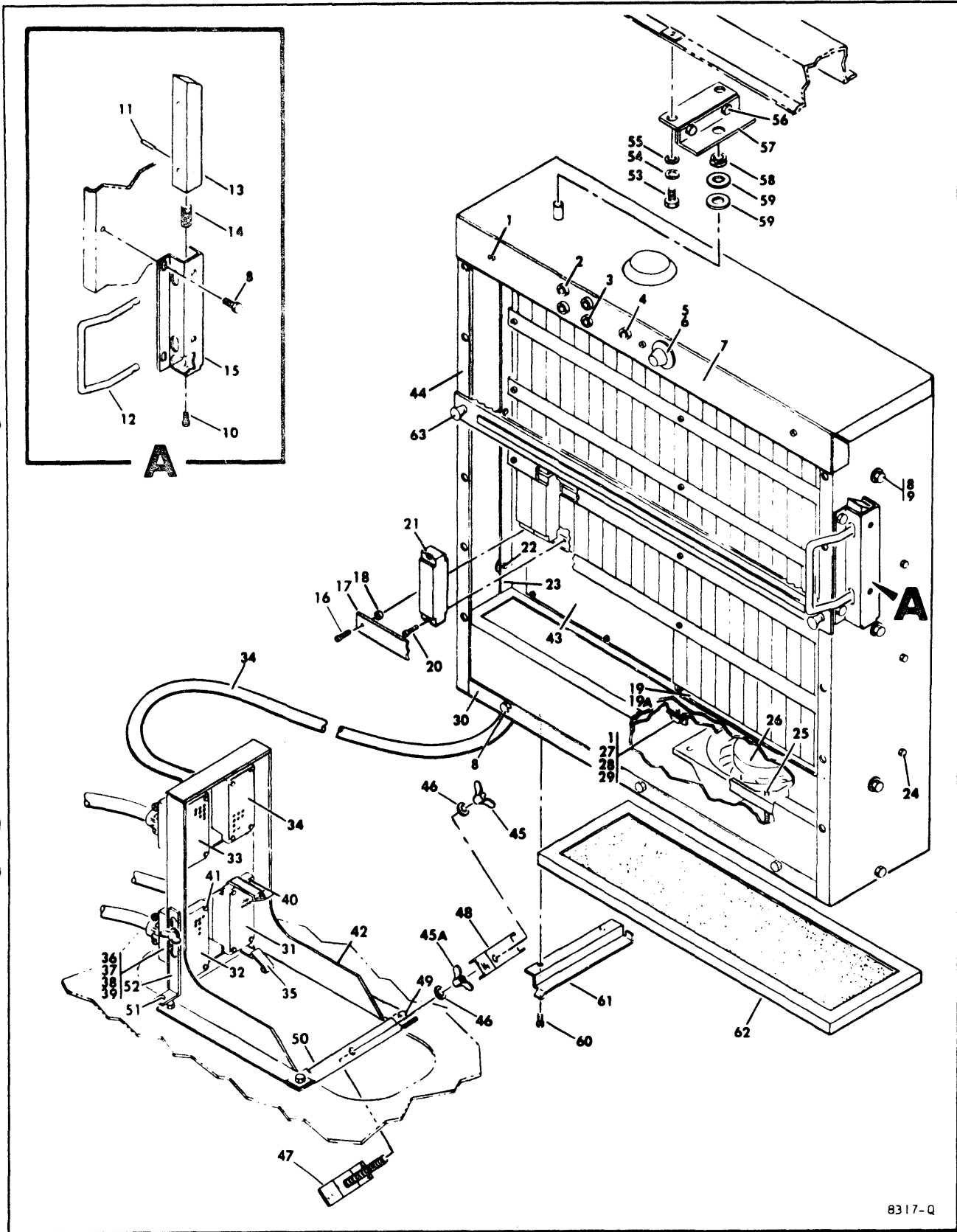
1

1

1

1

1



8317-Q

FIGURE 12. LOGIC CHASSIS ASSEMBLY (SHEET 1 OF 2)

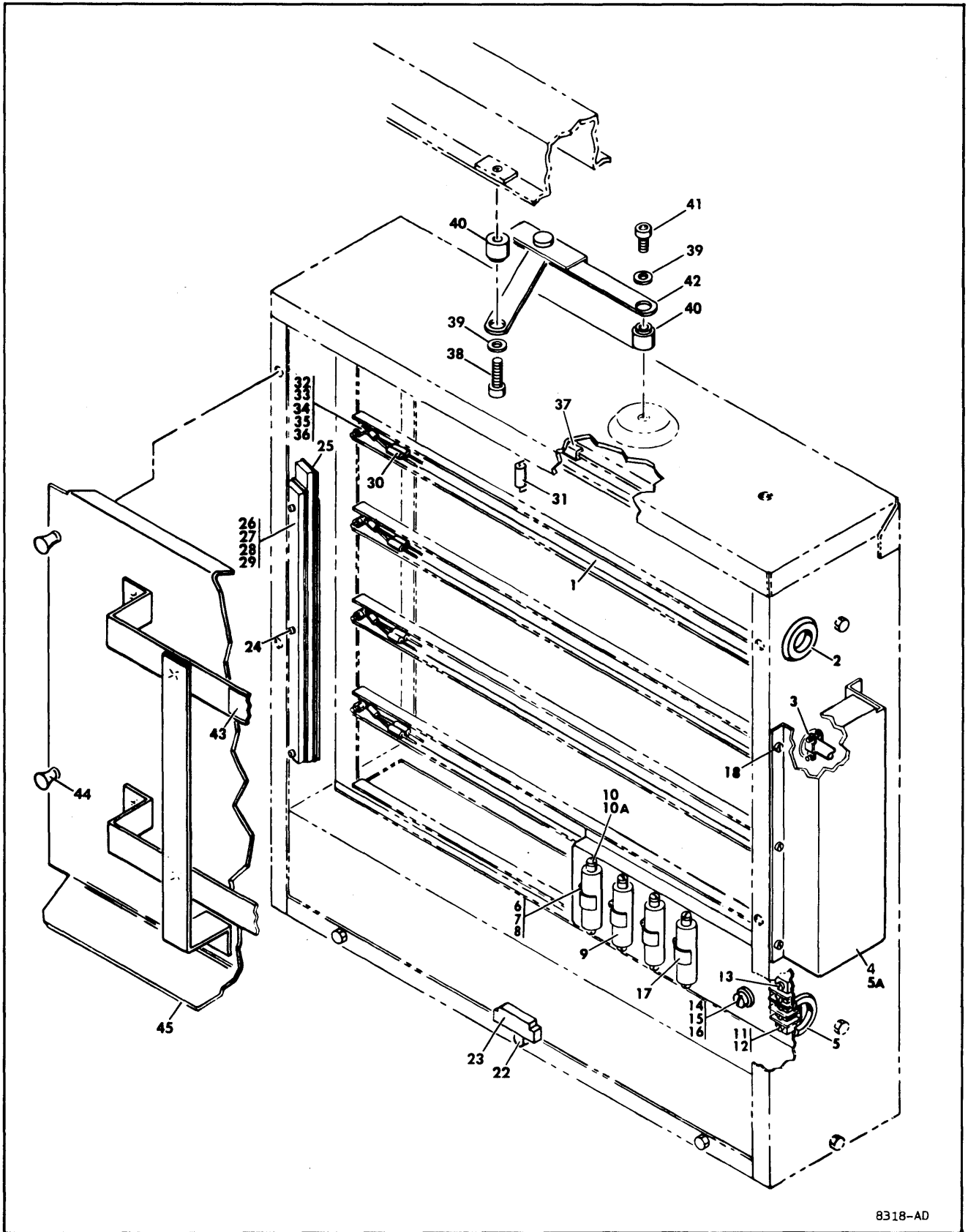


ASSY LEVEL	INDEX NO.	EQUIPMENT PART NUMBER	ITEM DESCRIPTION	MOD. LEVEL			
				A	B		
				NO. REQUIRED			
C	12-	41250327	LOGIC CHASSIS ASSEMBLY (SHEET 1 OF 2)	1	1		
D	-1	93590164	SCREW, MACHINE, PAN HEAD, PHILLIPS, 6-32 x 1/2	5	5		
E	-	46012620	IDENTIFICATION PLATE ASSEMBLY	1	1		
E	-2	93672003	JACK, BANANA, RED, TP107, TP108	2	2		
E	-3	93672005	JACK, BANANA, LIGHT BLUE, TP109, TP110	2	2		
E	-4	93672001	JACK, BANANA, BLACK, TP100	1	1		
E	-5	93152001	KNOB, SKIRTED	1	1		
E	-6	92655025	SWITCH, SELECTOR, S100, S101, S102	1	1		
E	-7	41282220	PLATE, IDENTIFICATION	1	1		
D	-8	93592240	SCREW, MACHINE, HEXAGON WASHER HEAD, 10-24 x 1/2	12	12		
	-9		NOT APPLICABLE				
D	-	45521900	LATCH ASSEMBLY, LOGIC	1	1		
E	-10	93592162	SCREW, MACHINE, HEXAGON WASHER HEAD, 6-32 x 3/8	1	1		
E	-11	93532089	PIN, ROLL, 3/32 x 5/8	2	2		
E	-12	45514500	HANDLE, LATCH	1	1		
E	-13	45514400	BOLT, LATCH	1	1		
E	-14	94206109	SPRING, COMPRESSION	1	1		
E	-15	45514700	HOUSING, LATCH	1	1		
D	-16	93590130	SCREW, MACHINE, PAN HEAD, PHILLIPS, 4-40 x 3/4	9	9		
D	-17	46017220	BAR, IDENTIFICATION, WIDE	4	4		
D	-18	46265500	SPACER, 1/2 INCH	6	6		
D	-19	94330700	BAR, IDENTIFICATION, NARROW	2	2		
D	-19A	94208636	SCREW, MACHINE, FILLISTER HEAD, PHILLIPS, 5-40 x 7/8	6	6		
D	-20	94208633	SCREW, MACHINE, FILLISTER HEAD, PHILLIPS, 5-40 x 9/16	206	206		
D	-21	10001800	CONNECTOR, RECEPTACLE, 30 SOCKET	100	100		
D	-22	41272800	SPACER, INSULATED	6	6		
D	-23	41295100	FRAME, CONNECTOR	1	1		
D	-24	93592162	SCREW, MACHINE, HEXAGON WASHER HEAD, 6-32 x 3/8	3	3		
D	-25	92779182	SCREW, MACHINE, PAN HEAD, SLOTTED, 6-32 x 2-1/4	8	8		
D	-26	94275504	FAN, AXIAL	2	2		
D	-27	93747019	RECEPTACLE, SLIDE-ON	4	4		
D	-28	94274333	STRIP, MARKER, 1 THRU 3 CHARACTER	1	1		
D	-29	41283100	TERMINAL BLOCK ASSEMBLY, TB102, 3 CONTACT	1	1		
E	-	94274112	TERMINAL, SLIDE-ON, 2 TAB, 45°	3	3		
E	-	94274115	TERMINAL, SLIDE-ON, 2 TAB, 90°	3	3		
E	-	10127111	SCREW, MACHINE, PAN HEAD, PHILLIPS, 6-32 x 1/4	3	3		
E	-	10126103	WASHER, LOCK, INTERNAL TOOTH, 6	3	3		
E	-	94272302	BLOCK, TERMINAL	1	1		
D	-30	41294800	BASE, CHASSIS	1	1		
D	-	45475400	CONNECTOR ASSEMBLY	1	1		
E	-31	45588100*	CABLE ASSEMBLY, W5	1	1		
E	-32	45588300*	CABLE ASSEMBLY, W6	1	1		
E	-33	45588500*	CABLE ASSEMBLY, W7	1	1		
E	-34	45676200*	CABLE ASSEMBLY, W12	1	1		
E	-35	45467400	SPRING, LOCK	4	4		
E	-36	10127323	SCREW, MACHINE, PAN HEAD, SLOTTED, 4-40 x 1/2	12	12		
E	-37	10126400	WASHER, LOCK, EXTERNAL TOOTH, 4	12	12		
E	-38	10125103	NUT, HEXAGON, 4-40	12	12		
E	-39	94281207	STRAIN RELIEF CLAMP, SHORT	4	4		
E	-40	93642004	PIN, CORNER GUIDE	2	2		
E	-41	93642005	SOCKET, CORNER GUIDE	2	2		
E	-42	46821200	PANEL, CONNECTOR	1	1		
D	-43	92228008	PANEL, BLANK	1	1		
D	-44	45590800	CHASSIS, LOGIC	1	1		
C	-45	93031003	NUT, WING, 10-24	2	2		
C	-45A	93034011	NUT, WING	1	1		
C	-46	10125607	WASHER, PLAIN, 10	3	3		
C	-47	46822800	CLAMP, CABLE, DC	1	1		
C	-48	46822900	CLAMP, CABLE, SIGNAL	1	1		
C	-49	93592238	SCREW, MACHINE, HEXAGON WASHER HEAD, 10-24 x 3/8	4	4		
C	-50	46822700	BRACKET, CABLE CLAMP	1	1		
C	-51	92633007	BUMPER, GROMMET TYPE	1	1		
C	-52	45455300	CLAMP, TERMINATOR	1	1		
C	-53	10126500	SCREW, MACHINE, HEXAGON CAP HEAD, 1/4-20 x 1/2	2	2		
C	-54	10125608	WASHER, PLAIN, 1/4	2	2		
C	-55	45593100	BRACKET, MOUNTING	1	1		
C	-56	93592238	SCREW, MACHINE, HEXAGON WASHER HEAD, 10-24 x 3/8	5	5		
C	-57	45593200	BRACKET, PIVOT, UPPER	1	1		
C	-58	92373010	NYLINER, SNAP-IN, BEARING FLANGED	1	1		
C	-59	41267800	WASHER	2	2		
B	-60	93592162	SCREW, MACHINE, HEXAGON WASHER HEAD, 6-32 x 3/8	4	4		
B	-61	41296501	BRACKET, MOUNTING, FILTER, LEFT HAND	1	1		
B	-	41296500	BRACKET, MOUNTING, FILTER, RIGHT HAND	1	1		
B	-62	94223003	FILTER, AIR	1	1		

*SEE FIGURE 21 FOR DETAIL BREAKDOWN
NOTE: SEE PAGE 33 FOR LOGIC CARDS



ASSY LEVEL	INDEX NO.	EQUIPMENT PART NUMBER	ITEM DESCRIPTION	MOD. LEVEL					
				A	B				
				NO. REQUIRED					
C	12-	41250327	LOGIC CHASSIS ASSEMBLY (SHEET 1 OF 2) CONT'D	1	1				
B	-63	45854500	CARD SPACER ASSEMBLY, CENTER	4	4				
C	-	94210201	MARKER, STRIP	1	1				
C	-	93783104	FASTENER, PUSH-PULL, NYLON	2	2				
C	-	40505000	BAR, SPACER	1	1				
B	-63	45544500	CARD SPACER ASSEMBLY, TOP AND BOTTOM	2	2				
C	-	94210201	MARKER, STRIP	1	1				
C	-	93783104	FASTENER, PUSH-PULL, NYLON	2	2				
C	-	40513601	BAR, SPACER	1	1				



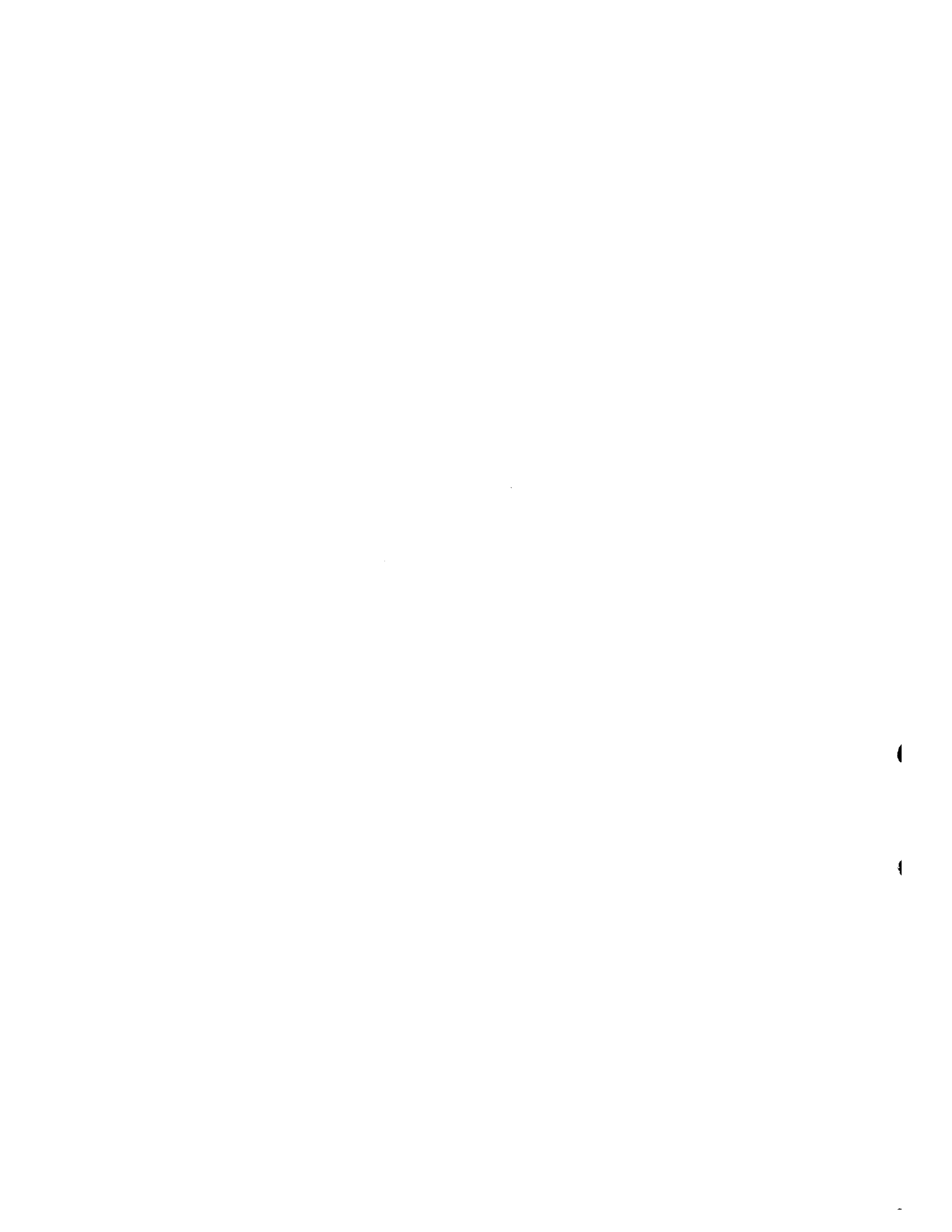
8318-AD

FIGURE 12. LOGIC CHASSIS ASSEMBLY (SHEET 2 OF 2)

ASSY LEVEL	INDEX NO.	EQUIPMENT PART NUMBER	ITEM DESCRIPTION	MOD. LEVEL				
				A	B			
				NO. REQUIRED				
C	12-	41250327	LOGIC CHASSIS ASSEMBLY (SHEET 2 OF 2)	1	1			
D	-1	94210203	STRIP, MARKER	6	6			
D	-2	92019017	GROMMET, RUBBER, 3/4 ID	1	1			
D	-3	93801002	CLAMP, CABLE, BOX CONNECTOR	4	4			
D	-4	45593000	ENCLOSURE, CABLE	1	1			
D	-5	93840005	GROMMET, RUBBER, 5/16 ID	1	1			
D	-5A	92413000	CHANNEL, RUBBER	AR	AR			
D	-	46820300	COMPONENT BRACKET ASSEMBLY	1	1			
E	-6	10127363	SCREW, MACHINE, PAN HEAD, SLOTTED, 10-24 x 3/8	4	4			
E	-7	10126403	WASHER, LOCK, EXTERNAL TOOTH, 10	4	4			
E	-8	10125107	NUT, HEXAGON, 10-24	4	4			
E	-9	92307003	CAPACITOR, FIXED, ELECTROLYTIC, 0.25 MF, 20 AMP, C101 THRU C104	4	4			
E	-10	10126105	WASHER, LOCK, INTERNAL TOOTH, 10	8	8			
E	-10A	10127378	SCREW, MACHINE, PAN HEAD, SLOTTED, 10-32 x 5/16	8	8			
E	-11	45544200	TERMINAL BLOCK ASSEMBLY, TB110	1	1			
E	-12	94274433	STRIP, MARKER, 1 THRU 3 CHARACTER	1	1			
E	-13	93590164	SCREW, MACHINE, PAN HEAD, SLOTTED, 6-32 x 1/2	2	2			
E	-14	10127347	SCREW, MACHINE, PAN HEAD, SLOTTED, 8-32 x 3/8	1	1			
E	-15	10126402	WASHER, LOCK, EXTERNAL TOOTH, 8	1	1			
E	-16	10125106	NUT, HEXAGON, 8-32	1	1			
E	-17	45586700	BRACKET, MOUNTING, COMPONENT	1	1			
D	-18	93592158	SCREW, MACHINE, HEXAGON WASHER HEAD, 6-32 x 1/4	6	6			
	-19		NOT USED					
	-20		NOT USED					
	-21		NOT USED					
D	-22	93592240	SCREW, MACHINE, HEXAGON WASHER HEAD, 10-24 x 1/2	6	6			
D	-23	45514200*	CABLE ASSEMBLY, W14	1	1			
D	-24	93342226	SCREW, MACH, ROUND HEAD, SLOTTED, NYLON, 10-32 x 5/8	3	3			
D	-25	41279900	BRACKET, MOUNTING, COMMON VOLTAGE	1	1			
D	-26	46083500	BAR, COMMON VOLTAGE, -20V	1	1			
D	-27	46083600	BAR, COMMON VOLTAGE, +20V	1	1			
D	-28	46083800	STRIP, INSULATION, 10 INCH	1	1			
D	-29	46083801	STRIP, INSULATION, 9-7/16 INCH	1	1			
D	-30	45514800	CAPACITOR ASSEMBLY, DUAL	4	4			
E	-	92496095	CAPACITOR, FIXED, PLASTIC, 0.47 UF, 100V	2	2			
	-31	92496067	CAPACITOR, FIXED, MYLAR, 0.0022 UF, 100V	3	3			
D	-32	10127326	SCREW, MACHINE, PAN HEAD, SLOTTED, 4-40 x 7/8	12	12			
D	-33	93109312	SPACER, 1/2 INCH	6	6			
D	-34	10126400	WASHER, LOCK, EXTERNAL TOOTH, 4	12	12			
D	-35	10125603	WASHER, PLAIN, 4	4	4			
D	-36	10125103	NUT, HEXAGON, 4-40	12	12			
D	-37	94060000	CHANNEL, RUBBER,	AR	AR			
C	-38	10126500	SCREW, MACHINE, HEXAGON CAP HEAD, 1/4-20 x 1/2	1	1			
C	-39	93564002	WASHER, PLAIN, NYLON, 1/4 ID, 1/2 OD	AR	AR			
C	-40	41269402	SPACER, LINK	2	2			
C	-41	10126503	SCREW, MACHINE, HEXAGON CAP HEAD, 1/4-20 x 7/8	1	1			
C	-42	41275100	RETAINING ARM ASSEMBLY	1	1			
B	-43	94224600	LABEL, INFORMATION	1	1			
B	-44	93783103	FASTENER, PUSH-PULL	6	6			
B	-45	45591100	COVER, ACCESS	1	1			

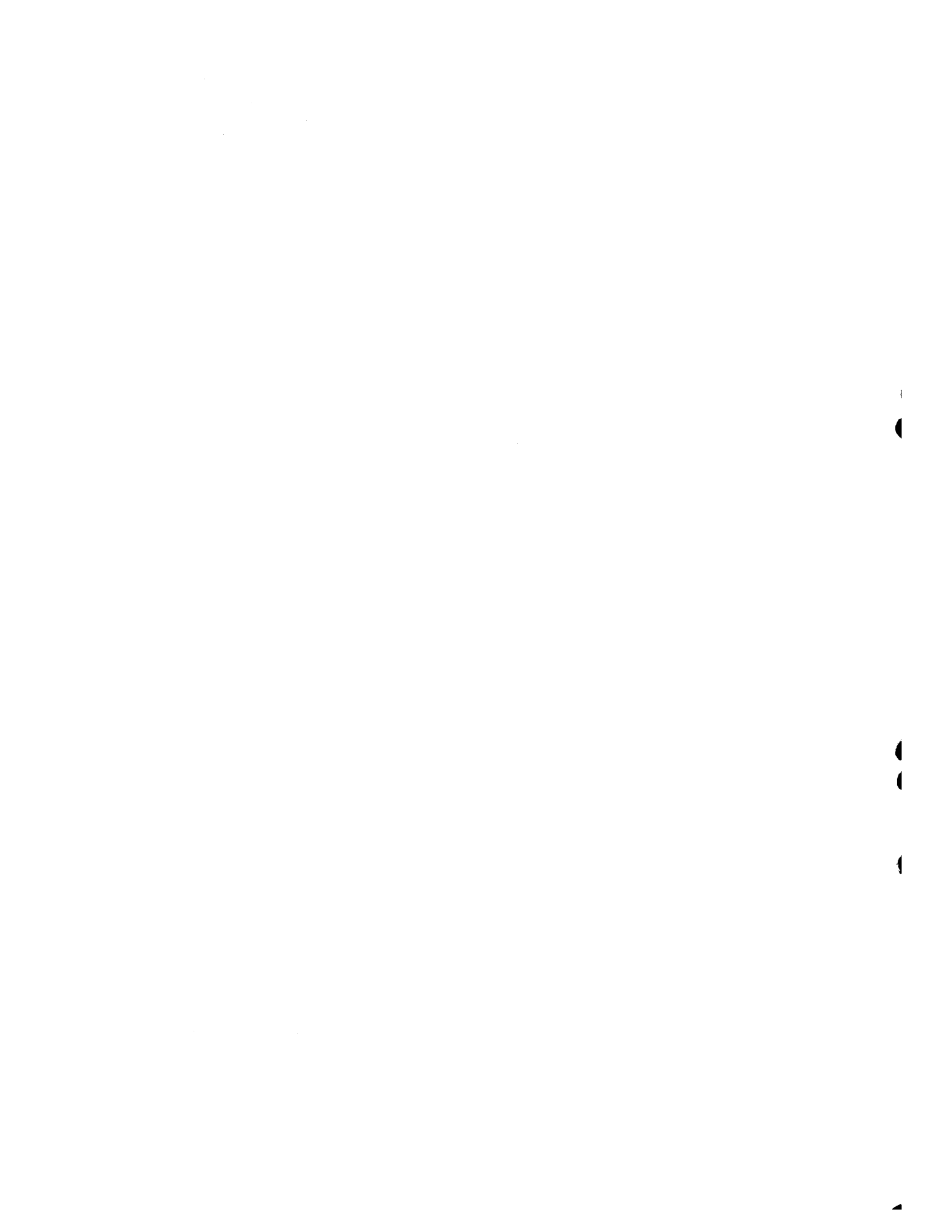
*SEE FIGURE 26

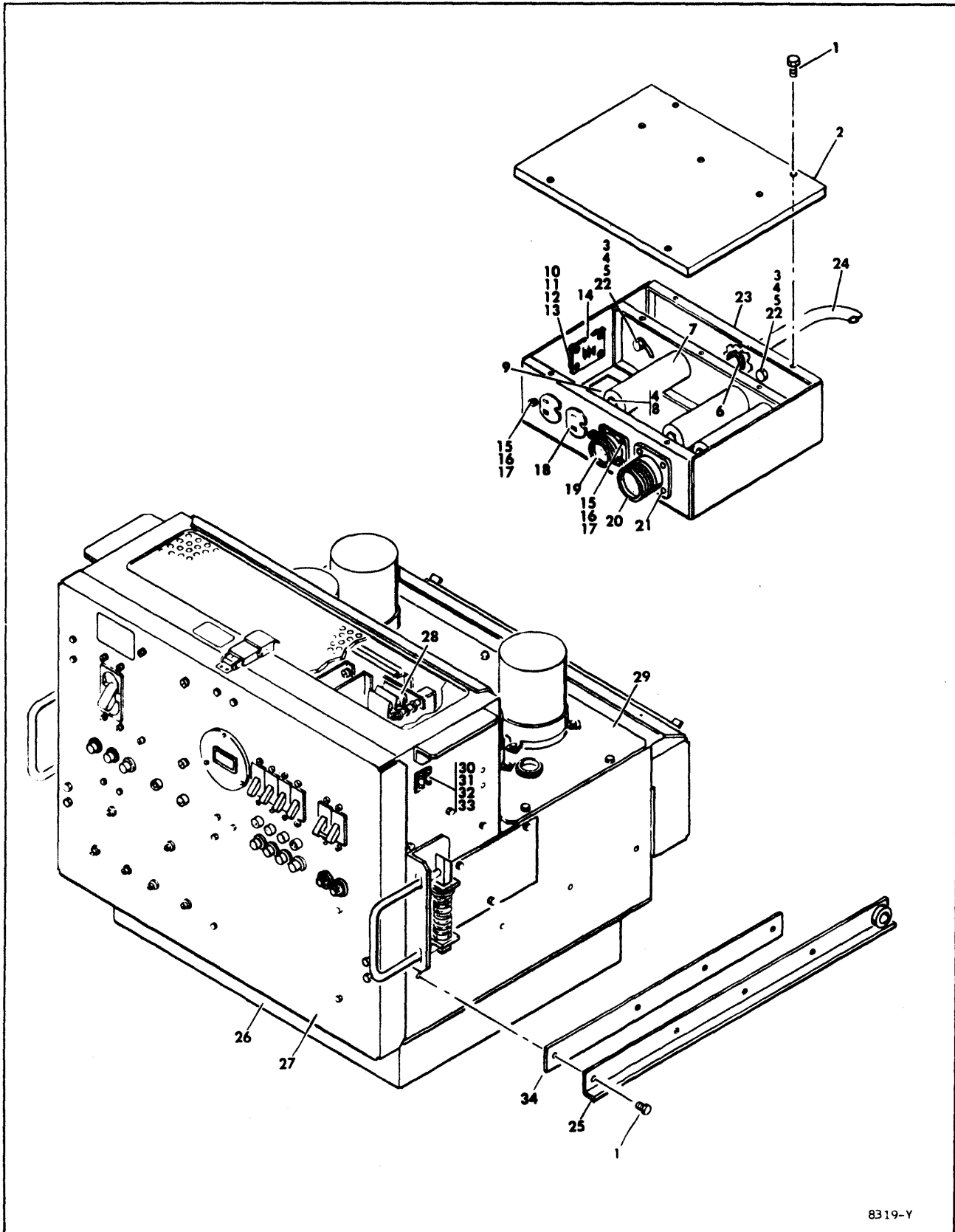
NOTE: SEE PAGE 33 FOR LOGIC CARDS



ASSY LEVEL	INDEX NO.	EQUIPMENT PART NUMBER	ITEM DESCRIPTION	MOD. LEVEL			
				A	B		
				NO. REQUIRED			
C	12-	41250327	LOGIC CHASSIS ASSEMBLY (SHEET 2 OF 2 CONT'D)	1	1		
D	-	50011903	LOGIC CARD, TYPE AND	1	1		
D	-	50014003	LOGIC CARD, TYPE AUD	1	1		
D	-	50060200	LOGIC CARD, TYPE BGA	1	1		
D	-	50060500	LOGIC CARD, TYPE BHA	6	6		
D	-	50060501	LOGIC CARD, TYPE BHB	1	1		
D	-	50060800	LOGIC CARD, TYPE BLA	9	9		
D	-	46281305	LOGIC CARD, TYPE EEE	1	1		
D	-	46281307	LOGIC CARD, TYPE EEG	2	2		
D	-	50018202	LOGIC CARD, TYPE EWC	1	1		
D	-	50019404	LOGIC CARD, TYPE IOE	4	4		
D	-	50042803	LOGIC CARD, TYPE JAD	1	1		
D	-	50042805	LOGIC CARD, TYPE JAF	1	1		
D	-	50023001	LOGIC CARD, TYPE OJB	1	1		
D	-	50024200	LOGIC CARD, TYPE ONA	2	2		
D	-	50024201	LOGIC CARD, TYPE ONB	2	2		
D	-	50026601	LOGIC CARD, TYPE OVB	1	1		
D	-	50007400	LOGIC CARD, TYPE UAB	12	12		
D	-	50029602	LOGIC CARD, TYPE UJC	1	1		
D	-	50033501	LOGIC CARD, TYPE UWB	1	1		
D	-	93279079	LOGIC CARD, TYPE CC82-1	2	2		
D	-	17686600	LOGIC CARD, TYPE P54	1	1		
D	-	92379005	LOGIC CARD, TYPE 11	14	14		
D	-	93279006	LOGIC CARD, TYPE 12	2	2		
D	-	93279007	LOGIC CARD, TYPE 13	3	3		
D	-	93279104	LOGIC CARD, TYPE 20	15	15		
D	-	93279011	LOGIC CARD, TYPE 21	19	19		
D	-	93279012	LOGIC CARD, TYPE 22	10	10		
D	-	93279013	LOGIC CARD, TYPE 23	3	3		
D	-	93279014	LOGIC CARD, TYPE 24	3	3		
D	-	*93279107	LOGIC CARD, TYPE 30	10	10		
D	-	93279015	LOGIC CARD, TYPE 31	11	11		
D	-	93279016	LOGIC CARD, TYPE 32	12	12		
D	-	93279017	LOGIC CARD, TYPE 33	12	12		
D	-	93279023	LOGIC CARD, TYPE 50	1	1		
D	-	93279065	LOGIC CARD, TYPE 87	2	2		

*REPLACED WITH LOGIC CARD, TYPE 30B, P/N 50004400





8319-Y

FIGURE 13. POWER SUPPLY ASSEMBLY (SHEET 1 OF 2)



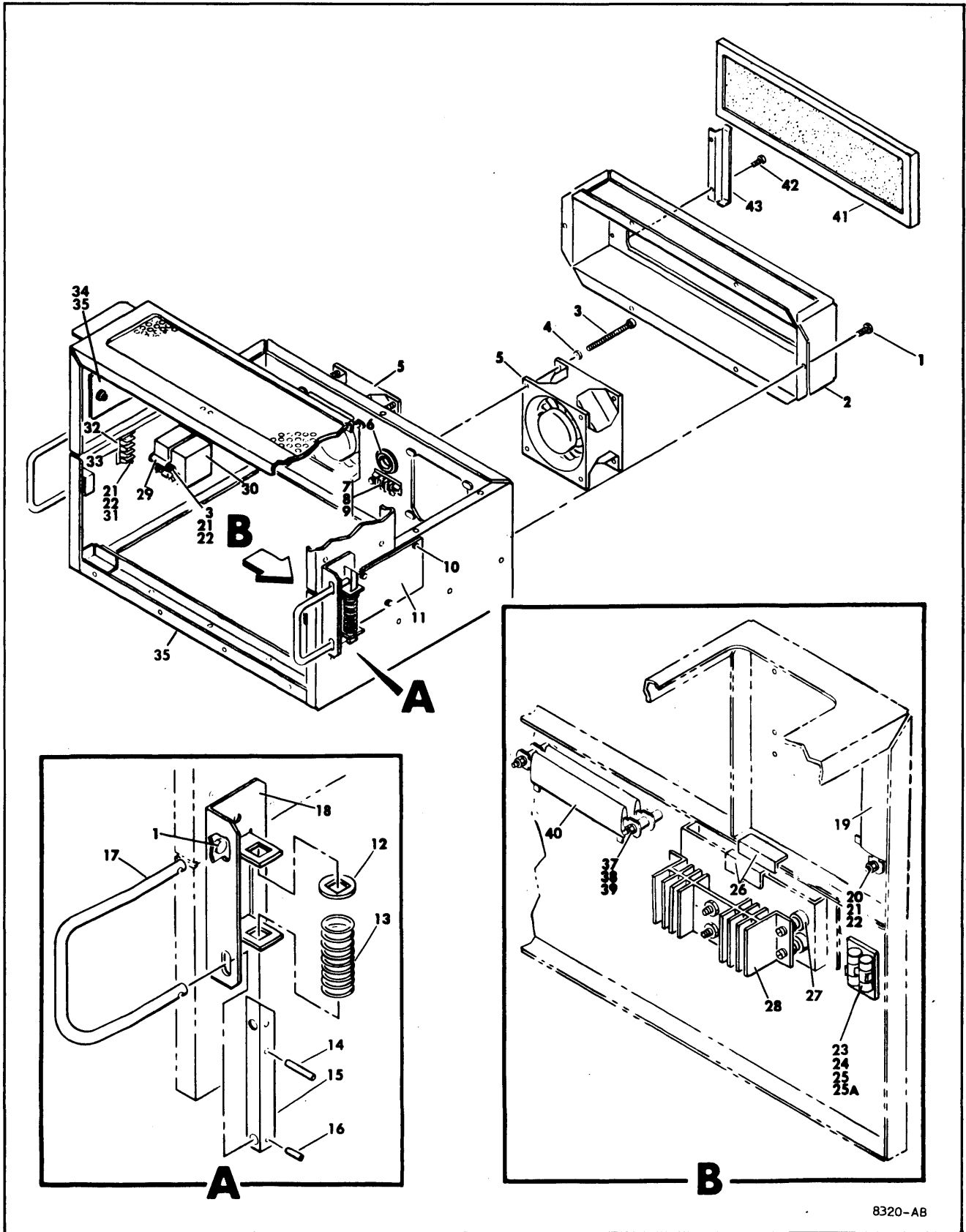
ASSY LEVEL	INDEX NO.	EQUIPMENT PART NUMBER	ITEM DESCRIPTION	MOD. LEVEL				
				A	B			
				NO. REQUIRED				
C	13-	45443123	POWER SUPPLY ASSEMBLY, 60 HERTZ (SHEET 1 OF 2)	1	-			
C	13-	45443124	POWER SUPPLY ASSEMBLY, 50 HERTZ	-	1			
D	-1	93592238	SCREW, MACHINE, HEXAGON HEAD, 10-24 x 3/8	23	23			
D	-2	41294301	COVER, FILTER BOX	1	1			
D	-	40849300	FILTER BOX ASSEMBLY	1	-			
D	-	40849302	FILTER BOX ASSEMBLY	-	1			
E	-3	10125048	SCREW, MACHINE, HEXAGON HEAD, 10-24 x 3/4	2	2			
E	-4	10126403	WASHER, LOCK, EXTERNAL TOOTH	11	11			
E	-5	10125107	NUT, HEXAGON, 10-24	4	4			
E	-6	92801002	CLAMP, BOX CONNECTOR	1	1			
E	-7	94285800	FILTER, RADIO INTERFERENCE, 10 AMP, 250 VAC	3	3			
E	-8	10125108	NUT, HEXAGON, 10-32	6	6			
E	-9	46068603	PLATE, WARNING	1	1			
E	-10	10127324	SCREW, MACHINE, PAN HEAD, SLOTTED, 4-40 x 5/8	4	4			
E	-11	93109202	STANDOFF, SPACER	4	4			
E	-12	10126400	WASHER, LOCK, EXTERNAL TOOTH, 4	4	4			
E	-13	10125103	NUT, HEXAGON, 4-40	4	4			
E	-14	45595301	BLEEDER RESISTOR ASSEMBLY, TB30	1	1			
F	-	92512103	RESISTOR, FIXED, COMPOSITION, 100K OHM, 1/2W	3	3			
F	-	93874102	TERMINAL BOARD, 5 CONTACT	1	1			
E	-15	10127334	SCREW, MACHINE, PAN HEAD, SLOTTED, 6-32 x 3/8	6	6			
E	-16	10126401	WASHER, LOCK, EXTERNAL TOOTH, 6	6	6			
E	-17	10125105	NUT, HEXAGON, 6-32	6	6			
E	-18	24556400	CONNECTOR, RECEPTACLE, DUPLEX, J08, J09	1	1			
E	-19	93322011	CONNECTOR, RECEPTACLE, 7 SOCKET, J01	1	1			
E	-20	94335401	CONNECTOR, RECEPTACLE, 7 SOCKET, J02	1	1			
E	-21	10127361	SCREW, MACHINE, PAN HEAD, SLOTTED, 10-24 x 1/4	10	10			
E	-22	10125607	WASHER, FLAT, 10	2	2			
E	-	94224606	LABEL, INFORMATION, GROUND	1	1			
E	-23	46821102	BOX, FILTER	1	1			
D	-24	41286600	CABLE ASSEMBLY, W9 (SEE FIGURE 21)	1	1			
D	-25	94222902	TRACK, SLIDE, RIGHT HAND	1	1			
D	-	94222903	TRACK, SLIDE, LEFT HAND	1	1			
D	-26	46819506	D.C. POWER PANEL ASSEMBLY, 60 HERTZ (SEE FIGURE 17)	1	-			
D	-26	46819507	D.C. POWER PANEL ASSEMBLY, 50 HERTZ (SEE FIGURE 17)	-	1			
D	-27	45499900*	FRONT PANEL ASSEMBLY, 60 HERTZ (S/N 12,999 AND BELOW)	1	-			
D	-27	70534000*	FRONT PANEL ASSEMBLY, 60 HERTZ (S/N 13,000 AND ABOVE)	1	-			
D	-27	45499901*	FRONT PANEL ASSEMBLY, 50 HERTZ (S/N 12,999 AND BELOW)	-	1			
D	-27	45499901	FRONT PANEL ASSEMBLY, 50 HERTZ (S/N 13,000 AND ABOVE)	-	1			
D	-28	45685301	VERTICAL PANEL ASSEMBLY (SEE FIGURE 15)	1	1			
D	-29	41253500	HORIZONTAL PANEL ASSEMBLY (SEE FIGURE 16)	1	1			
C	-30	93128168	SCREW, MACHINE, PAN HEAD, SLOTTED, 4-40 x 5/16	2	2			
C	-31	92412003	FUSE, CARTRIDGE, SLOW-BLOW, 1 AMP, (SPARE)	1	1			
C	-32	93418133	FUSE, CARTRIDGE, FAST-ACTING, 5 AMP, (SPARE)	1	1			
C	-33	92368000	BLOCK, MOUNTING, SPARE FUSES	1	1			
C	-34	41272700	SPACER, SLIDE	AR	AR			

*SEE FIGURE 14



ASSY LEVEL	INDEX NO.	EQUIPMENT PART NUMBER	ITEM DESCRIPTION	MOD. LEVEL			
				A	B		
				NO. REQUIRED			
C	13-	45443123	POWER SUPPLY ASSEMBLY, 60 HERTZ (SHEET 1 OF 2)	1	-		
C	13-	45443124	POWER SUPPLY ASSEMBLY, 50 HERTZ	-	1		
D	-1	93592238	SCREW, MACHINE, HEXAGON HEAD, 10-24 x 3/8	23	23		
D	-2	41224301	COVER, FILTER BOX	1	1		
D	-	45472700	FILTER BOX ASSEMBLY	1	-		
D	-	45472702	FILTER BOX ASSEMBLY	-	1		
E	-3	10125048	SCREW, MACHINE, HEXAGON HEAD, 10-24 x 3/4	2	2		
E	-4	10126403	WASHER, LOCK, EXTERNAL TOOTH	11	11		
E	-5	10125107	NUT, HEXAGON, 10-24	4	4		
E	-6	92801002	CLAMP, BOX CONNECTOR	1	1		
E	-7	94285800	FILTER, 10 AMP	3	3		
E	-8	10125108	NUT, HEXAGON, 10-32	6	6		
E	-9	46068603	PLATE, WARNING	1	1		
E	-10	10127324	SCREW, MACHINE, PAN HEAD, SLOTTED, 4-40 x 5/8	4	4		
E	-11	93109202	STANDOFF, SPACER	4	4		
E	-12	10127324	WASHER, LOCK, EXTERNAL TOOTH, 4	4	4		
E	-13	10125103	NUT, HEXAGON, 4-40	4	4		
E	-14	45595301	BLEEDER RESISTOR ASSEMBLY, TB30	1	1		
F	-	92512103	RESISTOR, FIXED, COMPOSITION, 100K OHM, 1/2W	3	3		
F	-	93874102	TERMINAL BOARD, 5 CONTACT	1	1		
E	-15	10127334	SCREW, MACHINE, PAN HEAD, SLOTTED, 6-32 x 3/8	6	6		
E	-16	10126401	WASHER, LOCK, EXTERNAL TOOTH, 6	6	6		
E	-17	10125105	NUT, HEXAGON, 6-32	6	6		
E	-18	24556400	CONNECTOR, RECEPTACLE, DUPLEX, J08, J09	1	1		
E	-19	93322011	CONNECTOR, RECEPTACLE, 7 SOCKET, J01	1	1		
E	-20	94335401	CONNECTOR, RECEPTACLE, 7 SOCKET, J02	1	1		
E	-21	10127361	SCREW, MACHINE, PAN HEAD, SLOTTED, 10-24 x 1/4	10	10		
E	-22	10125607	WASHER, FLAT, 10	2	2		
E	-	94224606	LABEL, INFORMATION, GROUND	1	1		
E	-23	46821102	BOX, FILTER	1	1		
D	-24	41286600	CABLE ASSEMBLY, W9 (SEE FIGURE 21)	1	1		
D	-25	94222902	TRACK, SLIDE, RIGHT HAND	1	1		
D	-	94222903	TRACK, SLIDE, LEFT HAND	1	1		
D	-26	46819506	D.C. POWER PANEL ASSEMBLY, 60 HERTZ (SEE FIGURE 17)	1	-		
D	-26	46819507	D.C. POWER PANEL ASSEMBLY, 50 HERTZ (SEE FIGURE 17)	-	1		
D	-27	45499900	FRONT PANEL ASSEMBLY, 60 HERTZ (SEE FIGURE 14)	1	-		
D	-27	45499901	FRONT PANEL ASSEMBLY, 50 HERTZ (SEE FIGURE 14)	-	1		
D	-28	45685301	VERTICAL PANEL ASSEMBLY (SEE FIGURE 15)	1	1		
D	-29	41253500	HORIZONTAL PANEL ASSEMBLY (SEE FIGURE 16)	1	1		
C	-30	93128168	SCREW, MACHINE, PAN HEAD, SLOTTED, 4-40 x 5/16	2	2		
C	-31	92412003	FUSE, CARTRIDGE, SLOW-BLOW, 1 AMP, (SPARE)	1	1		
C	-32	93418133	FUSE, CARTRIDGE, FAST-ACTING, 5 AMP, (SPARE)	1	1		
C	-33	92368000	BLOCK, MOUNTING, SPARE FUSES	1	1		
C	-34	41272700	SPACER, SLIDE	AR	AR		

alte Rev.



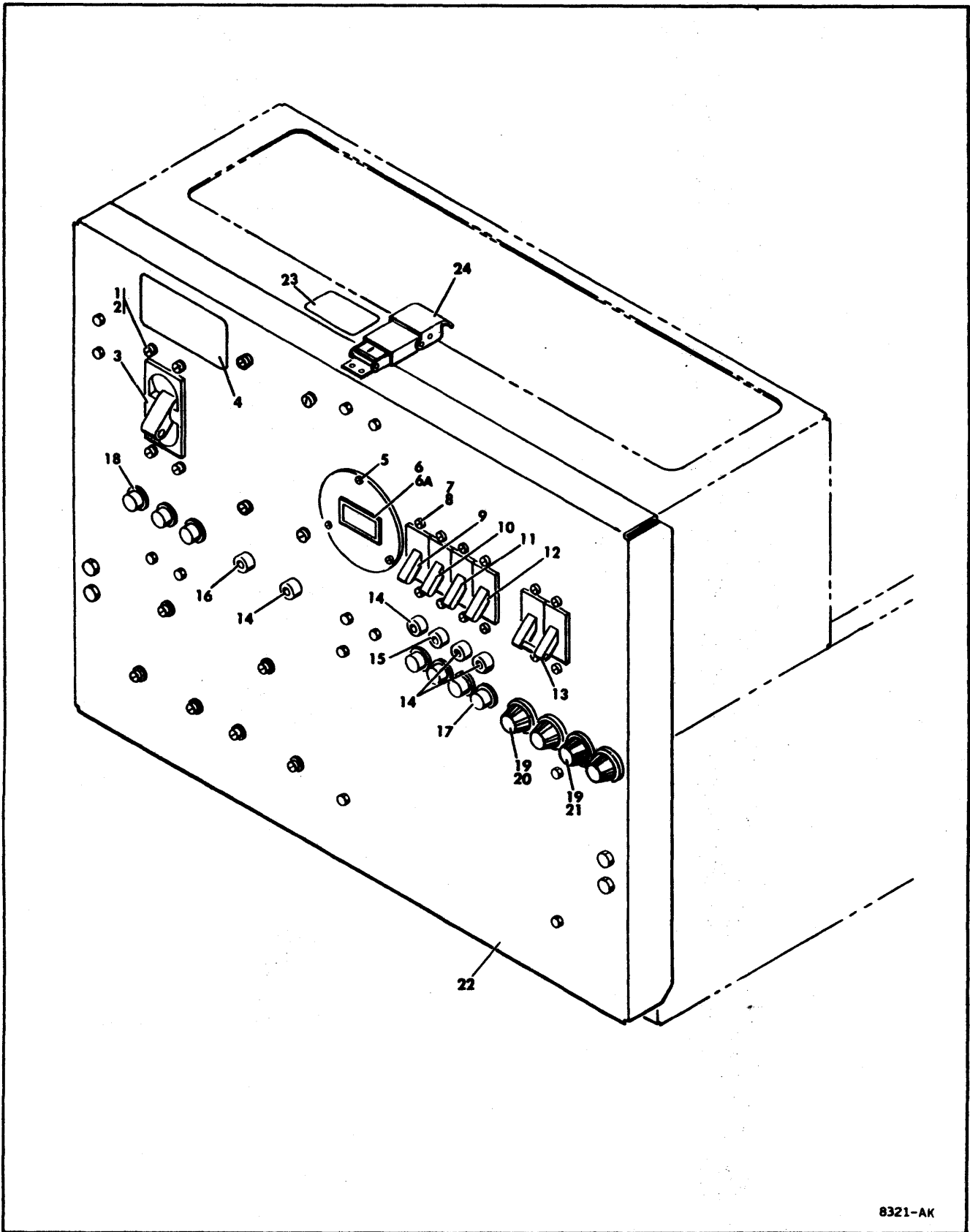
8320-AB

FIGURE 13: POWER SUPPLY ASSEMBLY (SHEET 2 OF 2)

ASSY LEVEL	INDEX NO.	EQUIPMENT PART NUMBER	ITEM DESCRIPTION	MOD. LEVEL				
				A	B			
				NO. REQUIRED				
C	13-	45443123	POWER SUPPLY ASSEMBLY, 60 HERTZ (SHEET 2 OF 2)	1	-			
C	13-	45443124	POWER SUPPLY ASSEMBLY, 50 HERTZ	-	1			
D	-1	93592238	SCREW, MACHINE, HEXAGON WASHER HEAD, 10-24 x 3/8	15	15			
D	-2	41296600	HOUSING, FILTER	1	1			
D	-3	10127342	SCREW, MACHINE, PAN HEAD, SLOTTED, 6-32 x 1-3/4	10	10			
D	-4	10126103	WASHER, LOCK, INTERNAL TOOTH, 6	8	8			
D	-5	94275504	FAN, AXIAL, 230V, 50 CFM	2	2			
D	-6	93840013	GROMMET, RUBBER, 5/8 ID	1	1			
D	-7	94274333	STRIP, MARKER, 3 POSITION	1	1			
D	-8	93590164	SCREW, MACHINE, PAN HEAD, PHILLIPS, 6-32 x 1/2	4	4			
D	-9	41283100	TERMINAL BLOCK ASSEMBLY, TB05	1	1			
E	-	94274112	TERMINAL, SLIDE-ON, 2 TAB, 45°	3	3			
E	-	94274115	TERMINAL, SLIDE-ON, 2 TAB, 90°	3	3			
E	-	94272302	BLOCK, TERMINAL	1	1			
D	-10	93492158	SCREW, MACHINE, HEXAGON WASHER HEAD, 6-32 x 1/4	3	3			
D	-11	41272200	COVER, ACCESS	1	1			
D	-	41250800	LATCH ASSEMBLY, LEFT HAND	1	1			
D	-	41250801	LATCH ASSEMBLY, RIGHT HAND	1	1			
E	-12	41275700	WASHER, RETAINING	1	1			
E	-13	41275800	SPRING, COMPRESSION	1	1			
E	-14	93532142	PIN, ROLL, 0.125 x 1	1	1			
E	-15	41275600	BOLT, LATCH	1	1			
E	-16	93532126	PIN, ROLL, 0.125 x 0.50	2	2			
E	-17	41275500	HANDLE	1	1			
E	-18	41272401	BRACKET, LATCH, RIGHT HAND	1	1			
E	-	41272400	BRACKET, LATCH, LEFT HAND	1	1			
D	-19	94237001	RESISTOR, FIXED, WIREWOUND, 10 OHM, 55W, R13	1	1			
D	-20	10127337	SCREW, MACHINE, PAN HEAD, SLOTTED, 6-32 x 3/4	2	2			
D	-21	10126401	WASHER, LOCK, EXTERNAL TOOTH, 6	10	10			
D	-22	10125105	NUT, HEXAGON, 6-32	8	8			
D	-23	93128168	SCREW, MACHINE, SELF TAPPING, 4-40 x 5/16	2	2			
D	-24	92368000	BLOCK, FUSE MOUNTING	1	1			
D	-25	93418122	FUSE, CARTRIDGE, FAST ACTING, 1 AMP	1	1			
D	-25A	93418133	FUSE, CARTRIDGE, FAST ACTING, 5 AMP	1	1			
D	-26	94237703	TRIM, SAFETY	AR	AR			
D	-27	93879001	JACK, BANANA, INSULATED	3	3			
D	-28	41251200*	DUAL RECTIFIER PLUG-IN ASSEMBLY, CR03	1	1			
E	-	94065010	RECTIFIER, SILICON	2	2			
D	-29	93109317	STANDOFF, SPACER	2	2			
D	-30	92641003	FILTER, LINE, 125 VAC, WITH 100K OHM, 1/4W RESISTOR	2	2			
D	-31	10127336	SCREW, MACHINE, PAN HEAD, SLOTTED, SELF THREAD, 6-32 x 5/8	2	2			
D	-32	94274404	STRIP, MARKER, 4 POSITION	1	1			
D	-33	41283200	TERMINAL BLOCK ASSEMBLY, TB01	1	1			
E	-	94274113	TERMINAL, SLIDE-ON, 2 TAB, 45°	4	4			
E	-	94274116	TERMINAL, SLIDE-ON, 2 TAB, 90°	4	4			
E	-	93047002	BARRIER STRIP	2	2			
E	-	94272329	BLOCK, TERMINAL	1	1			
E	-	10127111	SCREW, MACHINE, PAN HEAD, PHILLIPS, 6-32 x 1/4	4	4			
E	-	10126103	WASHER, LOCK, INTERNAL TOOTH, 6	4	4			
D	-34	10127348	SCREW, MACHINE, PAN HEAD, SLOTTED, 8-32 x 1/2	2	2			
D	-35	40778300	COMPONENT ASSEMBLY, TB20	1	1			
E	-	93935000	RECTIFIER, SILICON, CR44	1	1			
E	-	10127345	SCREW, MACHINE, PAN HEAD, SLOTTED, 8-32 x 1/4	2	2			
E	-	10125606	WASHER, FLAT, 8	2	2			
E	-	93114331	STANDOFF, TAPPED	2	2			
E	-	40778200	BOARD, TERMINAL, TB20	1	1			
D	-36	45686200	CHASSIS, POWER SUPPLY (S/N 12,999 AND BELOW)	1	1			
D	-36	45099900	CHASSIS, POWER SUPPLY (S/N 13,000 AND ABOVE)	1	1			
D	-37	10127355	SCREW, MACHINE, PAN HEAD, SLOTTED, 8-32x1-3/4	2	2			
D	-38	10126402	WASHER, LOCK, EXTERNAL TOOTH, 8	2	2			
D	-39	10125106	NUT, HEXAGON, 8-32	2	2			
D	-40	94237007	RESISTOR, FIXED, WIREWOUND, 1 OHM, 55W, R20, R23	2	2			
B	-41	94223003	FILTER, AIR	1	1			
B	-42	93592158	SCREW, MACHINE, HEXAGON WASHER HEAD, 6-32 x 1/4	4	4			
B	-43	41296500	BRACKET, MOUNTING, FILTER, RIGHT	1	1			
B	-	41296501	BRACKET, MOUNTING, FILTER, LEFT	1	1			

*REPLACE AS A UNIT.





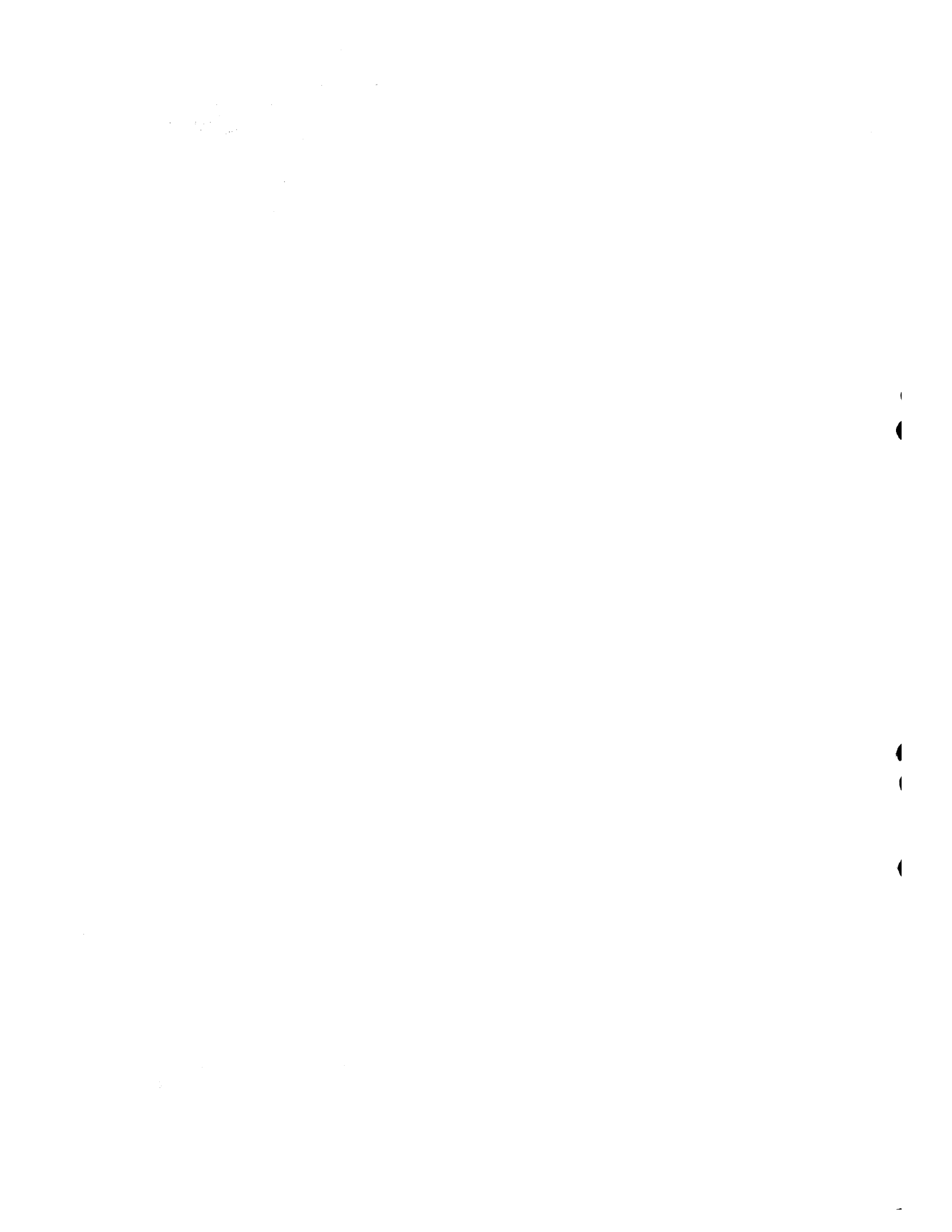
8321-AK

FIGURE 14. FRONT PANEL ASSEMBLY (SHEET 1 OF 2)



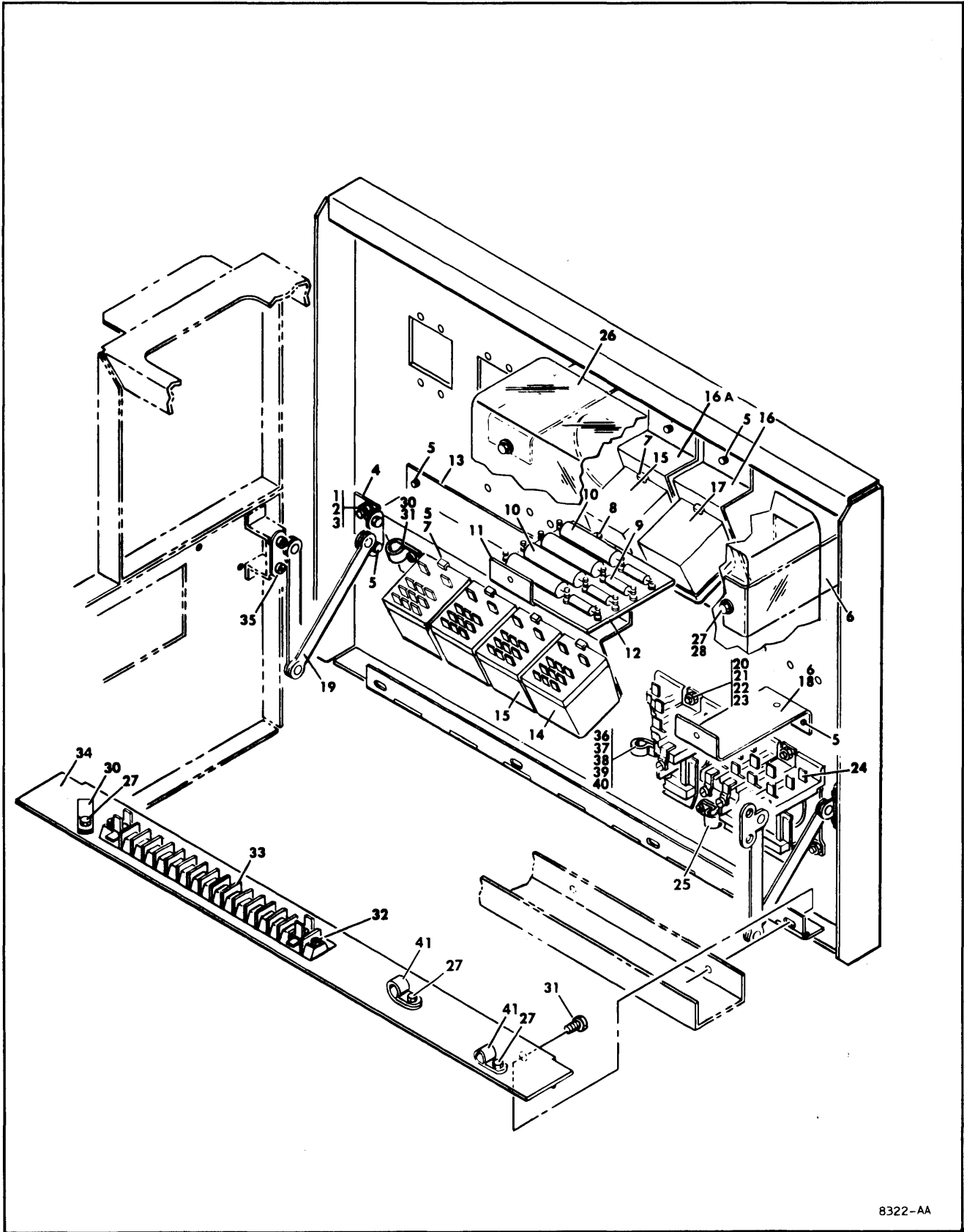
ASSY LEVEL	INDEX NO.	EQUIPMENT PART NUMBER	ITEM DESCRIPTION	MOB. LEVEL			
				A	B		
				QD. REQUIRED			
D	14-	45499900	FRONT PANEL ASSEMBLY, 60 HERTZ (S/N 12, 999 AND BELOW) SHEET 1 OF 2	1	-		
D	14-	45499900	FRONT PANEL ASSEMBLY, 60 HERTZ (S/N 12, 000 AND BELOW)	1	-		
D	14-	70534000	FRONT PANEL ASSEMBLY, 60 HERTZ (S/N 13, 000 AND ABOVE)	1	-		
D	14-	45499901	FRONT PANEL ASSEMBLY, 50 HERTZ (S/N 12, 999 AND BELOW)	-	1		
D	14-	70534001	FRONT PANEL ASSEMBLY, 50 HERTZ (S/N 13, 000 AND ABOVE)	-	1		
E	-1	10127347	SCREW, MACHINE, PAN HEAD, SLOTTED, 8-32 x 3/8	4	4		
E	-2	10126104	WASHER, LOCK, INTERNAL TOOTH, 8	4	4		
E	-3	94268500	CIRCUIT BREAKER, 3P, 5 AMP, 250 VAC, CB01	1	1		
E	-4	46068603	PLATE, WARNING	1	1		
E	-5	93590086	SCREW, MACHINE, PAN HEAD, PHILLIPS, 4-40 x 3/8	3	3		
E	-6	93671004	METER, HOUR, 60 HERTZ, M01 (S/N 12, 999 AND BELOW)	1	-		
E	-6	94313802	METER, HOUR, 60 HERTZ, M01 (S/N 13, 000 AND ABOVE)	1	-		
E	-6	93671003	METER, HOUR, 50 HERTZ, M01 (S/N 12, 999 AND BELOW)	-	1		
E	-6	94313803	METER, HOUR, 50 HERTZ, M01 (S/N 13, 000 AND ABOVE)	-	1		
I	-6A	94274302*	STRIP, MARKER	1	1		
E	-7	10127331	SCREW, MACHINE, PAN HEAD, SLOTTED, 6-32 x 3/16	12	12		
E	-8	10126103	WASHER, LOCK, INTERNAL TOOTH, 6	12	12		
E	-9	92696041	CIRCUIT BREAKER, 1P, 2 AMP, 50 VDC, CB03	1	1		
E	-10	92696027	CIRCUIT BREAKER, 1P, 6 AMP, 50 VDC, CB02	1	1		
E	-11	92696039	CIRCUIT BREAKER, 1P, 5 AMP, 50 VDC, CB04	1	1		
E	-12	92696037	CIRCUIT BREAKER, 1P, 0.5 AMP, 50 VDC, CB05	1	1		
E	-13	94268308	CIRCUIT BREAKER, 2P, 7 AMP, 50 VDC	1	1		
E	-14	93672003	JACK, BANANA, NYLON, RED, TP03 THRU TP06	4	4		
E	-15	93672005	JACK, BANANA, NYLON, LIGHT BLUE, TP01	1	1		
E	-16	93672001	JACK, BANANA, NYLON, BLACK, TP02	1	1		
E	-17	94039102	INDICATOR, LIGHT, INCANDESCENT, 24V, DS01 THRU DS03, DS07	4	4		
E	-18	94039104	INDICATOR, LIGHT, NEON, 250V, DS04 THRU DS06	3	3		
E	-19	92411002	FUSEHOLDER	4	4		
E	-21	92412003	FUSE, CARTRIDGE, SLOW-BLOW, 1 AMP	3	3		
E	-22	40514800	PANEL, FRONT (S/N 12, 999 AND BELOW)	1	1		
E	-22	70532900	PANEL, FRONT (S/N 13, 000 AND ABOVE)	1	1		
D	-23	46068603	PLATE, WARNING, DANGER	1	1		
D	-24	94225100	DRAWBOLT	1	1		

*FCO KIT PER FCO PM5229 (S/N 12, 999 AND BELOW)



ASSY LEVEL	INDEX NO.	EQUIPMENT PART NUMBER	ITEM DESCRIPTION	MOD. LEVEL					
				A	B				
				NO. REQUIRED					
D	14-	45489900	FRONT PANEL ASSEMBLY, 60 HERTZ (SHEET 1 OF 2)	1	-				
D	14-	45499901	FRONT PANEL ASSEMBLY, 50 HERTZ	-	1				
E	-1	10127347	SCREW, MACHINE, PAN HEAD, SLOTTED, 8-32 x 3/8	4	4				
E	-2	10126104	WASHER, LOCK, INTERNAL TOOTH, 8	4	4				
E	-3	94268500	CIRCUIT BREAKER, 3P, 5 AMP, 250 VAC, CB01	1	1				
E	-4	46068603	PLATE, WARNING	1	1				
E	-5	93590086	SCREW, MACHINE, PAN HEAD, PHILLIPS, 4-40 x 3/8	3	3				
E	-6	93671004	METER, HOUR, 60 HERTZ, M01	1	-				
E	-6	93671003	METER, HOUR, 50 HERTZ, M01	-	1				
E	-7	10127331	SCREW, MACHINE, PAN HEAD, SLOTTED, 6-32 x 3/16	12	12				
E	-8	10126103	WASHER, LOCK, INTERNAL TOOTH, 8	12	12				
E	-9	92696041	CIRCUIT BREAKER, 1P, 2 AMP, 50 VDC, CB03	1	1				
E	-10	92696027	CIRCUIT BREAKER, 1P, 6 AMP, 50 VDC, CB02	1	1				
E	-11	92696039	CIRCUIT BREAKER, 1P, 6 AMP, 50 VDC, CB04	1	1				
E	-12	92696037	CIRCUIT BREAKER, 1P, 0.5 AMP, 50 VDC, CB05	1	1				
E	-13	94268308	CIRCUIT BREAKER, 2P, 7 AMP, 50 VDC	1	1				
E	-14	93672003	JACK, BANANA, NYLON, RED, TP03 THRU TP06	4	4				
E	-15	93672005	JACK, BANANA, NYLON, LIGHT BLUE, TP01	1	1				
E	-16	93672001	JACK, BANANA, NYLON, BLACK, TP02	1	1				
E	-17	94039102	INDICATOR, LIGHT, INCANDESCENT, 24V, DS01 THRU DS03, DS07	4	4				
E	-18	94039104	INDICATOR, LIGHT, NEON, 250V, DS04 THRU DS06	3	3				
E	-19	92411002	FUSEHOLDER	4	4				
E	-20	93418133	FUSE, CARTRIDGE, FAST ACTING, 5 AMP	1	1				
E	-21	92412003	FUSE, CARTRIDGE, SLOW-BLOW, 1 AMP	3	3				
E	-22	40514800	PANEL, FRONT	1	1				
D	-23	46068603	PLATE, WARNING, DANGER	1	1				
D	-24	94225100	DRAWBOLT	1	1				

alte Rev.



8322-AA

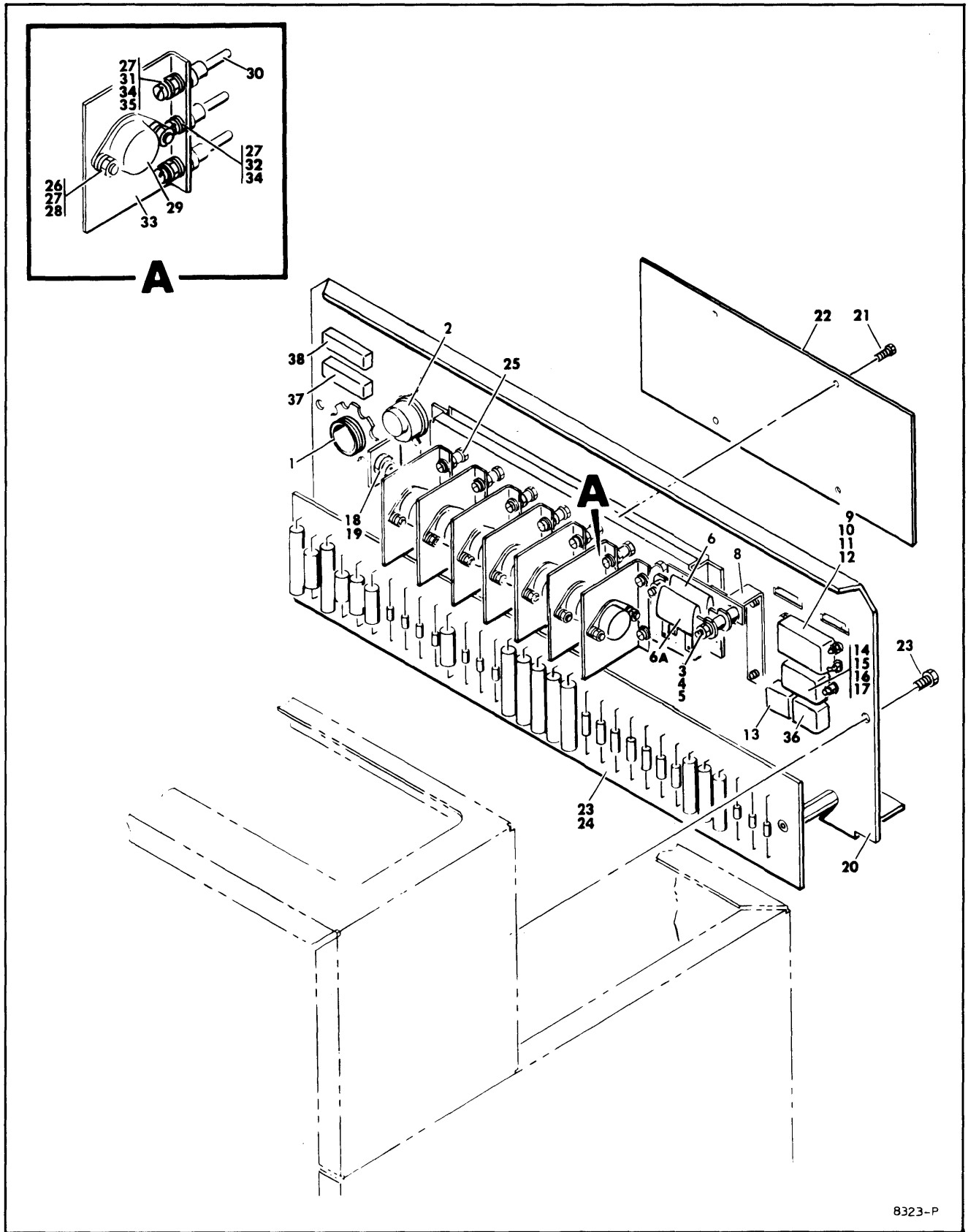
FIGURE 14. FRONT PANEL ASSEMBLY (SHEET 2 OF 2)

ASSY LEVEL	INDEX NO.	EQUIPMENT PART NUMBER	ITEM DESCRIPTION	MOD. LEVEL			
				A	B		
				NO. REQUIRED			
D	14-	45499900	FRONT PANEL ASSEMBLY, 60 HERTZ (S/N 12,999 AND BELOW) SHEET 2 OF 2	1	-		
D	14-	70534000	FRONT PANEL ASSEMBLY, 60 HERTZ (S/N 13,000 AND ABOVE)	1	-		
D	14-	45499901	FRONT PANEL ASSEMBLY, 50 HERTZ (S/N 12,999 AND BELOW)	-	1		
D	14-	70534001	FRONT PANEL ASSEMBLY, 50 HERTZ (S/N 13000 AND ABOVE)	-	1		
E	-1	10127378	SCREW, MACHINE, PAN HEAD, SLOTTED, 10-32 x 5/16	4	4		
E	-2	10126403	WASHER, LOCK, EXTERNAL TOOTH, 10	4	4		
E	-3	10125108	NUT, HEXAGON, 10-32	4	4		
E	-4	45527200	BRACKET, FALL, SUPPORT	2	2		
E	-5	93592158	SCREW, MACHINE, HEXAGON WASHER HEAD, 6-32 x 1/4	26	26		
E	-6	45529400	BRACKET, MOUNTING, SHIELD	3	3		
E	-7	94271500	BRACKET, MOUNTING, RELAY	6	6		
E	-	45592700	ARC SUPPRESSOR ASSEMBLY, TB09	1	1		
F	-8	93590162	SCREW, MACHINE, PAN HEAD, PHILLIPS, 6-32 x 3/8	2	2		
F	-9	92512434	RESISTOR, FIXED, COMPOSITION, 100 OHM, 2W	4	4		
F	-10	92496245	CAPACITOR, FIXED, PLASTIC, 0.22 UF, 600 VDC	4	4		
F	-11	45529400	BRACKET, MOUNTING, TERMINAL BOARD	1	1		
F	-12	45504800	BOARD, TERMINAL	1	1		
E	-13	41271300	BRACKET, SUPPORT	1	1		
E	-14	94268602	RELAY, POWER, 3 PDT, 36 VDC, K01	1	1		
E	-15	94268600	RELAY, POWER, 3 PDT, 20 VDC, K05 A/B, K04, K08	4	4		
E	-16	45591000	BRACKET, MOUNTING, RELAY	1	1		
E	-16A	45591001	BRACKET, MOUNTING, RELAY	1	1		
E	-17	94268603	RELAY, POWER, 3 PDT, 230 VDC, K06	1	1		
E	-18	94237703	TRIM, SAFETY	AR	AR		
E	-19	94225200	SUPPORT, FALL	2	2		
E	-20	10127349	SCREW, MACHINE, PAN HEAD, SLOTTED, 8-32 x 5/8	6	6		
E	-21	10125606	WASHER, PLAIN, 8	6	6		
E	-22	10126402	WASHER, LOCKER, EXTERNAL TOOTH, 8	6	6		
E	-23	10125106	NUT, HEXAGON, 8-32	6	6		
E	-24	92643005	RELAY, POWER, 4 PDT, K02, K03	2	2		
E	-25	92602005	CLAMP, CABLE, NYLON, 0.31 ID	1	1		
D	-26	45473700	SHIELD, FRONT PANEL	1	1		
D	-27	93592158	SCREW, MACHINE, HEXAGON WASHER HEAD, 6-32 x 1/4	7	7		
D	-28	93564001	WASHER, PLAIN, NYLON, 3/16 ID	4	4		
	-29		NOT USED				
D	-30	92602010	CLAMP, CABLE, NYLON, 0.68 ID	2	2		
D	-31	93592238	SCREW, MACHINE, HEXAGON WASHER HEAD, 10-24 x 3/8	5	5		
D	-32	93590164	SCREW, MACHINE, PAN HEAD, PHILLIPS, 6-32 x 1/2	2	2		
D	-33	41283300	TERMINAL BLOCK ASSEMBLY, TB02	1	1		
E	-	94274101	TERMINAL, SLIDE-ON, 1 TAB, FLAT	16	16		
E	-	94274104	TERMINAL, SLIDE-ON, 1 TAB, 45°	16	16		
E	-	94274116	TERMINAL, SLIDE-ON, 1 TAB, 90°	16	16		
E	-	93047002	BARRIER, STRIP	7	7		
E	-	94272341	BLOCK, TERMINAL	1	1		
E	-	10127113	SCREW, MACHINE, PAN HEAD, PHILLIPS, 6-32 x 3/8	10	10		
E	-	10127111	SCREW, MACHINE, PAN HEAD, PHILLIPS, 6-32 x 1/4	6	6		
E	-	10126103	WASHER, LOCK, INTERNAL TOOTH, 6	16	16		
D	-34	41281300	BRACKET, MOUNTING, TERMINAL BLOCK	1	1		
D	-35	93590158	SCREW, MACHINE, PAN HEAD, PHILLIPS, 6-32 x 1/4	4	4		
D	-36	92602005	CLAMP, CABLE, NYLON, 0.38 ID	1	1		
D	-37	92780206	SCREW, MACHINE, PAN HEAD, SLOTTED, 8-32 x 3/4	1	1		
D	-38	10125606	WASHER, PLAIN, 8	1	1		
D	-39	10126402	WASHER, LOCK, EXTERNAL TOOTH, 8	1	1		
D	-40	10125106	NUT, HEXAGON, 8-32	1	1		
D	-41	92602004	CLAMP, CABLE, NYLON, 0.31 ID	2	2		



ASSY LEVEL	INDEX NO.	EQUIPMENT PART NUMBER	ITEM DESCRIPTION	MOD. LEVEL				
				A	B			
				NO. REQUIRED				
D	14-	45499900	FRONT PANEL ASSEMBLY, 60 HERTZ (SHEET 2 OF 2)	1	-			
D	14-	45499901	FRONT PANEL ASSEMBLY, 50 HERTZ	-	1			
E	-1	10127378	SCREW, MACHINE, PAN HEAD, SLOTTED, 10-32 x 5/16	4	4			
E	-2	10126403	WASHER, LOCK, EXTERNAL TOOTH, 10	4	4			
E	-3	10125108	NUT, HEXAGON, 10-32	4	4			
E	-4	45527200	BRACKET, FALL, SUPPORT	2	2			
E	-5	93592158	SCREW, MACHINE, HEXAGON WASHER HEAD, 6-32 x 1/4	26	26			
E	-6	45529400	BRACKET, MOUNTING, SHIELD	3	3			
E	-7	94271100	BRACKET, MOUNTING, RELAY	6	6			
E	-	45592700	ARC SUPPRESSOR ASSEMBLY, TB09	1	1			
F	-8	93590162	SCREW, MACHINE, PAN HEAD, PHILLIPS, 6-32 x 3/8	2	2			
F	-9	92512434	RESISTOR, FIXED, COMPOSITION, 100 OHM, 2W	4	4			
F	-10	92496245	CAPACITOR, FIXED, PLASTIC, 0.22 UF, 600 VDC	4	4			
F	-11	45529400	BRACKET, MOUNTING, TERMINAL BOARD	1	1			
F	-12	45504800	BOARD, TERMINAL	1	1			
E	-13	41271300	BRACKET, SUPPORT	1	1			
E	-14	94268602	RELAY, POWER, 3 PDT, 36 VDC, K01	1	1			
E	-15	94268600	RELAY, POWER, 3 PDT, 20 VDC, K05 A/B, K04, K08	4	4			
E	-16	45591000	BRACKET, MOUNTING, RELAY	1	1			
E	-16A	45591001	BRACKET, MOUNTING, RELAY	1	1			
E	-17	94268603	RELAY, POWER, 3 PDT, 230 VDC, K06	1	1			
E	-18	94237703	TRIM, SAFETY	AR	AR			
E	-19	94225200	SUPPORT, FALL	2	2			
E	-20	10127349	SCREW, MACHINE, PAN HEAD, SLOTTED, 8-32 x 5/8	6	6			
E	-21	10125606	WASHER, PLAIN, 8	6	6			
E	-22	10126402	WASHER, LOCKER, EXTERNAL TOOTH, 8	6	6			
E	-23	10125106	NUT, HEXAGON, 8-32	6	6			
E	-24	92643005	RELAY, POWER, 4 PDT, K02, K03	2	2			
E	-25	92602005	CLAMP, CABLE, NYLON, 0.31 ID	1	1			
D	-26	45473700	SHIELD, FRONT PANEL	1	1			
D	-27	93592158	SCREW, MACHINE, HEXAGON WASHER HEAD, 6-32 x 1/4	7	7			
D	-28	93564001	WASHER, PLAIN, NYLON, 3/16 ID	4	4			
	-29		NOT USED					
D	-30	92602010	CLAMP, CABLE, NYLON, 0.68 ID	2	2			
D	-31	93592238	SCREW, MACHINE, HEXAGON WASHER HEAD, 10-24 x 3/8	5	5			
D	-32	93590164	SCREW, MACHINE, PAN HEAD, PHILLIPS, 6-32 x 1/2	2	2			
D	-33	41283300	TERMINAL BLOCK ASSEMBLY, TB02	1	1			
E	-	94274101	TERMINAL, SLIDE-ON, 1 TAB, FLAT	16	16			
E	-	94274104	TERMINAL, SLIDE-ON, 1 TAB, 45°	16	16			
E	-	94274116	TERMINAL, SLIDE-ON, 1 TAB, 90°	16	16			
E	-	93047002	BARRIER, STRIP	7	7			
E	-	94272341	BLOCK, TERMINAL	1	1			
E	-	10127113	SCREW, MACHINE, PAN HEAD, PHILLIPS, 6-32 x 3/8	10	10			
E	-	10127111	SCREW, MACHINE, PAN HEAD, PHILLIPS, 6-32 x 1/4	6	6			
E	-	10126103	WASHER, LOCK, INTERNAL TOOTH, 6	16	16			
D	-34	41281300	BRACKET, MOUNTING, TERMINAL BLOCK	1	1			
D	-35	93590158	SCREW, MACHINE, PAN HEAD, PHILLIPS, 6-32 x 1/4	1	4			
D	-36	92602005	CLAMP, CABLE, NYLON, 0.38 ID	1	1			
D	-37	92790206	SCREW, MACHINE, PAN HEAD, SLOTTED, 8-32 x 3/4	1	1			
D	-38	10125606	WASHER, PLAIN, 8	1	1			
D	-39	10126402	WASHER, LOCK, EXTERNAL TOOTH, 8	1	1			
D	-40	10125106	NUT, HEXAGON, 8-32	1	1			
D	-41	92602004	CLAMP, CABLE, NYLON, 0.31 ID	2	2			

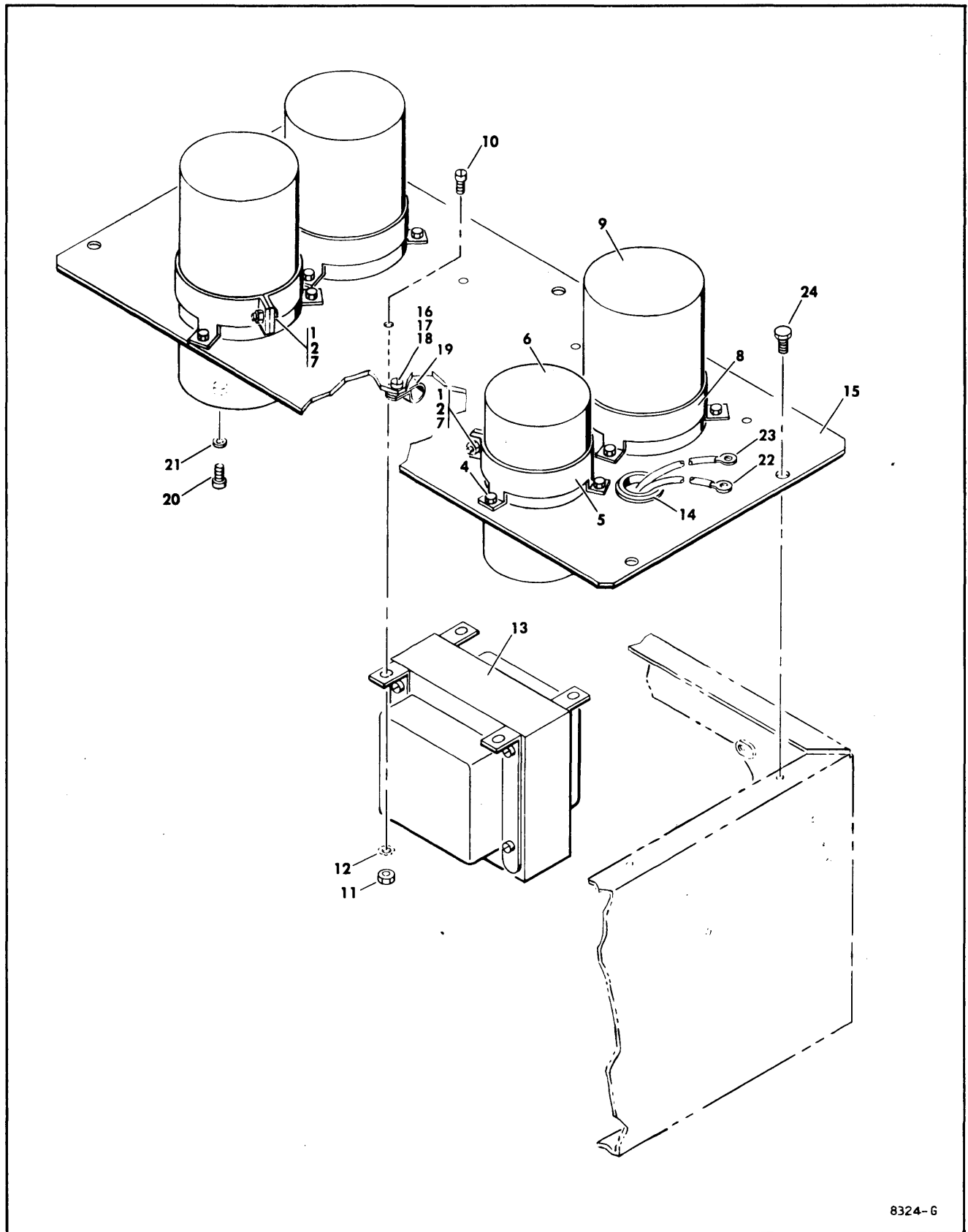
alter Rev.



8323-P

FIGURE 15. VERTICAL PANEL ASSEMBLY

ASSY LEVEL	INDEX NO.	EQUIPMENT PART NUMBER	ITEM DESCRIPTION	MOD. LEVEL					
				A	B				
				NO. REQUIRED					
D	15-	45685301	VERTICAL PANEL ASSEMBLY	1	1				
E	-1	92801002	CLAMP, CABLE, METAL	1	1				
E	-2	93700308	RHEOSTAT, 25 OHM, 12-1/2W, R12	2	2				
E	-3	10127353	SCREW, MACHINE, PAN HEAD, SLOTTED, 8-32 x 1-1/4	2	2				
E	-4	10125106	NUT, HEXAGON, 8-32	2	2				
E	-5	10126402	WASHER, LOCK, EXTERNAL TOOTH, 8	2	2				
E	-6	94237000	RESISTOR, FIXED WIREWOUND, 1 OHM, 30W, R18	1	1				
E	-6A	94237003	RESISTOR, FIXED, WIREWOUND, 40 OHM, 30W	1	1				
E	-7	93592158	SCREW, MACHINE, HEXAGON WASHER HEAD, 6-32 x 1/4	2	2				
E	-8	45689901	BRACKET, MOUNTING, RESISTOR	1	1				
E	-9	93643004	PIN, CORNER GUIDE	2	2				
E	-10	93643005	SOCKET, CORNER GUIDE	2	2				
E	-11	93643020	CATCH, CONNECTOR	2	2				
E	-12	93643016	CONNECTOR, RECEPTACLE, 34 SOCKET, J03	1	1				
E	-13	93947001	CONNECTOR, RECEPTACLE, 9 PIN, J35	1	1				
E	-14	93960004	PIN, CENTER GUIDE	1	1				
E	-15	93960005	SOCKET, CENTER GUIDE	1	1				
E	-16	93960021	CATCH, CONNECTOR	2	2				
E	-17	93960016	CONNECTOR RECEPTACLE, 26 SOCKET, J07	1	1				
E	-18	93409005	DIODE, ZENER, Z01	1	1				
E	-19	94119000	HARDWARD MOUNTING DIODE	1	1				
E	-20	45440800	PANEL, VERTICAL	1	1				
D	-21	93592158	SCREW, MACHINE, HEXAGON WASHER HEAD, 6-32 x 1/4	4	4				
D	-22	41291100	COVER, ACCESS	1	1				
D	-23	93592238	SCREW, MACHINE, HEXAGON WASHER HEAD, 10-24 x 3/8	6	6				
D	-24	45484601	COMPONENT ASSEMBLY, TB03	1	1				
E	-	93935000	RECTIFIER, SILICON, CR05 THRU CR07, CR09 THRU CR12, CR41	10	10				
E	-	92512991	RESISTOR, FIXED, WIREWOUND, 100 OHM, 10W, R06	3	3				
E	-	92512987	RESISTOR, FIXED, WIREWOUND, 10 OHM, 5W, R07	1	1				
E	-	92512989	RESISTOR, FIXED, WIREWOUND, 50 OHM, 10W, R08	1	1				
E	-	92512935	RESISTOR, FIXED, COMPOSITION, 680 OHM, 2W, R09	1	1				
E	-	92512985	RESISTOR, FIXED, WIREWOUND, 35 OHM, 10W, R27 THRU R31	5	5				
E	-	92512399	RESISTOR, FIXED, COMPOSITION, 1.2K OHM, 1W, R15, R16, R19, R21, R22, R24, R26	7	7				
E	-	92825001	RESISTOR, FIXED, WIREWOUND, 0.1 OHM, 7W, R32 THRU R34	3	3				
E	-	41276100	STANDOFF, TAPPED	3	3				
E	-	45484301	BLANK, CARD	1	1				
D	-25	93879001	JACK, BANANA, NON-INSULATED	21	21				
D	-	41251100	POWER TRANSISTOR PLUG-IN ASSEMBLY	7	7				
E	-26	92780162	SCREW, MACHINE, PAN HEAD, SLOTTED, 6-32 x 3/8	2	2				
E	-27	10126401	WASHER, LOCK, INTERNAL TOOTH, 6	10	10				
E	-28	10125105	NUT HEXAGON, 6-32	4	4				
E	-29	50220700	TRANSISTOR, PNP	1	1				
E	-30	92616001	PLUG, BANANA	3	3				
E	-31	92615001	WASHER, SHOULDER, FIBRE	4	4				
E	-32	10127335	SCREW, MACHINE, PAN HEAD, SLOTTED, 6-32 x 1/2	1	1				
E	-33	41277200	HEATSINK	1	1				
E	-34	93213007	WASHER, FLAT, 10	3	3				
E	-35	92780166	SCREW, MACHINE, PAN HEAD, SLOTTED, 6-32 x 5/8	2	2				
D	-	45447400	CABLE HARNESS ASSEMBLY, DC	1	1				
E	-36	93947000	CONNECTOR, RECEPTACLE, 6 SOCKET, J06	1	1				
E	-	93645001	CONTACT, SOCKET, 18-16 WIRE RANGE	10	10				
E	-	93645002	CONTACT, SOCKET, 22-20 WIRE RANGE	30	30				
E	-	93643001	CONTACT, SOCKET, 22-18 WIRE RANGE	11	11				
D	-	45485200	CABLE HARNESS ASSEMBLY, AC	1	1				
E	-37	93947000	CONNECTOR, RECEPTACLE, 6 SOCKET, J04	1	1				
E	-38	93947003	CONNECTOR, RECEPTACLE, 3 SOCKET, J05	1	1				
E	-	93943002	CONTACT, SOCKET, 18-14 WIRE RANGE	8	8				

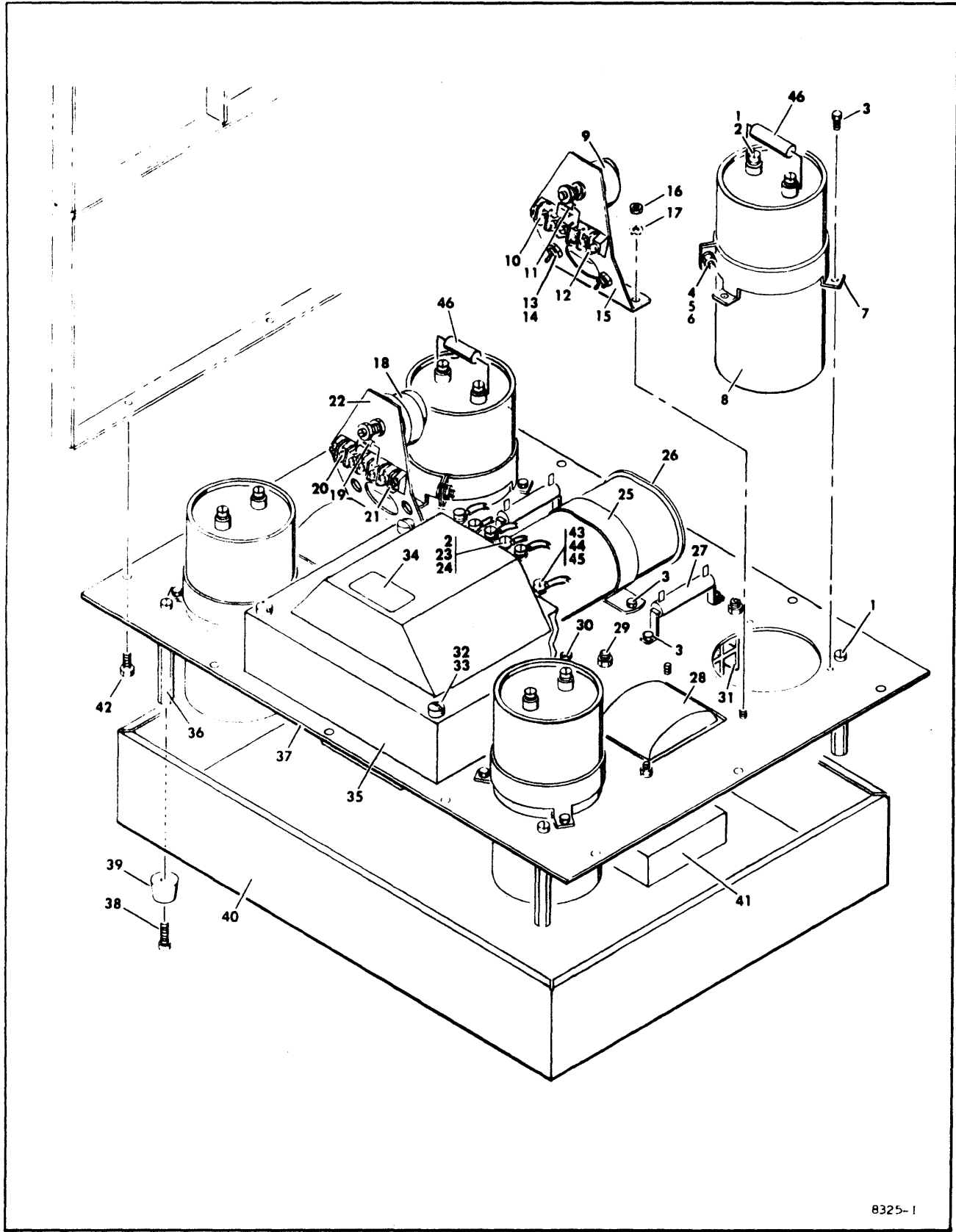


8324-G

FIGURE 16. HORIZONTAL PANEL ASSEMBLY

ASSY LEVEL	INDEX NO.	EQUIPMENT PART NUMBER	ITEM DESCRIPTION	MOD. LEVEL				
				A	B			
				NO. REQUIRED				
D	16-	41253500	HORIZONTAL PANEL ASSEMBLY	1	1			
E	-1	10125107	NUT, HEXAGON, 10-24	4	4			
E	-2	10126403	WASHER, LOCK, EXTERNAL TOOTH, 10	4	4			
	-3		NOT USED					
E	-4	93592158	SCREW, MACHINE, HEXAGON HEAD, 6-32 x 1/4	12	12			
E	-5	92631004	BRACKET, MOUNTING, CAPACITOR	1	1			
E	-6	92632037	CAPACITOR, FIXED, ELECTROLYTIC, 15K UF, 50V, C07	1	1			
E	-7	10125048	SCREW, MACHINE, HEXAGON HEAD, 10-24 x 3/4	4	4			
E	-8	92631006	BRACKET, MOUNTING, CAPACITOR	3	3			
E	-9	92632002	CAPACITOR, FIXED, ELECTROLYTIC, 50K UF, 25V, C09 THRU C11	3	3			
E	-10	92780200	SCREW, MACHINE, PAN HEAD, SLOTTED, 8-32 x 3/8	4	4			
E	-11	10125106	NUT, HEXAGON, 8-32	4	4			
E	-12	10126402	WASHER, LOCK, EXTERNAL TOOTH, 8	4	4			
E	-13	94222800	TRANSFORMER, POWER, 1 AMP, T02	1	1			
E	-14	93840013	GROMMET, RUBBER, 5/8 ID	1	1			
E	-15	41271800	PANEL, HORIZONTAL	1	1			
D	-16	10127348	SCREW, MACHINE, PAN HEAD, SLOTTED, 8-32 x 1/2	1	1			
D	-17	10126402	WASHER, LOCK, EXTERNAL TOOTH, 8	1	1			
D	-18	10125106	NUT, HEXAGON, 8-32	1	1			
D	-19	92602005	CLAMP, CABLE, NYLON, 0.42 ID	1	1			
D	-20	10127379	SCREW, MACHINE, PAN HEAD, SLOTTED, 10-32 x 3/8	6	6			
D	-21	10126105	WASHER, LOCK, INTERNAL TOOTH, 10	6	6			
D	-22	94281401	CABLE, GROUND, 49 LONG	1	1			
	-23		NOT APPLICABLE					
D	-24	93592238	SCREW, MACHINE, HEXAGON WASHER HEAD, 10-24 x 3/8	6	6			





8325-1

FIGURE 17. DC POWER PANEL ASSEMBLY



ASSY LEVEL	INDEX NO.	EQUIPMENT PART NUMBER	ITEM DESCRIPTION	MOD. LEVEL				
				A	B			
				NO. REQUIRED				
D	17-	46819506	DC POWER PANEL ASSEMBLY, 60 HERTZ	1	-			
D	17-	46819507	DC POWER PANEL ASSEMBLY, 50 HERTZ	-	1			
E	-1	10127379	SCREW, MACHINE, PAN HEAD, SLOTTED, 10-32 x 3/8	12	12			
E	-2	10126105	WASHER, LOCK, INTERNAL TOOTH, 10	15	15			
E	-3	93592158	SCREW, MACHINE, HEXAGON WASHER HEAD, 6-32 x 1/4	20	20			
E	-4	10125048	SCREW, MACHINE, HEXAGON CAP HEAD, 10-24 x 3/4	4	4			
E	-5	10126403	WASHER, LOCK, EXTERNAL TOOTH, 10	8	8			
E	-6	10125107	NUT, HEXAGON, 10-24	4	4			
E	-7	92631006	BRACKET, MOUNTING, CAPACITOR	4	4			
E	-8	92632002	CAPACITOR, FIXED, ELECTROLYTIC, 50,000 UF, 25V, C01 THRU C04	4	4			
E	-	46815500	VOLTAGE ADJUST ASSEMBLY, +20 VDC	1	1			
E	-9	93720324	RHEOSTAT, 6 OHM, 25W, R03	1	1			
E	-10	93590164	SCREW, MACHINE, PAN HEAD, PHILLIPS, 6-32 x 1/2	2	2			
E	-11	45595600	SILICON RECTIFIER ASSEMBLY, CR13	1	1			
G	-	93935000	RECTIFIER, SILICON	1	1			
G	-	93747022	RECEPTACLE, SLIDE-ON	2	2			
E	-12	45595502	TERMINAL BLOCK ASSEMBLY, TB06	1	1			
G	-	94274110	TERMINAL, QUICK CONNECT, 2 TAB, FLAT	2	2			
G	-	94274116	TERMINAL, QUICK CONNECT, 2 TAB, 90°	5	5			
G	-	94274113	TERMINAL, QUICK CONNECT, 2 TAB, 45°	5	5			
G	-	94272330	BLOCK, TERMINAL	1	1			
E	-13	94119000	MOUNTING HARDWARD KIT, INSULATING	2	2			
E	-14	94065010	RECTIFIER, SILICON	2	2			
F	-15	46815800	BRACKET, MOUNTING, VOLTAGE ADJUST	1	1			
E	-16	10125106	NUT, HEXAGON, 8-32	8	8			
E	-17	10126402	WASHER, LOCK, EXTERNAL TOOTH, 8	8	8			
E	-	46815700	VOLTAGE ADJUST ASSEMBLY, -20 VDC	1	1			
F	-18	93719326	RHEOSTAT, 2 OHM, 50W, R04	1	1			
E	-19	45595600	SILICON RECTIFIER ASSEMBLY, CR14	1	1			
G	-	93935000	RECTIFIER, SILICON	1	1			
G	-	93747022	RECEPTACLE, SLIDE-ON	2	2			
E	-20	93590164	SCREW, MACHINE, PAN HEAD, PHILLIPS, 6-32 x 1/2	2	2			
E	-21	45595502	TERMINAL BLOCK ASSEMBLY, TB07	1	1			
G	-	94274110	TERMINAL, QUICK CONNECT, 2 TAB, FLAT	2	2			
G	-	94274116	TERMINAL, QUICK CONNECT, 2 TAB, 90°	5	5			
G	-	94274113	TERMINAL, QUICK CONNECT, 2 TAB, 45°	5	5			
G	-	94272330	BLOCK, TERMINAL	1	1			
F	-22	46815801	BRACKET, MOUNTING, RHEOSTAT	1	1			
E	-23	10127381	SCREW, MACHINE, PAN HEAD, SLOTTED, 10-32 x 5/8	7	7			
E	-24	10125108	NUT, HEXAGON, 10-32	7	7			
E	-25	92826002	BRACKET, MOUNTING, CAPACITOR	2	2			
E	-26	92639007	CAPACITOR, FIXED, ELECTROLYTIC, 20 UF, 370 VAC, C05, C06	2	2			
E	-27	92758017	RESISTOR, FIXED, WIREWOUND, 50 OHM, 20W, R01, R02	2	2			
E	-28	92642001	CHOKE, FILTER, 0.11 OHM, 12.5 AMP, L01, L02	2	2			
E	-29	93879001	JACK, BANANA, NON-INSULATED	6	6			
E	-30	93840026	GROMMET, RUBBER, 3/16 ID	2	2			
E	-31	46266700*	DUAL RECTIFIER PLUG-IN ASSEMBLY, CR01, CR02	2	2			
E	-	92713006	RECTIFIER, SILICON, 18 AMP, -200V	1	1			
E	-	92713005	RECTIFIER, SILICON, 18 AMP, +200V	1	1			
E	-32	10125301	NUT, HEXAGON, 1/4-20	4	4			
E	-33	10126404	WASHER, LOCK, EXTERNAL TOOTH, 1/4	4	4			
E	-34	46068600	PLATE, WARNING, DANGER	1	1			
E	-35	94308700	TRANSFORMER, REGULATING, 11 AMP, 60 HERTZ, T01	1	-			
E	-35	94308500	TRANSFORMER, REGULATING, 11 AMP, 70 HERTZ, T01	-	1			
E	-36	93114360	STANDOFF, SPACER, TAPPED, 10-32	4	4			
E	-37	41275900	PANEL, DC	1	1			
E	-	46819700	WIRING HARNESS ASSEMBLY, DC POWER PANEL	1	1			
D	-38	10127381	SCREW, MACHINE, PAN HEAD, SLOTTED, 10-32 x 5/8	4	4			
D	-39	92490002	BUMPER, RECESSED, RUBBER	4	4			
D	-40	46811600	SAFETY COVER ASSEMBLY	1	1			
E	-41	46811500	PAD, CORK	2	2			
D	-42	93592238	SCREW, MACHINE, HEXAGON WASHER HEAD, 10-24 x 3/8	12	12			
D	-43	10127379	SCREW, MACHINE, PAN HEAD, SLOTTED, 10-32 x 3/8	4	4			
D	-44	10126403	WASHER, LOCK, EXTERNAL TOOTH, 10	4	4			
D	-45	10125108	NUT, HEXAGON, 10-32	4	4			
D	-46	45483100	BLEEDER RESISTOR ASSEMBLY	2	2			

*REPLACE AS A UNIT



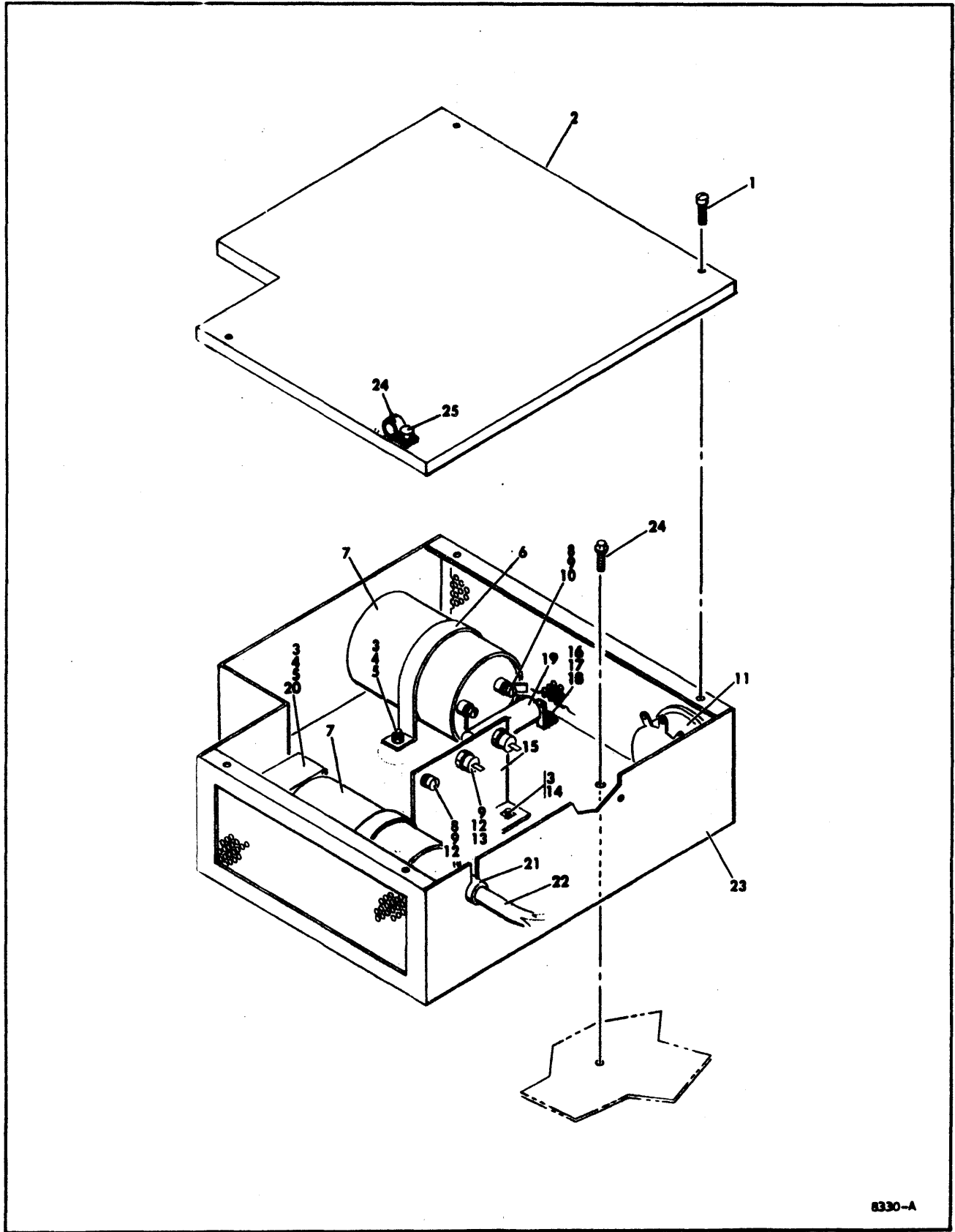
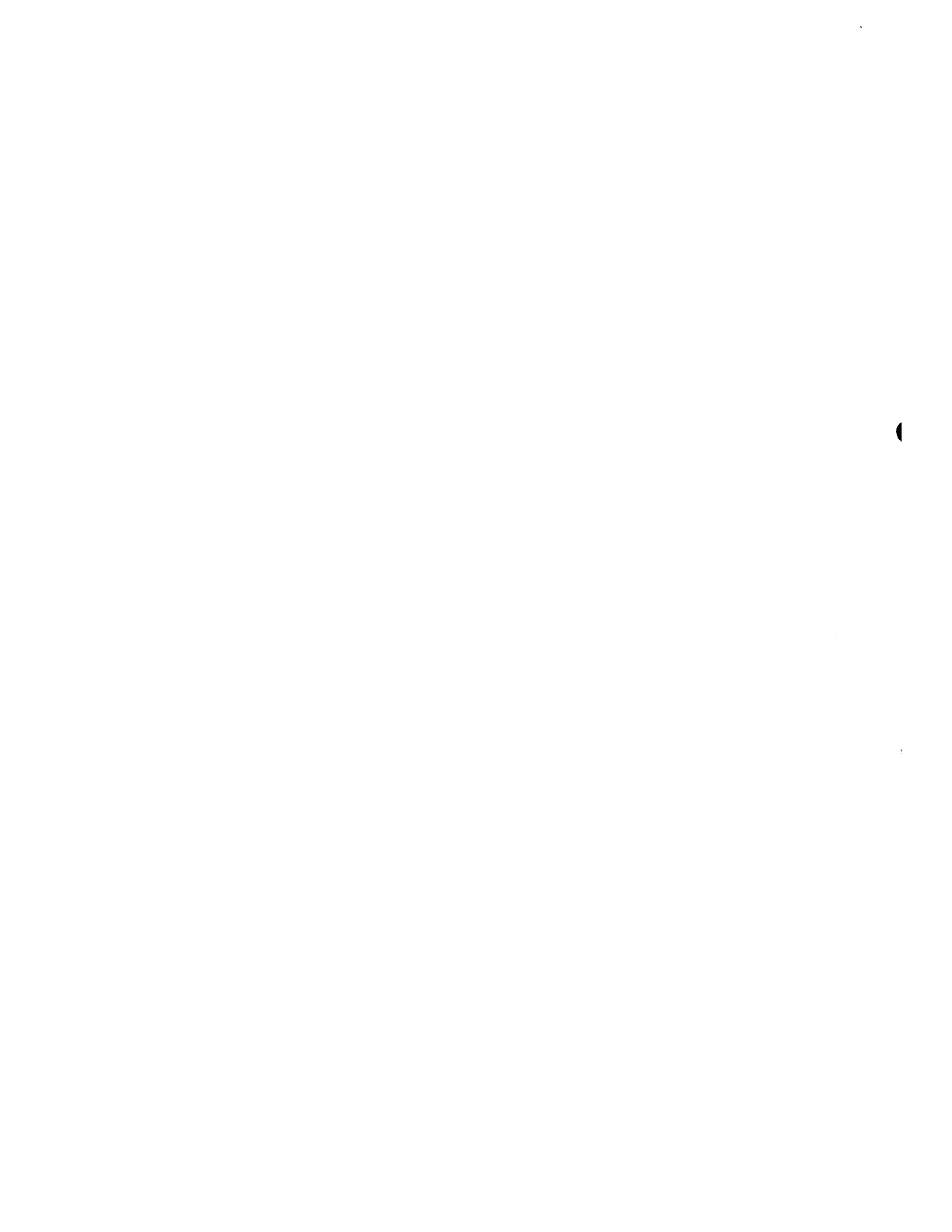


FIGURE 18. AUXILIARY POWER SUPPLY



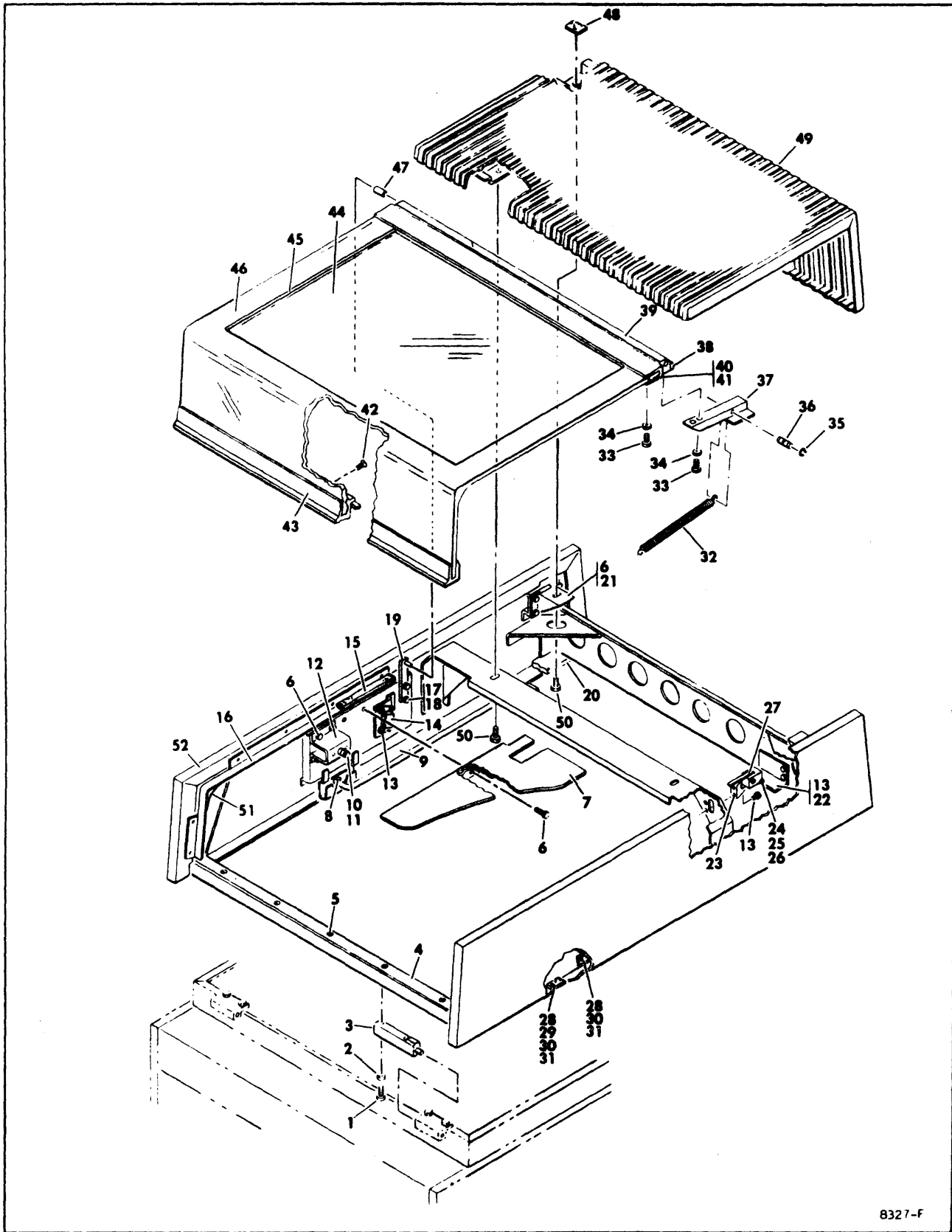
ASSY LEVEL	INDEX NO.	EQUIPMENT PART NUMBER	ITEM DESCRIPTION	MOD. LEVEL				
				A	B			
				NO. REQUIRED				
C	18-	45443700	AUXILIARY POWER SUPPLY ASSEMBLY	1	1			
D	-1	93592162	SCREW, MACHINE, HEXAGON WASHER HEAD, 6-32 x 3/8	3	3			
D	-2	45493900	COVER	1	1			
D	-3	10127347	SCREW, MACHINE, PAN HEAD, SLOTTED, 8-32 x 3/8	8	8			
D	-4	10126104	WASHER, LOCK, INTERNAL TOOTH, 8	6	6			
D	-5	10125106	NUT, HEXAGON, 8	6	6			
D	-6	45494100	CLAMP, CAPACITOR	2	2			
D	-7	92632031	CAPACITOR, FIXED, ELECTROLYTIC, 21K UF, 25V, C1, C2	2	2			
D	-8	10127379	SCREW, MACHINE, PAN HEAD, SLOTTED, 10-32 x 3/8	5	5			
D	-9	10126403	WASHER, LOCK, EXTERNAL TOOTH, 10	8	8			
D	-10	94274140	TERMINAL, QUICK-CONNECT	4	4			
D	-11	93719301	RHEOSTAT, 0.5 OHM, 50W, R3	1	1			
D	-12	10125108	NUT, HEXAGON, 10-32	3	3			
D	-13	94065010	RECTIFIER, SILICON, CR1, CR2	2	2			
D	-14	95655200	NUT, PUSH-IN	2	2			
D	-15	45494000	HEATSINK	1	1			
D	-16	10127334	SCREW, MACHINE, PAN HEAD, SLOTTED, 6-32 x 3/8	2	2			
D	-17	10126103	WASHER, LOCK, INTERNAL TOOTH, 6	2	2			
D	-18	10125105	NUT, HEXAGON, 6-32	2	2			
D	-19	92760021	RESISTOR, FIXED, WIREWOUND, 150 OHM, 25W, R1	1	1			
D	-20	94308900	CHOKER, FILTER, 6V, L1	1	1			
D	-21	92491013	STRAIN RELIEF, CORD	1	1			
D	-22	45443800	CABLE ASSEMBLY	1	1			
E	-	93948001	CONNECTOR, PLUG, 9 PIN, P35	1	1			
E	-	93942002	CONTACT, PIN, 18-14 WIRE RANGE	4	4			
D	-23	45493800	BOX, AUXILIARY POWER SUPPLY	1	1			
D	-24	92602004	CLAMP, CABLE, NYLON, 0.31	1	1			
D	-25	93592162	SCREW, MACHINE, HEXAGON WASHER HEAD, 6-32 x 3/8	1	1			
D	-26	93592238	SCREW, MACHINE, HEXAGON WASHER HEAD, 10-24 x 3/8	2	2			

ASSY LEVEL	INDEX NO.	EQUIPMENT PART NUMBER	ITEM DESCRIPTION	MOD. LEVEL				
				A	B			
				NO. REQUIRED				
C	19-	41253607	MAIN FRAME ASSEMBLY	1	1			
D	-1	93723213	SCREW, MACHINE, BINDING HEAD, PHILLIPS, 10-24 x 3/8	4	4			
D	-2	41270800	BRACKET, TOE PLATE	2	2			
D	-3	41268164	PLATE, TOE	1	1			
D	-4	93006033	NUT, HEXAGON, JAM, 3/8-16	4	4			
D	-5	93697019	LEVELLER, LEG	4	4			
D	-6	93592238	SCREW, MACHINE, HEXAGON WASHER HEAD, 10-24 x 3/8	101	101			
D	-7	41297600	SUPPORT, END PANEL	4	4			
D	-8	93889000	CASTER	4	4			
D	-9	10125305	NUT, HEXAGON, 1/2-13	4	4			
D	-10	10125810	WASHER, LOCK, SPRING, 1/2	4	4			
D	-11	10125612	WASHER, PLAIN, 1/2	4	4			
D	-12	92373010	NYLINER, SNAP-IN	1	1			
D	-13	41293900	BRACKET, PIVOT, LOWER	1	1			
-	-14	-	NOT USED	-	-			
-	-15	-	NOT USED	-	-			
D	-	45592600	SWITCH ASSEMBLY	1	1			
E	-16	93562138	LENS, LETTERED, SELECT LOCK	1	1			
E	-17	93561001	SWITCH, ACTUATOR, DS301, DS305	2	2			
E	-18	92335001	SWITCH, PUSH, MOMENTARY, 2 PDT, S305	1	1			
E	-19	93562139	LENS, LETTERED, 0, GREEN	1	1			
E	-	93562144	LENS, LETTERED, 1, GREEN	AR	AR			
E	-	93562145	LENS, LETTERED, 2, GREEN	AR	AR			
E	-	92562146	LENS, LETTERED, 3, GREEN	AR	AR			
E	-	93562147	LENS, LETTERED, 4, GREEN	AR	AR			
E	-	93562148	LENS, LETTERED, 5, GREEN	AR	AR			
E	-	93562149	LENS, LETTERED, 6, GREEN	AR	AR			
E	-	93562150	LENS, LETTERED, 7, GREEN	AR	AR			
E	-	93562151	LENS, LETTERED, 8, GREEN	AR	AR			
E	-20	93561902	SWITCH, INDICATOR, DS302	1	1			
E	-21	92629003	LAMP, INDICATOR, 24, DS301A/B, DS305A/B	6	6			
E	-22	93562048	LENS, LETTERED, START	1	1			
E	-23	92335011	SWITCH, PUSH, 3 PDT, ALTERNATE, S301	1	1			
E	-	93948002	CONNECTOR, PLUG, 12 PIN, P310	1	1			
D	-24	41268367	PANEL, SWITCH	1	1			
D	-24A	45492000	SWITCH ASSEMBLY	1	1			
E	-	92569001	SWITCH, TOGGLE, SPST	1	1			
E	-	93948004	CONNECTOR, PLUG, 2 PIN, P311	1	1			
D	-25	41294600	BRACKET, SPRING CATCH	4	4			
D	-26	41270900	BRACKET, SWITCH PANEL	4	4			
D	-27	93592240	SCREW, MACHINE, HEXAGON, WASHER HEAD, 10-24 x 1/2	6	6			
D	-28	45514600	STRIKE LATCH	1	1			
D	-29	92633003	BUMPER, RUBBER	1	1			
D	-30	41282500	BRACKET, MOUNTING, CONNECTOR, SWITCH PANEL	1	1			
D	-31	45528500	SUPPORT, INNER SHROUD	1	1			
D	-32	93590080	SCREW, MACHINE, PAN HEAD, PHILLIPS, 4-40 x 3/16	2	2			
D	-33	41276900	SPRING, RETAINING ROD	1	1			
D	-34	41276700	SLIDE, RETAINING ROD	1	1			
D	-35	45537700	GUIDE, TOP COVER	2	2			
D	-36	41272600	BRACKET, MOUNTING, KEEPER, POWER SUPPLY	2	2			
D	-37	41272500	KEEPER, LATCH, POWER SUPPLY	2	2			
D	-38	41268465	PANEL, REAR	1	1			
D	-39	45507565	BELTLINE	1	1			
D	-40	10127334	SCREW, MACHINE, PAN HEAD, SLOTTED, 6-32 x 3/8	2	2			
D	-41	93560001	SWITCH, INTERLOCK	1	1			
D	-42	45452200	BRACKET, MOUNTING, INTERLOCK SWITCH	1	1			
D	-43	45499367	FRAME, MAIN	1	1			
D	-43A	92019017	GROMMET, RUBBER	1	1			
C	-44	93592238	SCREW, MACHINE, HEXAGON WASHER HEAD, 10-24 x 3/8	20	20			
C	-45	41283401	BAFFLE, AIR, LEFT HAND	1	1			
C	-	41283400	BAFFLE, AIR, RIGHT HAND	1	1			
C	-46	41275200	BAFFLE, AIR, CENTER	1	1			
C	-47	93592244	SCREW, MACHINE, HEXAGON WASHER HEAD, 10-24 x 3/4	16	16			
C	-48	41272800	SPACER, SLIDE	32	32			
C	-49	94222907	CHANNEL, STATIONARY, LEFT HAND	1	1			
C	-	94222906	CHANNEL, STATIONARY, RIGHT HAND	1	1			
C	-50	94222905	INTERMEDIATE CHANNEL, SLIDE, LEFT HAND	1	1			
C	-	94222904	INTERMEDIATE CHANNEL, SLIDE, RIGHT HAND	1	1			
C	-51	92602009	CLAMP, CABLE, NYLON, 0.63 ID	1	1			
C	-52	92602010	CLAMP, CABLE, NYLON, 0.75 ID	4	4			
C	-53	10126403	WASHER, LOCK, EXTERNAL TOOTH, 10	1	1			
C	-54	10126219	SCREW, MACHINE, CAP HEAD, HEXAGON SOCKET, 6-32 x 1/2	1	1			
C	-55	10126401	WASHER, LOCK, EXTERNAL TOOTH, 6	1	1			
C	-56	10125605	WASHER, PLAIN, 6	1	1			



ASSY LEVEL	INDEX NO.	EQUIPMENT PART NUMBER	ITEM DESCRIPTION	MOD. LEVEL					
				A	B				
				NO. REQUIRED					
C	10-	41253607	MAIN FRAME ASSEMBLY (CONT'D)	1	1				
C	-57	10125105	NUT, HEXAGON, 6-32	1	1				
C	-58	92602003	CLAMP, CABLE, NYLON, 0.27 ID	1	1				
C	-	93522013	PLUG, BUTTON, SNAP	4	4				
C	-	10126507	WASHER, PLAIN, 10	3	3				
C	-	94224604	LABEL, INFORMATION, PLEXIGLASS	1	1				
C	-58A	94281411	CABLE, GROUND, 13 INCH, FROM LOGIC CHASSIS	1	1				
C	-58B	94281404	CABLE, GROUND, 17 INCH, FROM FILTER BOX	1	1				
C	-	94281403	CABLE, GROUND, 21 INCH, POWER, SUPPLY TO FILTER BOX	2	2				
C	-	94281402	CABLE, GROUND, 44 INCH R/W LOGIC	1	1				
C	-59	45486101	COVER, CABLE ENTRY	1	1				
C	-60	94237703	TRIM, SAFETY	AR	AR				
C	-61	41282100	CLIP, SAFETY TRIM	2	2				
C	-	46068500	LABEL, NATIONAL FIRE PROTECTION	1	1				
C	-62	92602007	CLAMP, CABLE, NYLON, 0.50 ID	1	1				
B	-	94281404	CABLE, GROUND, 17 INCH, TOP COVER TO BELTLINE	1	1				
B	-63	93592240	SCREW, MACHINE, HEXAGON WASHER HEAD, 10-24 x 1/2	4	4				
B	-64	40515700	WING, HINGE	2	2				
B	-	10125607	WASHER, PLAIN, 10	1	1				
B	-	10126403	WASHER, LOCK, EXTERNAL TOOTH, 10	1	1				





8327-F

FIGURE 20. TOP COVER ASSEMBLY



ASSY LEVEL	INDEX NO.	EQUIPMENT PART NUMBER	ITEM DESCRIPTION	MOD. LEVEL				
				A	B			
				NO. REQUIRED				
B	20-	45473306	TOP COVER ASSEMBLY	1	1			
C	-1	93590202	SCREW, MACHINE, PAN HEAD, SLOTTED, 8-32 x 1/2	4	4			
C	-2	10126104	MARKER, LOCK, INTERNAL TOOTH, 8	4	4			
C	-3	40515800	PIVOT, HINGE	2	2			
C	-4	45505400	ARMATURE, TOP COVER LATCH	1	1			
C	-5	10125903	SCREW, MACHINE, FLAT HEAD, PHILLIPS, 6-32 x 1/4	5	5			
C	-6	93592238	SCREW, MACHINE, HEXAGON WASHER HEAD, 10-24 x 3/8	16	16			
C	-7	45456100	COVER PLATE ASSEMBLY, LEFT HAND	1	1			
C	-	45456101	COVER PLATE ASSEMBLY, RIGHT HAND	1	1			
C	-8	10127334	SCREW, MACHINE, PAN HEAD, SLOTTED, 6-32 x 3/8	1	1			
C	-9	41276800	ROD, RETAINING	1	1			
C	-10	93592244	SCREW, MACHINE, HEXAGON WASHER HEAD, 10-24 x 3/4	2	2			
C	-11	41274800	SPOOL, SPRING	2	2			
C	-12	41274900	BRACKET, MOUNTING, SPRING	2	2			
C	-13	93592158	SCREW, MACHINE, HEXAGON WASHER HEAD, 6-32 x 1/4	12	12			
C	-14	92637001	CATCH, MAGNETIC	2	2			
C	-15	92628422	TAPE, FOAM	AR	AR			
C	-16	45594901	SUPPORT, SEAL, LEFT HAND	1	1			
C	-	45594900	SUPPORT, SEAL, LEFT HAND	1	1			
C	-17	10126500	SCREW, MACHINE, HEXAGON CAP HEAD, 1/4-20 x 1/2	4	4			
C	-18	10126106	WASHER, LOCK, INTERNAL TOOTH, 1/4	4	4			
C	-19	41273900	PIN, HINGE	2	2			
C	-20	94001002	TAPE, FOAM	AR	AR			
C	-21	41293300	BRACKET, MOUNTING, REAR COVER	2	2			
C	-22	45452300	BRACKET, MOUNTING, SWITCH ACTUATING	1	1			
C	-23	41277100	BRACKET, MOUNTING, SWITCH	1	1			
C	-24	10127324	SCREW, MACHINE, PAN HEAD, SLOTTED, 4-40 x 5/8	2	2			
C	-25	10126400	WASHER, LOCK, EXTERNAL TOOTH, 4	2	2			
C	-26	10125103	NUT, HEXAGON, 4-40	2	2			
C	-27	93786007	SWITCH, INTERNAL ACTUATOR	1	1			
C	-28	94277503	BASE MOUNTING	2	2			
C	-29	10125444	SCREW, MACHINE, FLAT HEAD, SLOTTED, 6-32 x 1/4	1	1			
C	-30	10126103	WASHER, LOCK, INTERNAL TOOTH, 6	2	2			
C	-31	10125105	NUT, HEXAGON, 6-32	2	2			
C	-32	41275400	SPRING, EXTENSION	2	2			
C	-	70543106	FRONT COVER ASSEMBLY	1	1			
D	-33	10127131	SCREW, MACHINE, PAN HEAD, PHILLIPS, 10-24 x 3/8	9	9			
D	-34	10126105	WASHER, LOCK, INTERNAL TOOTH, 10	9	9			
D	-35	92033038	RING, RETAINING, 0.207 ID	4	4			
D	-36	41274700	SHAFT, SPRING	2	2			
D	-37	41274600	BRACKET, SPRING, RIGHT HAND	1	1			
D	-	41274500	BRACKET, SPRING, LEFT HAND	1	1			
D	-38	94001002	TAPE, FOAM	AR	AR			
D	-39	45475700	HINGE, FRONT COVER	1	1			
D	-40	45474100	SPACER, CHANNEL	1	1			
D	-41	45475500	REINFORCEMENT, HINGE	1	1			
D	-42	10125473	SCREW, MACHINE, FLAT HEAD, SLOTTED, 10-24 x 1/4	5	5			
D	-43	41271600	HANDLE ASSEMBLY	1	1			
E	-	41274300	HANDLE	1	1			
E	-	94196401	STRIP, MAGNETIC	1	1			
D	-44	45474001	COVER, TRANSPARENT GLASS, CLEAR	1	1			
D	-45	94073000	RUBBER, EXTRUSION	AR	AR			
D	-46	45476051	COVER, METAL FRONT, SAND	1	1			
C	-47	41274000	BEARING	2	2			
C	-48	92196013	NUT, SPEED	2	2			
C	-49	45506267	COVER, REAR	1	1			
C	-50	93592240	SCREW, MACHINE, HEXAGON WASHER HEAD, 10-24 x 1/2	4	4			
C	-51	46814700	CORNER, FOAM, ADHESIVE BACK	2	2			
C	-52	41273267	FRAME TOP COVER	1	1			



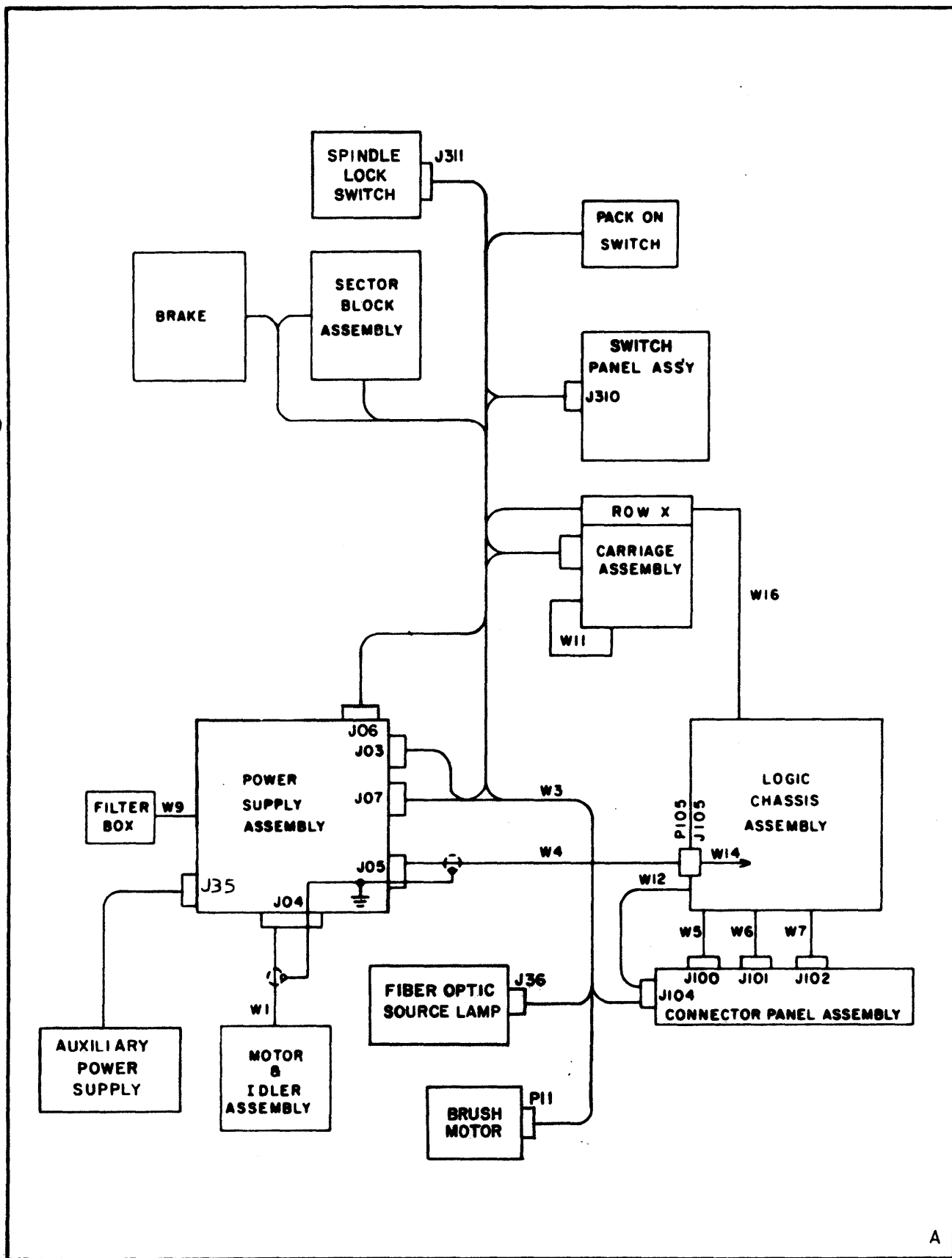


FIGURE 21. CABLE ASSEMBLIES



ASSY LEVEL	INDEX NO.	EQUIPMENT PART NUMBER	ITEM DESCRIPTION	MOD. LEVEL						
				A	B					
				NO. REQUIRED						
	21-		CABLE ASSEMBLIES							
C	-W1	41277300	CABLE ASSEMBLIES, W1	1	1					
D	-	93948000	CONNECTOR, PLUG, 6 PIN, P04	1	1					
D	-	93942002	CONTACT, PIN, 18-14 WIRE RANGE	5	5					
C	-W3	45675200	CABLE ASSEMBLY, W3	1	1					
D	-	93960015	CONNECTOR, PLUG, 26 PIN, P07, P230	2	2					
D	-	93960011	STRAIN, RELIEF	2	2					
D	-	93960004	PIN, CENTER GUIDE	2	2					
D	-	93960005	SOCKET, CENTER GUIDE	2	2					
D	-	93960022	SPRING, CONNECTOR	4	4					
D	-	93643015	CONNECTOR, PLUG, 34 PIN, P03	1	1					
D	-	93643011	STRAIN, RELIEF	1	1					
D	-	93643004	PIN, CORNER GUIDE	2	2					
D	-	93643005	SOCKET, CORNER GUIDE	2	2					
D	-	93643021	SPRING	2	2					
D	-	93644003	CONTACT, PIN, 26-24 WIRE RANGE	AR	AR					
D	-	93644002	CONTACT, PIN, 22-20 WIRE RANGE	AR	AR					
D	-	93644001	CONTACT, PIN, 18-16 WIRE RANGE	AR	AR					
D	-	93645003	CONTACT, SOCKET, 26-24 WIRE RANGE	AR	AR					
D	-	93645002	CONTACT, SOCKET, 22-20 WIRE RANGE	AR	AR					
D	-	93643009	JACKSCREW, FEMALE	2	2					
D	-	94281200	CONNECTOR, PLUG, 75 PIN, P104	1	1					
D	-	94281207	CLAMP, SHORT, STRAIN, RELIEF	1	1					
D	-	93943001	CONTACT, SOCKET, 22-18 WIRE RANGE	AR	AR					
D	-	93645001	CONTACT, SOCKET, 18-16 WIRE RANGE	AR	AR					
D	-	93947002	CONNECTOR, PLUG, 12 PIN, J310	1	1					
D	-	93642004	PIN, CORNER GUIDE	2	2					
D	-	93642005	SOCKET, CORNER GUIDE	2	2					
D	-	93947005	CONNECTOR, PLUG, 2 SOCKET, S302, J36, P311	3	3					
D	-	93948000	CONNECTOR, PLUG, 6 PIN, P06	1	1					
D	-	93942001	CONTACT, PIN, 22-18 WIRE RANGE	4	4					
D	-	93947004	CONNECTOR, PLUG, 3 SOCKET, P11	1	1					
C	-W4	46800800	CABLE ASSEMBLY, W4	1	1					
D	-	93948003	CONNECTOR, PLUG, 3 PIN, P05, P105	2	2					
D	-	93942002	CONTACT, PIN, 18-14 WIRE RANGE	AR	AR					
C	-W5	45588100	CABLE ASSEMBLY, W5	1	1					
D	-	94281201	CONNECTOR, RECEPTACLE, 75 SOCKET, J100	1	1					
D	-	93644003	CONTACT, PIN, 26-24 WIRE RANGE	AR	AR					
D	-	93644002	CONTACT, PIN, 22-20 WIRE RANGE	AR	AR					
D	-	93644001	CONTACT, PIN, 18-16 WIRE RANGE	AR	AR					
C	-W6	45588300	CABLE ASSEMBLY, W6	1	1					
D	-	94281200	CONNECTOR, RECEPTACLE, 75 SOCKET, J101	1	1					
D	-	93645003	CONTACT, SOCKET, 26-24 WIRE RANGE	AR	AR					
D	-	93645002	CONTACT, SOCKET, 22-20 WIRE RANGE	AR	AR					
D	-	93645001	CONTACT, SOCKET, 18-16 WIRE RANGE	AR	AR					
C	-W7	45588500	CABLE ASSEMBLY, W7	1	1					
D	-	94289201	CONNECTOR, PLUG, 29 PIN, J102	1	1					
D	-	94289604	CONTACT, PIN ASSEMBLY	1	1					
D	-	94289603	FERRULE	1	1					
D	-	94289601	BUSHING, ALIGNMENT	1	1					
D	-	94289602	SPRING, RETENTION	1	1					
D	-	94289202	JACKSCREW, FIXED, FEMALE	1	1					
D	-	94289500	CONTACT, PIN, 12-14 WIRE RANGE	11	11					
D	-	93644003	CONTACT, PIN, 26-24 WIRE RANGE	6	6					
D	-	93644001	CONTACT, PIN, 18-16 WIRE RANGE	1	1					
D	-	10125103	NUT, HEXAGON, 4-40	1	1					
D	-	10126101	WASHER, LOCK, INTERNAL TOOTH, 4	1	1					
C	-W9	41286600	CABLE ASSEMBLY, WIRING HARNESS, W9	1	1					
C	-W11	45443500	CABLE ASSEMBLY, WIRING HARNESS, W11	1	1					
C	-W12	45676200	CABLE ASSEMBLY, W12	1	1					
D	-	94281201	CONNECTOR, RECEPTACLE, 75 PIN, J04	1	1					
D	-	93644003	CONTACT, PIN, 26-24 WIRE RANGE	AR	AR					
D	-	93644002	CONTACT, PIN, 22-20 WIRE RANGE	AR	AR					
D	-	93644001	CONTACT, PIN, 18-16 WIRE RANGE	AR	AR					
D	-	93643006	JACKSCREW, FIXED, MALE	2	2					
C	-W14	45514200	CABLE ASSEMBLY, W14	1	1					
D	-	93947003	CONNECTOR, RECEPTACLE, 3 SOCKET, J105	1	1					
D	-	93943001	CONTACT, SOCKET, 22-18 WIRE RANGE	AR	AR					
C	-W16	45458000	CABLE ASSEMBLY, WIRING HARNESS, W16	1	1					



COMMENT SHEET

MANUAL TITLE CONTROL DATA 9461A/B, DISK STORAGE DRIVE PARTS LIST

PUBLICATION NO. 41245200 REVISION _____

FROM: NAME: _____
BUSINESS ADDRESS: _____

COMMENTS:
This form is not intended to be used as an order blank. Your evaluation of this manual will be welcomed by Control Data Corporation. Any errors, suggested additions or deletions, or general comments may be made below. Please include page number references and fill in publication revision level as shown by the last entry on the Record of Revision page at the front of the manual. Customer engineers are urged to use the TAR.

CUT ALONG LINE

ORM CA231 REV. 1-67 PRINTED IN U.S.A.

NO POSTAGE STAMP NECESSARY IF MAILED IN U. S. A.
FOLD ON DOTTED LINES AND STAPLE



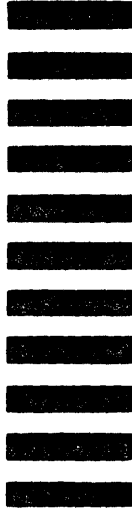
FOLD

FIRST CLASS
PERMIT NO. 8241
MINNEAPOLIS, MINN.

BUSINESS REPLY MAIL
NO POSTAGE STAMP NECESSARY IF MAILED IN U.S.A.

POSTAGE WILL BE PAID BY
CONTROL DATA CORPORATION
8100 34TH AVENUE SOUTH
MINNEAPOLIS, MINNESOTA 55440

ATTN: TECHNICAL PUBLICATIONS DEPT.
PLANT TWO

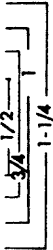


CUT ALONG LINE

FOLD



CONTROL DATA



CUT OUT FOR USE AS LOOSE-LEAF BINDER TITLE TAB

CONTROL DATA

CORPORATION

8100 34th AVE. SO., MINNEAPOLIS, MINN. 55440

LITHO IN U.S.A

