



---

**CDC<sup>®</sup> ASYNCHRONOUS  
COMMUNICATIONS LINE ADAPTER**

**DU 137-A**

**DU 189-A/B**

**DU 190-A/B**

**DU 191-A/B**

# REVISION RECORD

REVISION	DESCRIPTION
01	Preliminary release
5/75	
A	Initial release
7/75	
B	Final edition
6/77	
C	Manual revised to improve format and conform to CDC
9/77	publication standards. Publication change only.
	<u>This edition obsoletes all previous editions.</u>
D	<u>Revised to incorporate ECOs 8063, 8139, 8181, 8192, 8208, 8221</u>
6/78	<u>and 8290. This revision obsoletes all previous editions.</u>
E	<u>Revised to incorporate electromagnetic interference cable changes,</u>
10/79	<u>and Engineering Change Orders 8246 and 8648, and Technical Action</u>
	<u>Request, 045640. Added configurations DY189-A/B, DY190-A/B, and</u>
	<u>DY191-A/B.</u>

**Publication No.**  
74700900

Address comments concerning this manual to:

CONTROL DATA CORPORATION  
Publications and Graphics Division  
P. O. Box 4380-P  
Anaheim, California 92803

Revision Letters I, O, Q and X are not used

or use Comment Sheet in the back of this manual.

© 1975, 1977, 1978, 1979  
by Control Data Corporation  
Printed in the United States of America

# MANUAL TO EQUIPMENT LEVEL CORRELATION SHEET

This manual reflects the equipment configurations listed below.

**EXPLANATION:** Locate the equipment type and series number, as shown on the equipment FCO log, in the list below. Immediately to the right of the series number is an FCO number. If that number and all of the numbers underneath it match all of the numbers on the equipment FCO log, then this manual accurately reflects the equipment.

EQUIPMENT TYPE	SERIES	WITH FCOs	COMMENTS
DU137-A DU189-A DU189-B DU190-A DU190-B DU191-A DU191-B	01 01 01 01 01 01 01		



# LIST OF EFFECTIVE PAGES

New features, as well as changes, deletions, and additions to information in this manual, are indicated by bars in the margins or by a dot near the page number if the entire page is affected. A bar by the page number indicates pagination rather than content has changed.

PAGE	REV	PAGE	REV	PAGE	REV	PAGE	REV	PAGE	REV
Cover	-								
Title Page	-								
ii thru x	E								
1-1	C								
1-2	E								
1-3	C								
1-4	E								
1-5 thru									
1-10	C								
2-1 thru									
2-10	C								
3-1 thru									
3-7	E								
4-1 thru									
4-12	C								
4-13	E								
4-14/4-15	C								
5-1	C								
5-2 thru									
5-12	E								
6-1 thru									
6-3	C								
7-1	C								
7-2 thru									
7-10	E								
7-11 thru									
7-19	D								
7-20 thru									
7-44	E								
8-1	C								
8-2	D								
8-3 thru									
8-9	E								
A-1, A-2	C								
B-1	C								
Comment									
Sheet	-								
Mailer	-								
Cover	-								



# PREFACE

This manual contains information on operation, maintenance, installation and checkout as well as relevant programming considerations for the CDC Asynchronous Communications Line Adapter DU137-A. The communications line adapter and associated cables are used within the 255X Network Processor Unit.

The DU137-A Communications Line Adapter (CLA) interfaces with different modems, according to the cable set to be selected. The DU189-A/B, DU190-A/B, and DU191-A/B CLAs each consist of a DU137-A circuit card and includes a preselected interface cable set.

The A version and B version 255X cabinets referred to in this manual are described in the system cabinets manual listed below.

The B version cabinets contain electromagnetic interference (EMI) protection.

The manual is intended for use by Customer Service engineers and presumes minimal knowledge of the 255X Network Processor Unit (formerly called host communications processor).

Preventive maintenance and fault isolation procedures to the circuit card level are given and card repair on-site should be limited to emergency conditions only.

The related publications listed below are available through the CDC Literature and Distribution Services, 308 North Dale Street, St. Paul, Minnesota 55103.

<u>Publication Title</u>	<u>Publication Number</u>
255X Network Processor Unit, Hardware Maintenance Manual	60472000
255X Network Processor Unit, Hardware Reference Manual	60472800
255X Host Communications Processor Site Preparation Manual	74641200
Loop Multiplexer and Card Cage DY200-A, DY197-A, Hardware Maintenance Manual	74873938
255X NPU Equipment Cabinets Hardware Maintenance Manual	74873971





# CONTENTS

1. GENERAL DESCRIPTION	1-1	Cable Types	3-1
Introduction	1-1	Circuit Card Locations	3-1
Physical Description	1-1	Communications Line Expansion Units	3-1
ACLA Characteristics	1-1	Card Location Priorities	3-1
System Application	1-1	Card Installation	3-3
Features	1-1	Cable Installation	3-6
Half- and Full-Duplex Operation	1-1	Initial Checkout	3-6
Code Lengths	1-3	Crating and Shipping	3-7
Character Parity Generation/ Detection	1-3		
Automatic Answering	1-3	4. THEORY OF OPERATION	4-1
Signaling Rate Selection	1-6	Introduction	4-1
Restraint Signal Detection	1-6	Output Section	4-1
Data Transfer Overrun	1-6	Bus Buffers	4-1
Loopback Test	1-7	Select Output	4-1
Modem Interface	1-7	Format Decode	4-1
Functional Description	1-7	Command Counter	4-1
Operational Concept	1-7	Command Registers	4-2
Functional Sections	1-7	Universal Asynchronous Receiver/ Transmitter	4-2
Input Section	1-7	Transmitter	4-3
Data Input	1-7	Receiver	4-3
Input Error Conditions	1-9	Output Data Demand	4-4
Output Section	1-9	Output Data	4-4
Data Output	1-9	Output Loop Error	4-5
Echoplex Mode	1-10	Input Section	4-5
Break Generation	1-10	Input Available	4-7
Loop Error Detection	1-10	Input Control Logic	4-7
CLA Addressing	1-10	Input Control States	4-12
Master Clear	1-10	Input Multiplexer	4-12
Modem Interface Section	1-10	Input Loop Error	4-12
Speed Generators	1-10	Character Assembly	4-12
		Modem Interface Section	4-13
2. OPERATION	2-1	Modem Strapping	4-13
Controls and Indicators	2-1	Monitoring	4-13
Operating Procedures	2-1	Monitor Signals	4-13
Programming Considerations	2-1	Ring Indicator Status	4-14
Multiplexing Subsystem Overview	2-2	Status Read/Write	4-14
Line Frame Formats	2-2	Data Associated Status	4-14
Cell and Word Formats	2-3	Indicators	4-14
Addressing Cell	2-3	Speed Generators	4-15
Data Cell	2-3		
Supervision Cell	2-3	5. DIAGRAMS	5-1
Status Words	2-4	Asynchronous CLA - Full RS-232/ Variable Speed, Logic Diagram, 74877129	5-2
Command Words	2-4		
Programming Notes	2-9		
ACLA Initialization	2-9	6. MAINTENANCE	6-1
Communications Line Connection	2-9	Troubleshooting	6-1
Input Operation	2-9	Special Tools	6-1
Output Operation	2-10	Test Equipment	6-1
Loopback Test Operation	2-10	On-Line Diagnostics	6-1
Break/Open-Line Detection	2-10	Off-Line Diagnostics	6-1
Restraint Detector	2-10	Pin Connections and Signals	6-1
		Card Replacement	6-1
3. INSTALLATION AND CHECKOUT	3-1		
Uncrating	3-1		
Installation	3-1		
Circuit Card Types	3-1		

7. PARTS DATA

Circuit Card Assembly, ACLA, Full RS232/Variable Speed, 74447001  
 Cable Assembly, ACLA to 103A/113 Modem, 74657700/03  
 Cable Assembly, ACLA to Terminal, 74657900  
 Cable Assembly, ACLA to 103F Modem, 74658300  
 Circuit Card Assembly, ACLA, Full RS-232/Variable Speed, 74877129  
 Cable Assembly, Asynchronous RS-232 to 103A/113, 74875756  
 Cable Assembly, Asynchronous RS-232 to Terminal, 74875846  
 Cable Assembly, Asynchronous RS-232 to 103F Modem, 74875760  
 Cable Assembly, ACLA to 202S Modem, 74876194  
 Cable Assembly, ACLA to 202S Modem, 74874002

7-1	ACLA Loop External Test Connector, 74715600	7-43
7-2		
7-5	8. WIRE LISTS	8-1
7-11	Wire List, Cable Assembly, ACLA to 103A/113 Modem, 74657800	8-2
7-15	Wire List, Cable Assembly, ACLA to Terminal, 74658000	8-3
7-20	Wire List, Cable Assembly, ACLA to 103F Modem, 74658400	8-4
7-23	Wire List, ACLA Loop External Test Connector, 74715700	8-5
7-27	Wire List, Cable Assembly, ACLA to 103/113 Modem, 74875756	8-6
7-31	Wire List, Cable Assembly, ACLA to Terminal, 74875846	8-7
7-35	Wire List, Cable Assembly, ACLA to 103F Modem, 74875760	8-8
7-39	Wire List, Cable Assembly, ACLA to 202S Modem, (Rev. Chan), 74876194	8-9

APPENDIXES

A	Glossary	A-1	B	Hexadecimal Conversion Tables	B-1
---	----------	-----	---	-------------------------------	-----

FIGURES

1-1	ACLA Circuit Card	1-2	4-1	Loop Multiplexer-to-ACLA Interface and Command Timing Diagram	4-2
1-2	ACLA Card Placement	1-3	4-2	UART Transmitter Block Diagram	4-3
1-3	Location of ACLA and LM Card Cage in a NPU Cabinet	1-4	4-3	UART Transmitter Timing Diagram	4-4
1-4	NPU System Application	1-5	4-4	UART Receiver Block Diagram	4-5
1-5	ACLA Block Diagram	1-8	4-5	UART Receiver Timing Diagram	4-6
2-1	Controls and Indicators, ACLA Card Handle	2-2	4-6	Input Control (IC2-IC1) States Diagram	4-7
2-2	Loop Cell Structure	2-3	4-7	Input Control (ODD, DATA, SUPV) Timing Diagram	4-8
3-1	Typical ACLA Cable Connectors	3-2	4-8	Input Control (SUPV only) Timing Diagram	4-9
3-2	Component Location, Basic NPU Cabinet	3-4	4-9	Input Control (DATA only) Timing Diagram	4-10
3-3	Component Location, Stand-alone Cabinet	3-4	4-10	Input Control (ODD only) Timing Diagram	4-11
3-4	Priorities of Loop Multiplexer Interconnection	3-5	4-11	Modem Interface Timing Diagram	4-14
3-5	Typical Grounding Arrangements for B Version Cabinets	3-6	4-12	Speed Generator Timing Diagram	4-15

TABLES

1-1	Physical Characteristics	1-6	2-13	Command Word 4 Format	2-9
1-2	Nonoperating Environmental Requirements	1-6	3-1	Cables Used with DU137-A ACLA	3-2
1-3	Operating Environmental Requirements	1-6	3-2	DU189-A/B, DU190-A/B, and DU191-A/B Cable Sets	3-2
2-1	Switches and Indicators	1-6	3-3	Cable 10400-1 Signals and Pin Connections	3-3
2-2	Cell Frame Formats	2-1	3-4	Cable 10400-2 Signals and Pin Connections	3-3
2-3	Addressing Code Format	2-4	3-5	Cable 10400-3 Signals and Pin Connections	3-3
2-4	Data Cell Format	2-4	4-1	Strapping Points	4-13
2-5	Status Word 1 Format	2-5	6-1	Loop Multiplexer-to-ALCA Interface Signals	6-2
2-6	Status Word 2 Format	2-5	6-2	Modem-to-ACLA Interface Signals and Pin Connections	6-3
2-7	Command Word 1 Format	2-6			
2-8	Command Word 2 Format	2-6			
2-9	Code Bits and Reference Frequencies	2-7			
2-10	Common Baud Rates and Command Codes	2-8			
2-11	Command Word 3 Format	2-8			
2-12	Character Length and Parity Status Code	2-9			

## INTRODUCTION

This section describes the physical and functional characteristics of the asynchronous communications line adapter (ACLA).

The ACLA is an asynchronous data conversion and control device which provides for the connection of asynchronous communications facilities to a communications processor.

## PHYSICAL DESCRIPTION

An ACLA consists of integrated circuits and components mounted on an 11- by 14-inch (279.4 by 355.6 mm) circuit card as shown in figure 1-1. Two complete, identical ACLAs are contained on one card. The rear edge of the card contains two 102-contact tab connectors, extending the full length of the card. When the card is inserted in its card cage, these tab connectors engage the cage backpanel to provide signal paths between the ACLAs and their interfacing element in the multiplexing subsystem, the loop multiplexer.

The card is reinforced and protected with a metal frame which is riveted to the ACLA card. The front surface (card handle) provides an accessible mounting surface for the switches, indicators, cable connectors, and identification labels. The card handle when installed forms a cover to assure that cooling air is contained within the card cage. Two plastic ejectors on the handle facilitate removal of the card from the card slot.

Two pair of hexadecimal switches permit address selection of each ACLA and four signal indicators show when signals are passing through the ACLA. Two 25-pin connectors on the card handle provide the connection for ACLA-to-terminal/modem signal cables. Two toggle switches permit enabling or disabling of the input-available signal from the ACLA to the loop multiplexer.

All ACLA circuit cards are installed in a CLA and loop multiplexer card cage assembly, which also contains one or two loop multiplexer circuit cards, as shown in figure 1-2. The cage assembly provides 16 positions (card slots) for communications line adapters; an ACLA may reside in any position. Figure 1-3 shows the placement of ACLAs in a 2550 Series Network Processor Unit (NPU).

Figure 1-4 illustrates the use of a communications line expansion (CLE) unit. When more than 16 CLA cards are required or the number of communications lines exceeds 32,

a CLE unit may be used. The first CLE is used for expansion beyond 16 cards or 32 lines. A second CLE allows expansion beyond 32 cards or 64 lines with a third CLE permitting expansion to 64 cards or 128 lines. Each CLE consists of one or two loop multiplexers and required power and cooling assemblies.

## ACLA CHARACTERISTICS

A summary of the physical specifications for the ACLA are given in table 1-1. Nonoperating environmental requirements for the ACLA are given in table 1-2, and operating environmental requirements are listed in table 1-3.

## SYSTEM APPLICATION

The loop multiplexer, multiplex loop, multiplex loop interface adapter, and all of the CLAs make up the multiplexing subsystem. The multiplexing subsystem hardware elements function as follows:

- Communications line adapters (CLAs) provide data conversion and control between the loop multiplexer and communications lines that are connected to the customer-supplied terminals or modems.
- The loop multiplexer provides a multiplexed path between a group of CLAs and the multiplex loop.
- The multiplex loop interconnects several loop multiplexers and the MLIA, residing in the communications processor.
- The multiplex loop interface adapter (MLIA) provides the hardware interface between the multiplex loop and the processor.

A sample system application is shown in figure 1-4, which is for illustrative purposes only; it does not necessarily represent a typical nor practical configuration.

## FEATURES

### HALF- AND FULL-DUPLEX OPERATION

The ACLA can be operated in either the half- or full-duplex mode. The request-to-send function is under program control. For half-duplex operation, it can be turned on

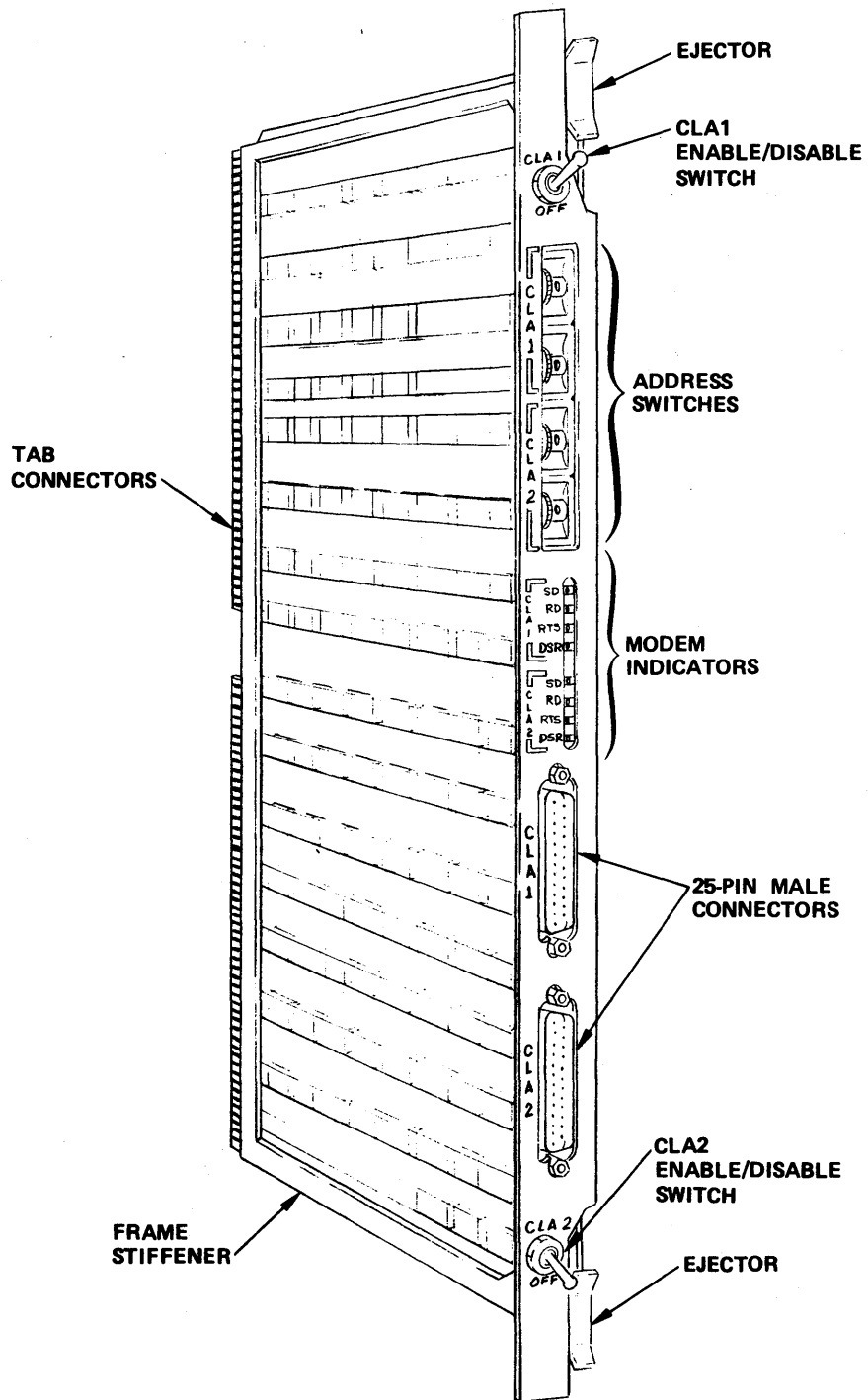


Figure 1-1. ACLA Circuit Card

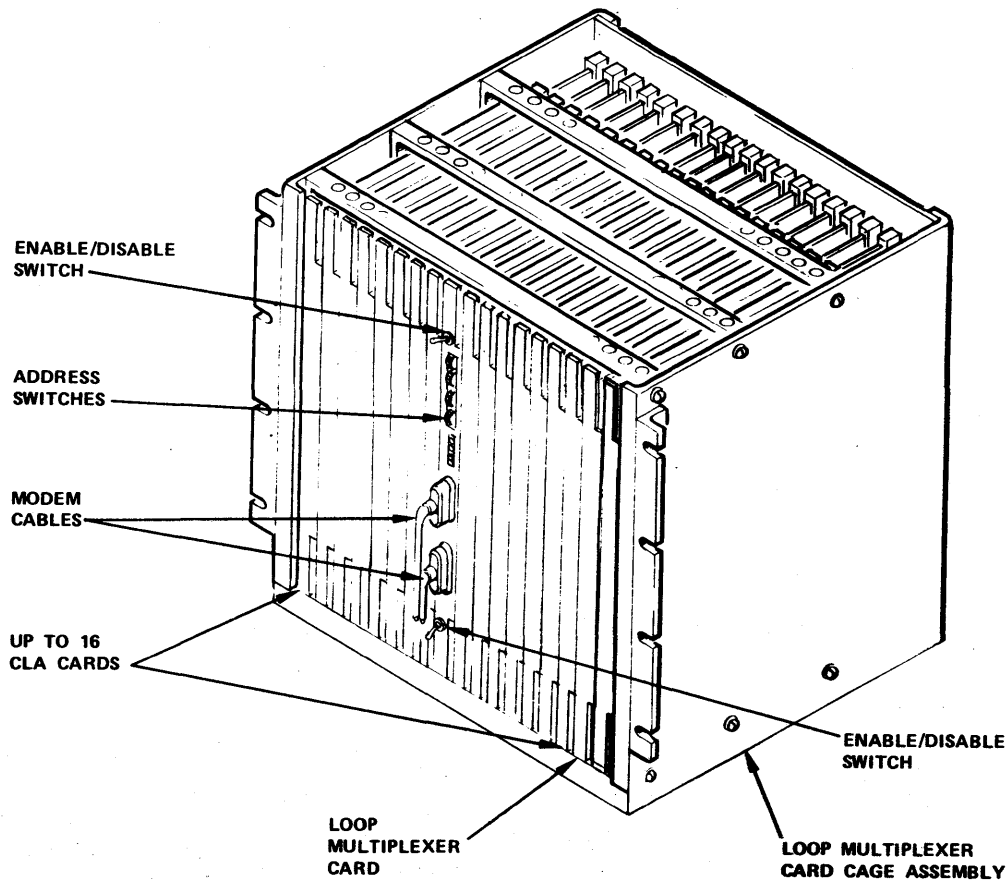


Figure 1-2. ACLA Card Placement

or off independent of other ACLA commands to switch the modem between transmit and receive modes. Also, the input section can be disabled while in transmit mode to avoid receiving back what is being sent. For full-duplex operation, a request-to-send signal is generally left on by program control and the input section continuously enabled.

#### CODE LENGTHS

The ACLA can receive or transmit 5-, 6-, 7-, or 8-bit characters. A parity bit may also be added. Stop bit duration can be 1, 1.5, or 2 units in length. Character length, parity bit, and stop bit duration are all selected by program commands.

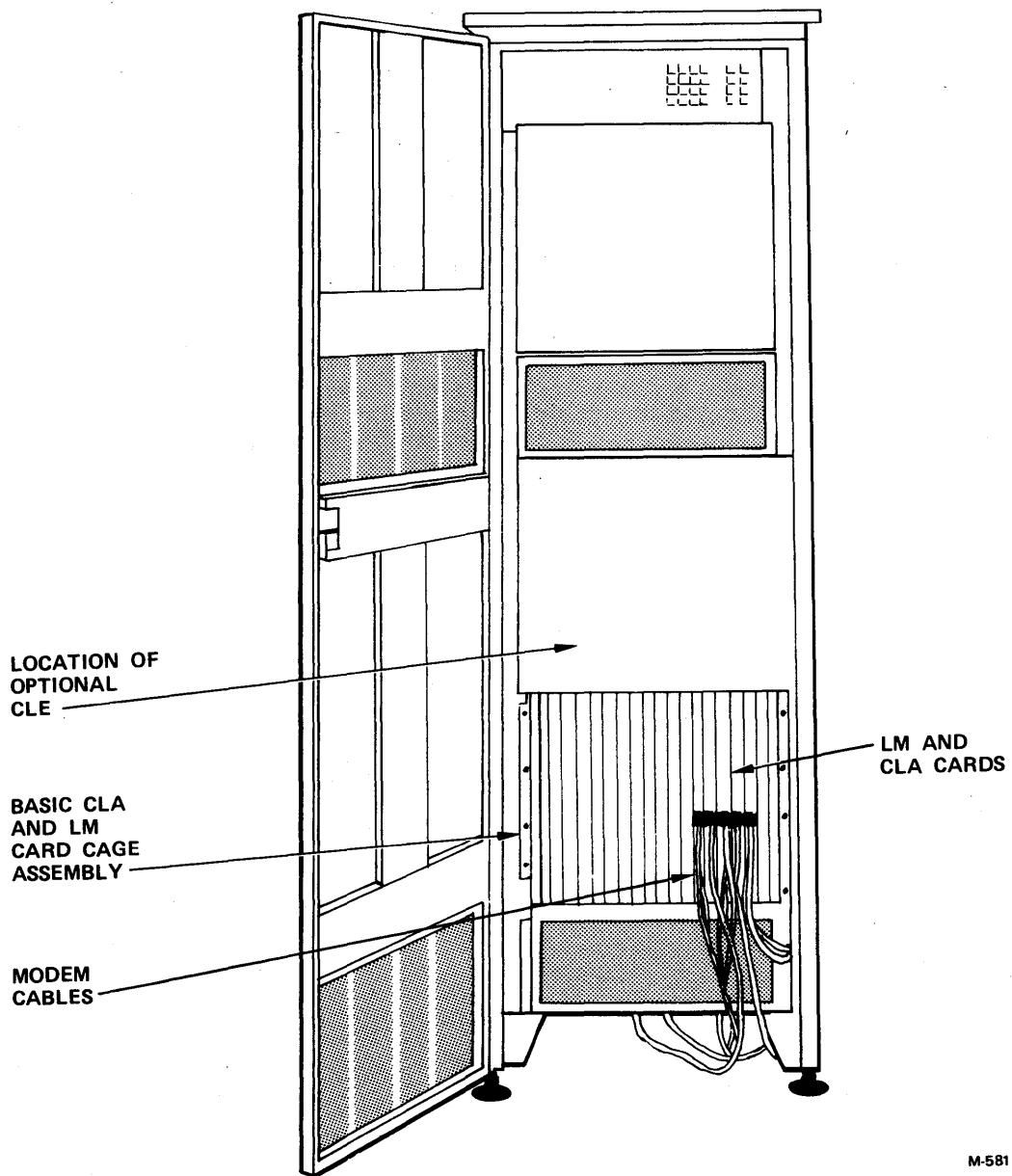
#### CHARACTER PARITY GENERATION/DETECTION

As a software option, the ACLA can be commanded to check input for and generate output with odd, even, or without character

parity. When a character is received with incorrect parity, parity-error-status is sent to the processor coincident with the character.

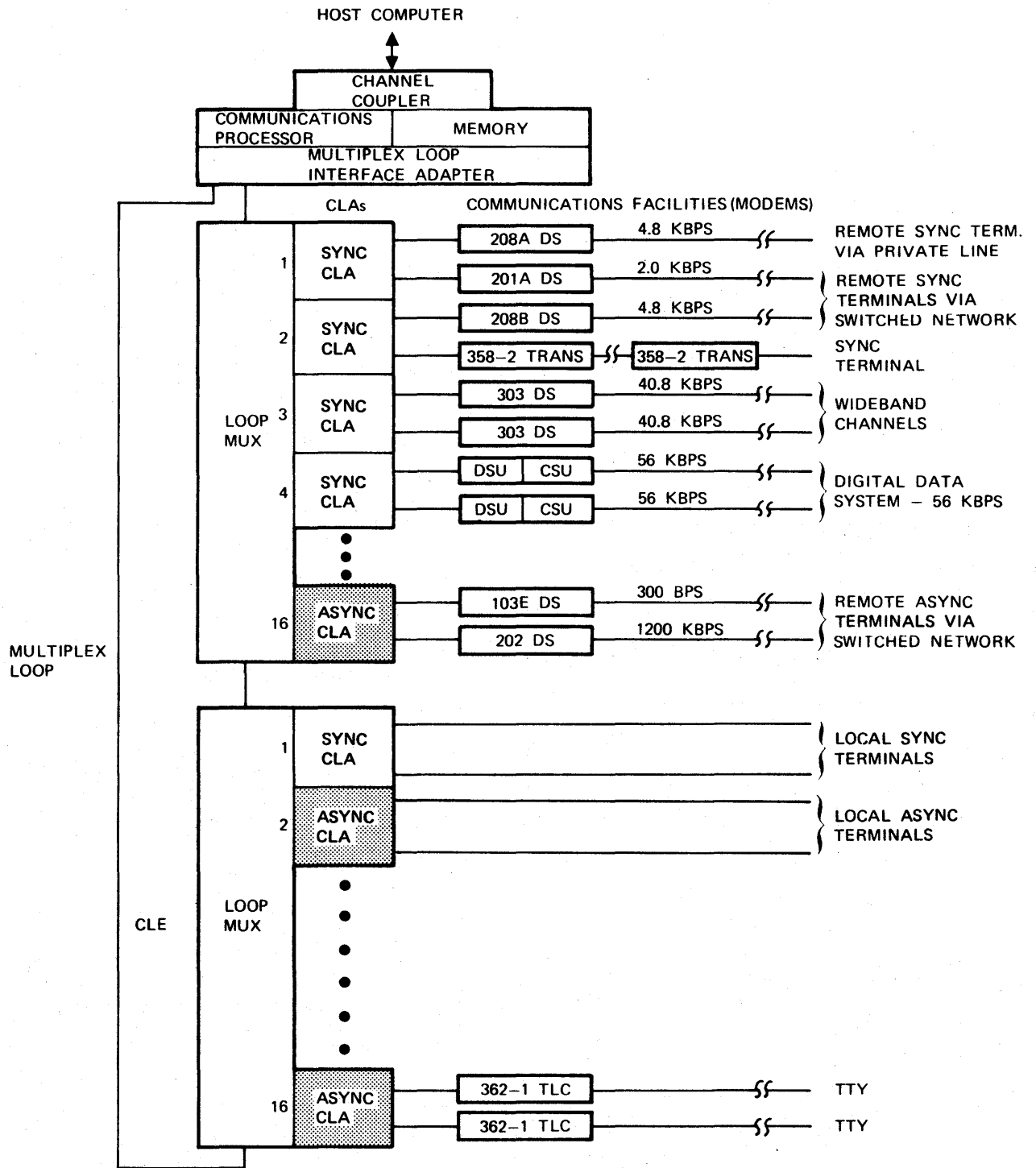
#### AUTOMATIC ANSWERING

The ACLA may be used with modems capable of automatic answering. Upon receipt of a call, the local modem sends a ring-indicator signal to the ACLA, which in turn reports ring-indicator status to the processor. If the software had previously activated data-terminal-ready (DTR), the modem answers the call after one ring. If DTR is not on, the modem does not answer the call until the software issues a command to turn on DTR. Thus, the software may precondition DTR on and calls are answered when received, or DTR can be left off and the software decides, upon receipt of ring-indicator status, whether to answer the call or not.



M-581

Figure 1-3. Location of CLA and LM Card Cage in NPU Cabinet



- LEGEND:**
- ASYNC - ASYNCHRONOUS
  - CLA - COMMUNICATIONS LINE ADAPTER
  - CLE - COMMUNICATIONS LINE EXPANSION
  - CSU - CHANNEL SERVICE UNIT
  - DS - DATA SET
  - DSU - DATA SERVICE UNIT
  - SYNC - SYNCHRONOUS
  - TERM. - TERMINAL
  - TLC - TELEGRAPHIC LEVEL CONVERTER
  - TRANS - TRANSCEIVER

Figure 1-4. NPU System Application

TABLE 1-1. PHYSICAL CHARACTERISTICS

Characteristics	Value
Dimensions	
Length	14 in. (356 mm)
Width	11 in. (279 mm)
Thickness	
with card handle	0.9 in. (23 mm)
card only	0.063 in. (1.6 mm)
Weight	1.6 lb (0.73 kg)
Power Requirement	
Consumption	13.6 watts
Logic voltages	+5.0 ±0.25 V
	2.00 amp;
	+12.0 ±0.50 V
	0.15 amp;
	-12.0 ±0.50 V
	0.15 amp

TABLE 1-2. NONOPERATING ENVIRONMENTAL REQUIREMENTS

Parameter	Requirement
Altitude	1000 ft (305 m) below sea level to 15,000 ft (4575 m) above sea level
Temperature	-30°F to +150°F (-35°C to +66°C)
Thermal Shock	+80°F to -30°F (+27°C to -35°C) or +80°F to +150°F (+27°C to +66°C) (rate of change not to exceed 20°F (11.1°C) per hour)
Humidity	5% to 95% (no condensation)
Shock	18 impacts of 5g ±10% for a duration of 11 ±1 msec, with a maximum g occurring at 5.5 msec.  3 impacts in each direction along 3 major axes
Vibration	Peak displacement ±0.005 in. at 5 to 60 Hz, and acceleration of 2g at 60 to 500 Hz as packed for shipment

TABLE 1-3. OPERATING ENVIRONMENTAL REQUIREMENTS

Parameter	Requirement
Altitude	1000 ft (305 m) below sea level to 6000 ft (1830 m) above sea level
Temperature	Recommended: +72°F (+22°C) (ambient temperature for 255X Series system)
Humidity	Continuous operation at 90% relative humidity and 104°F (40°C). No operational condensation requirements. Excursion rate: not to exceed 10% per hour
Particulate Contamination	Range 3
Caustic Chemical Environment	Not allowed

**SIGNALING RATE SELECTION**

The ACLA can operate at any of the standard signaling rates: 75, 110, 134.5, 150, 300, 600, 1200, 2400, 4800, and 9600 baud. Other rates are also available. The signaling rate is selected by program command and can be different for transmit and receive.

**RESTRAINT SIGNAL DETECTION**

The ACLA provides the necessary interface for operating with an AT&T 811B Auxiliary Data Set used for TWX network connections. When the 811B detects a restraint condition from the TWX central office equipment, it activates a restraint-detection signal to the ACLA, causing the ACLA to suspend data transmission.

**DATA TRANSFER OVERRUN**

The ACLA generates data-transfer-overrun status bit if it assembles a new character before a previously assembled character has been transferred to the processor.



## LOOPBACK TEST

On-line maintenance and checkout of the ACLA can be performed by use of the loopback test feature. When the ACLA receives a loop-internal-test (LIT) command from the processor, data from the output section is routed directly to the input section. Also, modem control signal lines (e.g., request-to-send) are routed back to appropriate modem status lines (e.g., clear-to-send). The loopback test mode allows testing of all ACLA sections except the modem interface (level conversion) circuits.

## MODEM INTERFACE

The ACLA provides full interface with EIA RS-232-C and CCITT Recommendation V.24 standard signal levels at variable speeds. In addition to the normal data signals, the following control signals are accommodated:

- Request to send
- Clear to send
- Data set ready
- Data terminal ready
- Data carrier detector  
(Received line signal detector)
- Ring indicator
- Restraint detector
- Originate mode
- Local mode
- Secondary request to send
- Secondary data carrier detector
- Terminal busy

## FUNCTIONAL DESCRIPTION

### OPERATIONAL CONCEPT

The ACLA is a functional element of a demand-driven loop multiplexing subsystem. Figure 1-4 shows the interrelationship of the other functional elements of the subsystem.

The multiplex loop gathers input data and status from, and distributes output data and control to, many communications line adapters (CLAs). CLAs gain access to the multiplex loop through a loop multiplexer. The loop multiplexer allows a group of CLAs to access the multiplex loop through a single attachment point. It is essentially a passive device.

Both ends of the multiplex loop terminate at the multiplex loop interface adapter (MLIA), a control unit attached to the processor's input/output and direct memory access channels. The MLIA controls the operation of the multiplex loop, and transfers data and supervision between the loop and the processor. For more detailed information on the operation of the multiplexing subsystem, refer to the 255X Series HCP/NPU Hardware Reference Manual.

The ACLA assembles data character in its input section and disassembles them in its output section. On input, it converts serial data to parallel data, assembling the serial data at the signaling rate of the communications facility and transferring the data to the loop multiplexer. On output the ACLA functions as a parallel-to-serial converter, receiving the data characters from the loop multiplexer and outputting them serially at the signaling rate of the communications facility. The data paths of the ACLA are shown in figure 1-5.

## FUNCTIONAL SECTIONS

The ACLA consists of four functional sections: input, output, speed generators, and modem interface.

The input section receives serial data from the communications line and converts it to parallel format for input to the processor. The input section also monitors the data transfer process and communications facility (via the modem interface section) and reports status to the processor.

The output section converts parallel data from the processor to serial form for transmission to the communications line. The output section also accepts commands from the processor, which are used to control the data transfer process and communications facility.

The transmit and receive speed generators supply separate clock sources to the ACLA to operate at various baud rates. Each generator, under program control, can select one of four reference frequencies (provided by the loop multiplexer or special option) and divides it to produce the clock signals needed by the ACLA. All commonly used baud rates can be accommodated.

The modem interface section contains circuits that convert the electrical interface signals required by the communications facility (e.g., modem) to levels compatible with the internal ACLA logic. The ACLA interfaces with communications facilities that conform to EIA Standard RS-232-C or CCITT Recommendation V.24 interface standards and operates with modems compatible with AT&T 103, 113, and 202 Data Sets and CDC 358-1 transceiver. It operates at variable input and output speeds up to a maximum of 9600 bps.

### Input Section

#### DATA INPUT

The input section of the ACLA may be set, via a command through the loop multiplexer, so that it ignores all inputs on the data line. Data assembly occurs only if the ACLA has received a command instructing it to monitor the input data line.

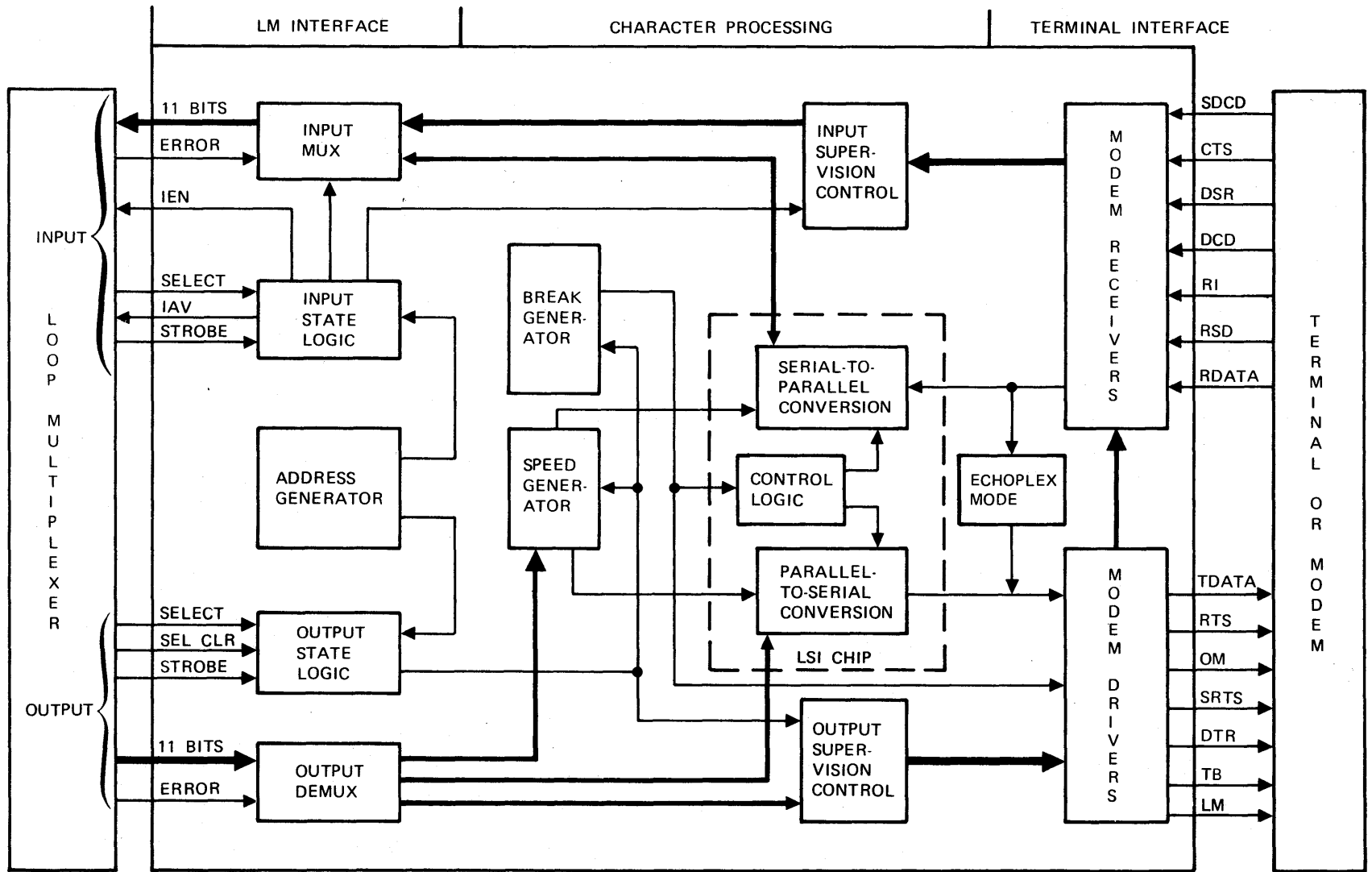


Figure 1-5. ACLA Block Diagram

Following initialization by the processor, the ACLA monitors the input data line for a mark (negative voltage) to space (positive voltage) transition. Upon detection of the mark-to-space transition, the ACLA initiates input character timing and ensures that a valid character start bit is present. If the input data line is found to be of a marking condition at one-half bit time after the beginning of the start bit, the ACLA resets its character timing and halts character assembly. If the data line is still at a spacing condition, the timing continues running until the incoming data character is assembled and transferred to the storage buffer in preparation for transfer to the loop multiplexer. At this time, the ACLA sets input available (IAV) which notifies the loop multiplexer that data is ready to be accessed. The ACLA does not transfer the received parity bit to the loop multiplexer when checking parity, but does transfer all bits received when not checking parity.

#### INPUT ERROR CONDITIONS

The ACLA uses three methods of error checking to ensure the integrity of the incoming data. This is to insure that no data is lost or transferred in error without a report being made to the software. Via command from the processor, the ACLA can be instructed to check for either even or odd character parity or to ignore character parity. Upon detection of a character parity error, input-available signal to the loop multiplexer is set and the parity-error-status (PES) bit is set to a 1 in the status buffer.

The second method of error checking is the framing error which is also used to detect a break condition. To assure that the incoming character is valid, the ACLA checks to see if a valid stop bit is present. If the data line is at spacing condition in the middle of the first stop bit, input-available to the loop multiplexer sets and the framing-error-status (FES) bit is set to a one in the status buffer. Following detection of a framing error, the ACLA ceases to record the information on the data line until it sees a mark-to-space transition on the data line. The data-line-monitor command from the processor can be used to force this condition. The break condition (one or more character-times of spacing) is detected by the reporting of a null character and framing error by the ACLA for each character time of break. To determine the length of the break condition, the program issues the data-line-monitor command to cause the ACLA to monitor the data line for one more character time. When a break condition has been determined to exist, the program may periodically interrogate the ACLA to determine the condition of the data line with the use of data-line-monitor. FES is

monitored and reported regardless of the state of input-on signal as long as input-status-on is logic 1.

When assembling characters, a previously assembled data character is held in the transfer buffer until the next data character is assembled. If the character in the transfer buffer has not been accessed by the loop multiplexer by the time the new character is assembled, the previous character is erased and the new character set into the buffer; input-available is set and the data-transfer-overflow (DTO) bit is set to 1 in the status buffer. The input section does not store more than one data character.

#### Output Section

##### DATA OUTPUT

The ACLA output section receives commands and parallel data from the processor via the LM and transfers the data in serial form to the modem at a signaling rate determined by an internal timing source.

The output section of the ACLA is presented with an address and a select signal. If the address corresponds to the settings of the address switches, the ACLA recognizes commands and/or data received at the output bus.

Any combination of commands and data can be received by the ACLA; however, the ACLA can receive no more than one character at a time and process no more than two characters at a time. These commands must be contiguous.

Commands consist of the appropriate format bits and 8 bits of information. When a command is received, the 8 information bits are loaded into the command 1 register. In the same manner, the second, third, and fourth commands are stored in their appropriate registers. These commands are used to determine word length, parity, mode, and the state of the modem control lines.

Before the initiation of transmitting data, the ACLA must be programmed to include: 5, 6, 7, or 8 bits of data; even, odd, or inhibited parity; and 1 or 2 stop bits. Asynchronous transmission requires that the ACLA add a start bit to the beginning of each character and parity and stop bits to the end.

When the processor is ready to output data, it sends the output-on (OON) command to the ACLA. Upon receipt of the OON command and if CTS is active from the modem, the ACLA generates output-data-demand (ODD), which in turn causes input-available (IAV) to be set. The LM responding to the IAV, selects the input side of the ACLA, picking up the ACLA address with the ODD bit set, and forwards it to the processor. The processor reacts to this ODD by sending

the first data character to the ACLA. The ACLA is inhibited from generating ODDs if any one of the following conditions are met: clear-to-send (CTS) signal from the modem is inactive; restraint detector from the modem is active; or OON is inactive.

Data received by the ACLA is loaded into the transmitter holding register by the output strobe signal and then into the transmitter shift register in preparation for a serial transmission on the transmit data line. This transference of data from the holding register to the shift register causes an ODD to be generated, which is forwarded to the processor, informing the processor that the ACLA can accept another character. If another data character is not received by the ACLA before completion of the serial transmission of the character in process, the transmit data line remains in the marking condition.

#### ECHOPLEX MODE

Upon receipt of a command, the ACLA can route the data received from the modem back to the modem while accomplishing normal processing of the incoming data.

#### BREAK GENERATION

Following the receipt of a break command, the ACLA places the transmit-data line at a constant spacing condition. This condition continues until a command is received to turn break command to off.

#### LOOP ERROR DETECTION

The ACLA monitors two error lines from the loop multiplexer for the reporting of errors on the loop. One line indicates errors on the input loop while the other indicates errors on the output loop. The ACLA reports input error status if the input line toggles true during an input select or output error status if the output line toggles true during the output select.

#### CLA ADDRESSING

Each CLA may be one of 32 CLAs attached to the loop multiplexer backplane. In order to increase efficiency, many of the signals coming to the ACLA are bus organized. Because of this, each ACLA must be capable of generating an 8-bit address on input frames and recognizing the same 8-bit address on output frames. Figure 1-5 shows the data interchange between the ACLA and the loop multiplexer.

#### MASTER CLEAR

When the master-clear (MCL) signal originating at the LM attains a logic 1 condition, the ACLA is set to an idle state; all bits of command word 1, break and ISON bits of command word 2, and ECHO and LIT bits of command word 3 are set to a logic 0; in addition, the transmit and receive shift register, receive storage buffer, framing-error status, parity-error status, and data-transfer-overflow status are reset. The transmit-data line sets to a marking condition. Input-loop-error, output-loop-error status, and ODD are not reset. MCL must be active a minimum of 30 microseconds before the ACLA is guaranteed to be in the idle condition.

#### Modem Interface Section

The modem interface section of the ACLA provides the level conversion logic to make the ACLA compatible with the signal levels of the modem. This section of the ACLA also monitors the modem status lines for a change of condition: either a logic 1-to-0, or 0-to-1 transition. When a change occurs, status is reported to the processor. An exception of this procedure is that the ring-indicator signal only triggers a status report on a logic 1-to-0 transition.

Via command from the processor, the ACLA can route the transmit data back to the input data assembly logic to test the data handling logic. The ACLA also returns the modem control signals to the modem monitor lines to verify operation of the modem interface circuits. The ACLA displays the condition of four RS-232-C interface lines via lights located on the card handle.

#### Speed Generators

The receive and transmit sections of the ACLA require clock sources that have a frequency 16 times the desired baud rate. The ACLA provides a receive or a transmit speed generator that selects one of four clock frequencies, divides it by a predetermined number between 1 and 16, and applies the quotient to the respective receive or transmit section of the ACLA. The speed generators function identically but are controlled by the processor independently through use of command words 2 and 4.

This section provides information on control, setup, and operation of the ACLAs as well as program control. The format of address, data, status and command (supervision) information flowing through or used by the ACLA is treated and descriptions of the various status and command bits are included.

**CONTROLS AND INDICATORS**

The controls and indicators consist of four modem light-emitting diode (LED) indicators, two thumbwheel address switches and an enable/disable toggle switch for each ACLA. Each address switch has a total of 16 different positions (hexadecimal); thus each pair of switches can be set to a total of 256 (16 times 16) different settings. The numerals 0 thru 9 and the letters A thru F are used to display the 16 possible settings for each switch. The upper thumbwheel switch in each pair represents the most significant digit.

Functionally, the address switch settings are encoded as an 8-bit binary address. Each ACLA in the user's system must be set to a unique address by means of the address switches. The communications processor receives data from or transmits to an ACLA based on the setting of its address switches; this routing of data is independent of the location of an ACLA card in its card cage.

The CLA1 and CLA2 enable/disable switches, when in the OFF position, disable the associated ACLA. This effectively cuts off all input from the ACLA to the processor. The switches should be at OFF while address switches are changed if the card is plugged in and the system is operating. The switches are set to the on position only after the card has been inserted and the proper address selected. The names and functions of all ACLA switches and indicators are listed in table 2-1. The switches and indicators are shown in figure 2-1.

**OPERATING PROCEDURES**

Operation of the ACLA is automatic, and no operator action is required.

**PROGRAMMING CONSIDERATIONS**

The following programming reference information for the ACLA does not contain specific procedures for constructing an actual program. To prepare a program to control the ACLA requires detailed knowledge of the operation of the multiplexing subsystem elements, the multiplex loop interface adapter, multiplex loop, and loop multiplexer. The information required may be found in the network processor unit hardware reference manual.

TABLE 2-1. SWITCHES AND INDICATORS

Name	Display/Status	Function
Address switches	Two hexadecimal digits	Designation of ACLA at setting displayed in hexadecimal code (00 to FF). The top switch is most significant digit; bottom switch is least significant digit.
CLA(1 or 2)/OFF switches	OFF/on	Logical disconnection of the input-available signal to the LM from each ACLA
Modem indicator SD	Blinking/off	Blinking, indicates ACLA sending data to modem
Modem indicator RD	Blinking/off	Blinking, indicates ACLA receiving data from modem
Modem indicator RTS	Lighted/off	Lighted, indicates request-to-send from ACLA is active
Modem indicator DSR	Lighted/off	Lighted, indicates data-set-ready from modem is active

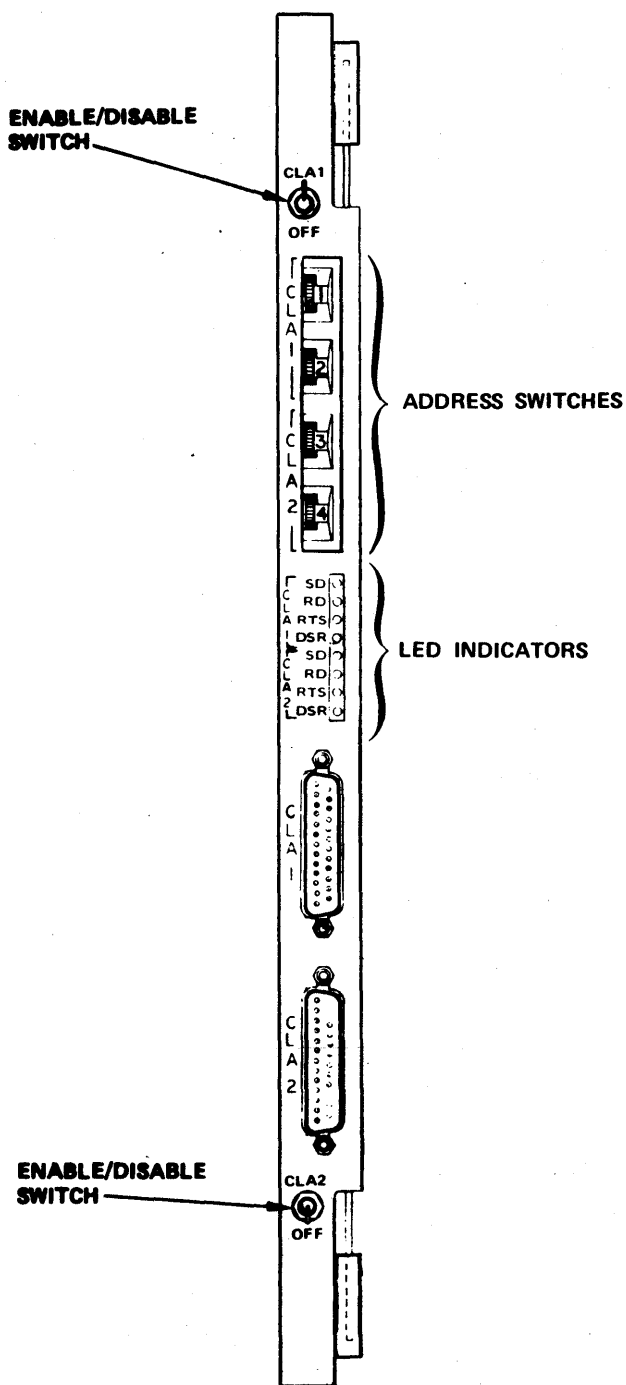


Figure 2-1. Controls and Indicators, ACLA Card Handle

### MULTIPLEXING SUBSYSTEM OVERVIEW

The processor communicates with a CLA via the multiplex loop. The multiplex loop consists of two independent loops, the input loop and the output loop. The input loop carries output data demands, input data, and supervision (status) from the ACLA to the processor. The output loop carries output data and supervision (commands) from the processor to the ACLA.

Information is transferred serially bit by bit on the loops. Loop cell structure is shown in figure 2-2. Every twelfth bit is a cell frame marker that defines a 12-bit loop cell. The cell frame marker is followed by a cell identification field (three bits), which defines the contents of the remaining field (8 bits) of the cell. The loop multiplexer receives information from the output loop and presents the cells in parallel form to the CLA (an 11-bit interface is used; the cell frame marker bit is deleted). Similarly, the ACLA transfers cells (11 bits) to the loop multiplexer, which presents them serially (and adds the cell frame marker bit) to the input loop.

A line frame is a group of contiguous loop cells related to a particular ACLA. The first cell of a line frame contains the address of the CLA and the last cell contains a cyclic redundancy check (CRC) character. Other cells within the frame may contain data and/or supervision (status or commands). All cells are passed unmodified between the multiplex loop and the CLA, except the check character which is removed from the output loop and added to the input loop by the loop multiplexer.

### LINE FRAME FORMATS

The ACLA uses the following general line frame format on the input loop:

ACLA Address	Input Data	Status Word 1	Status Word 2	CRC Character
--------------	------------	---------------	---------------	---------------

The ACLA address cell is always present and may contain an active output data demand bit. The data cell may appear next and contains input data. Two supervision cells may also follow and contain status word 1 and status word 2. If any status is to be reported, both status words always appear. The CRC (cyclic redundancy check) character is added by the loop multiplexer and does not concern the ACLA.

The following general line frame format is required by the ACLA on the output loop:

ACLA Address	Output Data	Command Word 1	Command Word 2	CRC Character
--------------	-------------	----------------	----------------	---------------

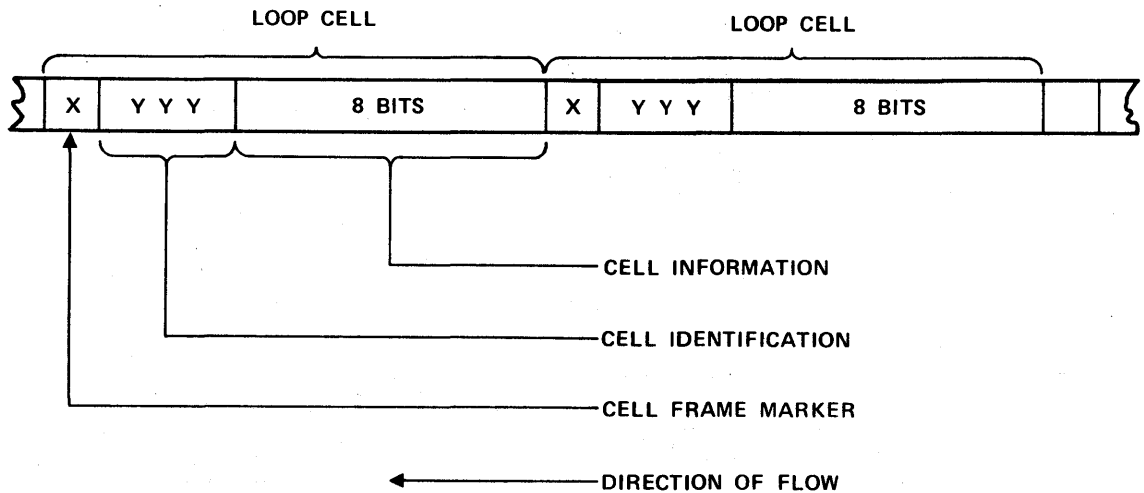


Figure 2-2. Loop Cell Structure

The ACLA address cell is always present. Either the data cell or command words may appear next. The data cell contains output data. From one to four supervision cells may appear and contain command words 1, 2, 3, and 4. Allowable combinations of command words are: none; 1; 1 and 2; 1, 2 and 3; or 1, 2, 3, and 4. The CRC character is removed by the loop multiplexer before being transferred to the ACLA.

**CELL AND WORD FORMATS**

The formats of the various word types used within the ACLA are presented in table 2-2. Processor word and loop multiplexer cell bit position identifications are shown in the table. These are for reference only and are of no real concern to the ACLA. Within the loop multiplexer and processor, each word consists of 12 bits. As noted earlier, however, bit position 0 of the LM is a cell frame marker used for loop timing. This bit is not employed within the ACLA as noted by each X in the table.

The rightmost 8 bits (I1 thru I8) of the LM cell contain information while the leftmost 3 bits (F1 thru F3) contain a code defining the type of information included in I1 thru I8. These codes, which are shown in the table, designate the information as the ACLA address, data, an ACLA status report to the processor, or a command from the processor.

**Addressing Cell**

Each ACLA is designated by a different 8-bit binary address, as set by the hexadecimal address switches on the ACLA card handle. Thus, when data, input-supervision, or output-data-demand signals are presented to the loop multiplexer from the ACLA, the

first operation of the ACLA is to present its particular address.

Data or output supervision presented to the ACLA from the LM is preceded by an address. The ACLA compares this address with the internally preset address. If the two agree, the ACLA accepts the data or supervision. The addressing code format is shown in table 2-3. The mnemonics OF, IO, IF and II represent output format, information output, information format and information input, respectively.

In table 2-3 bit position IF3 is the output-data-demand bit in the address code. When the address is presented to the LM from the ACLA, the bit is a logic 1 if an ODD is present, and is a logic 0 if no ODD is present. This bit must be a logic 1 in an output loop address cell (OF3).

Address position A1 is the most significant bit and A8 is the least significant bit in the binary coded address.

**Data Cell**

The data cell transfers information into or out of the ACLA via the loop multiplexer. The data cell format is presented in table 2-4. Bit D1 is always the first bit received from or transmitted to the modem by the ACLA.

**Supervision Cell**

The supervision cell on output gives information to the ACLA in the form of commands. On input this cell gives information to the processor in the form of status words from the ACLA.

TABLE 2-2. CELL FRAME FORMATS

Word/Field Type	Bit Position											Flow	
Processor Word	11	10	9	8	7	6	5	4	3	2	1	0	/
LM Cell	0	1	2	3	4	5	6	7	8	9	10	11	
Information Field	X				I1	I2	I3	I4	I5	I6	I7	I8	
Identification Field	X	F1	F2	F3									
Address ID Field	X	1	1	†	← Address →								LM ←→ ACLA
Data ID Field	X	1	0	0	← Data →								LM ←→ ACLA
Status ID Field	X	1	0	1	← Status →								ACLA → LM
Command ID Field	X	1	0	1	← Command →								LM → ACLA

†This bit is the output data demand (ODD) during an address transfer to the LM.

TABLE 2-3. ADDRESSING CODE FORMAT

Loop Cell Bit Position	B0	B1	B2	B3	B4	B5	B6	B7	B8	B9	B10	B11
LM to ACLA Interface	/	OF1	OF2	OF3	IO1	IO2	IO3	IO4	IO5	IO6	IO7	IO8
ACLA to LM Interface		IF1	IF2	IF3	II1	II2	II3	II4	II5	II6	II7	II8
Bit Content		1	1	0/1	A1	A2	A3	A4	A5	A6	A7	A8

TABLE 2-4. DATA CELL FORMAT

Loop Cell Bit Position	B0	B1	B2	B3	B4	B5	B6	B7	B8	B9	B10	B11
LM to ACLA Interface	/	OF1	OF2	OF3	IO1	IO2	IO3	IO4	IO5	IO6	IO7	IO8
ACLA to LM Interface		IF1	IF2	IF3	II1	II2	II3	II4	II5	II6	II7	II8
8- or 9-bit†character		1	0	0	D8	D7	D6	D5	D4	D3	D2	D1
7-bit character		1	0	0	0	D7	D6	D5	D4	D3	D2	D1
6-bit character		1	0	0	0	0	D6	D5	D4	D3	D2	D1
5-bit character		1	0	0	0	0	0	D5	D4	D3	D2	D1

†For a 9-bit character the additional bit is a parity check bit. This is handled internally and does not appear at the ACLA/LM interface; consequently, only 8 bits are shown in this table.

STATUS WORDS

Most status changes, error conditions, or a status request command cause status to be reported, and two characters are sent to the processor. The status word 1 and status word 2 formats are shown in tables 2-5 and 2-6, respectively. In both tables a logic 1 indicates that the associated modem signal or status condition is active (on), and a logic 0 indicates that the condition is not active (off).

COMMAND WORDS

The command words are instructions from the processor in the form of command words 1, 2, 3 and 4, which must be received in sequence. For example, words 1 and 2 must be received before word 3, and word 2 must always be preceded by command word 1. However, command word 1 can be received as a single word command. Formats for command word 1 and command word 2 are shown in tables 2-7 and 2-8. A logic 1, in the position indicated, activates the associated signal, while a logic 0 deactivates the signal. The commands operate independently of each other.



TABLE 2-5. STATUS WORD 1 FORMAT

Loop Cell Bit Position	B0	B1	B2	B3	B4	B5	B6	B7	B8	B9	B10	B11
ACLA to LM Interface	/	IF1	IF2	IF3	II1	II2	II3	II4	II5	II6	II7	II8
Bit Content		1	0	1	CTS	DSR	DCD	RI	SDCD		ILE	OLE

**CTS** - Clear-to-send. This status bit indicates the state of the clear-to-send modem signal. When active, it indicates the modem is ready to accept data from the ACLA. It must be active to enable data output from the CLA. If this signal changes from a logic 1 to a logic 0 during character output, the current character is completed and the transmit-data line is set to marking condition. A change of state of this signal does not cause status to be reported.

**DSR** - Data-set-ready. This status bit indicates the state of the data-set-ready modem signal. When active, it indicates that power is applied to the modem and that it is connected to the communications line. Any change of state of this signal causes status to be reported.

**DCD** - Data-carrier-detect. This status bit indicates the state of the receive-line-signal-detect modem signal. When active, it indicates that a carrier signal is being received by the modem. Any change of state of this signal causes status to be reported.

**RI** - Ring-indicator. This status bit is set and status reported each time the modem ring-indicator signal goes from an on state to an off state. This indicates that the modem is receiving an incoming call from a remote station. The status bit is reset when the status words are sent to the processor.

**SDCD** - Secondary-data-carrier-detector or secondary-received-line-signal detector. This status bit indicates the state of the secondary data-carrier-detector signal from the modem. This signal is used to indicate circuit assurance status or to signal an interrupt. Any change of state of this signal causes status to be reported.

**ILE** - Input-loop-error. When set to a 1, the bit indicates that the LM has detected a loop error while the ACLA was using the input loop. This status is reset when the status words are sent to the processor.

**OLE** - Output-loop-error. When set to a 1, this bit indicates that the LM has detected a loop error while the ACLA was using the output loop. This status is reset when the status words are sent to the processor.

TABLE 2-6. STATUS WORD 2 FORMAT

Loop Cell Bit Position	B0	B1	B2	B3	B4	B5	B6	B7	B8	B9	B10	B11
ACLA to LM Interface	/	IF1	IF2	IF3	II1	II2	II3	II4	II5	II6	II7	II8
Bit Content		1	0	1	PES	DTO	FES					

**PES** - Parity-error-status. This status is generated when the ACLA has been instructed to check for even or odd character parity and a character is received with incorrect character parity. The status always appears in the same line frame as the character. This status is reset when the status words are sent to the processor.

**DTO** - Data-transfer-overflow. This status is generated by the ACLA when it has a data character that is ready for transfer to the LM before the LM has accepted the previously assembled character. The previously assembled character is lost. This status is reset when the status words are sent to the processor.

**FES** - Framing-error-status. This status is posted by the ACLA when a character is received from the modem without the presence of a stop bit. The status always appears in the same line frame as the character. This status is not reset until another character with proper stop bit is received.

NOTE

FES can be set independently of the state of the ION (input-on) command. The character received that caused FES is always transferred. See Programming Notes for use of FES in break detection.

TABLE 2-7. COMMAND WORD 1 FORMAT

Loop Cell Bit Position	B0	B1	B2	B3	B4	B5	B6	B7	B8	B9	B10	B11
LM to ACLA Interface	/	OF1	OF2	OF3	IO1	IO2	IO3	IO4	IO5	IO6	IO7	IO8
Bit Content		1	0	1	RTS	SRTS	OM	LMA	DTR	TB	ION	OON

<p>RTS - Request-to-send. A logic 1 here activates the request-to-send line to the modem while a logic 0 deactivates RTS.</p> <p>SRTS - Secondary request-to-send. A logic 1 activates the secondary request-to-send line to the modem (referred to as secondary send-data on some modems). On modems equipped with a reverse channel transmitter, supervisory information can be sent to a remote station while the ACLA is receiving data from the station over a half-duplex, 2-wire circuit. Typical uses include circuit assurance, error control, and interrupt (break). A logic 0 deactivates SRTS.</p> <p>OM - Originate mode/auxiliary. A logic 1 in this position causes the ACLA to notify the modem equipment that it is in the originate mode. A logic 0 indicates answer mode. This line is an auxiliary signal line and may be used for other functions as designated by system design.</p> <p>LMA - Local mode/auxiliary. A logic 1 in this position causes the ACLA to notify the modem (when equipped) to loop back the analog signal on the modem. A logic 0</p>	<p>disables the loopback. This line is an auxiliary signal line and may be used for other functions as designated by system design.</p> <p>DTR - Data-terminal-ready. A logic 1 in this location causes the ACLA to notify the modem that the system is ready to communicate with the modem. A logic 0 causes a not-ready signal to be reported.</p> <p>TB - Terminal-busy. A logic 1 causes the ACLA to notify the modem to busy-out-the-line. A logic 0 disables this function.</p> <p>ION - Input-on. When this bit is a logic 0, the input section of the ACLA cannot receive data characters nor transfer data to the LM. A logic 1 causes normal input operation.</p> <p>OON - Output-on. A logic 1 causes the output section of the ACLA to report output-data-demand initially when command is received if clear-to-send is active, and enables the output to report output-data-demand whenever the output buffer is empty. A logic 0 inhibits reporting of output-data-demand.</p>
---	--

TABLE 2-8. COMMAND WORD 2 FORMAT

Loop Cell Bit Position	B0	B1	B2	B3	B4	B5	B6	B7	B8	B9	B10	B11
LM to ACLA Interface	/	OF1	OF2	OF3	IO1	IO2	IO3	IO4	IO5	IO6	IO7	IO8
Bit Content		1	0	1	BREAK	ISR	ISON	DLM	RSR1	RSR2	TSR1	TSR2

<p>BREAK - Break-mode. A logic 1 here causes the ACLA to place the transmit-data line in a spacing condition (0 state). A logic 0 inhibits the break operation and returns the line to marking condition (1 state).</p> <p>ISR - Input-status-report. A logic 1 in this position causes the ACLA to report the status of the RS-232 interface lines and any other ACLA status that may be active once each time the command is received. The ISR command is honored only when the ACLA has previously received a logic 1 in the ISON position. This is a momentary nonstored command. (If ISR is a 1 and ISON is a 1 in the same line frame, status is reported.)</p> <p>ISON - Input-status-on. When a logic 1 is in this bit position, the ACLA monitors the modem interface and reports input supervision. A logic 0 inhibits monitoring and reporting. Status is not reported automatically when this command bit is first received by the ACLA. The ACLA must</p>	<p>receive either an ISR command or status change to report input supervision.</p> <p>DLM - Data-line-monitor. A logic 1 here causes the ACLA to monitor the receive-data line that is in a break condition for one character time after reception of the command. This command is used to allow the processor to determine the length of a break condition on data input. This is a momentary, nonstored command.</p> <p>RSR1, RSR2 - Receive-speed-range 1 and 2. This code causes the ACLA to select a reference frequency from the LM to provide a range of baud rates selectable by bits IO1 thru IO4 in command word 4. See table 2-9.</p> <p>TSR1, TSR2 - Transmit-speed-range 1 and 2. This code causes the ACLA to select a frequency from the LM to provide a range of transmit baud rates selectable by bits IO5 thru IO8 in command word 4. Table 2-9 shows the code and related reference frequencies.</p>
--	---

TABLE 2-9. CODE BITS AND REFERENCE FREQUENCIES

Freq Desig	Code				Reference Frequency	Baud Rate
	IO5	IO6	IO7	IO8		
A	0	0	0	0	9.6 kHz	45 to 100
B	1	0	1	0	19.2 kHz	100 to 600
C	0	1	0	1	153.6 kHz	600 to 9600
D	1	1	1	1	Special <sup>†</sup>	Special <sup>†</sup>

<sup>†</sup> Provided by an optional 115.2 kHz oscillator attached to the LM backplane. This special frequency can be used to accommodate a baud rate not available from the range of transmit baud rates shown in table 2-10.

Each time a command is given to the ACLA, each bit (IO1 thru IO8) must be set to the condition desired on the associated function. Failure to do this will result in the condition being cleared or set to a different condition. Each time a command is given, the ACLA monitors each bit and takes the action dictated.

NOTE

When IO1 thru IO8 in command words 1 and 2 are all set to logic 0, the ACLA is cleared to a known state which disables any input (output data demand, status or data) from the ACLA to the processor.

In command word 3, four bit positions (B4 thru B7) specify: 1) character length to be employed in interfacing with the external communications facilities, 2) whether parity bits are included in the data, and 3) whether the parity bit, if included, is odd or even. Parity bit management applies only to the serially transferred data on the communications line. There is no parity bit exchange between the ACLA and the LM.

Command word 3 format is depicted in table 2-11. Bit position 7, PSET, selects odd or even parity as indicated by the presence of a logic 0 or 1, respectively. Bit position 6, denoted PI for parity inhibit, commands the ACLA to check for parity upon input and to add a parity bit to the transmitted serial data stream upon output. A PI bit of logic 0 initiates these functions whereas a bit content of logic 1 commands the ACLA to dispense with parity generation and checking. This is indicated in table 2-12, which also presents the CO1 and CO2 bit code determining the character length employed during data transfers with the modems.

The character length, in terms of information content may be either 5, 6, 7, or 8

bits in length. However, if the PI bit is a logic 0, a parity bit is coupled with the information. In this case, the character length may be as long as 9 bits. Bit positions 10 and 11 specify the character length without parity and are coded as shown in table 2-12.

Command word 4, shown in table 2-13, is used in conjunction with bits IO5, IO6, IO7 and IO8 of command word 2 to set the baud rate for the input and output sections. The input and output baud rates may differ. To determine the proper code for the baud rate, select the range from command word 2 in which the desired rate is contained and the desired baud rate from command word 4.

The baud rate can be determined using an algorithm with the appropriate bits (4 bits on input or 4 bits on output) from command word 4 in conjunction with the range selected from command word 2. Proceed as follows to find the baud rate:

1. Complement each bit of the two 4-bit fields of command word 4. Convert each result to a base ten number using IO4 as the most significant bit for the input field and IO8 as the most significant bit for the output field. Add one to each result.
2. Multiply the above result by 16<sub>10</sub>.
3. Divide this product into the reference frequency selected from table 2-10.

The following example illustrates this algorithm for baud rate determination:

Given:

from command word 4 - IO4 IO3 IO2 IO1  
0 1 0 1

from command word 2 - IO5 IO6  
1 0 (19.2 kHz)

Complement 0101<sub>2</sub> = 1010<sub>2</sub> = 10<sub>10</sub>

Add one to the result = 1011<sub>2</sub> = 11<sub>10</sub>

Then, the baud rate =  $\frac{19.2 \times 10^3}{11 \times 16} =$

109.1 baud

NOTE

The ACLA must be able to receive data that might have up to 40 percent distortion, that is, 40 percent of a bit per character. The result found above is valid for a 110 baud communications line, having .82 percent tolerance of the nominal value of 110 baud.

TABLE 2-10. COMMON BAUD RATES AND COMMAND CODES

Baud Rate	Speed - Command Word 4								Range - Command Word 2					
	Input				Output				Freq Desig	Input		Output		
	I1	I2	I3	I4	I5	I6	I7	I8		I5	I6	I7	I8	
9600	1	1	1	1	1	1	1	1	C	0	1	0	1	
7200 (Special)	1	1	1	1	1	1	1	1	D	1	1	1	1	
4800	0	1	1	1	0	1	1	1	C	0	1	0	1	
3600 (Special)	0	1	1	1	0	1	1	1	D	1	1	1	1	
2400	0	0	1	1	0	0	1	1	C	0	1	0	1	
1800 (Special)	0	0	1	1	0	0	1	1	D	1	1	1	1	
1600	0	1	0	1	0	1	0	1	C	0	1	0	1	
1200	0	0	0	1	0	0	0	1	C	0	1	0	1	
1050	1	1	1	0	1	1	1	0	C	0	1	0	1	
800	0	0	1	0	0	0	1	0	C	0	1	0	1	
600	0	1	1	1	0	1	1	1	B	1	0	1	0	
300	0	0	1	1	0	0	1	1	B	1	0	1	0	
150	0	0	0	1	0	0	0	1	B	1	0	1	0	
133.3	1	1	1	0	1	1	1	0	B	1	0	1	0	
120	0	1	1	0	0	1	1	0	B	1	0	1	0	
110	1	0	1	0	1	0	1	0	B	1	0	1	0	
100	0	0	1	0	0	0	1	0	B	1	0	1	0	
75	0	0	0	0	0	0	0	0	B	1	0	1	0	
66.67	1	1	1	0	1	1	1	0	A	0	0	0	0	
50.0	0	0	1	0	0	0	1	0	A	0	0	0	0	

TABLE 2-11. COMMAND WORD 3 FORMAT

Loop Cell Bit Position	B0	B1	B2	B3	B4	B5	B6	B7	B8	B9	B10	B11
LM to ACLA Interface	/	OF1	OF2	OF3	IO1	IO2	IO3	IO4	IO5	IO6	IO7	IO8
Bit Content		1	0	1	PSET	PI	CO1	CO2	SB		ECHO	LIT
<p>PSET - Parity-set. When B4 is a logic 1, concurrent with PI set to a logic 0, the ACLA generates and checks for even parity. A logic 0 concurrent with PI set to a logic 0 causes the ACLA to generate and check for odd character parity.</p> <p>PI - Parity-inhibit. When B5 is a logic 0, the ACLA checks character parity on input and generates character parity on output. A logic 1 causes the ACLA to ignore parity.</p> <p>CO1, CO2 - Code 1 and Code 2 bits form a code so that each combination corresponds to a character length of either 5, 6, 7 or 8 bits. The checking and generation of character parity adds one information bit to the character and therefore must be considered when selecting the unit code. Table 2-12 shows these code bits in relation to parity-inhibit bit.</p> <p>SB - Stop-bit. A logic 1 in B8 position causes the output logic to generate two stop bits (For 5 data bits, the stop bit is 1.5 units in length.) on output and a logic 0 generates one stop bit.</p> <p>ECHO - Echoplex mode. A logic 1 in this position causes the ACLA to return all data received from the modem on the receive-data line back to the modem on the send-data line while maintaining normal data processing in the input logic. A logic 0 inhibits echoplex operation.</p> <p>LIT - Loop-internal-test. A logic 1 in this position causes the ACLA to go into an echoplex mode. Data and modem control signals from the output section are routed (looped back) to the input section. Refer to Programming Notes for additional information on this mode of operation. A logic 0 disables the echoplex mode.</p>												

TABLE 2-12. CHARACTER LENGTH AND PARITY STATUS CODE

Parity	Code (B9-B11)			Character Length (incl. parity)
	PI	CO1	CO2	
Yes	0	0	0	6
	0	1	0	7
	0	0	1	8
	0	1	1	9
No	1	0	0	5
	1	1	0	6
	1	0	1	7
	1	1	1	8

### PROGRAMMING NOTES

The following notes provide additional information on the operation of the ACLA and are intended to assist the programmer. Typical input and output operations are presented.

#### ACLA INITIALIZATION

Before the ACLA is used following a power-up situation (either power up of a system in which the ACLA is already installed, or installation of the ACLA in an operating system or enablement of the ACLA by setting one of the enable/disable switches from the OFF to ON position), it should be cleared. Clearing the ACLA in this situation requires that the program perform the following:

1. Send output supervision with command words 1, 2 and 3 set to logic 0.
2. Momentarily activate the input-supervision-on (ISON) command with the appropriate output supervision. This causes any erroneous status set during the power-up sequence to be reported and cleared.

Any input line frames received from the ACLA prior to completion of the clear process should be ignored.

Once the ACLA is known to be in a cleared state, it can be initialized. Initialization generally consists of sending output supervision to activate ISON, selecting parity option and character length, and setting baud rate.

### COMMUNICATIONS LINE CONNECTION

For switched (dial up) network connections, ring-indicator (RI) status indicates that the local modem is receiving an incoming call from a remote station. To cause the modem to answer the call, the program must send a command to turn data-terminal-ready (DTR) on. When the call has been answered, data-set-ready (DSR) is turned on and status reported.

For dedicated (private line) network connections, RI and DTR generally are not used. The program can determine the state of DSR by sending an input-supervision-report (ISR) command and observing the state of DSR status in the supervision returned.

In either type of network connection, DSR on indicates that the modem is connected to the communications line and data transmission can take place. DSR off at any time indicates that the modem is not connected to the communications line and data transmission cannot take place. Loss of DSR can occur because of any one of the following conditions:

1. Local modem is in a power-off condition.
2. Local modem is in a nondata mode of operation, such as alternate voice or test modes.
3. ACLA to modem cable is disconnected.
4. Local modem has gone to an "on hook" state and logically disconnected itself from the communications line.

#### INPUT OPERATION

When the remote station begins transmission, a carrier signal is applied to the communications line. The local modem detects this carrier, and DCD status is reported.

#### NOTE

In some situations, carrier is present continuously and is not turned on and off with each transmission.

To receive data (i.e., message from remote station), ION must be activated.

On two-wire, half-duplex communications facilities, ION should be deactivated before

TABLE 2-13. COMMAND WORD 4 FORMAT

Loop Cell Bit Position	B0	B1	B2	B3	B4	B5	B6	B7	B8	B9	B10	B11
LM to ACLA Interface	/	OF1	OF2	OF3	IO1	IO2	IO3	IO4	IO5	IO6	IO7	IO8
Bit Content		1	0	1	F1	F2	F4	F8	F1	F2	F4	F8
Field Definition		Format				Receive				Transmit		

output to avoid receiving back the message transmitted.

## OUTPUT OPERATION

To transmit data, output-on (OON) command must be activated. Also, request-to-send (RTS) must be turned on if not so conditioned previously. When the modem is ready to transmit data, it returns clear-to-send (CTS) signal, which causes the ACLA to generate the first output-data-demand (ODD) and to report CTS status.

When the program receives an ODD, it should return a character to the ACLA. Each time that the ACLA transfers a character from its buffer register to the shift (disassembly) register, it generates an ODD. This sequence is repeated until the last character of the message is transmitted. RTS can be deactivated one character time (or more, depending on the modem type) after the generation of the last ODD.

## LOOPBACK TEST OPERATION

To operate in loopback test mode, the loop internal test (LIT) command must be sent to the ACLA. Data and modem control signals from the output section are routed (looped back) to the input section as follows:

1. Transmit-data (TD) is connected to receive-data (RD).
2. Request-to-send is connected to clear-to-send.
3. Data-terminal-ready is connected to data-set-ready.
4. Local-mode is connected to data-carrier-detector (receive-line-signal-detector).
5. Secondary request-to-send is connected to secondary-data-carrier detector (secondary-receive-line-signal-detector).
6. Terminal-busy connects to ring-indicator.

While in this mode, all signals received from the modem are blocked and ignored by the ACLA. However, on the output side, signals to the modem are not blocked and caution must be used while in loopback test mode to avoid undesirable operation of the modem. For instance, while testing the operation of data-terminal-ready, an on condition is being received by the modem as well as being looped back as in item 3 above. If an incoming call was received in

this situation, the modem would answer; this may confuse the calling station since no data transfer would occur. Therefore, DTR should only be turned on momentarily to test its operation and left off during other ACLA tests.

## BREAK/OPEN-LINE DETECTION

Break (one or more character times of a spacing) or open-line (continuous spacing) conditions on the receive-data line can be detected by use of framing-error-status (FES) and the data-line-monitor (DLM) command. When a character is received without a stop bit (spacing or logic 0 condition detected when receive-data line is sampled for first stop bit), FES is reported in conjunction with the character. Following detection of a framing error, the ACLA locks up and is not in a condition to assemble additional characters until it sees a space-to-mark transition on the receive-data line or a data-line-monitor command. The program must issue a DLM command each time it receives FES to cause the ACLA to monitor the receive-data line for another character time. The program detects a break condition by the receipt of one or more (the exact number is established by software) consecutive null (all zero) characters accompanied by FES. Once a break or open-line condition has been determined to exist, the program may periodically interrogate the state of the line by issuing a DLM command. If the line remains in a spacing condition, the DLM command causes a null character to be assembled and FES reported. If the line has returned to a marking condition, the DLM command has no effect.

The ACLA monitors for framing errors at all times. It transfers the character received and reports FES whenever the ISON command is active, independent of the state of the ION command. Thus, break detection is possible while the ACLA is transmitting to a remote station even though the input section may be disabled (ION off).

## RESTRAINT DETECTOR

For operation on the TWX network, the local modem may occasionally signal the ACLA to suspend data transmission. This condition may occur when the ACLA can transmit data to the TWX central office faster than the central office can convert the data and transmit it on to the appropriate station. The ACLA simply inhibits generation of ODDs while the restraint-detection signal is active, the net effect on software being a momentary delay in receipt of ODDs.

# INSTALLATION AND CHECKOUT

## UNCRATING

### CAUTION

Although the integrated circuits and discrete components mounted on the individual printed circuit card can withstand considerable shock, the units must be handled with care. In no case should units be stacked directly upon one another because the printed circuit foil, components, or integrated circuits may be loosened or broken by such action.

The ACLA may be shipped already installed in a card cage assembly, or independently in a specially padded cardboard shipping container. Regardless of the method used for shipment, carefully unpack the units and check for damage. If a unit has been damaged in shipping, refer to section 8:503:00 of the Field Procedures Guide for Customer Engineers for instructions on disposition of damaged equipment.

## INSTALLATION

### CIRCUIT CARD TYPES

The DU137-A ACLA, PN74447001, is directly interchangeable with the DU189-A, DU189-B, DU190-A, DU190-B, DU191-A, or DU191-B ACLA, PN74877129, tables 3-1 and 3-2.

### CABLE TYPES

Two cables are required for each ACLA card. The DU137-A ACLA is used with any of the cable sets listed in table 3-1. The DU189, DU190, and DU191 ACLAs, listed in table 3-2, contains the card and cables selected for specific applications.

Three types of cable assemblies are available for ACLA cards, each type used for a different application. The cable type is identified by its assembly part number on a band around the cable at one end. A typical cable and its connectors are illustrated in figure 3-1. Tables 3-3, 3-4, and 3-5 provide pin connection data for each type of cable.

ACLA cables with exposed shields are used with B version NPU cabinets containing electromagnetic interference shielding. On each cable, 3 feet (0.9 metre) of cable

shielding adjacent to the CLA connector is exposed to enable grounding to the cabinet frame.

### CIRCUIT CARD LOCATIONS

ALCA circuit cards are installed in a CLA and loop multiplexer card cage. See figure 1-2. There may be from one to four card cages used in the multiplexing subsystem, all identical. If only one card cage is used, it is located in the lower section of the bay. See figure 3-2. Of the 18 slots available in a card cage, the two rightmost are reserved for loop multiplexer cards. ACLA cards can be inserted into any or all of the remaining 16 slots.

### COMMUNICATIONS LINE EXPANSION UNITS

Optional CLA and LM card cages have the same capacity as the basic card cage and are known as communications line expansion (CLE) units.

The first optional communications line expansion provides the second card cage assembly, which is mounted in the center of the cabinet above the first cage.

The second optional CLE unit provides the third card cage assembly, which is mounted in the lower section of the stand-alone cabinet. See figure 3-3. This option also includes a blower assembly and a power supply.

### NOTE

The 2550-2 Host Communications Processor and the 2552-2 NPU each contain a second bay which houses the second and third CLEs.

The final CLE option provides a fourth card cage assembly, which is mounted in the center of the stand-alone cabinet. This unit uses power and cooling from the second CLE unit.

### CARD LOCATION PRIORITIES

Because each CLE card cage assembly is identical in configuration and each CLA is the same as another in size, a CLA card can be physically installed in any card slot of any CLA and LM card cage.

Although random insertion of CLA cards into any of the available slots is permissible, best system performance is obtained when the cards having the highest character rates are inserted into the highest priority slots.

TABLE 3-1. CABLES USED WITH DU137-A ACLA

Equipment Number	Part Number	Application	Connector to Modem/Terminal	Connector to ACLA
XA133-A YA228-A	74657700 74875756†	Compatible with AT&T 103/113 Data Sets	25-contact plug	25-contact receptacle
XA135-A YA230-A	74657900 74875846†	Connects directly to terminal without a modem. Compatible with any terminal with RS-232-C interface capable of operating AT&T 103/113 or 202 Data Sets.	25-contact receptacle with threaded retaining spacers	25-contact receptacle
XA134-A YA229-A	74658300 74875760†	Compatible with AT&T 103F, 202R Data Sets or CDC telegraphic level converter	25-contact plug	25-contact receptacle
XA229-A†† YA234-A††	74874002 74876194†	Compatible with AT&T 202 Data Sets with reverse channel option	25-contact plug	25-contact receptacle
†Used with B version cabinets ††Special application				

TABLE 3-2. DU189-A/B, DU190-A/B, and DU191-A/B Cable Sets

Equipment Number	Part Number		
	ACLA Card†	Cable	
DU189-A	74872129	74657700	Compatible with AT&T 103/113 Data Sets
DU189-B ††	74872129	74875756	
DU190-A	74872129	74657900	Compatible with any RS-232-C interface capable of operating AT&T 103/113/203 Data Sets. Connects directly to a terminal without a modem.
DU190-B ††	74872129	74875846	
DU191-A	74872129	74658300	Compatible with AT&T 103F/202R Data Sets or CDC telegraphic level converter.
DU191-B ††	74872129	74875760	
† ACLA card, PN 74872129, is interchangeable with DU137-A ACLA, PN 74447001. †† Used with B version cabinet.			

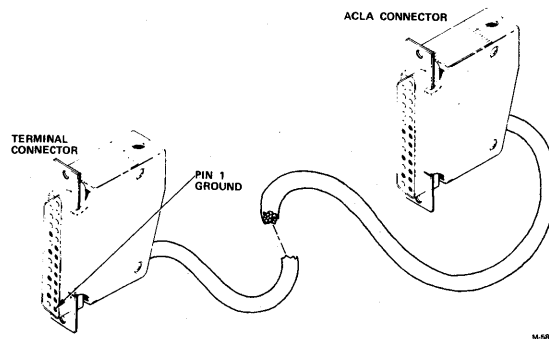


Figure 3-1. Typical ACLA Cable Connectors



TABLE 3-3. CABLE 10400-1  
SIGNALS AND PIN CONNECTIONS

CLA Connector		Signal Flow	Modem Pin No.
Description	Pin No.		
Protective Ground (AA)	1 <sup>†</sup>	↔	1
Transmitted Data (BA)	2	→	2
Received Data (BB)	3	←	3
Request to Send (CA)	4	→	4
Clear to Send (CB)	5	←	5
Data Set Ready (CC)	6	←	6
Signal Ground (AB)	7	↔	7
Rcvd Line Sig Det (CF)	8	←	8
Data Term. Ready (CD)	20	→	20
Ring Indicator (CE)	22	←	22
Terminal Busy (-)	25	→	25

<sup>†</sup>Cable shield terminated to connector shell and pin 1 at each end.

TABLE 3-5. CABLE 10400-3  
SIGNALS AND PIN CONNECTIONS

CLA Connector		Signal Flow	Modem Pin No.
Description	Pin No.		
Protective Ground (AA)	1 <sup>†</sup>	↔	1
Transmitted Data (BA)	2	→	2
Received Data (BB)	3	←	3
Request to Send (CA)	4	→	4
Clear to Send (CB)	5	←	5
Data Set Ready (CC)	6	←	6
Signal Ground (AB)	7	↔	7
Rcvd Line Sig Det (CF)	8	←	8
Originate Mode	11	→	11
Data Term. Ready (CD)	20	→	20

<sup>†</sup>Cable shield terminated to connector shell and pin 1 at each end.

TABLE 3-4. CABLE 10400-2  
SIGNALS AND PIN CONNECTIONS

CLA Connector		Signal Flow	Term. Pin No.
Description	Pin No.		
Protective Ground (AA)	1 <sup>†</sup>	↔	1
Transmitted Data (BA)	2	↘	2
Received Data (BB)	3	↙	3
Request to Send (CA)	4	→	8
Clear to Send (CB)	5	←	
Data Set Ready (CC)	6	←	20
Signal Ground (AB)	7	↔	7
Rcvd Line Sig Det (CF)	8	→	4
		→	5
Data Term. Ready (CD)	20	→	6

<sup>†</sup>Cable shield terminated to connector shell and pin 1 at each end.

Character rate is the bit per second (bps) rate divided by the unit code. Thus:

$$\text{character rate} = \frac{\text{bps}}{\text{unit code}}$$

where the unit code equals the number of bits per character, including any start, stop, or parity bits.

Each card cage is organized so that the leftmost card slot has the highest priority and each succeeding slot to the right has a lower operating priority than its neighbor on the left. Moreover, CLA1, as labeled on a card, has a higher priority than CLA2 on the same card.

If the system has more than one CLA card cage, the LM with the highest priority has its upper cable connected to the MLIA. The LMs are connected serially so that the LM with top priority has its lower cable joined to the upper connector of the LM next in operating priority. These priorities of interconnection are illustrated in figure 3-4.

#### CARD INSTALLATION

ACLA cards are installed in the selected CLA and LM card cage assembly as follows:

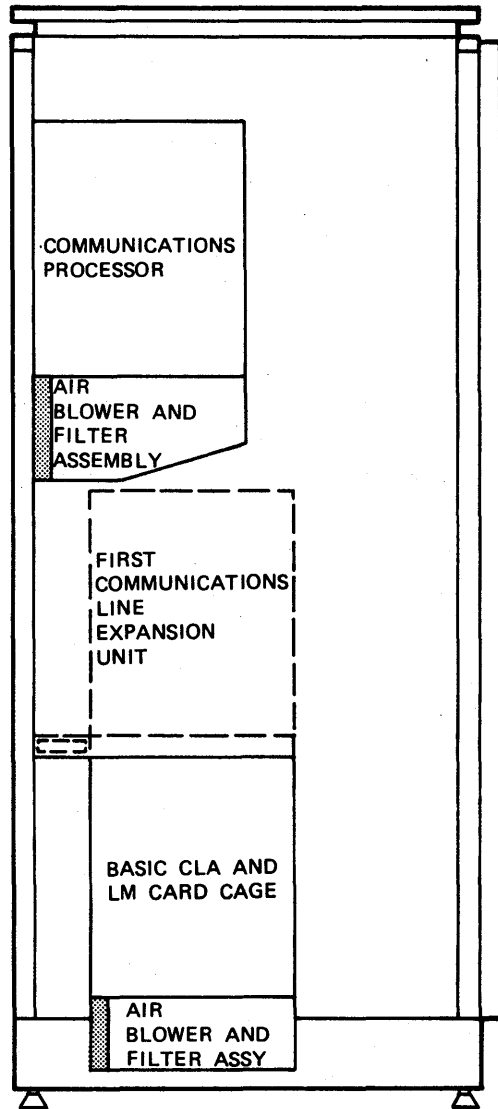
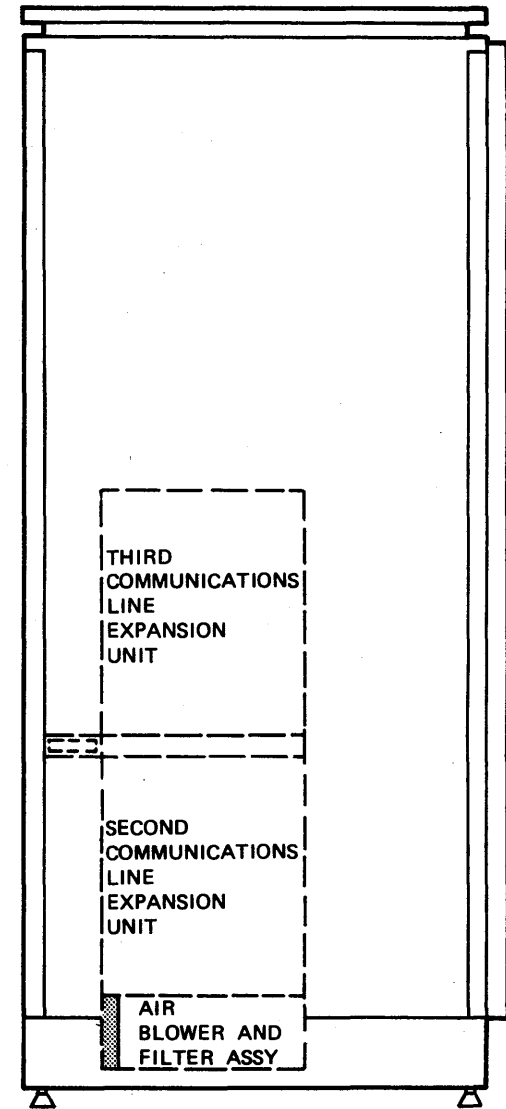
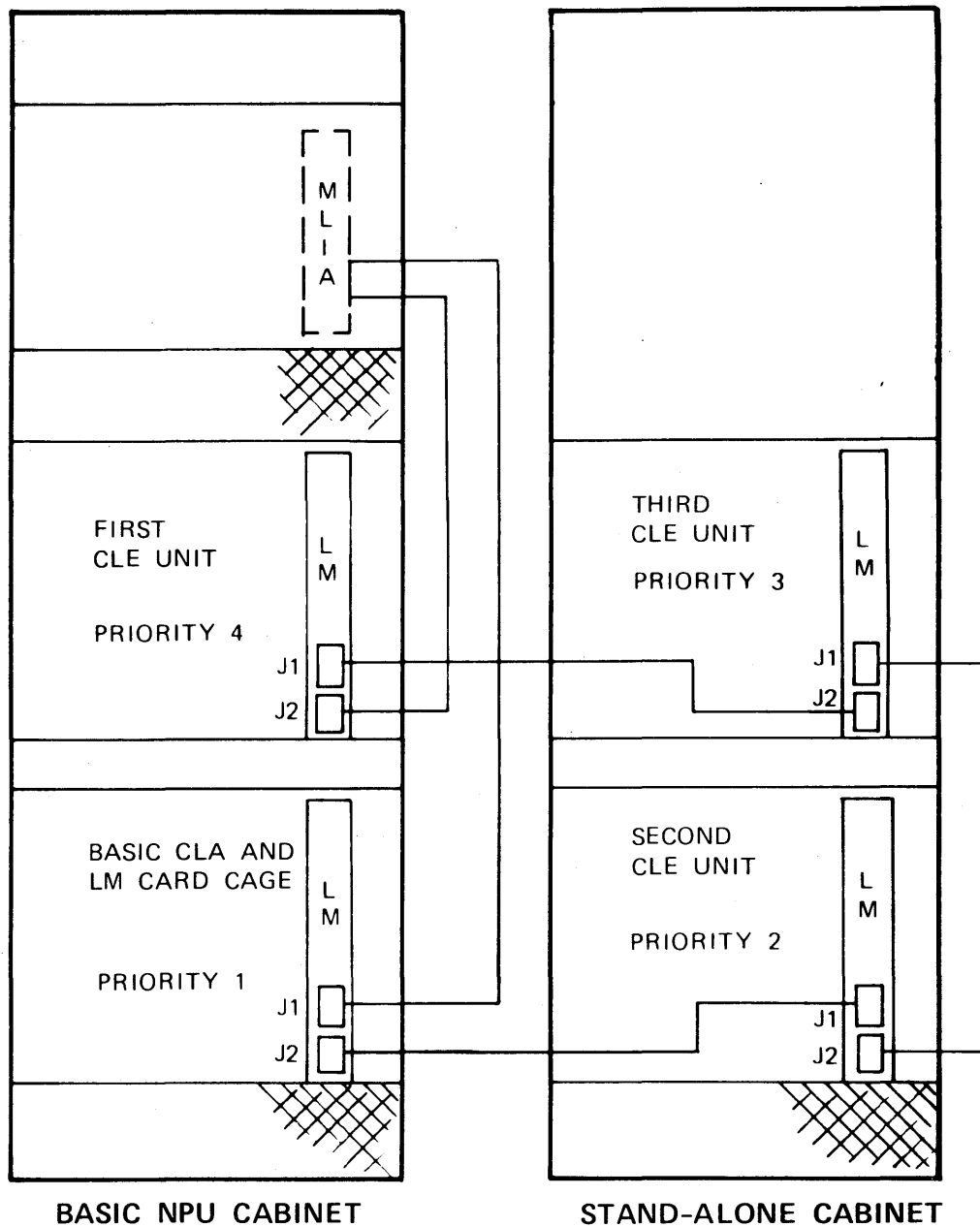


Figure 3-2. Component Location, Basic NPU Cabinet, Side View



M-579

Figure 3-3. Component Location, Stand-Alone Cabinet, Side View



M-578 A

LEGEND:

- CLA - COMMUNICATIONS LINE ADAPTER
- CLE - COMMUNICATIONS LINE EXPANSION
- LM - LOOP MULTIPLEXER

Figure 3-4. Priorities of Loop Multiplexer Interconnection

### CAUTION

Do not attempt to install an ACLA card in the communications processor card cage, located at the top of the basic cabinet. If attempted, the communications processor backplane will be damaged.

1. Set CLA1 and CLA2 enable/disable switches to OFF.
2. Position card vertically so that connector on card handle is on lower part and thumbwheel switches are on upper part.
3. If system is operating, set thumbwheel address switches on card handle to the proper hexadecimal address before installing ACLA card. Refer to Controls and Indicators, section 2, for method of setting an address.

### CAUTION

Ensure that 51-pin tab connectors on rear edge of card are properly aligned with their mating connectors on card cage backplane. Cross-slotting will destroy the backplane.

4. Insert rear edge of card into slotted guides, making certain that card is perfectly vertical and not cross-slotted.
5. Slide card into card cage, applying firm pressure on card handle to engage connectors on card with backplane connectors. All card handles will be flush with one another when cards are correctly installed.
6. Position blank slot covers in all card slots that are not used to assure that blower air flow is contained in card cage.
7. Set thumbwheel address switches on card handle. Refer to Controls and Indicators, section 2, for the method of setting an address.
8. Set enable switches to CLA1 and CLA2 (enable) positions.

### **CABLE INSTALLATION**

ACLA cables are installed as follows:

1. Select a cable that is compatible with terminal or modem to be

connected to ACLA. Refer to the cable identification.

2. Attach cable to terminal or modem, then attach the other end of cables to the ACLA card handle. All cables exit through bottom of cabinet. In the B version cabinets, cables are routed through cable grounding assembly located at bottom of cabinet. See figure 3-5. For ACLAs installed in upper expansion position of cabinets, route cables through cable tray provided on either side and then down along the side to bottom of cabinet.
3. Tighten down retaining screws on all cable connectors. Apply pressure to grounding clamp (B version) and tighten screws.
4. Lay out surplus length of cable in a long, flat loop under the raised floor or in enclosures; this manner of storage minimizes kinking of cables.
5. Place protection padding, if available, over stored loops of cable before installing flooring.

### **INITIAL CHECKOUT**

After all ACLA cards are installed and connected, diagnostic or system programs can be used to determine overall ACLA function.

If a fault is isolated to the ACLA, the following mechanical checks may be made:

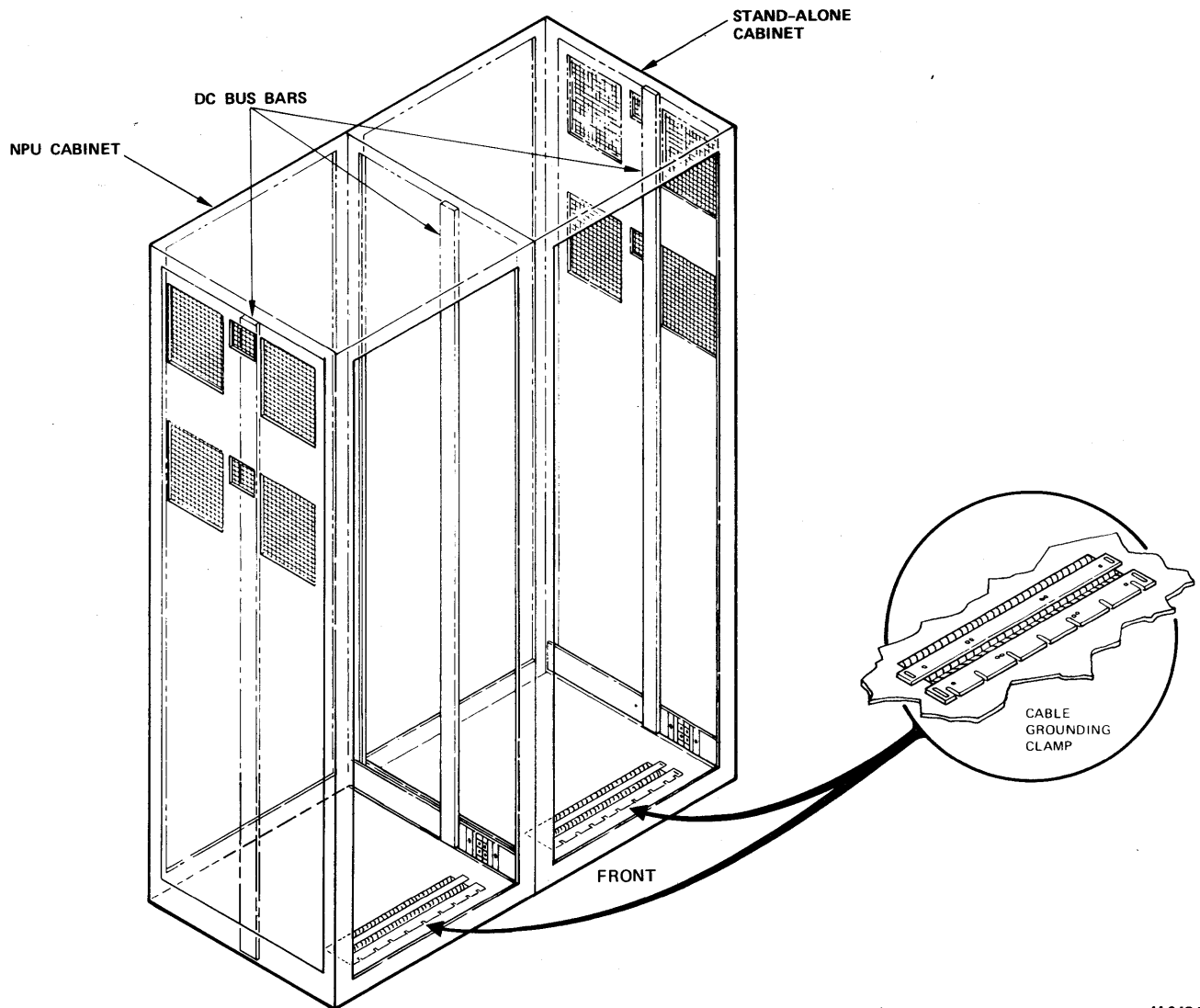
1. Check that enable switch of ACLA in question is in the on (up) position.
2. Check that ACLA cable connectors are firmly attached.
3. Ensure card is firmly placed in card slot.
4. Monitor LED indicators under ACLA card handle to ensure electrical power is on ACLA card.
5. If LED indicators are not lit on the ACLA card, check LED indicators on LM card handle to ensure power is available to card cage.

## CRATING AND SHIPPING

If ACLAs are to be shipped installed in a card cage assembly, the packaging must be designed to hold the ACLAs cards securely in place during shipment, as well as to provide protection for the exterior of the card cage.

If the ACLAs are to be shipped independently, they must be packaged in well-padded cardboard containers to protect the integrated circuits, discrete components, switches and printed circuit foil from damage during shipment.

Packaging should conform to the requirements of CDC Procedure 13-002, Packaging and Material Handling Documentation.



M-348 B

Figure 3-5. Typical Grounding Arrangement for B Version NPU Cabinets



## INTRODUCTION

The ACLA logic circuit card is functionally divided into two ACLAs. Certain parts of the logic are used by both ACLAs. For the purpose of this discussion, the logic of only one ACLA (ACLAL) is detailed; the other ACLA (ACLAL2) is mentioned only in discussing certain circuits shared by both ACLAs. ACLAL is subdivided into four major sections: output, input, speed generator, and modem interface. Refer to the logic diagrams in section 5 to aid in understanding the following discussion.

## OUTPUT SECTION

The output section of the ACLA receives commands and data from the processor via the loop multiplexer (LM) output bus. The information in the commands controls both the output and input sections. Data received by the ACLA in parallel is shifted out serially onto the communications line.

## BUS BUFFERS

All signals originating at the LM are buffered by the ACLA so that no more than one transistor-transistor-logic (TTL) load is created by the ACLA. Inverting and non-inverting elements are used to perform this function. For the most part, these buffered signals are used by both ACLAs (primarily the bus signals). A timing diagram for the LM to ACLA interface is shown in figure 4-1.

## SELECT OUTPUT

Commands and/or data must always be preceded by an address. Each ACLA has a unique 8-bit address which is selectable by means of two hexadecimal thumbwheel switches located on the card handle. On the 2-digit switch, the upper digit is the most significant digit (refer to section 2). The LM places the address, the output-select (OSL) signal, and the output-strobe (OST) signal on the bus when it has information for the ACLA. This address is compared with the preset address by two 4-bit comparators. The comparators are cascaded with OSL and applied to the J input of the select-output (SELO) flip-flop.

### NOTE

In the descriptions and diagrams in this section, all mnemonics for signals that are active in the low condition are followed by an asterisk. Those shown without an asterisk are active in the high condition.

On the rising edge of OSTA\*, the SELO flip-flop is clocked to a set condition. The ACLA output is thus selected and is prepared to accept commands or data until it is deselected. When the LM has provided all information in a particular line frame to the ACLA, it sets output-select-clear\* (OSC\*) to a logic 1. This signal is applied to the  $\bar{K}$  input of the SELO flip-flop. On the rising edge of output-strobe OSTA\*, the SELO flip-flop is clocked to a reset condition, deselecting the ACLA output section.

## FORMAT DECODE

Output format bits 2 and 3 (OF2, OF3) are monitored by a 2-to-4 decoder. Only two decoded formats are used by the ACLA, namely, output-data cell (ODATA) and output-supervision (OSUP) cell. If bits OF2 and OF3 are both logic 0, ODATA is decoded, thereby enabling the acceptance by the ACLA of the data character which is present on the output bus (IO1 thru IO8). OSUP is decoded when there is a supervision format present (OF2 is logic 0 and OF3 is logic 1). OSUP enables the command counter. The format decoder is used by both ACLAL and ACLAL2 and is enabled only if either SELO1 or SELO2 is active.

## COMMAND COUNTER

Since all commands sent to the ACLA have the same format code, the ACLA must keep track of the sequence of commands so that it can route them to the proper section of the logic. The command counter is responsible for this task. It is implemented by using a 4-bit register as a shift register with a single true bit which is shifted on each output strobe (OST).

The command counter is enabled only when OSUP is decoded by the format decoder. This signal is applied to the reset of the command counter so that for any format code other than supervision the command counter is disabled.

When the first command is sent by the processor, OSUP is decoded, enabling the command counter. The-Q<sub>1</sub> from the first stage of the counter is high and is gated with OSUP to produce the signal COM1, which is used to enable the storage of the first command word. On the rising edge of OST\*, the counter is advanced to COM2, and to COM3 and COM4 on subsequent edges. The clock to the counter is produced by the ORing of OST1 and OST2. COM2, 3, and 4 enable the storage of command words 2, 3, and 4, respectively. The command counter is used by both ACLAs.

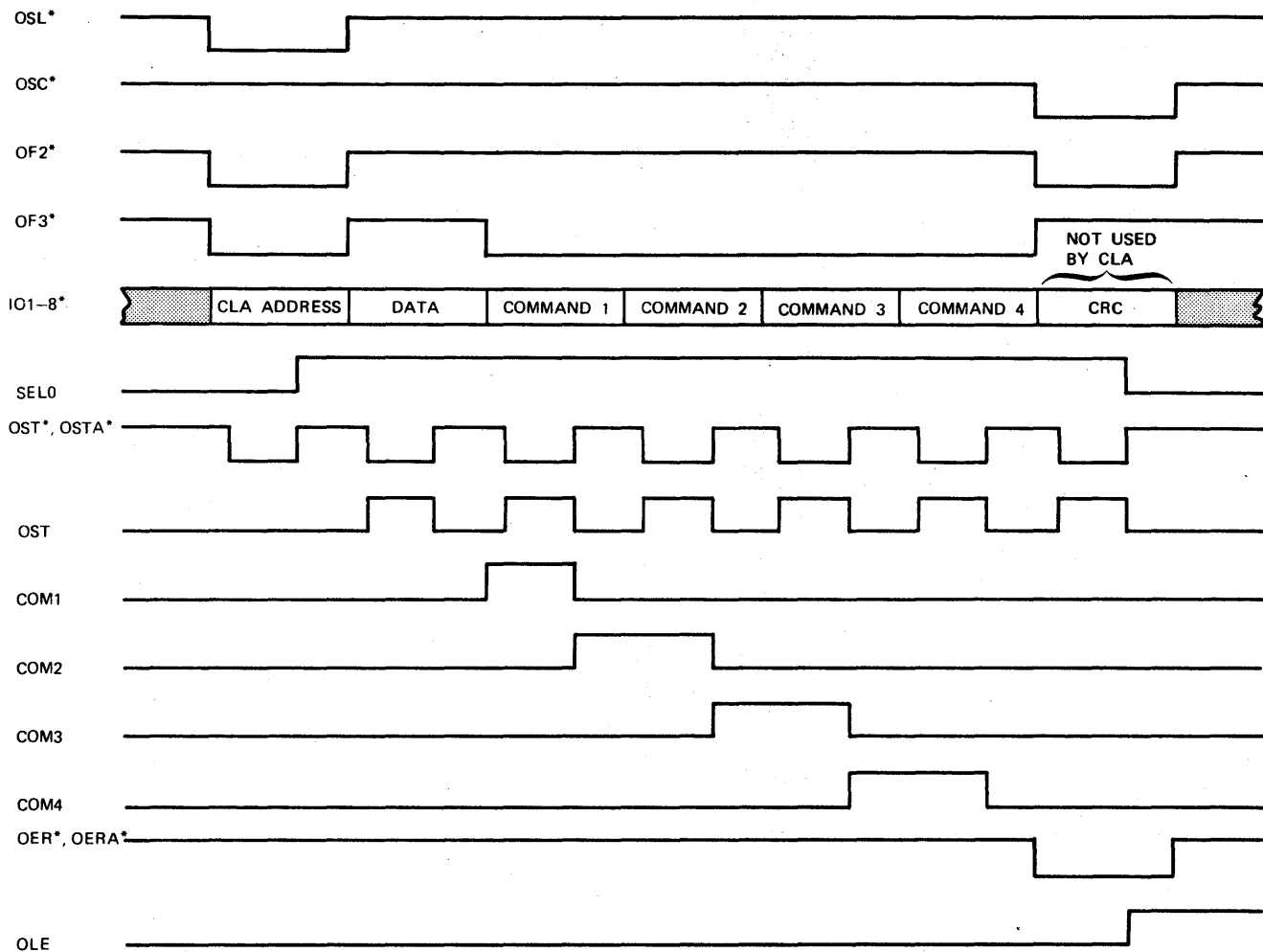


Figure 4-1. Loop Multiplexer-to-ACLA Interface and Command Timing Diagram

### COMMAND REGISTERS

All commands are strobed into their associated registers with either COM1, COM2, COM3, or COM4, and OST. The command 1 register stores all of the modem control signals plus output-on (OON) and input-on (ION). It is implemented with two 4-bit parallel-load shift registers. COM1 enables parallel-entry, and on the falling edge of OST the registers are loaded with the information output IO1 thru IO8 bits present at their inputs. Break, input-status-on (ISON), receiver shift register, and transmitter shift register (RSR1, RSR2, TSR1, and TSR2) of the second command are stored in the same type of register in a like manner with COM2 and on the falling edge of OST. Also, the echo and loop-internal-test (LIT) commands of command 3 and all the speed generator divider bits of command 4 are stored in the same manner on the falling edge of OST and COM3 and COM4, respectively. The PSET, PI, COL, CO1, CO2 and SB (stop bit) commands of command 3 are strobed into the control register of the UART with the rising edge of OST if COM3 is active. The data-line-monitor (DLM) and input-status-

report (ISR) commands of command 2 are non-stored commands having an active duration equal to the pulse width of OST (300 nanoseconds with a 20-mHz loop).

### UNIVERSAL ASYNCHRONOUS RECEIVER/TRANSMITTER

The universal asynchronous receiver/transmitter (UART), a large-scale integration (LSI) package, is the main functional element in the ACLA. The transmitter section converts parallel data into a serial word which contains the data along with start, parity, and stop bits. The receiver section converts a serial word with start, parity, and stop bits into parallel data and verifies proper code transmission by checking the receipt of a valid stop bit and proper parity if selected for parity.

The UART is programmable as to word length (5, 6, 7 or 8 bits), parity (even, odd, or parity inhibited) and the number of stop bits (normally 1 or 2 bits, but 1-1/2 bits with a 5-unit code). The transmitter and receiver share the control register and thus are configured in the same manner.



The control register is loaded during command word 2 with IO1 thru IO8 bits present on its inputs. These bits are strobed in with the control register load.

### Transmitter

Figure 4-2 is a block diagram of the transmitter portion of the UART, and figure 4-3 is a timing diagram. Data can be loaded into the transmitter holding register (THR) whenever the transmitter holding register empty (THRE) is at a logic 1, indicating that the THR is empty. The data is loaded in by strobing the transmitter holding register load (THRL) line to 'low'. Data is transferred automatically to the transmitter shift register (TSR) as soon as the register becomes empty. The desired start, stop and parity bits are then added to this data, and serial transmission is initiated and is seen at transmit-data lines. This process is then repeated for each subsequent character as it becomes available. The transmitter requires a clock (TCK) that is a frequency 16 times the desired baud rate. The master clear clears the transmitter to an idle state whenever this line is strobed to a logic 1. It resets the TSR and the TD and THRE lines to a high level.

### Receiver

Figures 4-4 and 4-5 show receiver block and timing diagrams, respectively. Serial asynchronous data is provided to the receive data (RD) input. The control logic searches for a logic 1-to-0 transition while in the idle state. If the input is still a logic 0 at the bit center, the signal is assumed to be a valid start bit, and the control logic is bit-synchronized so as to find the center of all subsequent data and stop bits. The receiver is then under the control of the control register.

The serial character present on the receive-data line is shifted into the receiver shift register. When the timing logic determines that the last stop bit is present, the character is transferred to the receiver holding register (RHR), and the input-buffer-full (IBF) line is set to a logic 1, thus indicating that a character is present on bits DAT1 thru DAT8. When this character is picked up, the reset-input-buffer-full (RIBF) line is pulsed low by external logic to reset the IBF line. If the IBF line is not reset before another character is assembled and transferred to the RHR, the data-transfer-overflow status (DTOS) line is set to a logic 1. This line remains logic 1 until the next character is loaded into the receiver holding register.

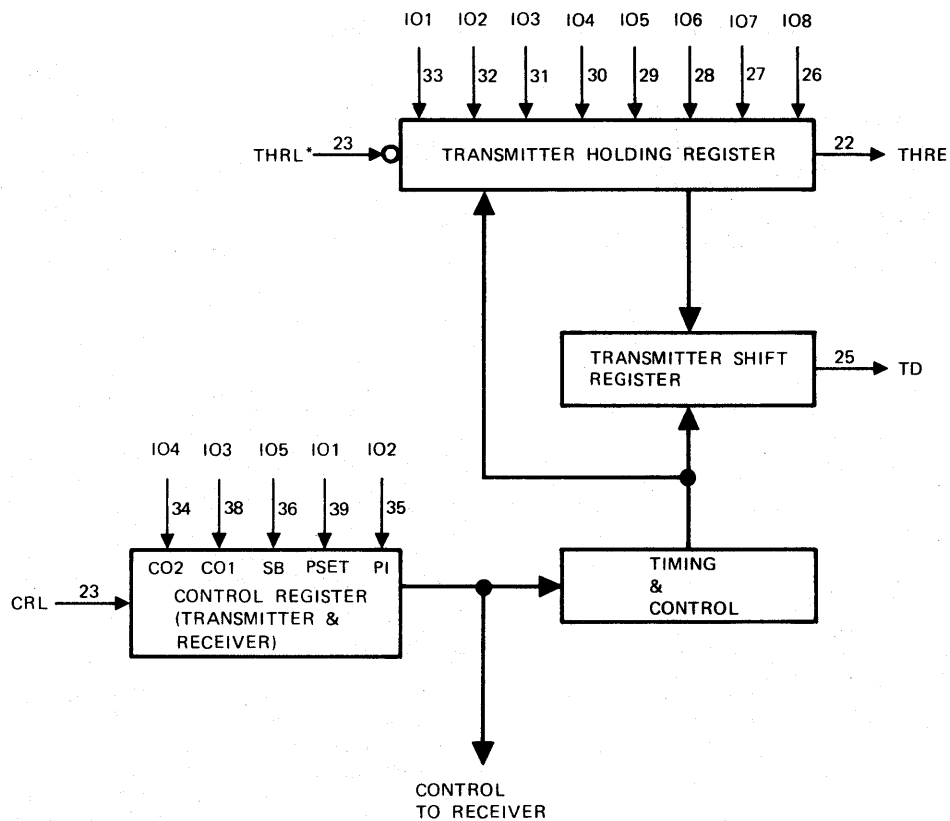


Figure 4-2. UART Transmitter Block Diagram

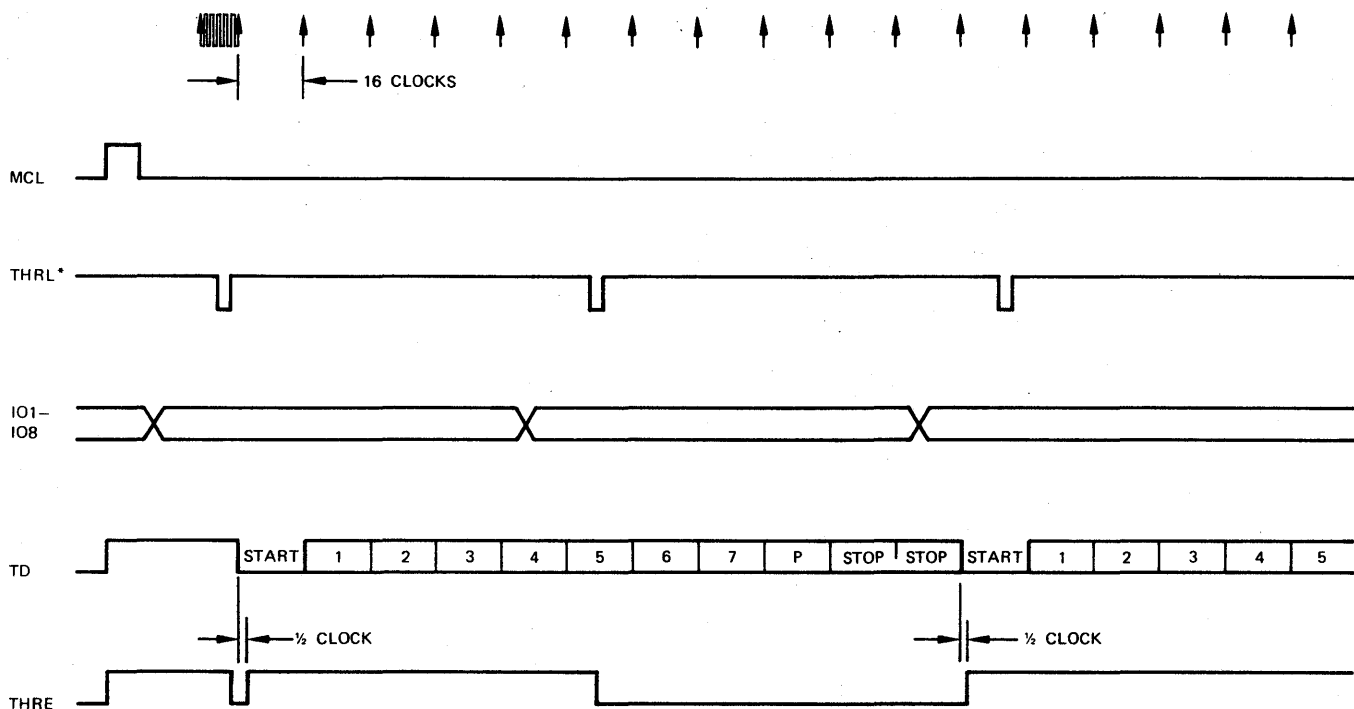


Figure 4-3. UART Transmitter Timing Diagram

If the UART is programmed to detect parity errors (even or odd) and a character is received with a parity error, the parity-error-status line is set to a logic 1 at the nominal center of the last stop bit. This signal is held until the next character is transferred to the RHR.

If the first stop bit is not a marking condition, the framing-error-status line (FES) is set to a logic 1 and held until the next character is transferred to the RHR. If the cause of FES is the receipt of a break character (null character without stop bits), the receiver is in a locked-up state so that the IBF does not set to a logic 1 until at least one character time has elapsed after a valid stop bit has been detected.

The timing for all receiver functions is obtained from the external receive clock (RCK) whose frequency is 16 times the desired baud rate. When the master clear line is strobed to a logic 1, the UART is set to an idle state. This resets TSR, RSR, RHR, FES, DTOS, PES and IBF, and sets TD and THRE.

#### OUTPUT DATA DEMAND

When the ACLA is able to accept a character from the LM, it sets the output-data-demand (ODD) flip-flop, which in turn causes IAV

to activate. The ACLA address with the ODD flag bit set is picked up by the LM when the ACLA's input section is selected. The ODD flip-flop is reset during this selection. The processor, responding to the ODD, provides a data character to the output section of the ACLA via the LM.

The setting of the ODD flip-flop is controlled by four signals: ODD, THRE, restraint-detector\* (RSD\*), and clear-to-send status (CTSS). These signals are ANDed together to produce the clock for the ODD flip-flop. Since the D input is pulled up, the ODD flip-flop is set whenever three of the signals are logic 1 and the fourth makes a logic 0-to-1 transition. The resetting of the ODD flip-flop is discussed in the input section. Normally THRE triggers the ODD flip-flop.

#### OUTPUT DATA

After receipt of an ODD from the ACLA, the processor sends a character via the LM to the output section of the ACLA. SEL0 sets to 1 when the ACLA's address is detected by the ACLA. After the address is presented, the next word may be a data character, in which case the data format code is detected by the format decoder, making ODATA a logic 1. The data character present on bits IO1 thru IO8 is loaded into the transmitter holding register of the UART with

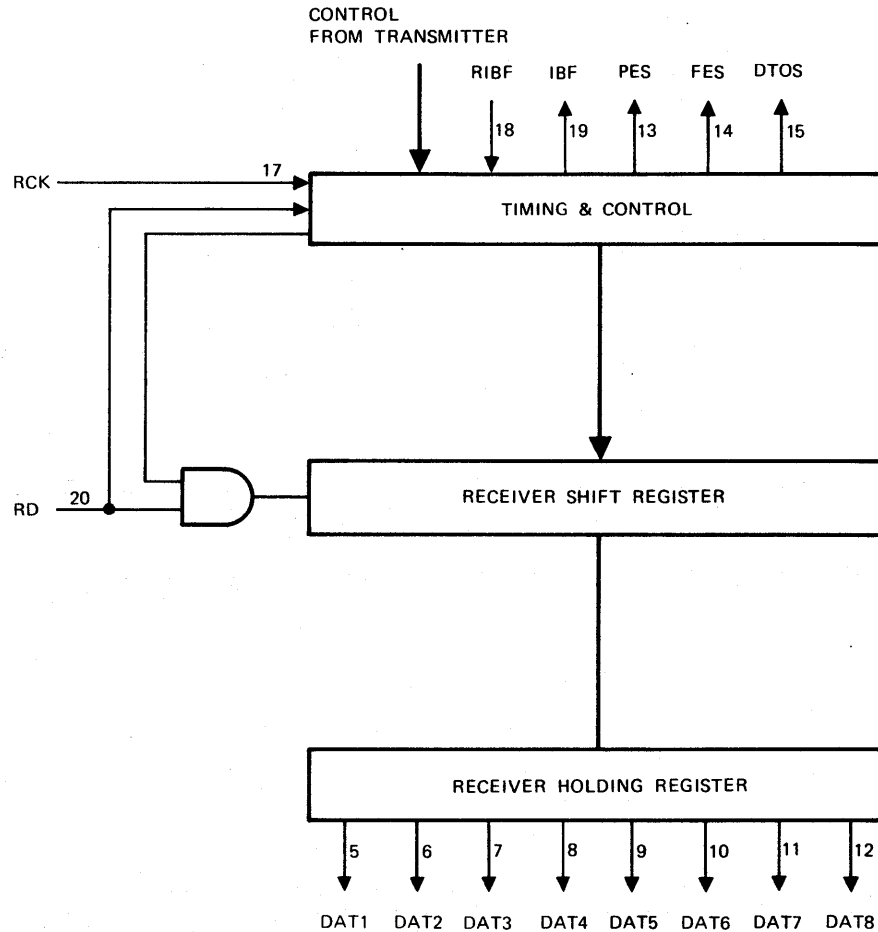


Figure 4-4. UART Receiver Block Diagram

the THRL\* pulse that is produced by the NANDing of OST and ODATA.

The loading of the character into the transmitter holding register forces the THRE signal of the UART to logic 0, indicating that the transmitter holding register is no longer empty. When the character is transferred to the transmitter register, the THRE signal again goes to logic 1, which in turn sets the ODD flip-flop.

If the transmitter holding register is not loaded with a character before the center of the last bit of the character being transmitted from the transmitter shift register, the transmit-data line continues marking.

Transmit data, which is the output from the transmitter shift register of the UART, is fed to the modem interface for level conversion and transmission to the modem or terminal.

When the processor wishes to output a break on the send-data line, it must set the break bit in command word 2 to a logic 1.

This causes the SD line to be clamped to a spacing condition.

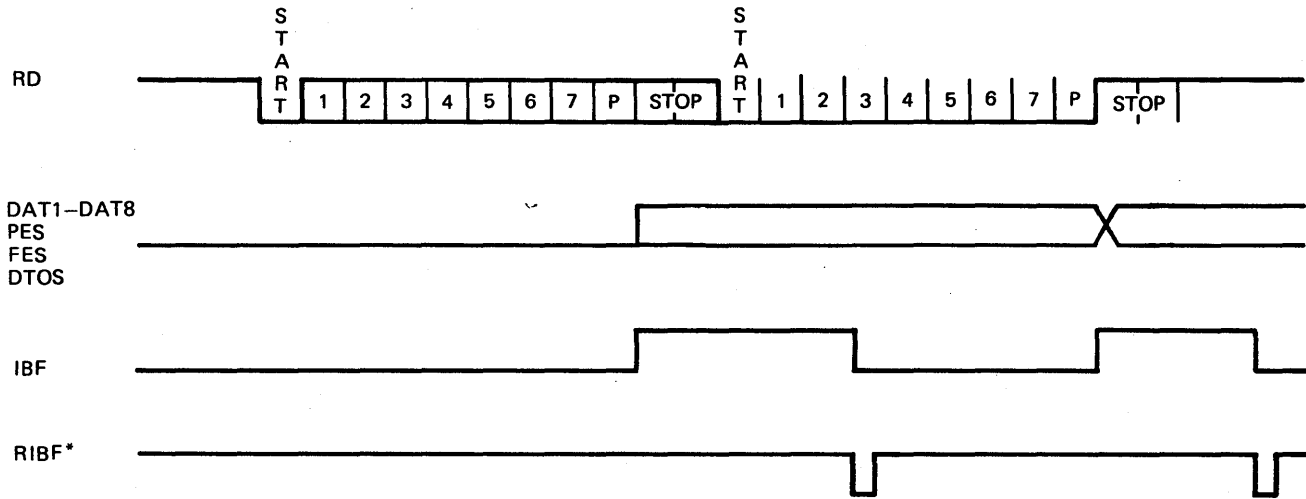
When an echo command is received from the processor, the receive-data signal is routed back to the send-data signal through the use of an AND-OR-Invert gate.

#### OUTPUT LOOP ERROR

Whenever the LM detects an error on the output loop while presenting information to the ACLA, it informs the ACLA of this condition via the output error line (a bussed signal). The output error signal is coincidental with IO1 thru IO8.

#### INPUT SECTION

The input section of the ACLA is responsible for the transference of data and the various statuses to the processor via the LM. Information is transferred in 11-bit parallel bytes (3 format bits and 8 input information bits). It performs the serial-to-parallel conversion of data incoming from



DETAIL:

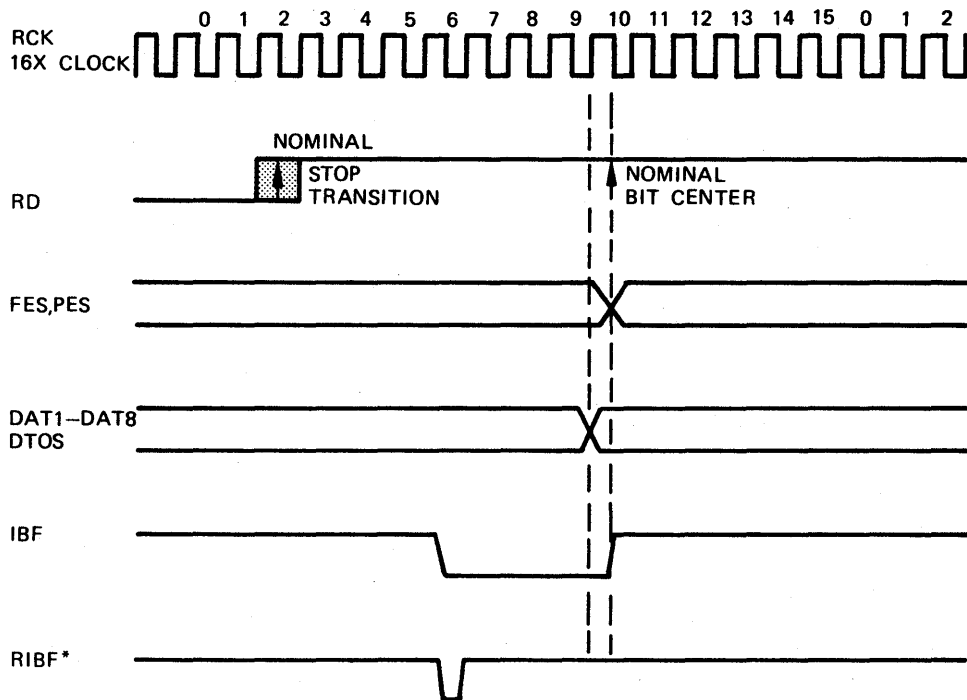


Figure 4-5. UART Receiver Timing Diagram

a modem or terminal device. The input section receives commands from the output section to program its characteristics.

### INPUT AVAILABLE

The IA signal is activated by the ACLA whenever it has either output-data-demand, data, or status to report to the processor. The LM acts on this signal so that it selects the input section of the ACLA when it sees the next available input loop train.

The IA signal is derived by ORing status-available\*, output-data-demand\*, and data-available, then NANDing this result with the enable switch so that IA can be active only if the enable switch is in the on position. In the off position, the input to the NAND gate is at a low level, thus inhibiting the IA signal.

This enable switch should be in the off position when the ACLA card is inserted in an operating system and only turned on after the selection of the proper address. It should also be off when changing the address.

### INPUT CONTROL LOGIC

The input control logic produces all signals which control the ACLA-to-LM interface. This logic is used by both ACLA1 and ACLA2 on a shared basis and is active only when the input section of either ACLA is selected by the loop multiplexer. It consists of a 2-bit input control states register, a states decoder, a holding register, a multiplexer and associated control logic. A diagram of the input control states is shown in figure 4-6. Timing diagrams of the input

control (IC) and related signals are shown in figures 4-7 thru 4-10.

The LM selects the input section of ACLA by dropping input select (IS) to a logic 1 and providing input strobes (IST\*). On each falling transition of IST\*, the ACLA places information cells (address, data, or supervision) on the LM input bus. The transference continues until the input control logic activates the input-end (IEN) signal on the bus, indicating the last cell. The LM discontinues ISTs and raises IS\* after detecting the IEN\* signal. At that time the input control logic is again in an idle state.

Assume for the following discussion that ODD1\*, DAV1 (data available), and SAV1\* (status available) are logic 1. When input select (IS1\*) goes to a logic 1, select input (SEL11\*) is activated if IER is logic 0. SEL11\* is ORed with SEL12\* to produce SEL1, which in turn releases the set of the input control register. In the idle state, SEL1 is logic 0, holding input control (IC1 and IC2) in a set condition. ODD1\*, ODD2\*, DAV1 (data available), DAV2, SAV1\* (status available) and SAV2\* are applied to the input of a D-type holding register that is loaded on the leading edge of SEL1. The outputs of this register are connected with a two-to-one multiplexer which is controlled by SEL12\*. In this case, SEL12\* is high since SEL11\* is active (SEL11\* and SEL12\* are mutually exclusive). ODD1\*, DAV1 and SAV1\* are transformed on the outputs of the two-to-one multiplexer to ODD\*, DAV, and SAV\*, respectively. These signals are used to determine the state changes as shown in the states diagram. See figure 4-6.

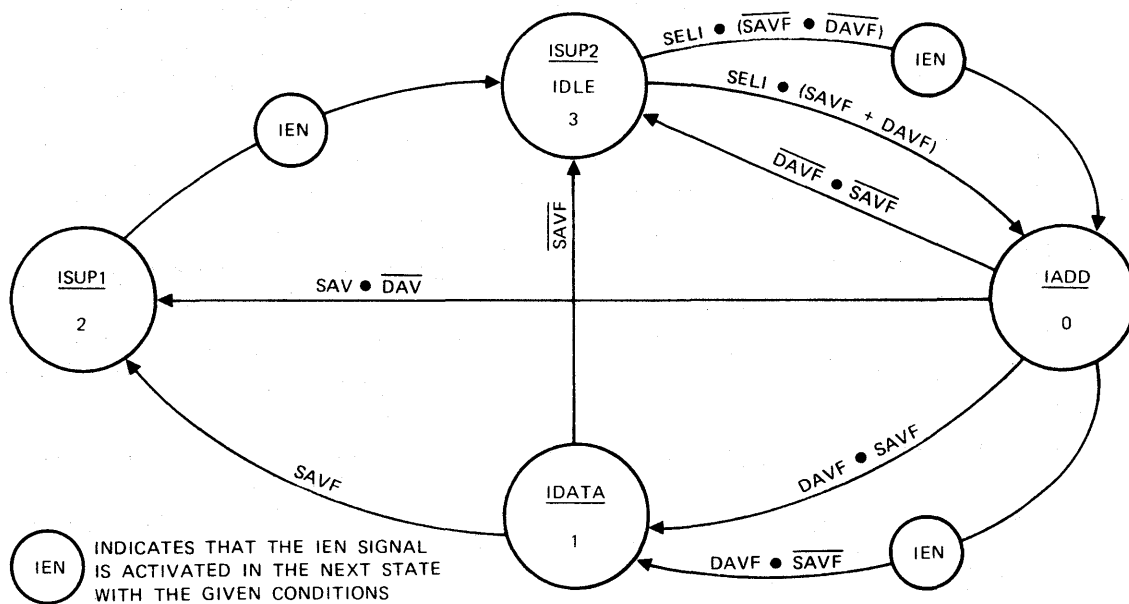


Figure 4-6. Input Control (IC2-IC1) States Diagram

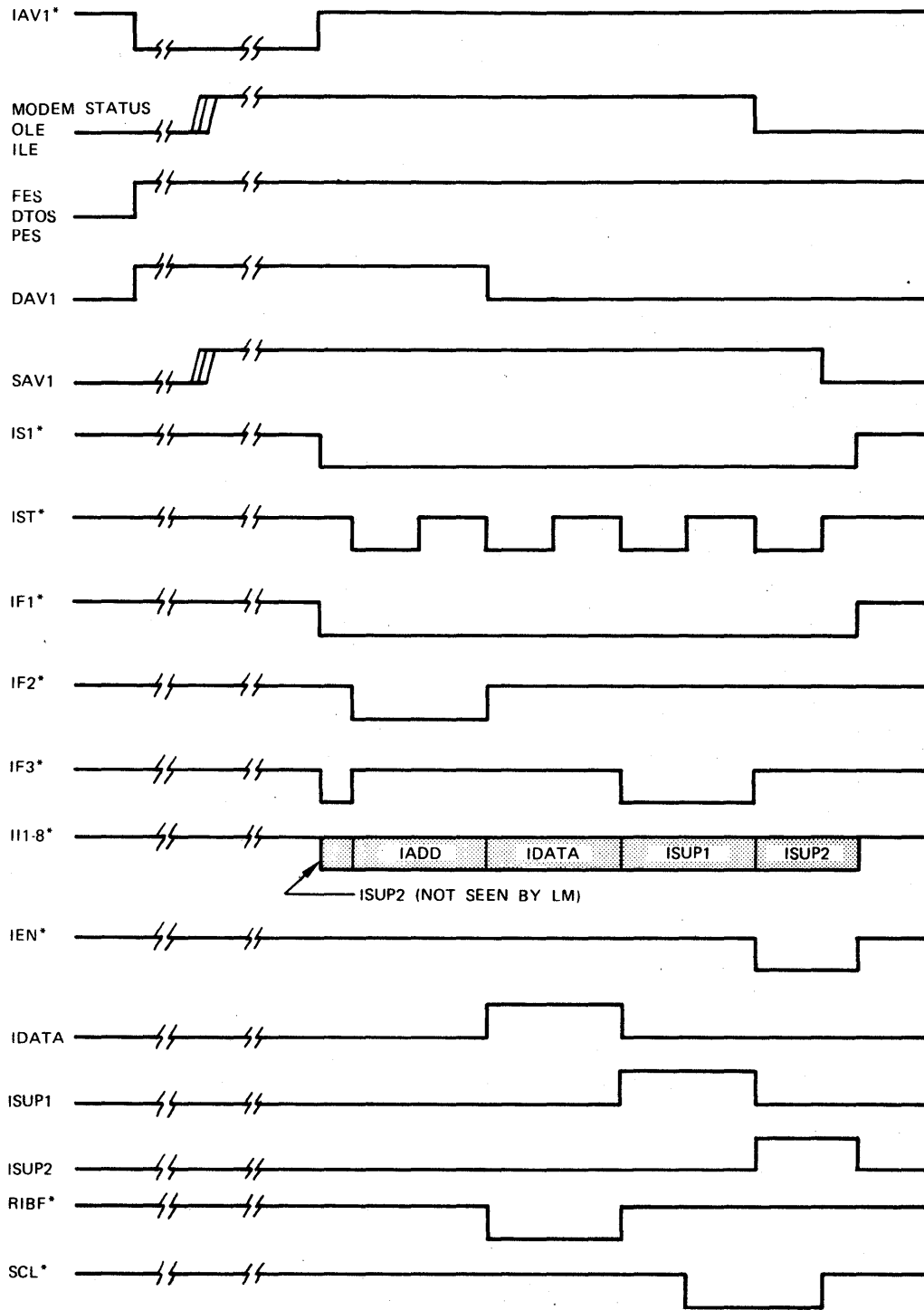


Figure 4-7. Input Control (ODD, DATA, SUPV) Timing Diagram

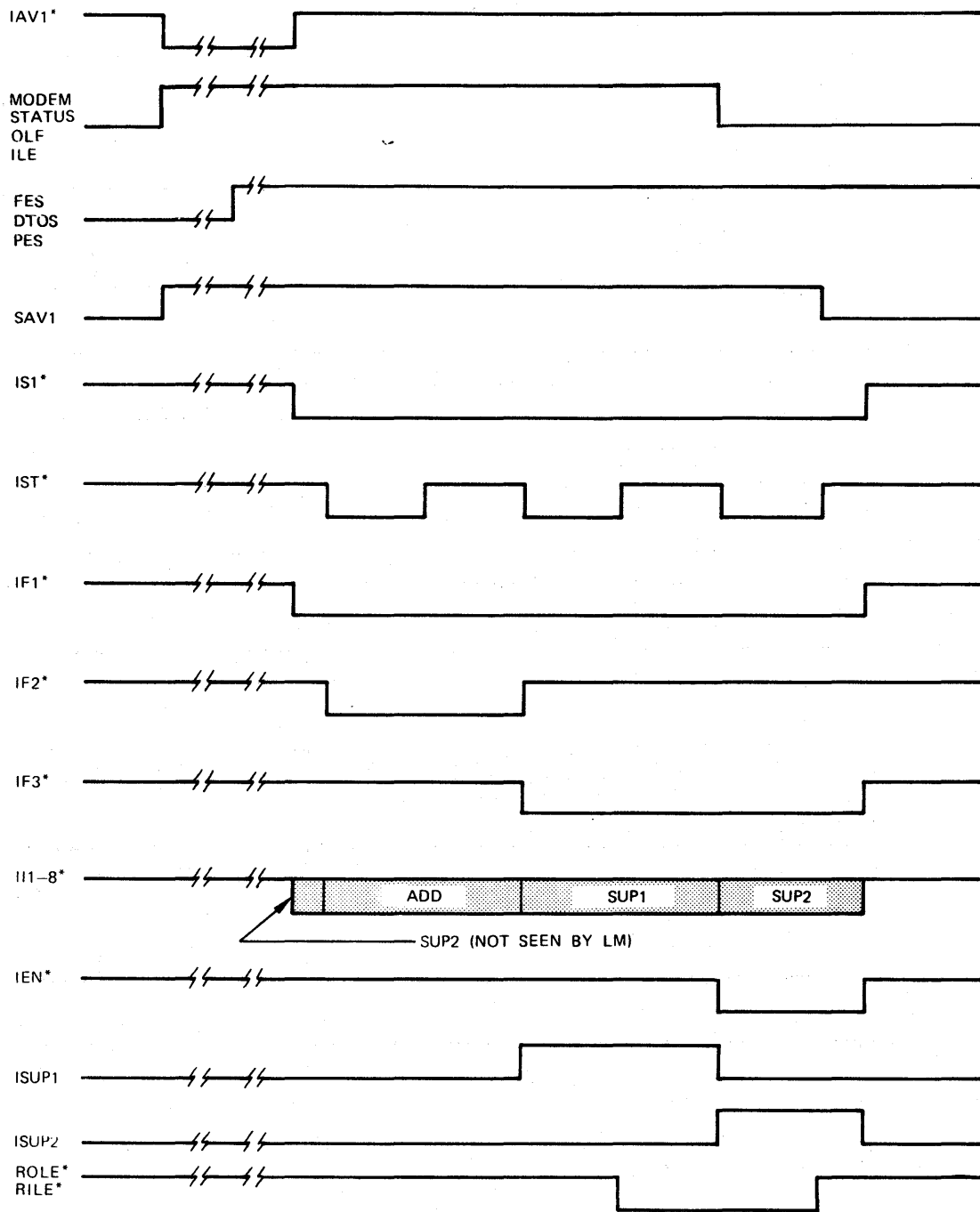


Figure 4-8. Input Control (SUPV only) Timing Diagram

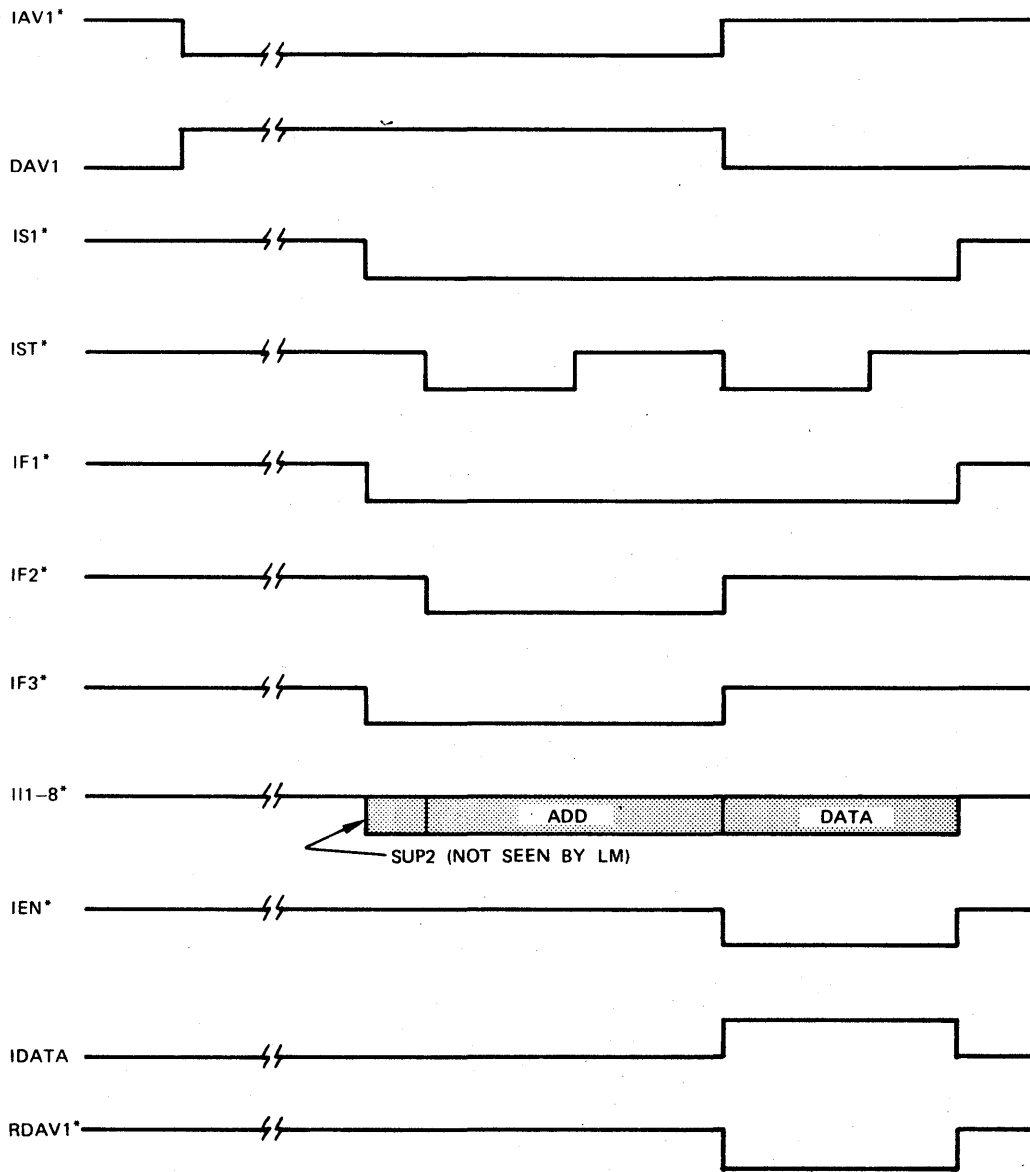


Figure 4-9. Input Control (DATA only) Timing Diagram



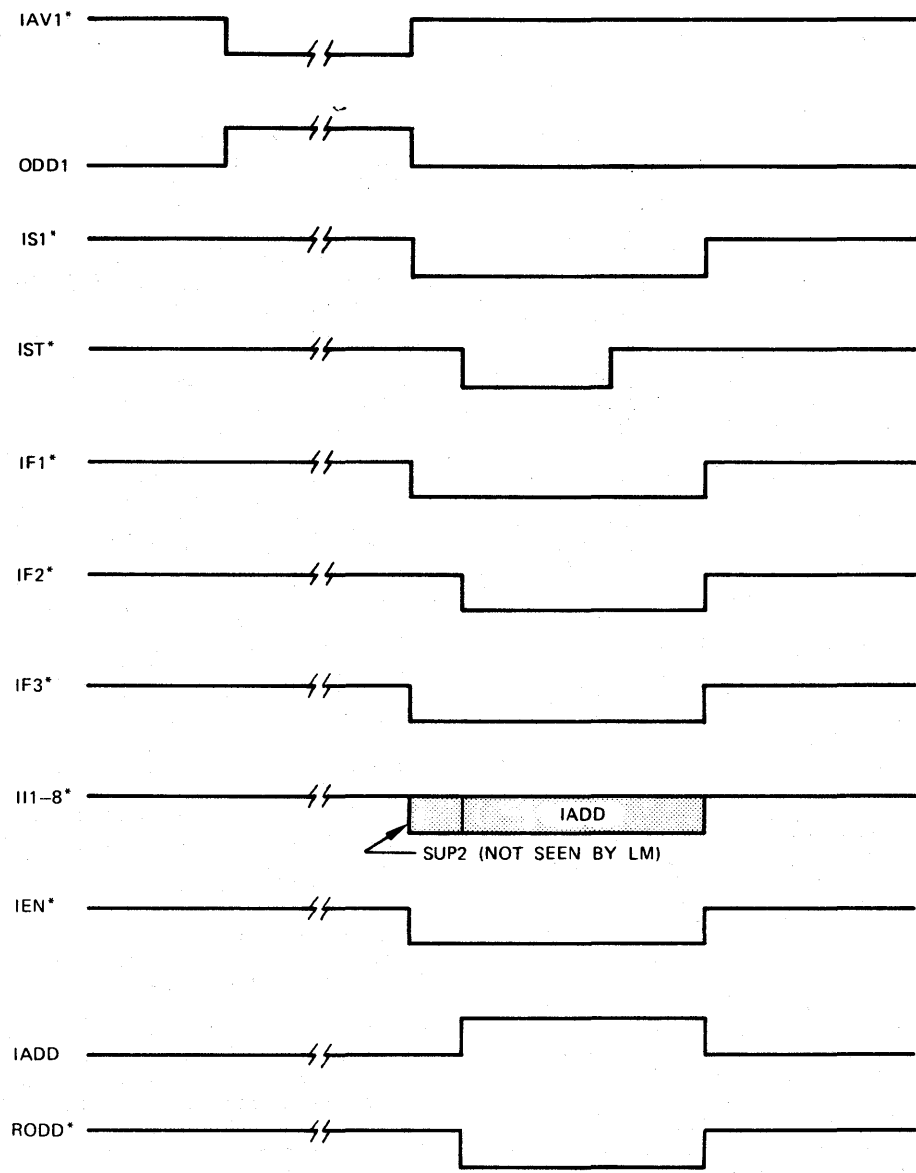


Figure 4-10. Input Control (ODD only) Timing Diagram

## INPUT CONTROL STATES

The input control states are defined as follows:

State 0 is IADD, i.e., ACLA address with or without ODD bit is placed on the input bus;

state 1 is IDATA, i.e., data serially received from the communications line is placed in parallel on the input bus;

state 2 is ISUP1, i.e., the first status word is placed on the input bus;

and state 3 is ISUP2, i.e., the second status word is placed on the input bus.

## INPUT MULTIPLEXER

The input multiplexer is used by both ACLA1 and ACLA2. It provides a 3-state interface with the LM input bus for the signals of IF2\*, IF3\* (input format) and I11\* thru I18\*. IF1\* is activated by an open collector gate whenever SEL1 is a logic 1.

The input multiplexer is controlled by the signals SELI2\*, SELI\*, IC1 and IC2 of the input control logic. Eight 8-to-1 multiplexer integrated circuits make up the input multiplexer, the outputs of which are connected to the LM input bus lines of I11 thru I18. Address, data, and supervision bits from ACLA1 and ACLA2 are applied to the respective inputs of each multiplexer in such a way that the proper word is selected for transfer to the LM.

The signals SELI2\*, IC1, and IC2 dictate which of the possible words are selected. SELI\* enables the 3-state outputs of the multiplexers, i.e., if IC1 is logic 1, IC2 is logic 0 and SELI2 is logic 0, then receive data bits DAT1 thru DAT8 of ACLA1 appear at I11 thru I18, respectively.

Input format bits 2 and 3 (IF2, IF3) are produced by the outputs of two 4-to-1, 3-state multiplexers. These multiplexers are controlled by the signals of SELI\*, IC1 and IC2. SELI\* enables the 3-state outputs, while IC1 and IC2 place the proper format code on the bus. All of the multiplexed inputs are "hard-wired" except the ODD flag bit which is connected to ODD\*.

## INPUT LOOP ERROR

Whenever the multiplex loop interface adapter detects an input loop error during a loop batch, it notifies the LM via a restart loop end. If the ACLA used the last input loop batch, the LM activates the IER line and the IS line and provides one IST. When both IER and IS are logic 1, a low level is applied to the D input of the input loop error status (ILES) flip-flop. On the trailing edge of IST, the ILES flip-flop is clocked, thus storing the error

condition. The ILES\* signal sets the status R/W (if input-status-on is logic 1), which in turn activates the input available. ILES is picked up by the LM in ISUP1. The ILES flip-flop is reset when the status clear signal makes a logic 0-to-1 transition. The SCL signal is produced by a flip-flop which is set by the trailing edge of IST while in the input control state of ISUP1 and reset on the next trailing edge of IST.

## CHARACTER ASSEMBLY

Before the ACLA can receive data from the communications line and transfer it to the LM, it must be programmed via the ACLA output section. It must be programmed to the proper character length and even or odd parity and programmed to enable the input section (ION is a logic 1).

After level conversion by the modem interface section, the receive-data signal is fed to the receive section of the UART. The UART monitors this signal for a start bit which begins the processing of the character as shown in the discussion of the UART. In the center of the first stop bit, the UART transfers the character to its receive holding register so that the character is present on DAT1 thru DAT8 and raises its input-buffer-full flag (IBF). ION is NANDed with IBF to activate input available. IBF is reset with reset-input-buffer-full (RIBF\*), which is produced by the NANDing of IBF, SELI, IC1, and IC2.

The resetting occurs during the time that the LM picks up the data word. The preceding is the normal resetting procedure for IBF, but it is also reset when ION goes from the 0-to-1 condition by the NANDing of ION\*, IO7, COM1, and OST.

When assembling characters, if IBF is not reset by the time that another character is transferred to the receive holding register, the data-transfer-overflow status (DTOS) flag sets to a logic 1. This signal is applied to the input multiplexer and accessed by the LM in the first status word. DTOS is reset on the first end of the next received character after the resetting of IBF. End of character is in the center of the first stop bit of the received character.

If the received data is in a spacing condition during the first stop bit of a received character, the framing error status (FES) flag of the UART sets to a logic 1 at the bit center of that stop bit. FES and IBF applied to an A-O-I gate set the status R/W, if ISON is logic 1. ISON also allows DAV to activate, which in turn allows data and status to be reported to the LM. This occurs regardless of the state of ION. This function facilitates the detection of a breaking condition: FES, reported to the LM in the same line frame as a data character of spacing, is interpreted by the

software as a character time of break (constant spacing).

Following the detection of FES, the UART loses character timing and cannot set IBF until it sees a space-to-mark transition on the RD line (the beginning of a stop bit).

If the RD line is in a break condition, the processor can determine the length of the break by issuing a data-line-monitor (DLM) command to the ACLA. DLM\* is produced by the NANDING of IO4, COM2 and OST, and then ORED with the RD line to cause a short marking pulse on the RD line, and forces the receive clock to a high state. This results in the monitoring of the RD line by the UART for one more character time. If a break condition still exists, the ACLA reports a data character of all spacing and FES. In this manner, the processor may periodically interrogate the ACLA to determine the condition of the RD line.

## MODEM INTERFACE SECTION

The modem interface provides the level converting receivers and drivers to interface the RS-232-C signals (+25V max) of the modem to the logic used in the ACLA. This section also provides the logic necessary to monitor the state of certain signals received from the modem.

The RS-232-C signals are considered in the marking, off, or logic 1 condition when the voltage level is more negative than minus 3 volts with respect to signal ground. The signals are considered in the spacing, on, or logic 0 condition when the voltage is more positive than plus 3 volts with respect to signal ground. The RS-232-C drivers of the ACLA provide, for the marking condition, a level more negative than minus 8 volts and, for the spacing condition, a level more positive than 8 volts.

## MODEM STRAPPING

To insure compatibility of the ACLA with various types of modems, strapping options are provided on the ACLA logic card. The proper strapping must be verified for each modem type. This involves which modem signals are connected to certain pins on the 25-pin modem connector. The signals affected and their strapping points are shown in table 4-1.

## MONITORING

The modem signals of clear-to-send (CTS), data-carrier-detector (DCD), secondary data-carrier-detector (SDCD) and data-set-ready are monitored by the ACLA for a level change (either an on-to-off transition or an off-to-on transition). Ring-indicator (RI) is monitored for an on-to-off transition. The modem interface section also contains the logic for operating in the loopback test mode, so that the following

modem control and monitor signals are connected: SD to RD, RTS to CTS, LM to DCD, DTR to DSR (data-terminal-ready to data-set-ready), TB (terminal busy) to RI, and SRTS to SDCD.

TABLE 4-1. STRAPPING POINTS

Option	Signal	Strapping Points			
		ACLA1		ACLA2	
		From	To	From	To
1.	SRTS (Pin 19)	I	A	F	G
2.	SRTS (Pin 11)	J	D	N	E
3.	OM (Pin 11)	L	D	M	E
4.	LM (Pin 12)	K	C	P	H
5.	SDCD (Pin 12)	B	C	O	H

1. Standard production cards are set up with options 1, 3, and 5 as shown.

2. Options 2 and 3 cannot be chosen for the same ACLA.

3. Options 4 and 5 cannot be chosen for the same ACLA.

## MONITOR SIGNALS

All modem monitor signals are inverted by the RS-232-C receivers. The resulting signals are supplied to a 2-to-1 multiplexer which is used for the self-test mode. The outputs of the multiplexer (CTS\*, DCD\*, SDCD\*, and DSR\*) are presented to change detecting circuits. If there is a level change in any one of these four signals, the status R/W is set, providing ISON is a logic 1. The setting of the status R/W causes the most recent condition of the four modem signals to be stored in a register. The outputs of this register are CTSS, DCDS, secondary data-carrier-detector status (SDCDS), and data-set-ready status (DSRS). These outputs are presented to the input multiplexer for transference to the LM when the ACLA's input section is selected.

Each change detection circuit consists of one section of the register and an exclusive OR gate. For example, if both DSR\* and DSRS are logic 1, the status R/W does not set, since the output of the exclusive OR gate to which DSR\* and DSRS are applied is a high level. Assume that now the state of DSR\* is changed so that it makes a logic 1-to-0 transition. The output of the exclusive OR gate goes low, setting the status R/W which strobes the register storing the present condition of DSR\*. Now DSR\* and DSRS are both a logic 0, and the exclusive OR gate output is high. The DSR change detector is primed to respond in the same manner when DSR\* makes a logic 0-to-1 transition. Note that the register is updated every time the status R/W is set. A timing diagram of the modem interface signals is presented in figure 4-11.

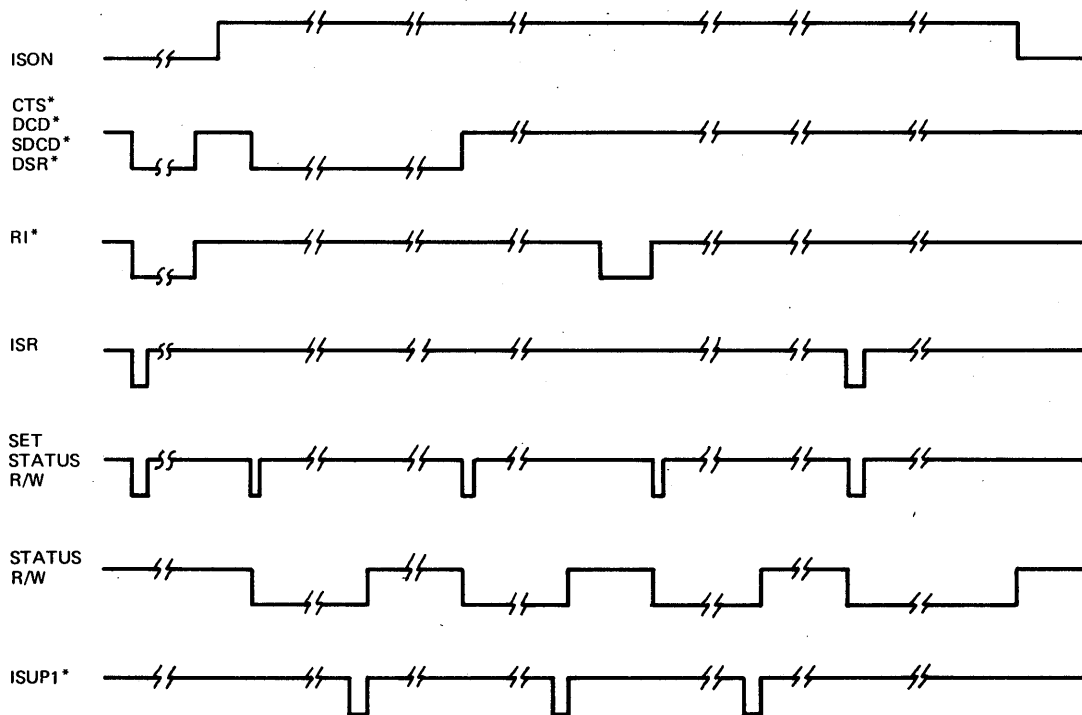


Figure 4-11. Modem Interface Timing Diagram

#### RING INDICATOR STATUS

Ring indicator status (RIS) is stored in a flip-flop. A logic 1-to-0 transition of ring indicator causes the status R/W to set. The setting of the status R/W causes the RIS flip-flop to be clocked to a logic 1. The next time the status R/W is set, if not caused by the toggling of the ring indicator (RI), the RIS flip-flop is clocked to a logic 0. The RI detection logic consists of an exclusive OR gate, a NAND gate, an inverter, the RIS flip-flop and a delay network. When the RI line goes to a logic 1, a low level is applied to the resistor-capacitor network, causing the capacitor to discharge through the resistor until the level across the capacitor reaches ground potential. The inputs to the RIS flip-flop are armed with a high level. When RI makes a logic 1-to-0 transition, the output of the NAND gate goes low, thereby setting the status R/W. The high level on the inputs to the RIS flip-flop is clocked into the RIS flip-flop by the setting of the status R/W. This level goes low 200 to 400 nanoseconds afterwards, then the capacitor charges to the turn-on voltage of the exclusive OR gate.

#### STATUS READ/WRITE

The status R/W is reset when the ACLA puts the second status word on the LM input bus. Since ISON is applied to the direct reset of

the status R/W, this status is inhibited from setting when ISON is logic 0.

The status R/W can be set with any of the following eight signals: data-associated-status, input-loop-error, output-loop-error, or one of the five outputs of the change detection circuit.

#### DATA ASSOCIATED STATUS

Data-associated-status\* (DAST\*) is produced by an A-O-I gate and may be activated by an input-data-error (parity or framing error or data-transfer-overflow) signal. FES, PES, and DTOS are applied to the A-O-I gate. If any one is logic 1, and IBF is logic 1, data-associated-status also goes to a logic 1. The remaining element of the A-O-I gate decodes the input-supervision-report command which causes data-associated-status to go to logic 1 if OST1, COM2 and IO2 are logic 1. The input-supervision-report command is a single-pulse signal.

#### INDICATORS

Light-emitting diodes are used to monitor the modem interface for the activity of the send-data, receive-data, request-to-send and data-set-ready. The indicators are activated with a logic 0, on, or spacing condition on their associated signals.

## SPEED GENERATORS

The receive and transmit sections of the UART require separate clock sources that are each 16 times the desired baud rate of their associated section. These clock sources are supplied by the receive and transmit speed generators. Each speed generator, under program command, can select one of four reference frequencies supplied to the CLA (by the LM or special option) and can divide it by a predetermined integer to produce the 16 times clock required by the UART. All commonly used reference frequencies are necessary to the normal functioning of an ACLA. More than one reference frequency is available between a multiplexer and the communications line adapters it is servicing. The three reference frequencies supplied by the LM to the ACLA are: RF1 (9.6 kHz), RF2 (19.2 kHz), and RF3 (153.6 kHz). The ACLA can accommodate RF4, which

is a special frequency supplied by an optional oscillator. These reference frequencies are applied to a 4-to-1 multiplexer which is controlled by receive speed ranges 1 and 2 of command word 2. The desired speed range is applied to a synchronously loaded binary counter. The counter is loaded with the levels present on RF1, RF2, RF4, and RF8. See figure 4-12. The loading is enabled by its own carry-out when the count reaches the  $F_{16}$ , which happens on the low-to-high transition of the selected reference frequency. The carry-out pulse is NAnDED with the inversion of the reference frequency to produce the 16 times clock for the receive section of the UART. The speed generator for the transmit section of the UART operates in an identical manner to the receive sections speed generator described above.

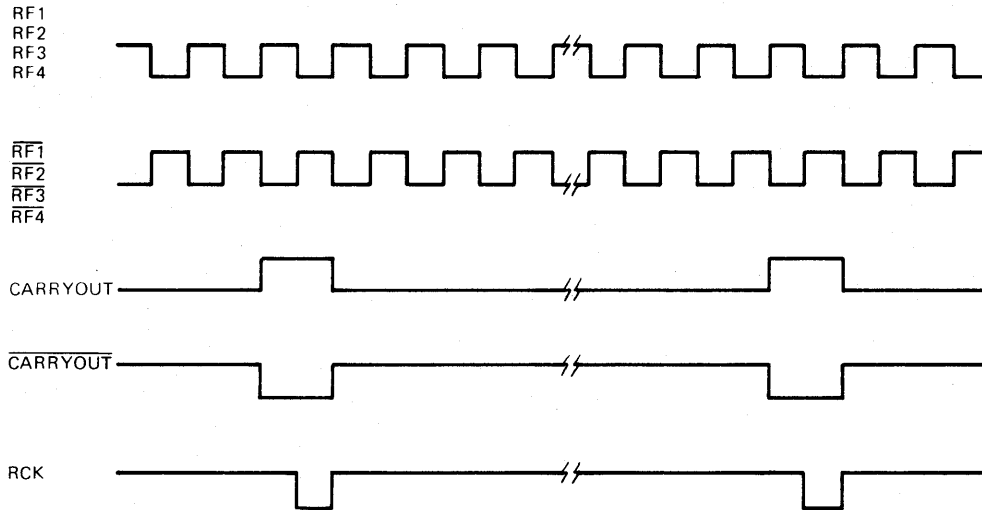
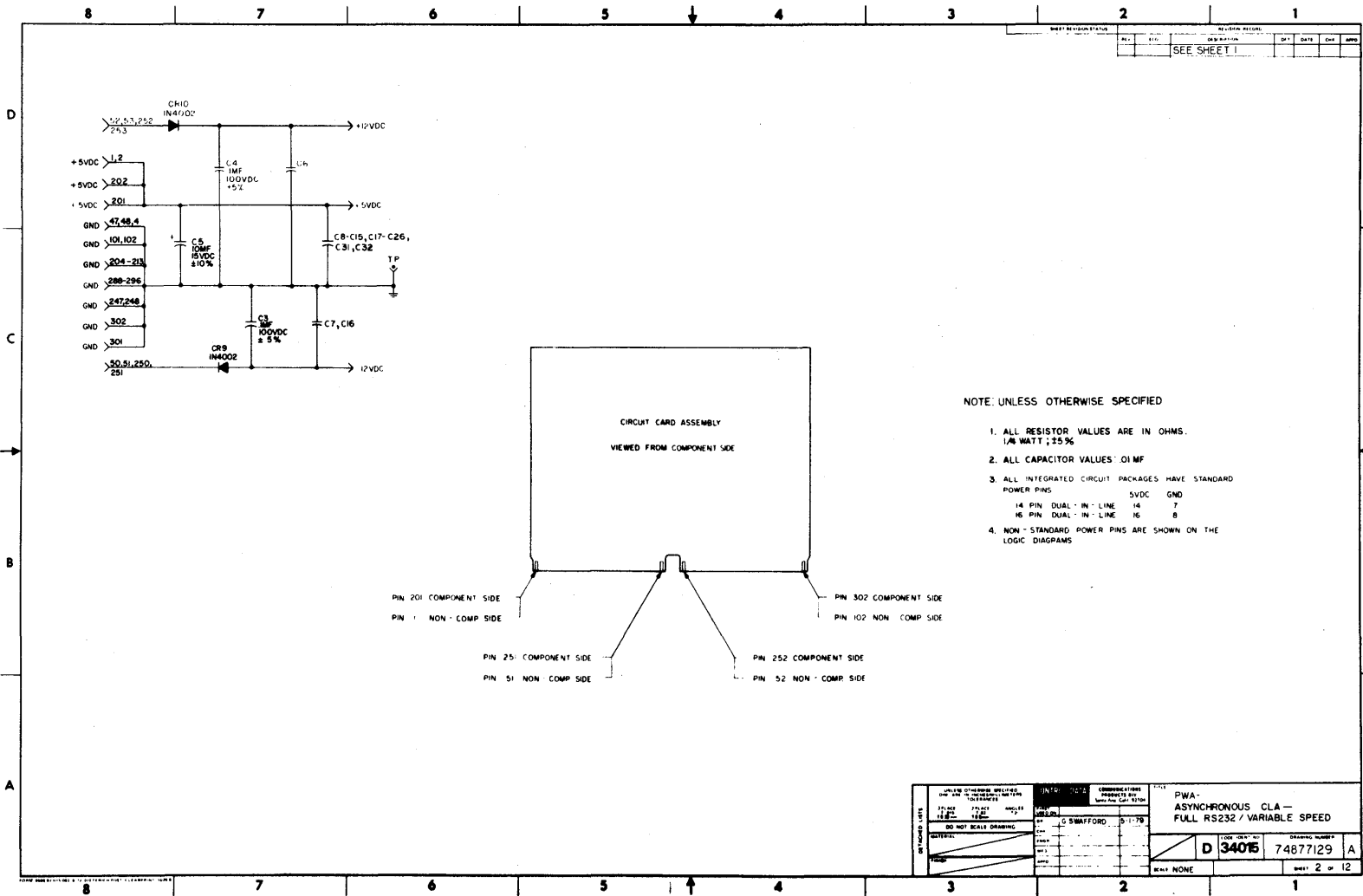


Figure 4-12. Speed Generator Timing Diagram



---

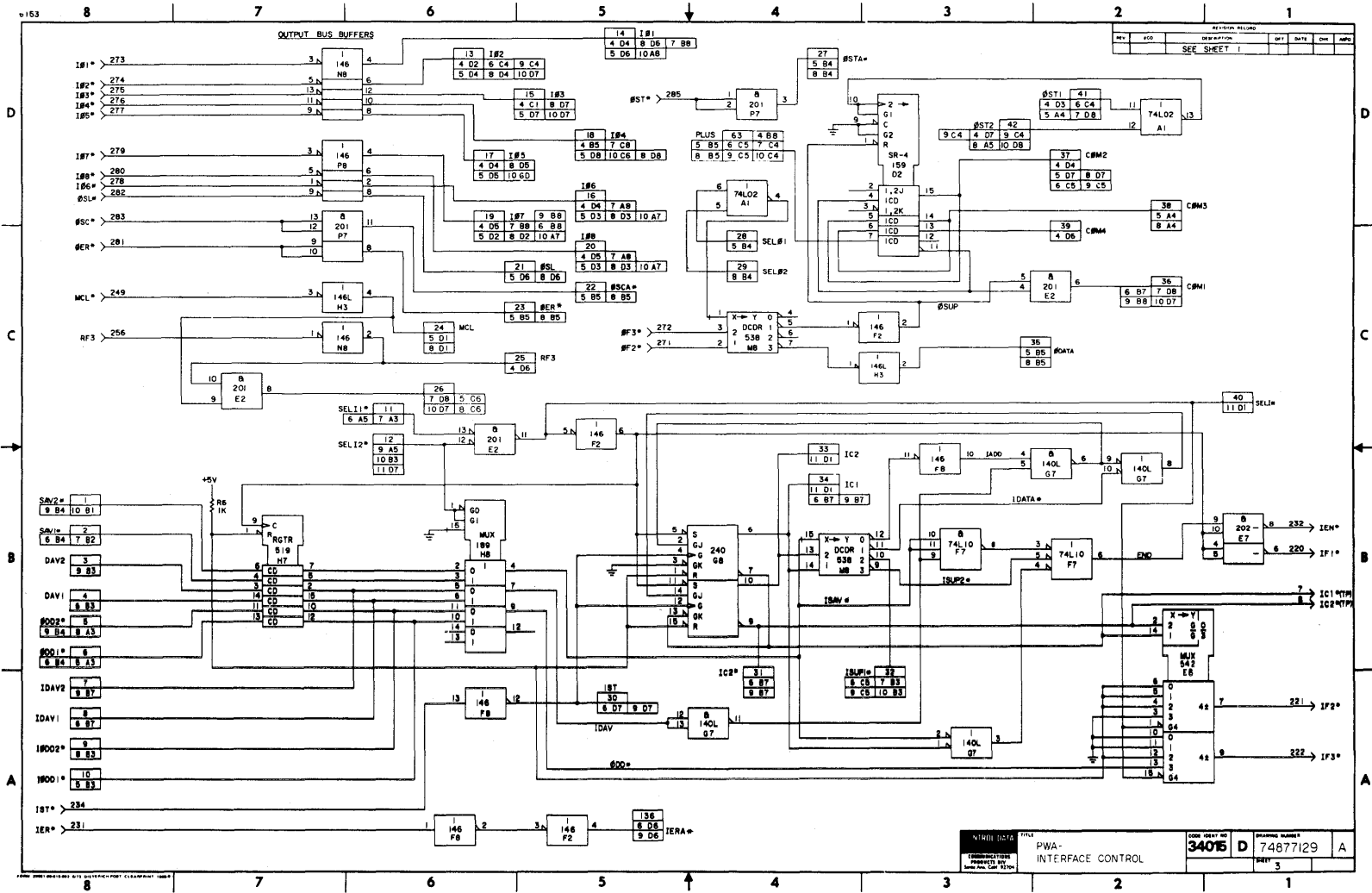
This section contains the logic diagram  
for the ACLA.

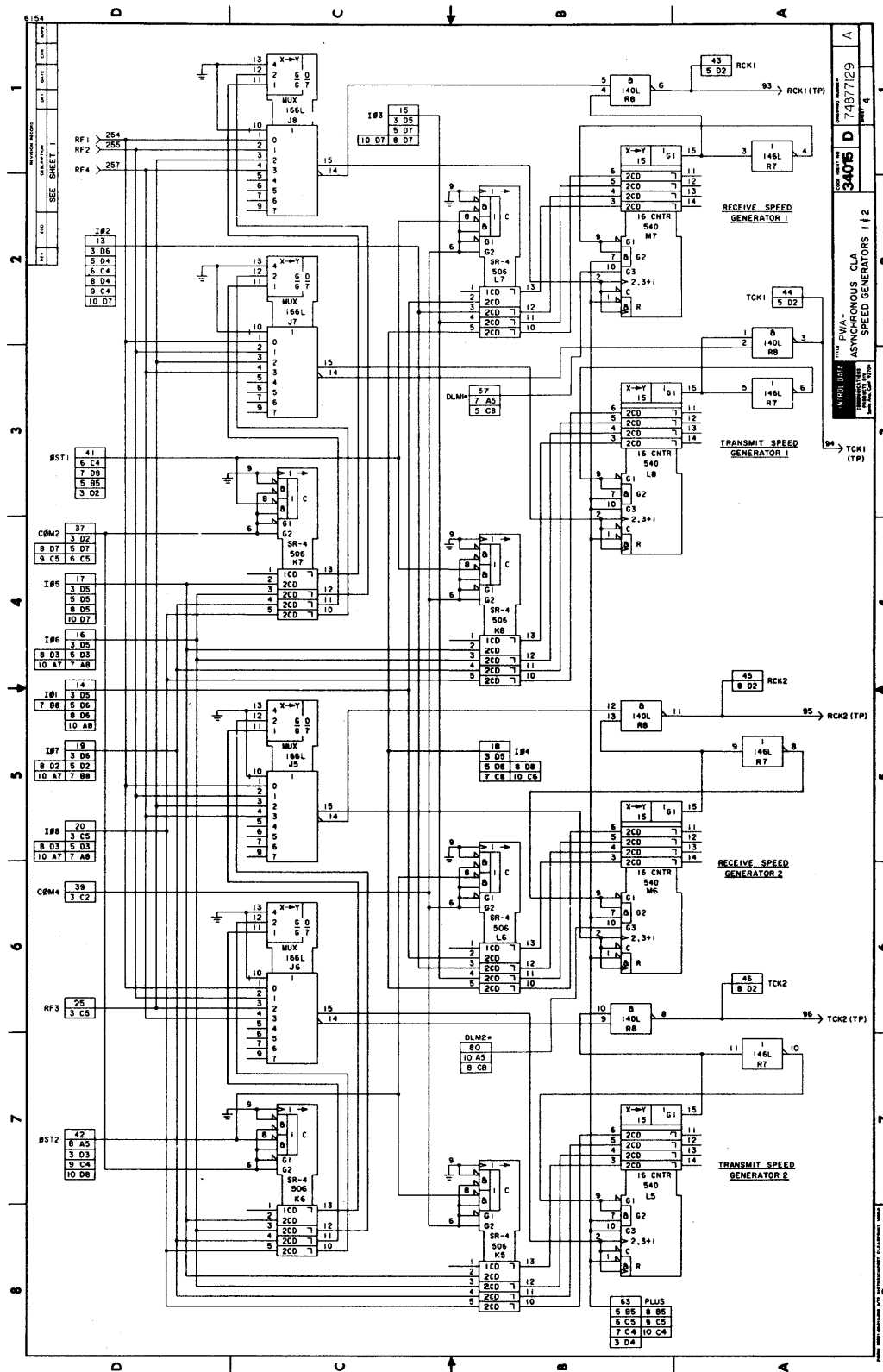


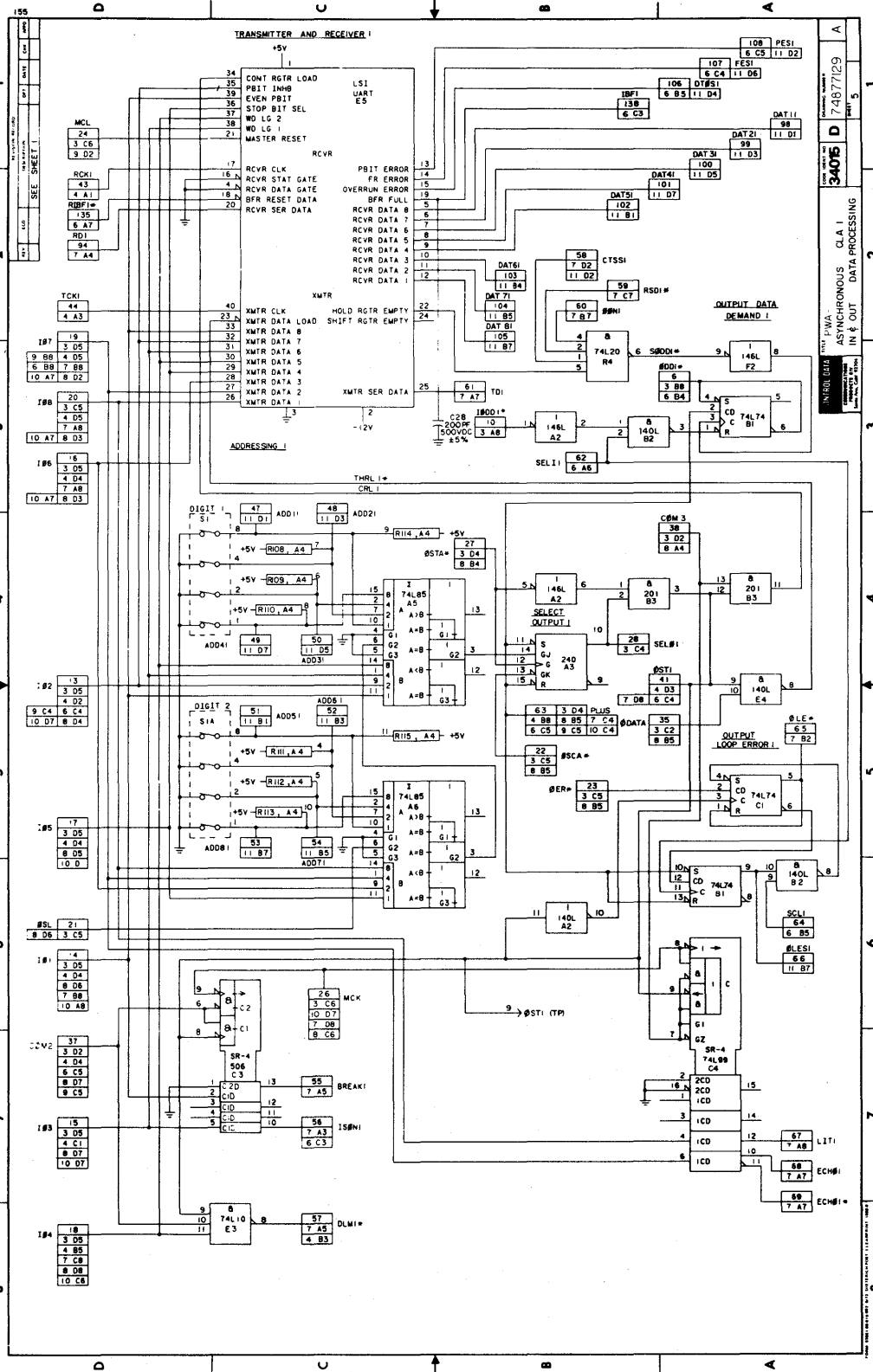
NOTE: UNLESS OTHERWISE SPECIFIED

1. ALL RESISTOR VALUES ARE IN OHMS. 1/4 WATT; ±5%
2. ALL CAPACITOR VALUES: 0.1 MF
3. ALL INTEGRATED CIRCUIT PACKAGES HAVE STANDARD POWER PINS  
 14 PIN DUAL - IN - LINE 14 7  
 16 PIN DUAL - IN - LINE 16 8
4. NON - STANDARD POWER PINS ARE SHOWN ON THE LOGIC DIAGRAMS

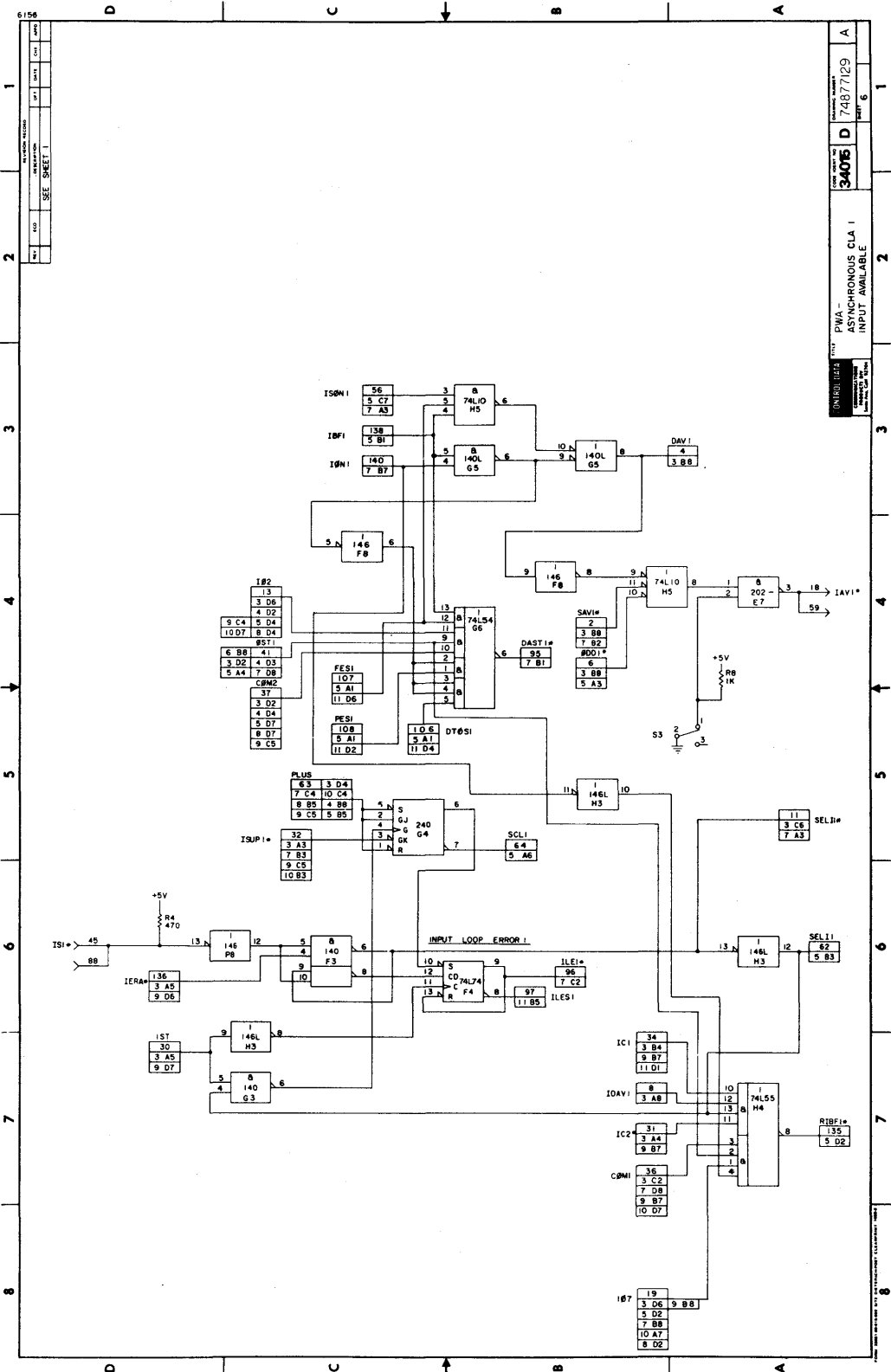






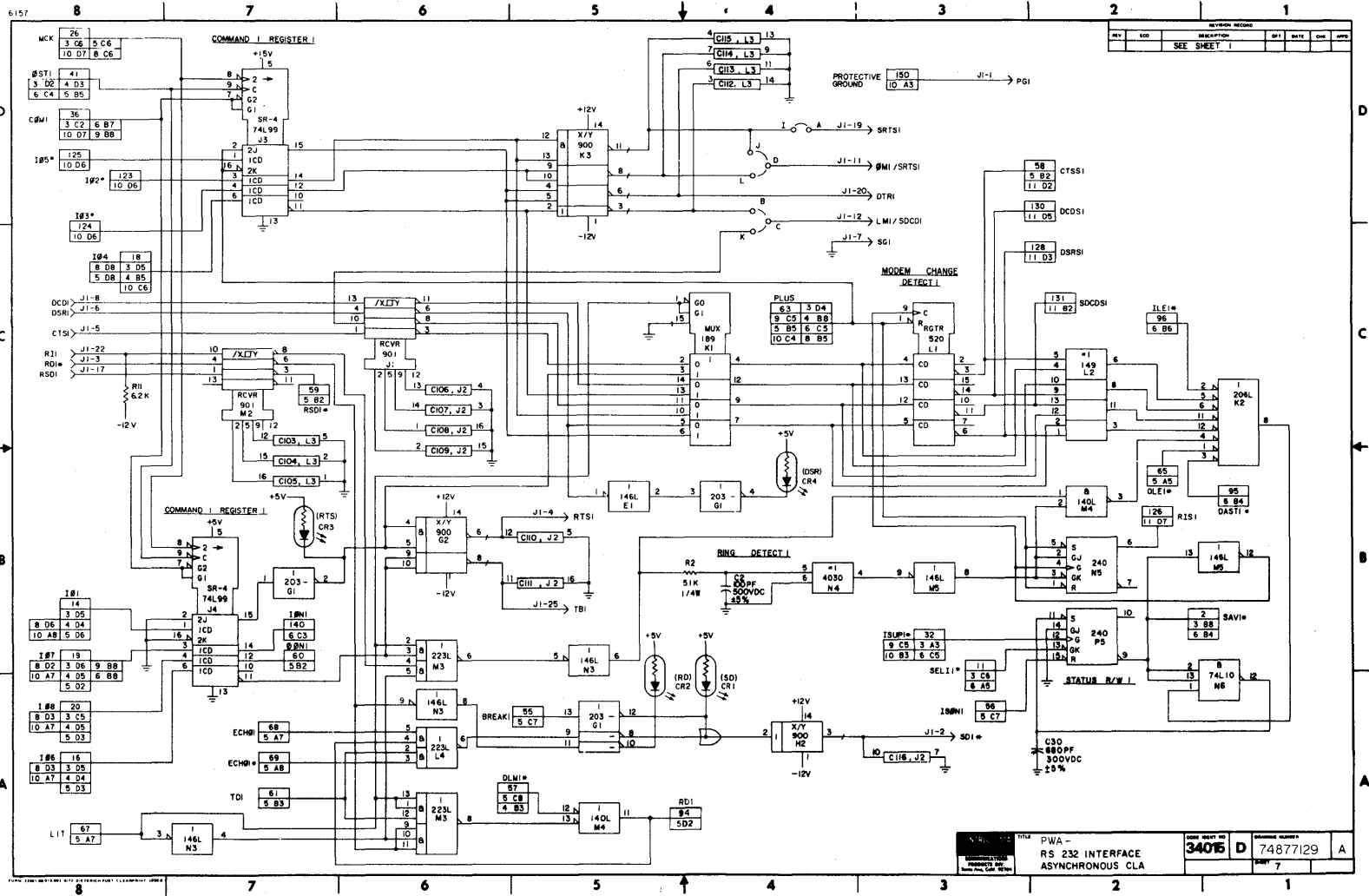


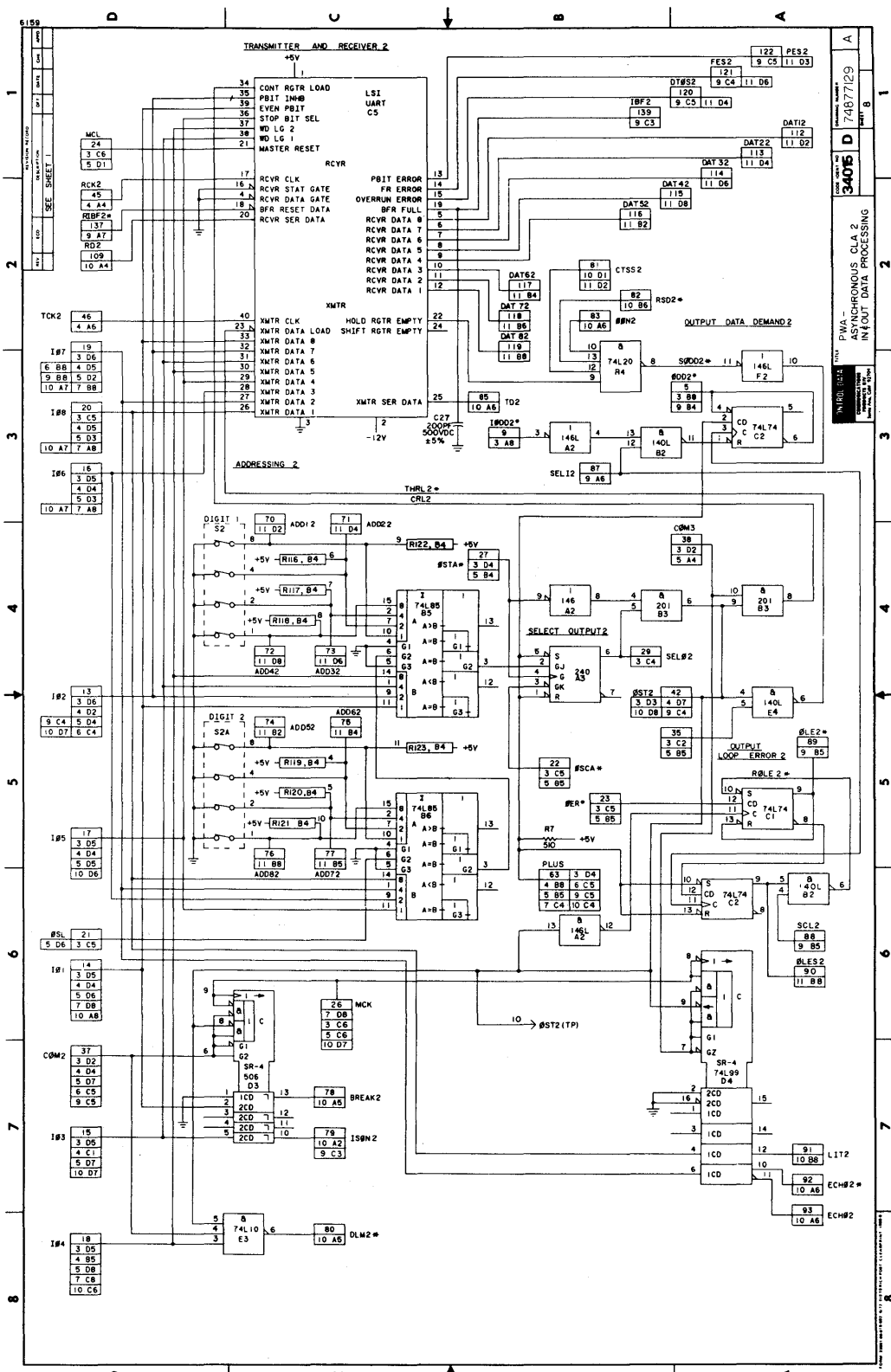
74877129  
 ASYNCHRONOUS CL A I  
 IN & OUT DATA PROCESSING



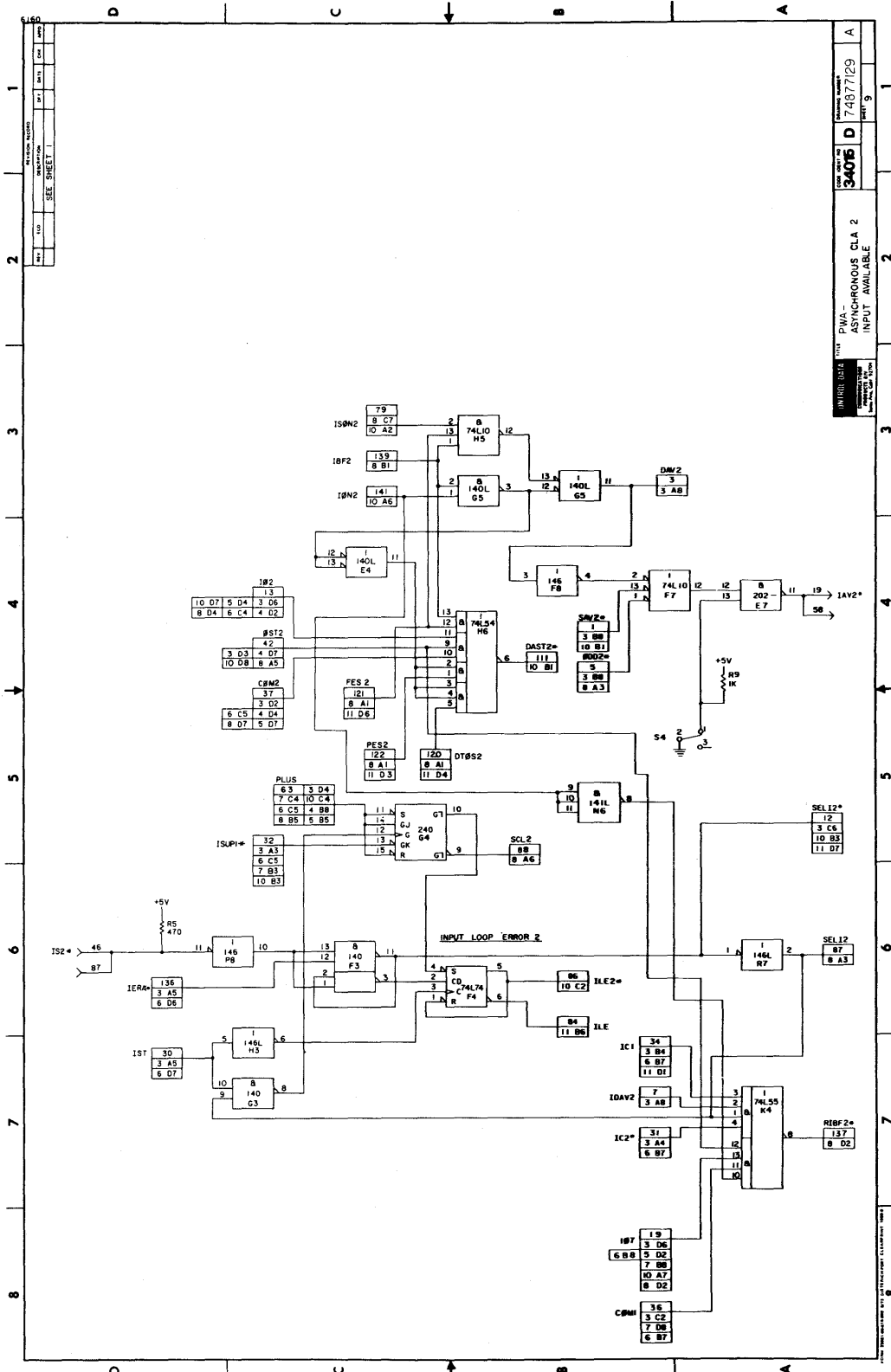
6156  
 1  
 2  
 3  
 4  
 5  
 6  
 7  
 8

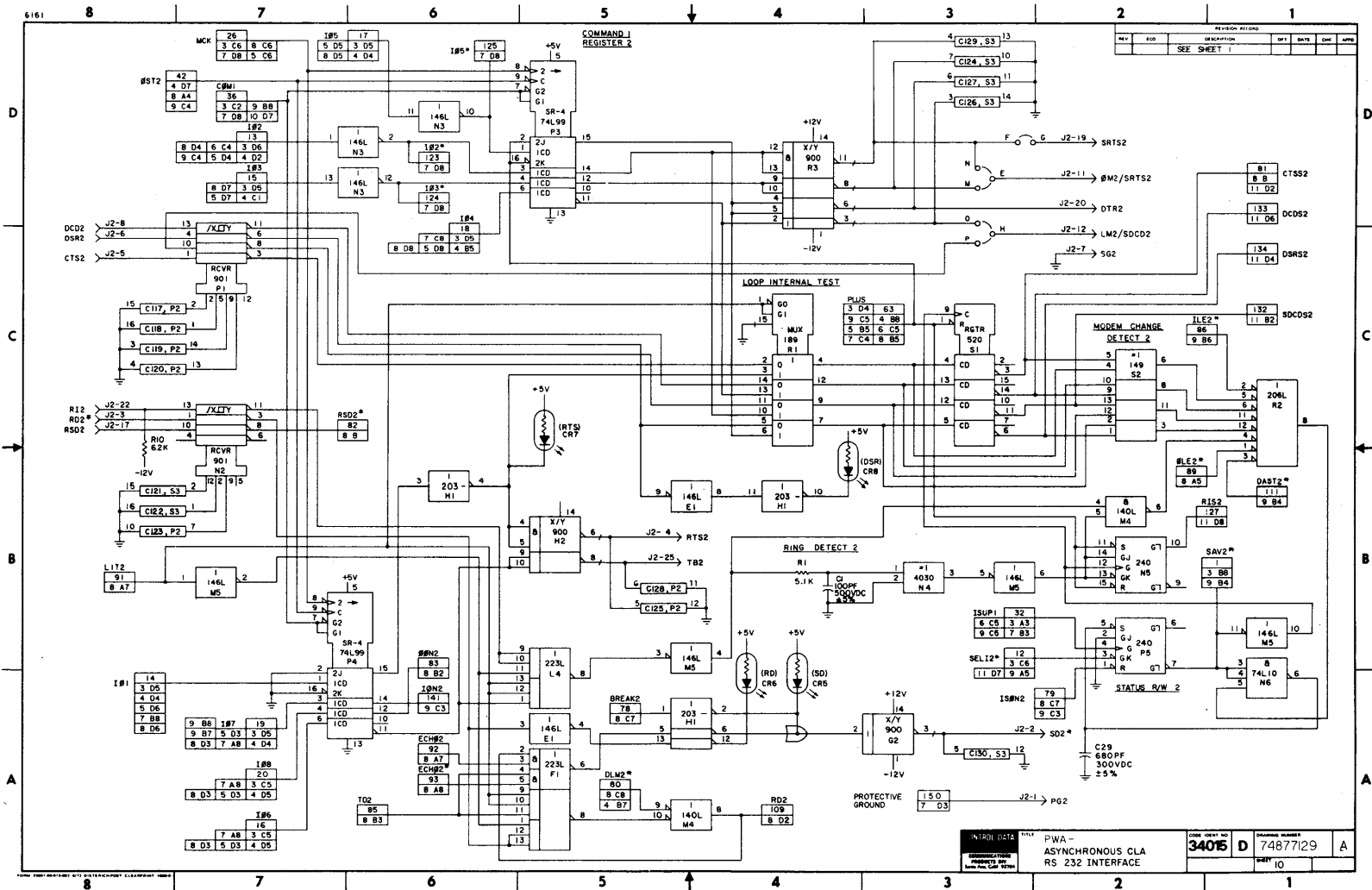
PWA - ASYNCHRONOUS CLA 1 INPUT AVAILABLE  
 3406 D  
 7487/129 A  
 REV 6





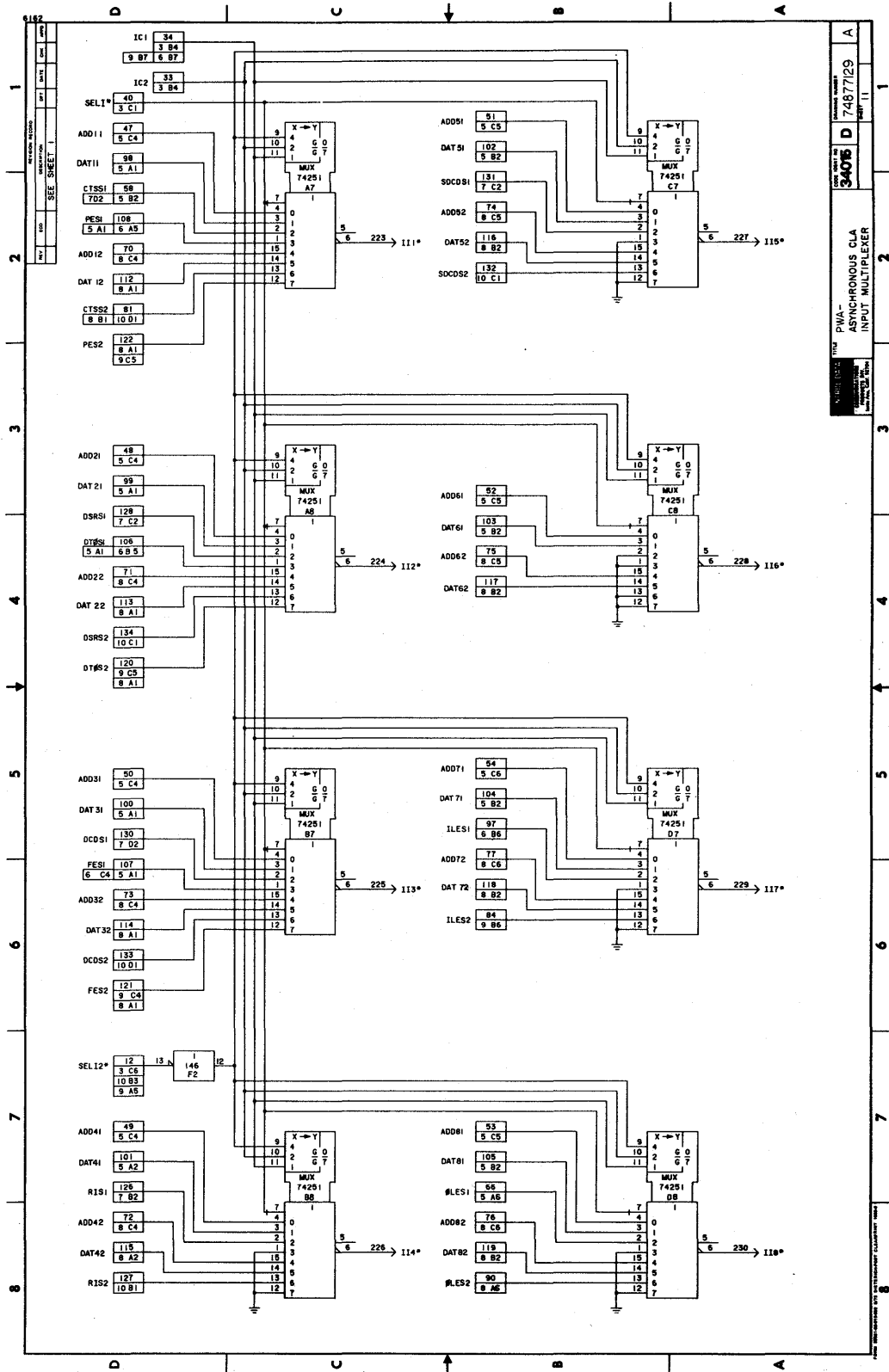
PWA - ASYNCHRONOUS CLA 2  
 INPUT DATA PROCESSING  
 3405 D 74877/29 A

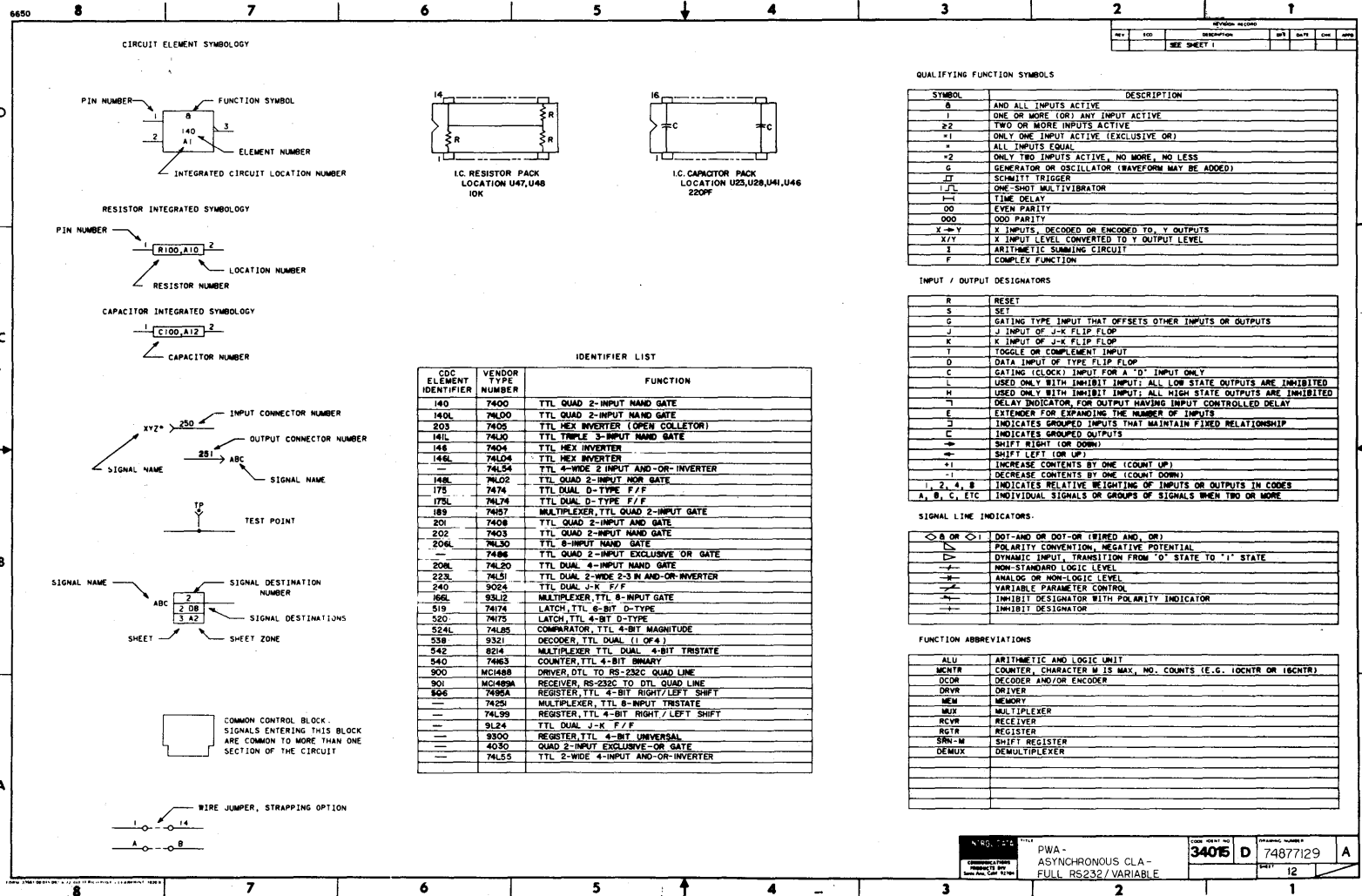




INTROL DATA	REV	DESCRIPTION	REV	DATE	CHK	APPD
34015 D	74877129	PWA-ASYNCHRONOUS CLA RS 232 INTERFACE				
DATE	10					







REV. 12-68  
COMMUNICATIONS  
SHEET NO. 12 OF 12

PWA-  
ASYNCHRONOUS CLA-  
FULL RS232/VARIABLE

3405 D 74877129  
SHEET 12

This section covers troubleshooting, card replacement, card repair, maintenance checks, and preventive maintenance. In order for the ACLA to operate, the system must be operating.

## TROUBLESHOOTING

### SPECIAL TOOLS

Troubleshooting is facilitated by the use of an Extender Board, CDC Part No. 74555600. The extender board is oriented so that its female connector is on the left when viewed from the front of the card cage assembly. The extender board is inserted into the card cage assembly in place of the suspected faulty ACLA card. The ACLA card is then inserted into the guide rails of the extender board. All points on the ACLA card are thus made readily accessible for troubleshooting.

A Loop External Test Connector, CDC Part No. 74715600, may be used for off-line diagnostics.

### TEST EQUIPMENT

The following items of test equipment are recommended for troubleshooting the ACLA circuit cards:

1. Oscilloscope, Tektronix Model 475, or equivalent
2. Volt-Ohm-Milliammeter, Simpson Model 261, or equivalent.

### ON-LINE DIAGNOSTICS

On-line diagnostics incorporated into the communications control program are used to isolate trouble to the module level. This method is enhanced by the operator, or repair personnel, periodically checking the error counters built into the on-line diagnostic system. This method is preferred since it usually provides successful trouble isolation without creating system downtime.

### OFF-LINE DIAGNOSTICS

Off-line diagnostics (MST 041) are also used to isolate trouble to the module level. Solid or intermittent errors are found by using this method. In most cases, the solid error is located without difficulty, but

the intermittent error may prove more difficult to detect, and more exhaustive checks are required to isolate the error.

A loop external test connector may be used to diagnose problems in the modem receivers and drivers. This connector tests only send data/receive data, request-to-send/clear-to-send, data-terminal-ready/data-set-ready, secondary request-to-send/secondary data carrier-detector, terminal busy/ring indicator signals. System downtime is a serious problem when off-line diagnostic methods are used, and should be avoided if possible.

### PIN CONNECTIONS AND SIGNALS

The following tables serve as troubleshooting aids to facilitate the monitoring of ACLA interface signals. The LM-to-ACLA interface signals with associated pin connections are listed in table 6-1. The RS-232-C modem-to-ACLA interface signals and pin assignments for the 25-pin connections are listed in table 6-2.

## CARD REPLACEMENT

To remove and reinstall ACLA cards in the card cage assembly, proceed as follows:

#### NOTE

ACLA cards can be removed from and reinstalled in the card slots while the system is operating.

1. Set CLAl and CLA2 toggle switches to OFF.
2. Remove ACLA modem cables.
3. Trip two plastic ejectors, located at top and bottom of ACLA card handle, until tab connectors on rear edge of card are forced out of connectors on the LM backplane.
4. Grasp card by handle and pull card from card cage.
5. Inspect pins on cage backplane for bent, missing, or damaged pins.

#### CAUTION

Ensure that the 51-pin tab connectors on the rear edge of the card are properly aligned with their mating connectors on the card cage backpanel. Cross-slotting will destroy the backpanel.

TABLE 6-1. LOOP MULTIPLEXER-TO-ACLA INTERFACE SIGNALS

ACLA Pin No.	Signal Name	Mnemonic	Function	Signal To:
18/59 <sup>†</sup>	Input Available ACLA1	IAV1	Notifies LM that ACLA1 has input	LM
19/58 <sup>†</sup>	Input Available ACLA2	IAV2	Notifies LM that ACLA2 has input	LM
231	Input Error	IER	Notifies ACLA of error on last input frame	ACLA
232	Input End	IEN	Notifies LM that present information is last	LM
220 thru 222	Input Format Bits 1 thru 3	IF1 thru IF3	Informs LM of address, data, or supervision on information input bus	LM
45/88 <sup>†</sup>	Input Select ACLA1	IS1	LM selects ACLA1 input	ACLA
46/87 <sup>†</sup>	Input Select ACLA2	IS2	LM selects ACLA2 input	ACLA
234	Input Strobe	IST	LM notifies ACLA of access	ACLA
223 thru 230	Information Input Bits 1 thru 8	II1 thru II8	Information to LM (data, address, supervision)	LM
283	Output Select Clear	OSC	LM deselects ACLA output	ACLA
282	Output Select	OSL	LM presents ACLA address	ACLA
271 and 272	Output Format Cell Bits 2 and 3	OF2 and OF3	Informs ACLA of address, data, or supervision on information bus	ACLA
285	Output Strobe	OST	LM notifies ACLA of information present	ACLA
273 thru 280	Information Output Bits 1 thru 8	IO1 thru IO8	Information to ACLA (data, supervision, address)	ACLA
281	Output Error	OER	Notifies ACLA of errors in last frame	ACLA
249	Master Clear	MCL	Clears ACLA	ACLA
254	Ref Frequency 1	RF1	9.6 kHz Clock	ACLA
255	Ref Frequency 2	RF2	19.2 kHz Clock	ACLA
256	Ref Frequency 3	RF3	153.6 kHz Clock	ACLA
257	Ref Frequency 4	RF4	Special	ACLA

<sup>†</sup>Signals are available at two different pins depending on location of card in card cage.

TABLE 6-2. MODEM-TO-ACLA INTERFACE SIGNALS AND PIN CONNECTIONS

ACLA Pin No.	Description	Circuit Designation		Signal To:
		EIA RS-232C	CCITT V.24	
1	Protective Ground (PG)	AA	101	NA
2	Transmitted Data (SD)	BA	103	Modem
3	Received Data (RD)	BB	104	ACLA
4	Request to Send (RTS)	CA	105	Modem
5	Clear to Send (CTS)	CB	106	ACLA
6	Data Set Ready (DSR)	CC	107	ACLA
7	Signal Ground (SG)	AB	102	NA
8	Data Carrier Detector (DCD)	CF	109	ACLA
9	Not Used			
10	Not Used			
11	Originate Mode (OM) <sup>†</sup>	(non-EIA)	(non-CCITT)	Modem
11	Secondary Request to Send (SRTS) <sup>†</sup>	SCA	120	Modem
12	Secondary Data Carrier Detector (SDCD) <sup>†</sup>	SCF	122	ACLA
12	Local Mode (LM) <sup>†</sup>	(non-EIA)	(non-CCITT)	Modem
13	Not Used			
14	Not Used			
15	Not Used			
16	Not Used			
17	Restraint Detector (RSD)	(non-EIA)	(non-CCITT)	ACLA
18	Not Used			
19	Secondary Request to Send <sup>†</sup>	SCA	120	Modem
20	Data Terminal Ready (DTR)	CD	106.2	Modem
21	Not Used			
22	Ring Indicator (RI)	CE	125	ACLA
23	Not Used			
24	Not Used			
25	Terminal Busy	(non-EIA)	(non-CCITT)	Modem

<sup>†</sup>Selection of these signals is determined by strapping options. See table 4-1.

6. Insert proven card into cage slot and firmly engage card into connector on cage backplane.
7. Connect ACLA modem cables to connectors on card handle.
8. Set each address switch to proper setting.
9. Set CLA1 and CLA2 toggle switches to enabled (on) position.

## LED INDICATORS

The LED indicators on the ACLA card handle are lighted when the LM is inputting from and outputting to the ACLA. Observing these LEDs can readily indicate modem or system errors to the operator. A blinking RD indicator indicates that the ACLA is receiving data from the modem; when the SD indicator is blinking, it indicates that the ACLA is sending data to the modem; a lighted RTS indicator shows that request-

to-send is active from the ACLA; and a lighted DSR indicator shows that data-set-ready from the modem is active.

Suspected power failure to the card may be monitored for +5 vdc at the card.

## PREVENTIVE MAINTENANCE

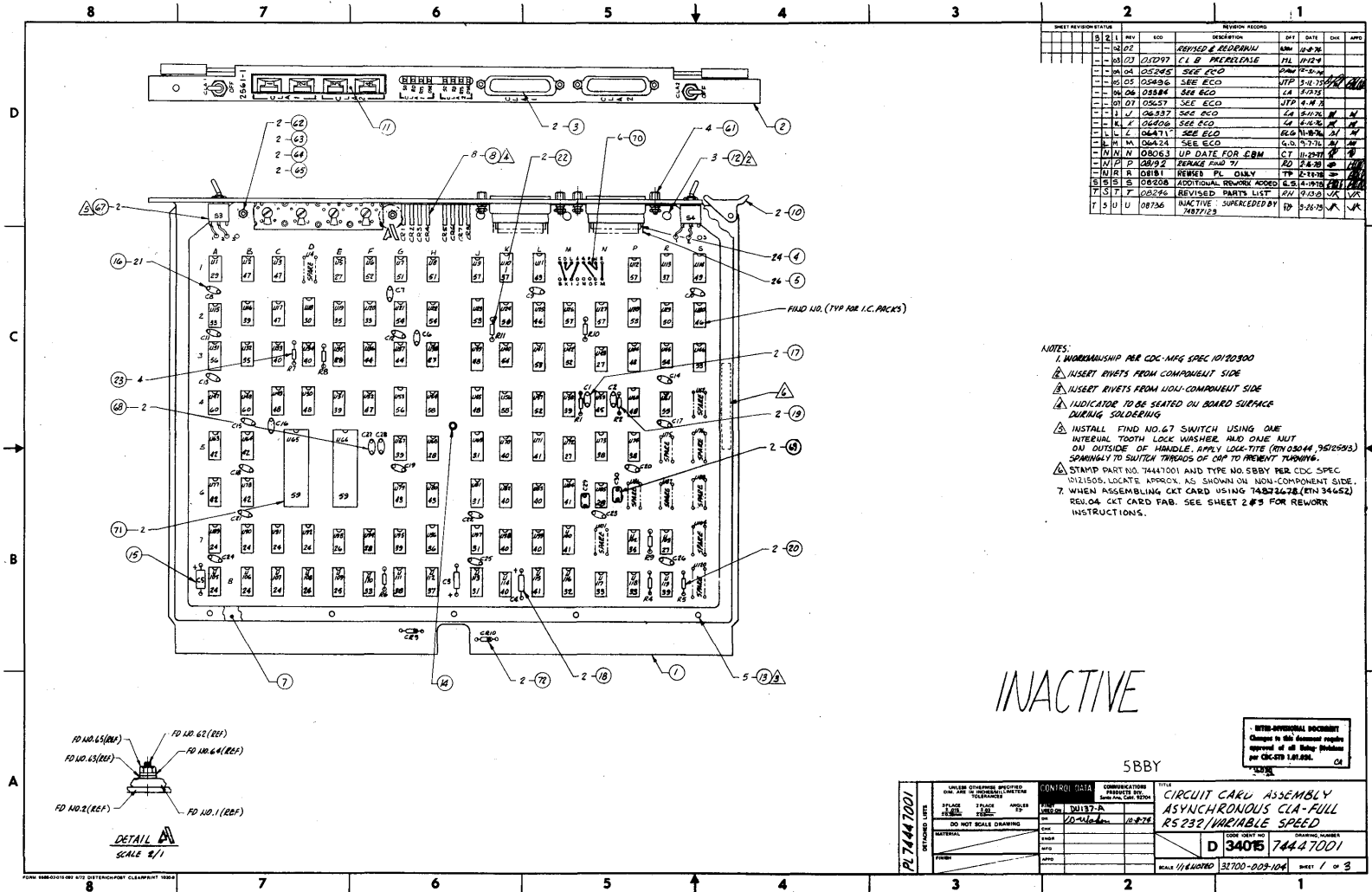
Preventive maintenance of the ACLAs is minimal. Excessive handling of cards may induce faults and is thus discouraged. However, the following should be performed at regular intervals:

1. Use spare cards periodically to ensure integrity of the spares.
2. Inspect connectors and cables for fraying or other damage.
3. When a card is removed, inspect connectors at card cage backplane for bent, damaged, or burned pins.

---

This section contains parts lists for the asynchronous communications line adapter and associated cable assemblies. The lists are provided primarily for reference purposes. Field repair of ACLA cards by parts replacement is neither authorized by any

maintenance contract nor is such on-site repair recommended. System repair is to be accomplished via card replacement with the spares provided. However, in the event of multiple card failures, exhausting spares, the parts information is furnished.









DWN	LEYENTHAL	7/17	CONTROL DATA	TITLE	CABLE ASSY ASYNCHRONOUS 25232 TD 103A/118	PREP	DOCUMENT NO.	74657700/03	REV	D
CHRD			COMMUNICATIONS PRODUCTS DIV. SANTA ANA, CA 92704	FIRST USED ON	31770-009-070					SHEET 1 OF 6
ENG			CODE IDENT							
MFG			34015							
APPE										

SHEET REVISION STATUS						REVISION RECORD					
6	5	4	3	2	1	REV	ECO	DESCRIPTION	DRFT	DATE	APP
-	-	-	00	00	00	00	-	PRELIM RELEASE	ML	10/31/74	
-	-	-	00	01	01	01	-	REV QTY PD NO. #15	LA	1-3-75	
-	-	-	00	01	02	02	05360	CL "B" PRE-RELEASED	PM	1-10-75	
-	-	-	20	03	03	03	06707	CL II COMM CONTACT CHG	PM	1-11-77	
-	-	-	04	00	04	04	08139	FIND NO. 5 WAS 620B601 ADDED: BLK WIRE (GND)	ELG	1-19-78	
-	-	-	A	A	A	A	08063	CLASS A RELEASE	TP	1-27-78	
-	-	-	A	B	B	B	08290	ADDED TABS TO CABLE	AV	5-10-78	
-	-	-	A	B	C	C	08744	CORRECT P2 PIN1 LOCATION, CORRECT HOOD ORIENTATION	GP	7-12-79	
-	-	-	D	D	D	D	08622	CORRECTED DRAWING ADDED: WIRE LIST	GP	8-22-79	

**INTER-DIVISIONAL DOCUMENT**  
Changes to this document require approval of all Using Divisions per CDC-STD 1.01.024. CA

AA6030

NOTES:

PL 74657700/03  
DETACHED LISTS

FORM 19246-01-015-092 DIETERICH-POST CLEARPRINT 1020

PRINTED IN U.S.A.

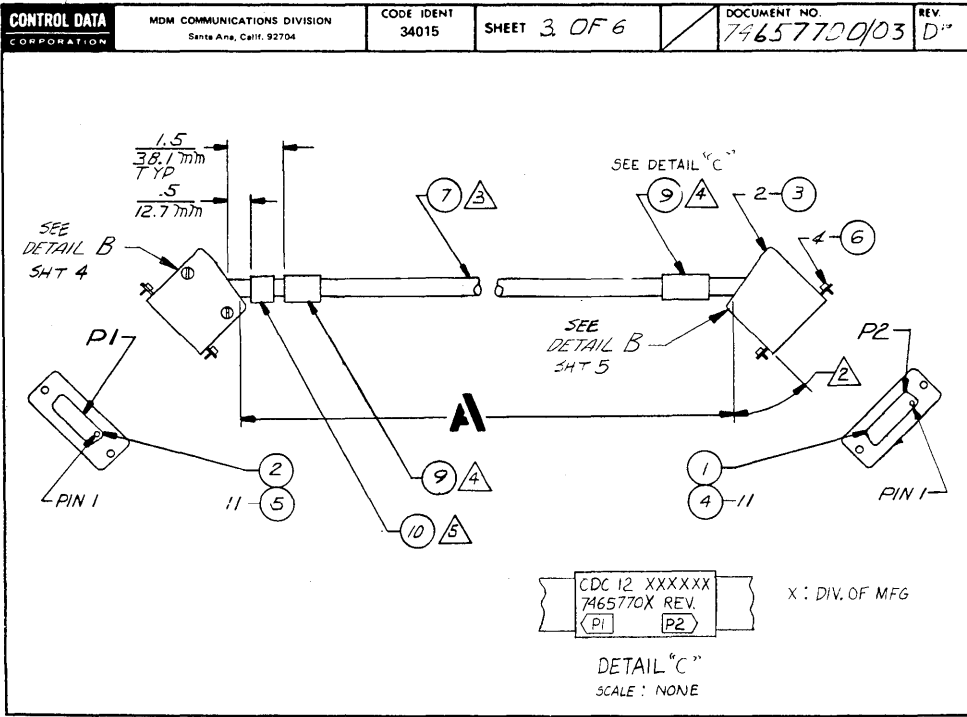
COMMUNICATIONS SYSTEMS DIV. Anaheim, Calif. 92803	CODE IDENT 34015	SHEET 2 OF 6	A	DOCUMENT NO. 74657700/03	REV. D
--	---------------------	--------------	---	-----------------------------	-----------

NOTES:

1. WORKMANSHIP PER CDC-SPEC 10120300.
- ② ANGLE OF CABLE EXITING CONNECTOR HOUSING TO BE 45°.
- ③ SHIELD IS TERMINATED TO THE CONNECTOR SHELL # PIN 1.
- ④ FIND NUMBER 9 TO BE MARKED WITH P/N 74657700/03, CDC 12, DIV OF MFG, REV, CONNECTOR NUMBER P1 AND P2, DATE CODE (E.G. 12/78) PER CDC STD 1.30.008.
- ⑤ P1 END TO BE COLOR IDENTIFIED BLUE WITH FIND NUMBER 10.
- ⑥ STRIP BACK INSULATION AT BOTH ENDS OF WIRE .25 (6.4mm).
- ⑦ SLEEVE ALL BARE WIRE USING FIND NO. 13.

FORM 19245-02-015-092 10/78 DIETERICH-POST CLEARPRINT 1020

PRINTED IN U.S.A.



FORM 19245-00-015-092 DIETRICH-POST CLEARPRINT 1020

PRINTED IN U.S.A.

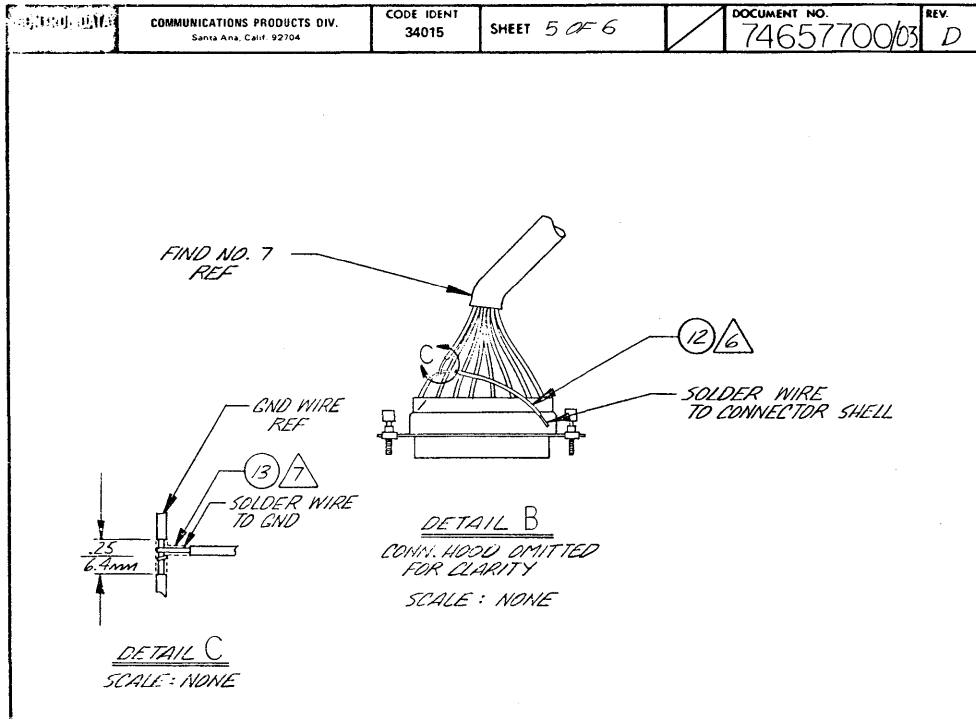
<b>CONTROL DATA</b>	MDM COMMUNICATIONS DIVISION Santa Ana, Calif. 92704	CODE IDENT 34015	SHEET A OF 6	DOCUMENT NO. 74657700/03	REV. D
---------------------	--	---------------------	--------------	-----------------------------	-----------

CDC NO.	LENGTH		RTN NO.
	FEET ±0.5 FT	METERS ±.15 METERS	
74657700	50.0	15.24	31770
74657701	100.0	30.48	38097
74657702	150.0	45.72	38098
74657703	200.0	60.96	38099

FORM 19245-00-015-092 DIETRICH-POST CLEARPRINT 1020

PRINTED IN U.S.A.



FORM 19245-01 015-092 DIETERICH-POST CLEARPRINT 1020

PRINTED IN U.S.A.

CONTROL DATA		COMMUNICATIONS PRODUCTS DIV.		CODE IDENT		SHEET		WL		DOCUMENT NO.		REV.
		<small>Santa Ana, Calif. 92704</small>		<b>34015</b>		<b>6 OF 6</b>				<b>74657700/03</b>		<b>D</b>
CONDUCTOR IDENT.	FIND NO.	GAUGE (REF)	COLOR (REF)	LENGTH (APPROX)	ORIGIN		ACCESS FIND NO.	DESTINATION		ACCESS FIND NO.	REMARKS	
					PIN			PIN				
1	7	22	SHIELD WIRE		CONN P1	1	5	CONN P2	1	4	PROTECTIVE GND (AA)	
2			BLK				2			2	TRANSMITTED DATA (BA)	
3			BRN				3			3	RECEIVED DATA (BB)	
4			RED	SEE TABLE (SHEET A)			4			4	REQUEST TO SEND (CA)	
5			ORJ				5			5	CLEAR TO SEND (CB)	
6			YEL				6			6	DATA SET READY (CC)	
7			GRN				7			7	SIGNAL GND (AB)	
8			BLU				8			8	RYD LINE SIG DET (CF)	
9			VIO			20			20		DATA TERM READY (CD)	
10			GRY			22			22		RING INDICATOR (CE)	
11			WHT			25	5		25	4	TERM BUSY (-)	
12			WHT/BLK								NOT USED	
13	7	22	WHT/BLK		CONN P1			CONN P2			NOT USED	

FORM 23562-00-015-092 DIETERICH-POST CLEARPRINT 1020

PRINTED IN U.S.A.



# ASSEMBLY PARTS LIST

SPARE CODE  
S = SPARE PARTS  
N = NON SPARE PARTS

7465773J	C	GLA	A	CEL AY ASYNCH RS232 TC 103A 11	DM	2551	31/29/78	09/11/79	1 / 1
ASSEMBLY NUMBER	REV	CLASS	DW ST	ASSEMBLY DESCRIPTION	DESIGN SOURCE	FIRST USAGE	RELEASE DATE	PROCESSING DATE	PAGE NUMBER

MF

FIND NUMBER	DW ST	PART NUMBER	QUANTITY	UNIT MEAS	PART DESCRIPTION	IN/OUT STATUS	CHANGE ORD. NUMBER	DATE EFFECTIVE	MAKE/BUY TYPE	SP	CC	OR
13	C	24534706	100	IN	SLEEVING ELEC SHRINKABLE BULK	IN			PPP3	N		
12	C	24548301	300	IN	WIRE, ELEC, 24 GA, PVC, UL, BLK	IN			PPP3	N		
9	B	39296400	200	PC	LABEL, LABEL MARKING	IN	J08622	J82279	PPP4	N		
3	A	51892202	200	PC	HOOD CONNECTOR	IN			PPP4	N		
2	C	62013502	100	PC	CONN, SOCKET, HOUSING 25 PIN	IN			PPP4	N		
5	A	62013606	1100	PC	SOCKET	IN			PPP3	N		
1	A	62013732	100	PC	CONN PIN HOUSING 25 PIN	IN			PPP4	N		
4	A	62013831	1100	PC	CONTACT PIN	IN			PPP3	N		
7	A	74871633	03303	IN	CABLE 13 CONDUCTOR W OA SHIEL	IN	J08500		PPP4	N		
10	A	74871674	1403	IN	TAPE 3/4 WIDE VINYL CLOTH 3LU	IN	J08500		PPP4	N		
6	A	74873611	200	PC	RETAINER MALE SCREW	IN	J08622	J82279	PPP4	N		

NUMBER OF LINE ITEMS = 11  
HIGHEST FIND NUMBER = 13

PROJECT ENGINEER SANTA ANA

AA 2709 REV. 7-75

Printed in U.S.A.



# ASSEMBLY PARTS LIST

SPARE CODE  
S = SPARE PARTS  
N = NON SPARE PARTS

7465773J1	J	GLA	A	CEL AY ASYNG GLA TC 103A 10JFT	DM	2551	J7/23/78	09/11/79	1 / 1
ASSEMBLY NUMBER	REV	CLASS	DW ST	ASSEMBLY DESCRIPTION	DESIGN SOURCE	FIRST USAGE	RELEASE DATE	PROCESSING DATE	PAGE NUMBER

MF

FIND NUMBER	DW ST	PART NUMBER	QUANTITY	UNIT MEAS	PART DESCRIPTION	IN/OUT STATUS	CHANGE ORD. NUMBER	DATE EFFECTIVE	MAKE/BUY TYPE	SP	CC	OR
13	C	24534706	100	IN	SLEEVING ELEC SHRINKABLE BULK	IN	J08290	J72678	PPP3	N		
12	C	24548301	300	IN	WIRE, ELEC, 24 GA, PVC, UL, BLK	IN	008290	J72678	PPP3	N		
9	B	39296400	200	PC	LABEL, LABEL MARKING	IN	008622	082279	PPP4	N		
3	A	51892202	200	PC	HOOD CONNECTOR	IN	008290	072678	PPP4	N		
2	C	62013502	100	PC	CONN, SOCKET, HOUSING 25 PIN	IN	008290	072678	PPP4	N		
5	A	62013606	1100	PC	SOCKET	IN	008290	072678	PPP3	N		
1	A	62013732	100	PC	CONN PIN HOUSING 25 PIN	IN	008290	072678	PPP4	N		
4	A	62013831	1100	PC	CONTACT PIN	IN	008290	072678	PPP3	N		
7	A	74871633	12303	IN	CABLE 13 CONDUCTOR W OA SHIEL	IN	008290	072678	PPP4	N		
10	A	74871674	1403	IN	TAPE 3/4 WIDE VINYL CLOTH 3LU	IN	J08290	J72678	PPP4	N		
6	A	74873611	200	PC	RETAINER MALE SCREW	IN	J08622	J82279	PPP4	N		

NUMBER OF LINE ITEMS = 11  
HIGHEST FIND NUMBER = 13

PROJECT ENGINEER SANTA ANA

AA 2709 REV. 7-75

Printed in U.S.A.



# ASSEMBLY PARTS LIST

SPARE CODE  
S = SPARE PARTS  
N = NON SPARE PARTS

74657732	U	CLA	A	UCL AY ASYNG CLA TG 1J3A 15JFT	DM	2551	J7/23/76	09/11/79	1/ 1
ASSEMBLY NUMBER	REV	CLASS	SW	ASSEMBLY DESCRIPTION	DESIGN SOURCE	FIRST USAGE	RELEASE DATE	PROCESSING DATE	PAGE NUMBER

MF

FIND NUMBER	SW	PART NUMBER	QUANTITY	UNIT	PART DESCRIPTION	IN/OUT STATUS	CHANGE ORD. NUMBER	DATE EFFECTIVE	MARK/BUY TYPE	PH	OR	IN
13	C	24534706	100	IN	SLEEVING ELEC SHRINKABLE BULK	IN	J08296	072678	PPP3	N		
12	C	24548311	300	IN	WIRE,ELECT,24 GA,FVC,UL,BLK	IN	J08290	072678	PPP3	N		
9	B	39296400	200	PC	LABEL, CABLE MARKING	IN	00822	082279	PPP4	N		
3	A	51892202	200	PC	HOOD CONNECTOR	IN	068296	072678	PPP4	N		
2	C	62013502	100	PC	CONN, SOCKET, HOUSING 25 PIN	IN	008290	072678	PPP4	N		
5	A	62013606	1100	PC	SOCKET	IN	068290	072678	PPP3	N		
1	A	62013702	100	PC	CONN PIN HOUSING 25 PIN	IN	008290	072678	PPP4	N		
4	A	62013801	1100	PC	CONTACT PIN	IN	J08290	J72678	PPP3	N		
7	A	74871633	10000	IN	CABLE 13 CONDUCTOR W GA SHIEL	IN	J08290	J72678	PPP4	N		
10	A	74871674	1400	IN	TAPE 3/4 WIDE VINYL CLOTH BLU	IN	J08290	J72678	PPP4	N		
6	A	74873611	200	PC	RETAINER MALE SCREW	IN	00822	082279	PPP4	N		

NUMBER OF LINE ITEMS = 11  
HIGHEST FIND NUMBER = 13

AA 2709 REV. 7-75

PROJECT ENGINEER

SANTA ANA

Printed in U.S.A.



# ASSEMBLY PARTS LIST

SPARE CODE  
S = SPARE PARTS  
N = NON SPARE PARTS

74657733	D	CLA	A	UCL AY ASYNG CLA TG 1J3A 20JFT	DM	2551	J7/23/76	09/11/79	1/ 1
ASSEMBLY NUMBER	REV	CLASS	SW	ASSEMBLY DESCRIPTION	DESIGN SOURCE	FIRST USAGE	RELEASE DATE	PROCESSING DATE	PAGE NUMBER

MF

FIND NUMBER	SW	PART NUMBER	QUANTITY	UNIT	PART DESCRIPTION	IN/OUT STATUS	CHANGE ORD. NUMBER	DATE EFFECTIVE	MARK/BUY TYPE	PH	OR	IN
13	C	24534706	100	IN	SLEEVING ELEC SHRINKABLE BULK	IN	J08290	072678	PPP3	N		
12	C	24548301	300	IN	WIRE,ELECT,24 GA,FVC,UL,BLK	IN	008290	J72678	PPP3	N		
9	B	39296400	200	PC	LABEL, CABLE MARKING	IN	00822	082279	PPP4	N		
3	A	51892202	200	PC	HOOD CONNECTOR	IN	008290	072678	PPP4	N		
2	C	62013502	100	PC	CONN, SOCKET, HOUSING 25 PIN	IN	068290	072678	PPP4	N		
5	A	62013606	1100	PC	SOCKET	IN	068290	072678	PPP3	N		
1	A	62013702	100	PC	CONN PIN HOUSING 25 PIN	IN	008290	072678	PPP4	N		
4	A	62013801	1100	PC	CONTACT PIN	IN	008290	072678	PPP3	N		
7	A	74871633	24000	IN	CABLE 13 CONDUCTOR W GA SHIEL	IN	J08290	J72678	PPP4	N		
10	A	74871674	1400	IN	TAPE 3/4 WIDE VINYL CLOTH BLU	IN	J08290	J72678	PPP4	N		
6	A	74873611	200	PC	RETAINER MALE SCREW	IN	J0822	J82279	PPP4	N		

NUMBER OF LINE ITEMS = 11  
HIGHEST FIND NUMBER = 13

AA 2709 REV. 7-75

PROJECT ENGINEER

SANTA ANA

Printed in U.S.A.





DWN	LEVENTHAL	1/11/78	CONTROL DATA	TITLE	CABLE ASSY	PREFIX	DOCUMENT NO.	REV
ENGR	D. P. ...	1/5/78	COMMUNICATIONS PRODUCTS DIV.	TITLE	ASYNCHRONOUS RS232 TO TERMINAL		74657900	G
MFG			Santa Ana, Ca. 92704	FIRST USED ON				
APPR			CODE IDENT	34015	XA135-A	31771-009-070		SHEET 1 OF 4

SHEET REVISION STATUS				REVISION RECORD			
REV	ECO	DESCRIPTION	DRFT	DATE	APP		
4	3	2	1				
-	00	00	00	00	-	PRELIM RELEASE	ML 10-31-77
-	00	01	01	01	-	REV ALL FIND NO. 3	LA 1-2-78
-	00	01	02	02	05360	CL B" PRERELEASED	DPM 1-10-78
-	00	01	03	03	06248	SEE ECO	LA 3-5-78
-	00	01	04	04	06707	CL B COMM. CONTACT CHG	DPM 1-11-77
-	00	01	05	05	08139	FIND NO. 3 WAS 62013601 ADDED: BLK WIRE (LND)	ELG 1-19-78
-	00	01	06	06	08063	CLASS "A" RELEASE CBM	TP 1-27-78

**INTER-DIVISIONAL DOCUMENT**  
Changes to this document require approval of all Using Divisions per CDC-STD 1.01.024. CA

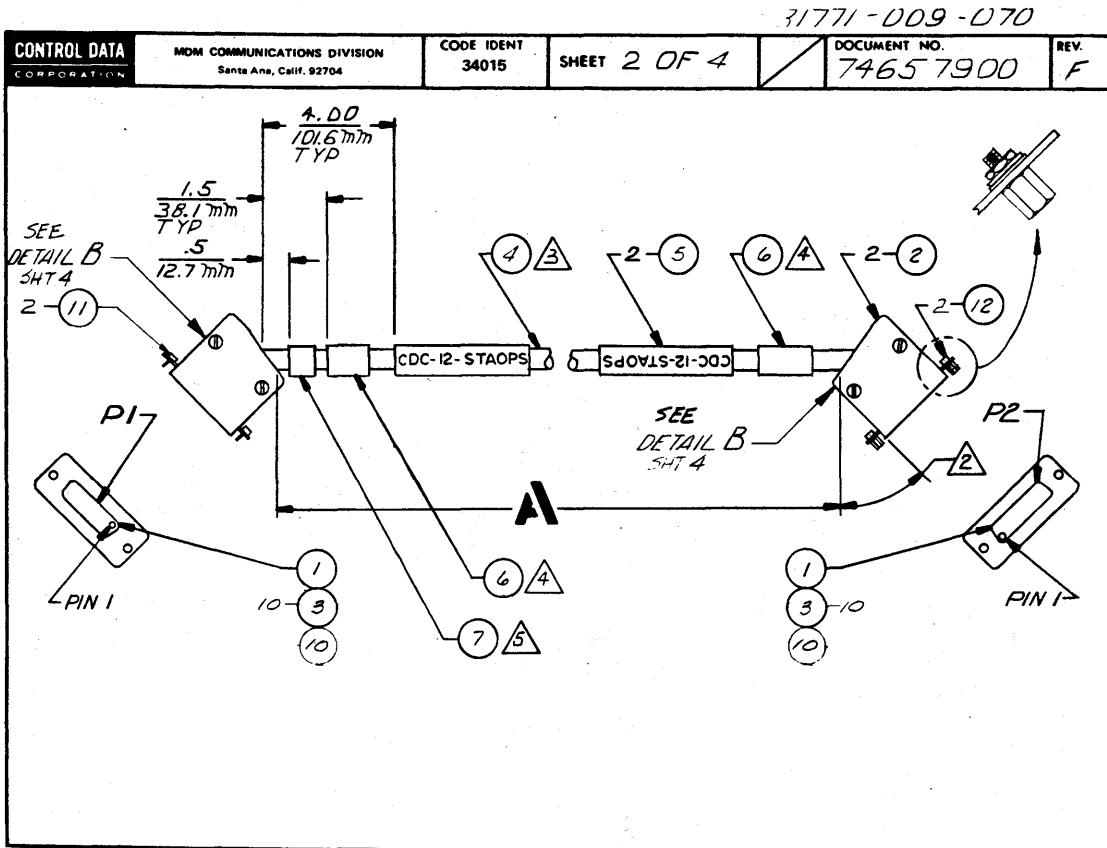
AA6030

NOTES:

WL 74658000	DN 74657900
ASSOC. LISTS	DETACHED LISTS

FORM 19246-01-015-092 DIETERICH-POST CLEARPRINT 1020

PRINTED IN U.S.A.



FORM 19246-00-015-092 DIETERICH-POST CLEARPRINT 1020

PRINTED IN U.S.A.

31771-009-070

COMMUNICATIONS PRODUCTS DIV. Santa Ana, Calif. 92704		CODE IDENT 34015	SHEET 3 OF 4	DOCUMENT NO. 74657900	REV. D
---	--	---------------------	--------------	--------------------------	-----------

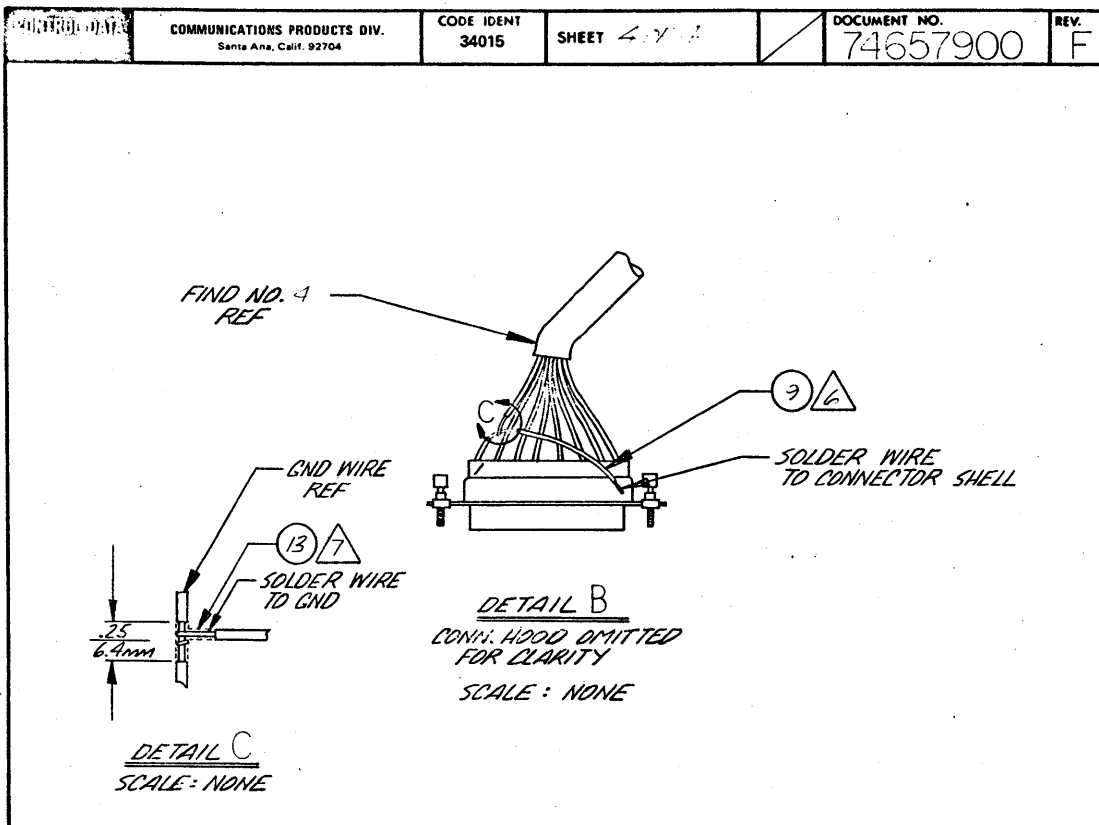
  

CDC NO.	LENGTH		RTN NO.
	FEET ±0.5 FT	METERS ±.15 METERS	
74657900	50.0	15.24	31771

FORM 19245-01-015-092 DIETZ-HIGH-POST CLEARPRINT 1020

PRINTED IN U.S.A.

31771-009-070



FORM 19245-01-015-092 DIETZ-HIGH-POST CLEARPRINT 1020

PRINTED IN U.S.A.

DWH	LEVENTHAL	1/15/74	CONTROL DATA	TITLE	CABLE ASSY ASYNCHRONOUS RS232 TO TERMINAL	PREFIX	DN	DOCUMENT NO.	74657900	REV	F
CHKD			COMMUNICATIONS PRODUCTS DIV. Santa Ana, Ca. 92704	FIRST USED ON	XA135-A						
ENG	D. H. H.	1-15-74	CODE IDENT	34015	31771-009-070						SHEET 1 OF 2
MFG											
APPR											

SHEET REVISION STATUS				REVISION RECORD						
REV	ECO	DESCRIPTION	DRFT	DATE	APP					
00	00	-	ML	10-31-74						
01	01	-	LA	1-2-75						
01	02	05360	OPM	1-10-75						
D	D	06248	LA	3-5-75						
D	E	06707	OPM	1-11-77						
F	F	08139	FLS	1-19-78						

NOTES:

DETACHED LISTS

FORM 19246-01-015-092 DIETERICH-POST CLEARPRINT 1020

PRINTED IN U.S.A.

31771-009-070

CONTROL DATA	MDM COMMUNICATIONS DIVISION Santa Ana, Calif. 92704	CODE IDENT 34015	SHEET 2 OF 2	PREFIX DN	DOCUMENT NO. 74657900	REV. F
--------------	--	---------------------	--------------	--------------	--------------------------	-----------

NOTES:

1. WORKMANSHIP PER CDC-SPEC 10120300.
- ② ANGLE OF CABLE EXITING CONNECTOR HOUSING TO BE 45°.
- ③ SHIELD IS TERMINATED TO THE CONNECTOR SHELL AND PIN 1.
- ④ FIND NUMBER ⑥ TO BE MARKED PER 10121508 WITH PART NUMBER 74657900, CONNECTOR NUMBER P1 OR P2, AND SERIAL NUMBER.
- ⑤ P1 END TO BE COLOR IDENTIFIED BLUE WITH FIND NUMBER ⑦.
- ⑥ STRIP BACK INSULATION AT BOTH ENDS OF WIRE .25(6.4mm).
- ⑦ SLEEVE ALL BARE WIRE USING FIND NO. 13.

FORM 19246-00-015-092 DIETERICH-POST CLEARPRINT 1020

PRINTED IN U.S.A.

# ASSEMBLY PARTS LIST

SPARE CODE  
S = SPARE PARTS  
N = NON SPARE PARTS

74657900	G	CLA	A	CBL AY ASYNC RS232 TO TERMINAL DM	2551	01/29/78	01/29/78	1 / 1	
ASSEMBLY NUMBER	REV	CLASS	DW SZ	ASSEMBLY DESCRIPTION	DESIGN SOURCE	FIRST USAGE	RELEASE DATE	PROCESSING DATE	PAGE NUMBER

MF

FINJ NUMBER	DW SZ	PART NUMBER	QUANTITY	UNIT MEAS.	PART DESCRIPTION	IN/OUT STATUS	CHANGE ORD. NUMBER	DATE EFFECTIVE	MAKE/BUY PART TYPE	PH	RE	SN	W
10	A	15003409	2000	IN	WIRE ELECT, 20 GA, PVC UL 1061	IN			PPP2				N
13	C	24534706	100	IN	SLEEVING ELEC SHRINKABLE BULK	IN			PPP1				N
9	C	24548301	100	IN	WIRE, ELECT, 24 GA, PVC, UL, BLK	IN			PPP5				N
2	A	51892202	200	PC	HOOD CONNECTOR	IN							N
5	A	51904701	200	PC	CABLE LABEL	IN							N
1	C	62013502	200	PC	CONN, SOCKET, HOUSING 25 PIN	IN			PPP4				N
3	A	62013606	1000	PC	SOCKET	IN							N
6	B	73995400	200	PC	NMPLT KIT BLNK SMALL CABLES	IN			PPP4				N
8	A	74658000	REF	PC	WIRE LIST ASYNC RS232 TO TERM	IN			RFE4				N
4	A	74871632	6000	IN	CABLE 9 CONDUCTOR W GA SHIEL	IN	008500		PPP4				N
7	A	74871674	2000	IN	TAPE 3/4 WIDE VINYL CLOTH BLU	IN	008500		PPP4				N
11	A	74873611	200	PC	RETAINER MALE SCREW	IN			PPP4				N
12	C	94288024	200	PC	CONNECTOR LOCKING DEVICE	IN			PPP4				N

NUMBER OF LINE ITEMS = 13  
HIGHEST FINJ NUMBER = 13

PROJECT ENGINEER

ARDEN HILLS

DWN	LEVENTHAL	DATE	CONTROL DATA	TITLE	CABLE ASSY ASYNCHRONOUS RS232 TO 103F MODEM	PREFIX	DOCUMENT NO.	REV
CMB			COMMUNICATIONS PRODUCTS DIV. Santa Ana, Ca. 92704	FIRST USED ON	31773-009-07D		74658300	A
ENG	D. Paul		CODE IDENT			SHEET 1 OF 4		
MFG			34015					
APP								

SHEET REVISION STATUS				REVISION RECORD			
REV	ECO	DESCRIPTION	DRFT	DATE	APP		
4	3	2	1				
-	000000	00	-	PRELIM RELEASE	ML	10-30-74	
-	000001	01	-	REV REVISION STATUS	PPM	3-17-76	
-	000002	02	-	REV QTY FD NO. 4 & 5	LA	1-8-78	
-	000003	03	05360	CL B PRERELEASED	PPM	1-10-75	
-	000004	04	06707	CL II COM. CONTACT CHG	PPM	1-11-77	
	050005	05	08139	FIND NO. 5 WAG 62013601 ADDED: BLK WIRE (GND)	ELG	1-19-78	
A	A	A	A	08063	CLASS "A" RELEASE CBM	TP	1-27-78

**INTER-DIVISIONAL DOCUMENT**  
Changes to this document require approval of all Using Divisions per CDC-STD 1.01.024. CA

AALB30

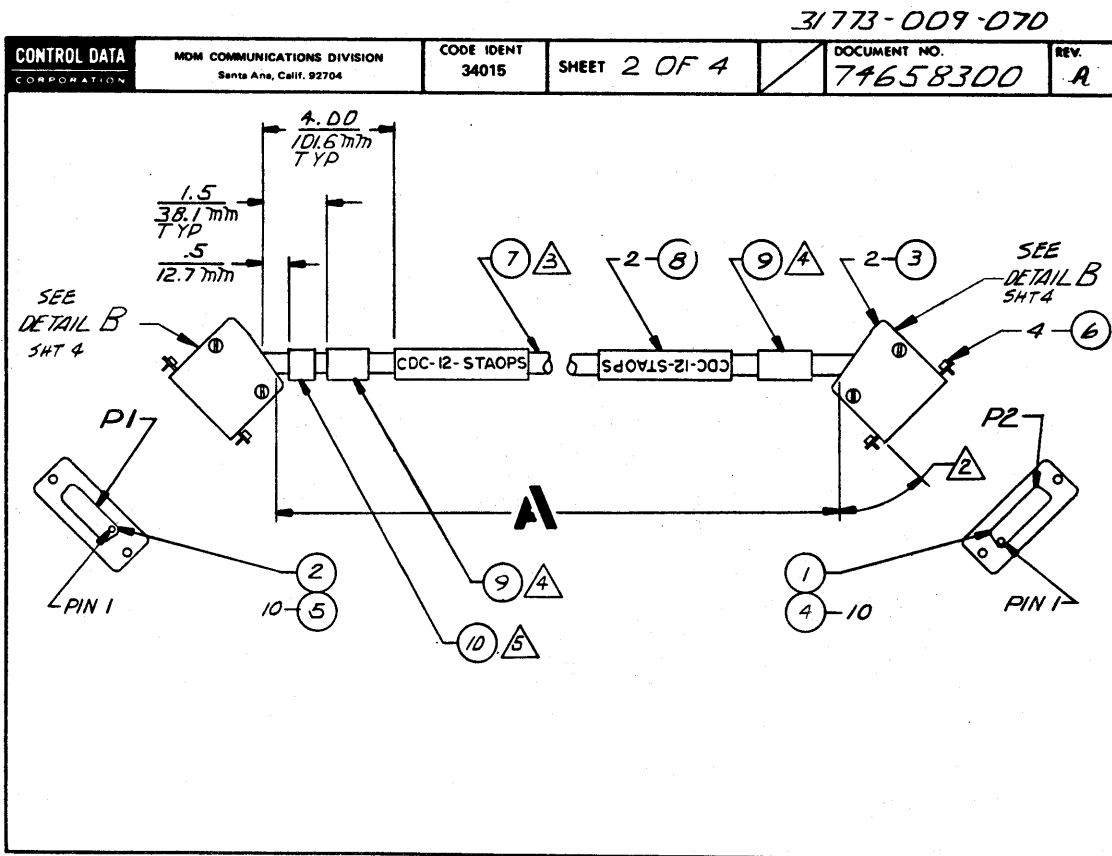
  

NOTES:

DN 74658300  
PL 74658300  
DETACHED LISTS

FORM 19246-01-015-092 DIETRICH-POST CLEARPRINT 1020

PRINTED IN U.S.A.



FORM 19245-00-015-092 DIETRICH-POST CLEARPRINT 1020

PRINTED IN U.S.A.

31773-009-070

MMM COMMUNICATIONS DIVISION Santa Ana, Calif. 92704	CODE IDENT 34015	SHEET 3 OF 4	DOCUMENT NO. 74658300	REV. A
--	---------------------	--------------	--------------------------	-----------

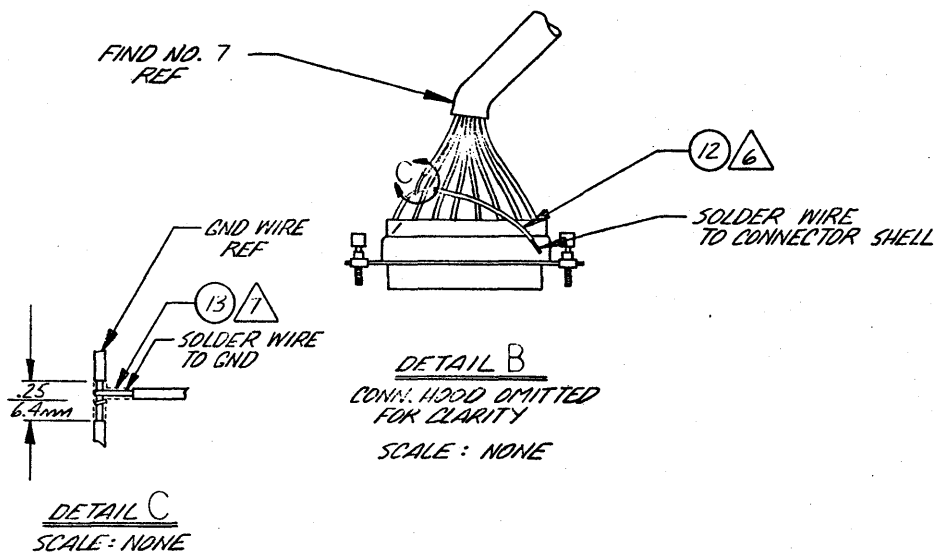
CDC NO.	LENGTH		RTN NO.
	FEET ±0.5 FT	METERS ±.15 METERS	
74658300	50.0	15.24	31773

FORM 19245-00-015-082 DIETRICH-POST CLEARPRINT 1020

PRINTED IN U.S.A.

31773-009-070

COMMUNICATIONS PRODUCTS DIV. Santa Ana, Calif. 92704	CODE IDENT 34015	SHEET 4 OF 4	DOCUMENT NO. 74658300	REV. A
---	---------------------	--------------	--------------------------	-----------



FORM 19245-01-015-082 DIETRICH-POST CLEARPRINT 1020

PRINTED IN U.S.A.

DWN	LEVENTHAL	1/16/74	CONTROL DATA	TITLE	CABLE ASSY ASYNCHRONOUS RS232 TO 103F MODEM	PREFIX	DOCUMENT NO.	REV
CHIB			COMMUNICATIONS PRODUCTS DIV. Santa Ana, Ca. 92704	FIRST USED ON	31773-009-070	DN	74658300	A
ENG	D. Paul	1-15-74	CODE IDENT			SHEET 1 OF 2		
MFG			34015					
APPR								

SHEET REVISION STATUS				REVISION RECORD					
REV	ECO	DESCRIPTION	DRFT	DATE	APP				
00	00	PRELIM RELEASE	ML	10-30-74					
00	01	REV. REVISION STATUS	DPM	12-17-74					
02	02	REV NOTE 3	LA	1-9-75					
02	03	CL B PARERELEASE	DPM	1-10-75					
02	04	CL B CONNL CONTACT CHG	DPM	1-11-75					
05	05	FIND NO. 9 WAS 62013601 ADDED: BLK WIRE (END)	ELB	1-19-75					
A	A	A	08063	CLASS "A" RELEASE CBM	TP	1-27-75			

NOTES:

DETACHED LISTS

FORM 19248-01-015-082 DIETERICH-POST CLEARPRINT 1020

PRINTED IN U.S.A.

31773-009-070

CONTROL DATA	MDM COMMUNICATIONS DIVISION Santa Ana, Calif. 92704	CODE IDENT 34015	SHEET 2 OF 2	DOCUMENT NO. DN 74658300	REV. A
--------------	--	---------------------	--------------	-----------------------------	-----------

NOTES:

1. WORKMANSHIP PER CDC-SPEC 10120300.
2. ANGLE OF CABLE EXITING CONNECTOR HOUSING TO BE 45°.
3. SHIELD IS TERMINATED TO THE CONNECTOR SHELL & PIN 1.
4. FIND NUMBER (9) TO BE MARKED PER 10121508 WITH PART NUMBER 74658300, CONNECTOR NUMBER P1 OR P2, AND SERIAL NUMBER.
5. P1 END TO BE COLOR IDENTIFIED BLUE WITH FIND NUMBER (10).
6. STRIP BACK INSULATION AT BOTH ENDS OF WIRE .25 (6.4mm).
7. SLEEVE ALL BARE WIRE USING FIND NO. 13.

FORM 19248-00-015-082 DIETERICH-POST CLEARPRINT 1020

PRINTED IN U.S.A.





# ASSEMBLY PARTS LIST

SPARE CODE  
S = SPARE PARTS  
N = NON SPARE PARTS

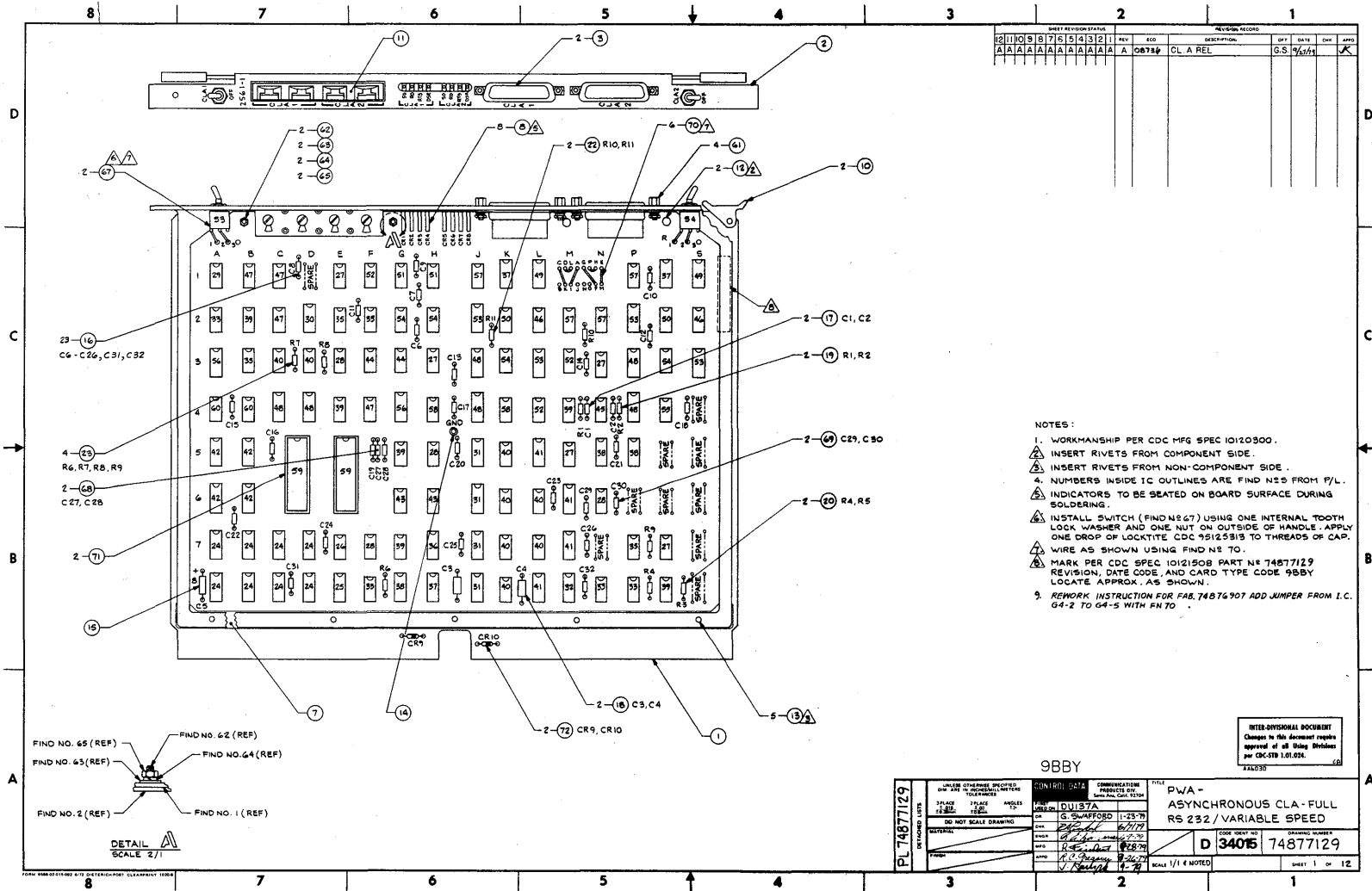
74658300	A	CLA	A	CRL AY ASYNCH RS232 TO 103F MU DM	2551	01/29/78	01/29/78	1 / 1	
ASSEMBLY NUMBER	REV	CLASS	DW SZ	ASSEMBLY DESCRIPTION	DESIGN SOURCE	FIRST USAGE	RELEASE DATE	PROCESSING DATE	PAGE NUMBER

MF

FIND NUMBER	DW SZ	PART NUMBER	QUANTITY	UNIT MEAS.	PART DESCRIPTION	IN/OUT STATUS	CHANGE ORD. NUMBER	DATE EFFECTIVE	MAKE/BUY PART TYPE	QTY ON HND
13	C	24534706	1	IN	SLEEVING ELEC SHRINKABLE BULK	IN			PPP1	N
12	C	24548301	3	IN	WIRE/ELECT, 24 GA, PVC, UL, BLK	IN			PPP5	N
3	A	51892202	2	PC	HOOD CONNECTOR	IN				N
8	A	51904701	2	PC	CAHLE LABLE	IN				N
2	C	62013502	1	PC	CONN, SOCKET, HOUSING 25 PIN	IN			PPP4	N
5	A	62013606	10	PC	SOCKET	IN				N
1	A	62013702	1	PC	CONN PIN HOUSING 25 PIN	IN			PPP4	N
4	A	62013801	10	PC	CONTACT PIN	IN			PPP4	N
9	B	73995500	2	PC	NMPLT KIT BLNK LANGE CABLES	IN			PPP4	N
11	A	74658400	DEF	PC	WIRE LIST ASYNC RS232 TO 103F	IN				N
7	A	74871633	600	IN	CABLE 13 CONDUCTOR W OA SHIEL	IN	008500		PPP4	N
10	A	74871674	14	IN	TAPE 3/4 WIDE VINYL CLOTH BLU	IN	008500		PPP4	N
6	A	74873611	400	PC	RETAINER MALE SCREW	IN			PPP4	N

NUMBER OF LINE ITEMS = 13  
HIGHEST FIND NUMBER = 13

PROJECT ENGINEER ARDEN HILLS



SHEET REVISION STATUS													REVISION RECORD			
REV	NO	DATE	BY	APP	DESCRIPTION	QTY	DATE	CHK	APP							
A	08719				CL A REL											

- NOTES:
1. WORKMANSHIP PER CDC MFG SPEC 10120900.
  2. INSERT RIVETS FROM COMPONENT SIDE.
  3. INSERT RIVETS FROM NON-COMPONENT SIDE.
  4. NUMBERS INSIDE IC OUTLINES ARE FIND NOS FROM P/L.
  5. INDICATORS TO BE BEATED ON BOARD SURFACE DURING SOLDERING.
  6. INSTALL SWITCH (FIND N67) USING ONE INTERNAL TOOTH LOCK WASHER AND ONE NUT ON OUTSIDE OF HANDLE. APPLY ONE DROP OF LOCKITE CDC 95125B15 TO THREADS OF CAP.
  7. WIRE AS SHOWN USING FIND NS TO.
  8. MARK PER CDC SPEC 10121508 PART N 74877129 REVISION, DATE CODE, AND CARD TYPE CODE 98BY LOCATE APPROX. AS SHOWN.
  9. REWORK INSTRUCTION FOR FAB. 74874907 ADD JUMPER FROM I.C. G4-2 TO G4-5 WITH PN TO.

INTER-OFFICIAL DOCUMENT  
Changes in this document require approval of all filing activities per CDC-STR 1.01.004.  
212335

UNLESS OTHERWISE SPECIFIED, DIMENSIONS ARE IN MILLIMETERS (IN PARENTHESES)	FINISH	ANGLE	DATE	BY	APP	DESCRIPTION	QTY
	DO NOT SCALE DRAWING						
PL 74877129		PWA-ASYNCHRONOUS CLA-FULL RS 232 / VARIABLE SPEED		D 34015		74877129	
SCALE 1/4" = 1"		SHEET 1 OF 12					



# ASSEMBLY PARTS LIST

SPARE CODE  
S = SPARE PARTS  
N = NON SPARE PARTS

7-877129	A	CLA	J	PMA-ASYNC ULA RS232 VAR	UA	2551-2	J9/26/79	09/26/79	1 / 2
ASSEMBLY NUMBER	REV	CLASS	DW	ASSEMBLY DESCRIPTION	DESIGN SOURCE	FIRST USAGE	RELEASE DATE	PROCESSING DATE	PAGE NUMBER

MF

FIND NUMBER	DW	PART NUMBER	QUANTITY	UNIT MEAS.	PART DESCRIPTION	IN/OUT STATUS	CHANGE ORD. NUMBER	DATE EFFECTIVE	MAKE/BUY PART TYPE	SPARE CODE
62	A	J9J003J5	200	PC	SQR MACH FLAT FHL H NU. 2	IN			PPP4	N
65	A	J11251J2	200	PC	HEXAGON MACHINE SCREW NUTS	IN			PPP3	N
63	A	J11298J2	200	PC	PLAIN WASHERS	IN			PPP3	N
64	A	J11298J2	200	PC	SPRING LOCK WASHERS (MEU.)	IN			PPP3	N
92	A	15111400	300	PC	INTEGRATED CIRCUIT 74LS1	IN			PPP4	N
39	A	15112300	000	PC	INT UKT 74LJ2	IN			PPP4	N
27	E	15112700	300	PC	INT UKT 74LJ4	IN			PPP4	N
29	A	15110000	100	PC	INTEGRATED CIRCUIT 74L02	IN			PPP4	N
41	A	15117000	400	PC	IC-SYNG 4 BIT COUNTER 74163	IN			PPP4	N
59	A	15129700	200	PC	I.C. TRIG2A UNIV. ASYNCHRON	IN			PPP4	N
45	A	15134200	100	PC	IC QUAD EXCL ORNDR 4J3U	IN			PPP4	N
24	A	15142800	000	PC	IC 74251	IN			PPP4	N
28	A	15142900	400	PC	MICROCIRCUIT TYPE 74L10 TTL 3	IN			PPP4	N
55	A	15143000	100	PC	MICROCIRCUIT TYPE 74L20 TTL JU	IN			PPP4	N
9J	A	15143100	200	PC	MICROCIRCUIT TYPE 74L30 TTL 8	IN			PPP4	N
43	A	15143200	200	PC	IC 74LS4 TTL 4-ND AND/OR INVRT	IN			PPP4	N
31	A	15143600	400	PC	MICROCIRCUIT TYPE 93L12	IN			PPP4	N
96	A	15143700	200	PC	MICROCIRCUIT TYPE 5L24 UL JK F	IN			PPP4	N
48	A	15144000	000	PC	MICROCIRCUIT TYPE 74LS9 + 3IT	IN			PPP4	N
98	A	15150000	200	PC	IC 74LS5 J	IN			PPP4	N
47	A	15156100	400	PC	IC 74LS74 J	IN			PPP4	N
30	A	15158200	100	PC	IC 9300 74195	IN			PPP4	N
51	A	15161300	200	PC	I.C. Type 7405 TTL-HEX INVERT.	IN			PPP4	N
32	C	15163327	100	PC	IC 9321 TTL DUAL DECODER	IN			PPP4	N
42	A	17184000	400	PC	IC 74LS02 4BIT MAGNETIC COMPTRK	IN			PPP4	N
16	C	19115400	200	PC	CAPACITOR, FIXED, CERAMIC, 50VDC, 100PF	IN			PPP4	N
18	L	191154J1	200	PC	CAP. FIXED CERAMIC 50VDC .1MFD	IN			PPP4	N
23	C	24500063	200	PC	RES FXD .25M 470 OHMS	IN			PPP4	N
23	C	24500063	400	PC	RES FXD .25M 100 OHMS	IN			PPP4	N
19	C	2450008J	200	PC	RES FXD .25M 200 OHMS	IN			PPP4	N
22	C	24500082	200	PC	RES FXD .25M 200 OHMS	IN			PPP4	N
72	C	24519100	200	PC	RECTIFIER SILICON 75J MA	IN			PPP4	N
54	A	36186400	400	PC	IC CHIP, TYPE 1488	IN			PPP4	N
57	A	36186501	400	PC	IC CHIP, TYPE 1489	IN			PPP4	N
14	A	38807901	100	PC	TERMINAL HOLLOW SINGLE ENCL 105	IN			PPP3	N
33	B	39389700	300	PC	INT UKT 7404	IN			PPP4	N

AA 2708 REV. 7-75

PROJECT ENGINEER

SANTA ANA

Printed in U.S.A.



# ASSEMBLY PARTS LIST

SPARE CODE  
S = SPARE PARTS  
N = NON SPARE PARTS

7-877129	A	CLA	J	PMA-ASYNC ULA RS232 VAR	UA	2551-2	J9/26/79	J9/26/79	2 / 2
ASSEMBLY NUMBER	REV	CLASS	DW	ASSEMBLY DESCRIPTION	DESIGN SOURCE	FIRST USAGE	RELEASE DATE	PROCESSING DATE	PAGE NUMBER

MF

FIND NUMBER	DW	PART NUMBER	QUANTITY	UNIT MEAS.	PART DESCRIPTION	IN/OUT STATUS	CHANGE ORD. NUMBER	DATE EFFECTIVE	MAKE/BUY PART TYPE	SPARE CODE
71	A	51650103	200	PC	SOCKET, IC, PC TYPE 40 PIN	IN			PPP4	N
3	A	51873411	200	PC	CONN, PC RIGHT ANGLE 25 PIN	IN			PPP4	N
40	A	52335500	000	PC	ADJUST. TEST SHIFT REG. 4817+35	IN			PPP4	N
70	C	52629925	500	IN	WIRE 26AWG KYNAR GREEN	IN			PPP3	N
44	A	65259399	200	PC	MICROCIRCUIT TYPE 7400 (SPEU)	IN			PPP4	N
15	A	72J3616	100	PC	CAPACITOR 10 VF 15V TANT	IN			PPP4	N
2	C	746187J2	100	PC	HANDLE SLKSRNG ASYNCH ULA	IN			ATV4	N
7	C	746327J0	100	PC	INSULTR CRG STIFFENER	IN			PPP4	N
53	A	74870525	400	PC	CAP ARRAY 22J FF	IN			PPP4	N
8	A	74870540	500	PC	INTEGRATOR LEU	IN			PPP4	N
10	A	74870632	200	PC	EJECTOR UKT CARD AMT NYLON	IN			PPP4	N
67	A	74872299	200	PC	SWITCH LOCKNG TOGGLE 1 THRU 4 P	IN			PPP4	N
10	A	74876907	100	PC	PMD ASYNCH ULA RS232 VARIABLE	IN			PPP4	N
11	A	74878101	100	PC	SWITCH THUMBHOLE HEX COMPLI	IN			PPP4	N
60	A	75009943	200	PC	RES PKG 10 0K OHMS	IN			PPP4	N
17	A	77612383	200	PC	CAPACITOR 10GPF 50V 5PC1	IN			PPP4	N
66	A	77612387	200	PC	CAPACITOR CERAMIC AXIAL	IN			PPP4	N
69	A	77612393	200	PC	CAPACITOR 000PF 50V 5PC1	IN			PPP4	N
25	A	888617J0	100	PC	IC 6214 TTL DUAL 4/1 MUX	IN			PPP4	N
36	A	888628J0	100	PC	IC 7417+ TTL HEX D F/F W/CLEAR	IN			PPP4	N
49	A	888629J0	200	PC	IC 74175 TTL QUAD C F/F W/CLR	IN			PPP4	N
38	A	888634J0	300	PC	IC 9024 TTL DUAL FLIP/FLOP	IN			PPP4	N
46	A	888637J0	200	PC	IC 7406 TTL QUAD 2-IN EXCL OR	IN			PPP4	N
37	A	88864000	300	PC	IC 74137 TTL QUAD 2-INPUT MUX	IN			PPP4	N
35	A	88867000	300	PC	IC 7408 TTL QUAD 2-INPUT AND	IN			PPP4	N
12	A	92030017	200	PC	EYELET	IN			PPP4	N
13	A	92030019	200	PC	EYELET	IN			PPP4	N
61	C	94288024	400	PC	CONNECTOR LOCKING DEVICE	IN			PPP4	N
26	A	96744154	100	PC	IC 7403 TTL QUAD 2-IN POS NAND	IN			PPP4	N

NUMBER OF LINE ITEMS = 05  
HIGHEST FIND NUMBER = 72

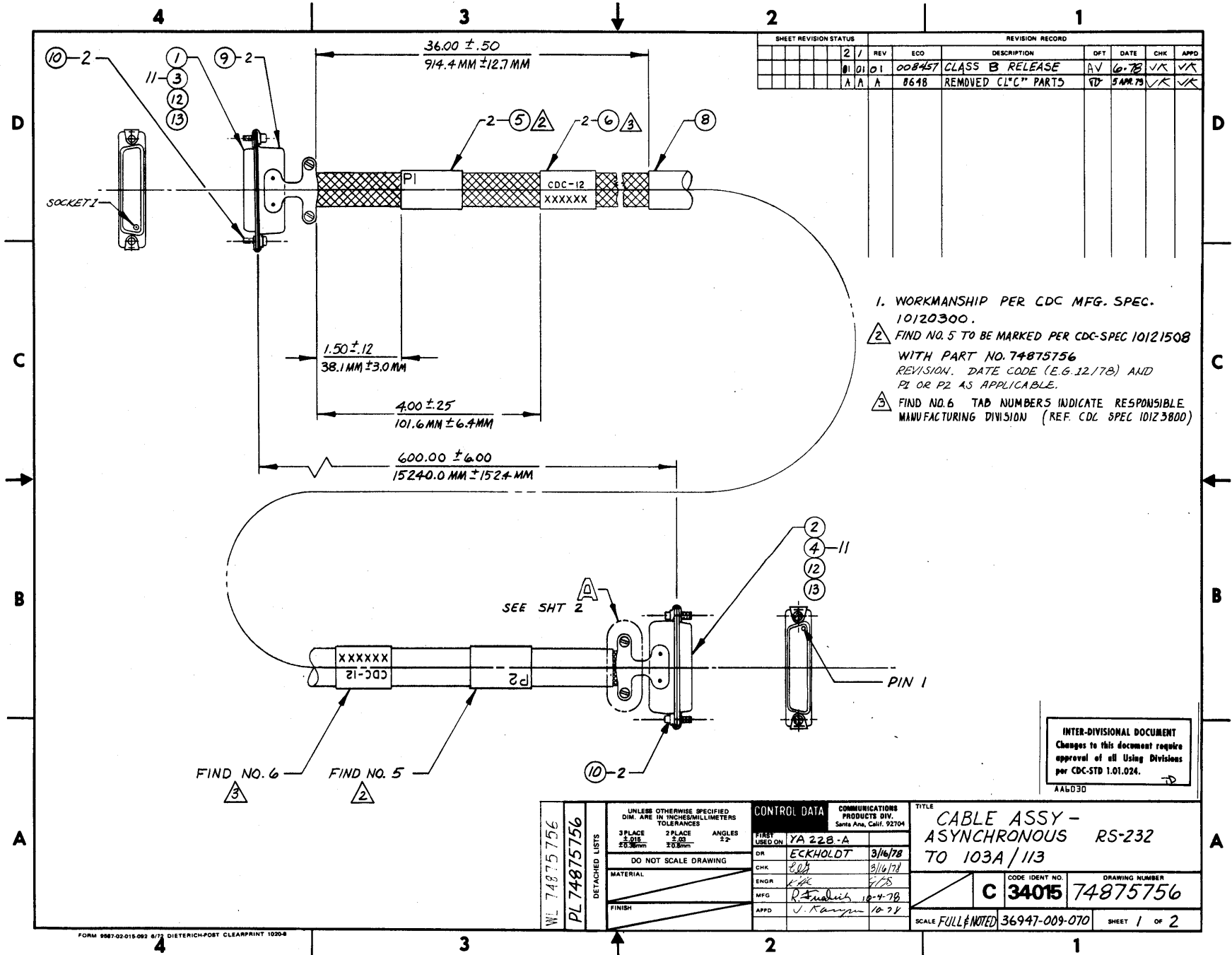
AA 2708 REV. 7-75

PROJECT ENGINEER

SANTA ANA

Printed in U.S.A.



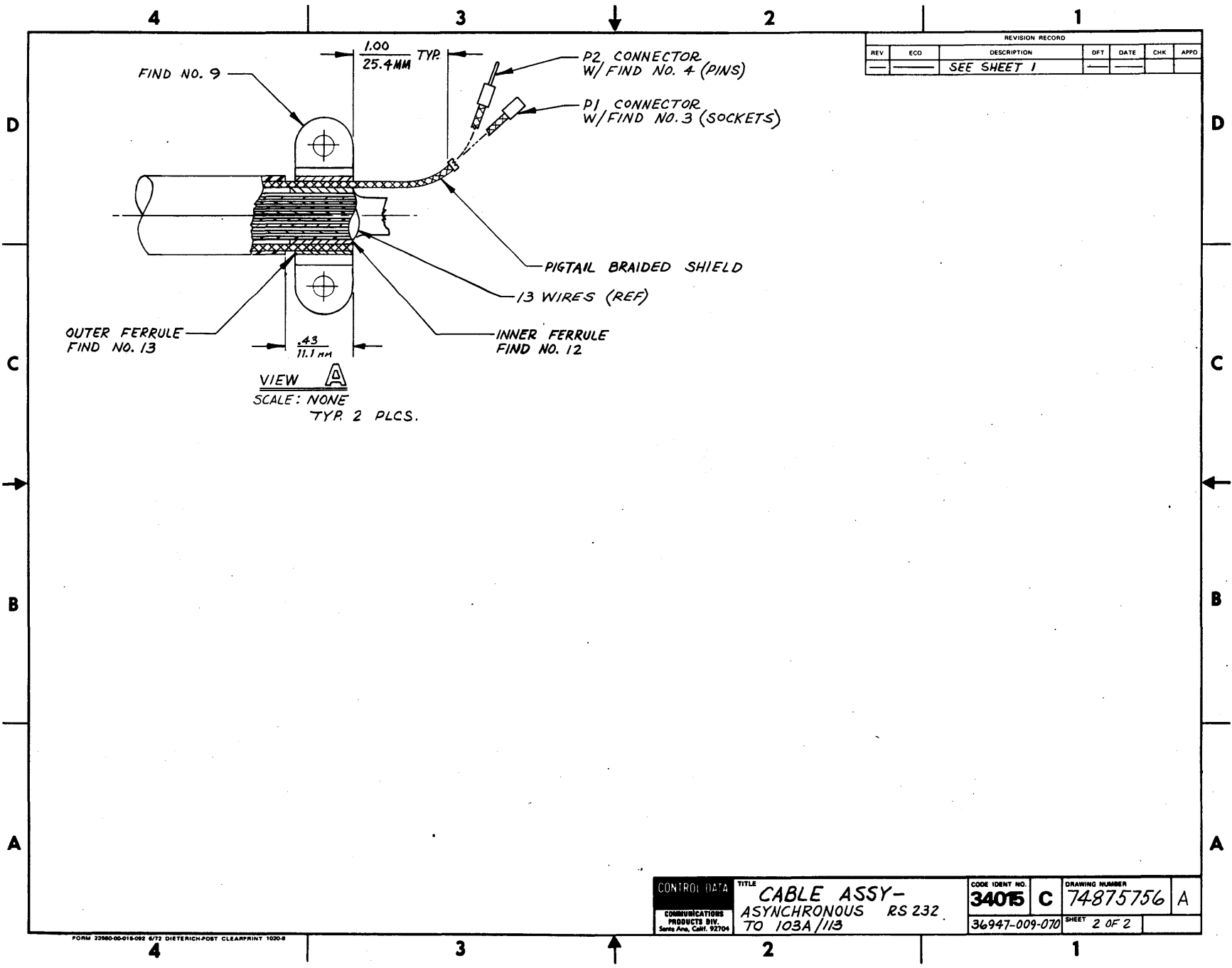


SHEET REVISION STATUS				REVISION RECORD			
REV	ECO	DESCRIPTION	DFT	DATE	CHK	APPD	
2	1	REV					
01	01	008457 CLASS B RELEASE	AV	6-78	✓	✓	
A	A	8648 REMOVED CLC PARTS	TD	3 APR 79	✓	✓	

- 1. WORKMANSHIP PER CDC MFG. SPEC. 10120300.
- 2. FIND NO. 5 TO BE MARKED PER CDC-SPEC 10121508 WITH PART NO. 74875756 REVISION. DATE CODE (E.G. 12/78) AND P1 OR P2 AS APPLICABLE.
- 3. FIND NO. 6 TAB NUMBERS INDICATE RESPONSIBLE MANUFACTURING DIVISION (REF. CDC SPEC 10123800)

INTER-DIVISIONAL DOCUMENT  
 Changes to this document require approval of all Using Divisions per CDC-STD 1.01.024.

UNLESS OTHERWISE SPECIFIED DIM. ARE IN INCHES/MILLIMETERS TOLERANCES	3 PLACE	2 PLACE	ANGLES	CONTROL DATA		COMMUNICATIONS PRODUCTS DIV. Santa Ana, Calif. 92704	TITLE
	±.015 ±0.38mm	±.01 ±0.25mm	2°	FIRST USED ON	YA 22B-A		CABLE ASSY - ASYNCHRONOUS RS-232 TO 103A/113
DO NOT SCALE DRAWING	MATERIAL		FINISH	DR	ECKHOLDT	3/16/78	
				CHK	COB	3/16/78	
				ENGR	KK	6/78	
				MFG	R. F. Smith	10-4-78	
				APPD	J. Karpman	10-7-78	
				CODE IDENT NO.	C 34015	DRAWING NUMBER	74875756
				SCALE	FULL & NOTED	36947-009-070	SHEET 1 OF 2



CONTROL DATA COMMUNICATIONS PRODUCTS DIV. Sunnyvale, Calif. 94704	TITLE	CODE IDENT NO.	DRAWING NUMBER
	CABLE ASSY- ASYNCHRONOUS RS 232 TO 103A/113	34015 C	74875756 A
		36947-009-070	SHEET 2 OF 2



# ASSEMBLY PARTS LIST

SPARE CODE  
S = SPARE PARTS  
N = NON SPARE PARTS

74R75756	A	CLA	A	CARLE ASSY ASYNC R5232-103A	DM	2551	02/30/78	04/10/79	1 / 1
ASSEMBLY NUMBER	REV	CLASS	DW SZ	ASSEMBLY DESCRIPTION	DESIGN SOURCE	FIRST USAGE	RELEASE DATE	PROCESSING DATE	PAGE NUMBER

FIND NUMBER	DW SZ	PART NUMBER	QUANTITY	UNIT MEAS.	PART DESCRIPTION	IN/OUT STATUS	CHARGE ORD. NUMBER	DATE EFFECTIVE	MAKE/BUY PART TYPE	PH RC	5 ON N
6	A	10123801	200	PC	LARFI, CARLE MARKING	IN	008648	040979			N
6	A	10123835	200	PC	LARFI CARLE MAR CNC 12 STAOPS	IN	008648	040979			N
2	A	15165361	60000	IN	CARIF SHIELDED 13COND 24AWG	IN	008648	040979			N
0	C	36183207	200	PC	CLAMP CARLE 2*109 GOLD IRIDITE	IN					N
5	C	51904701	200	PC	CARIF LARLE	IN			PPP4		N
1	C	62013502	100	PC	CONN. SOCKET HOUSING 25 PIN	IN			PPP4		N
3	A	62013606	1100	PC	SOCKET	IN			PPP4		N
2	A	62013702	100	PC	CONN PIN HOUSING 25 PIN	IN			PPP4		N
4	A	62013801	1100	PC	CONTACT PIN	IN			PPP4		N
10	A	74R73611	400	PC	RETAINER MALE SCREW	IN			PPP4		N
12	A	74R74794	200	PC	FERRULE INNER	IN			PPP4		N
13	A	74R74795	200	PC	FERRULE OUTER	IN			PPP4		N

NUMBR OF LINE ITEMS = 12  
HIGHEST FIND NUMBR = 13

PROJECT ENGINEER

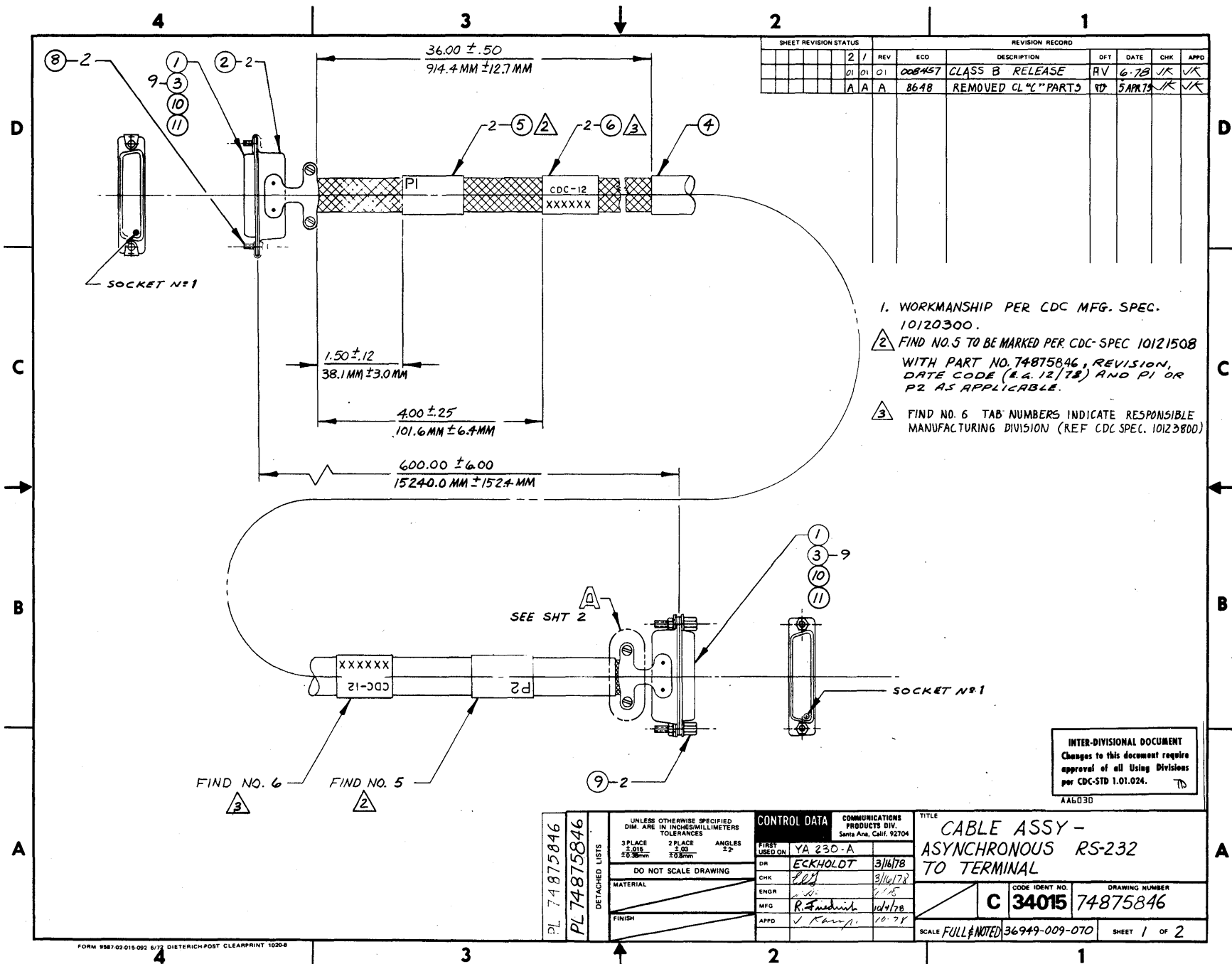
SANTA ANA

AA 2709 REV. 7-75

Printed in U.S.A.





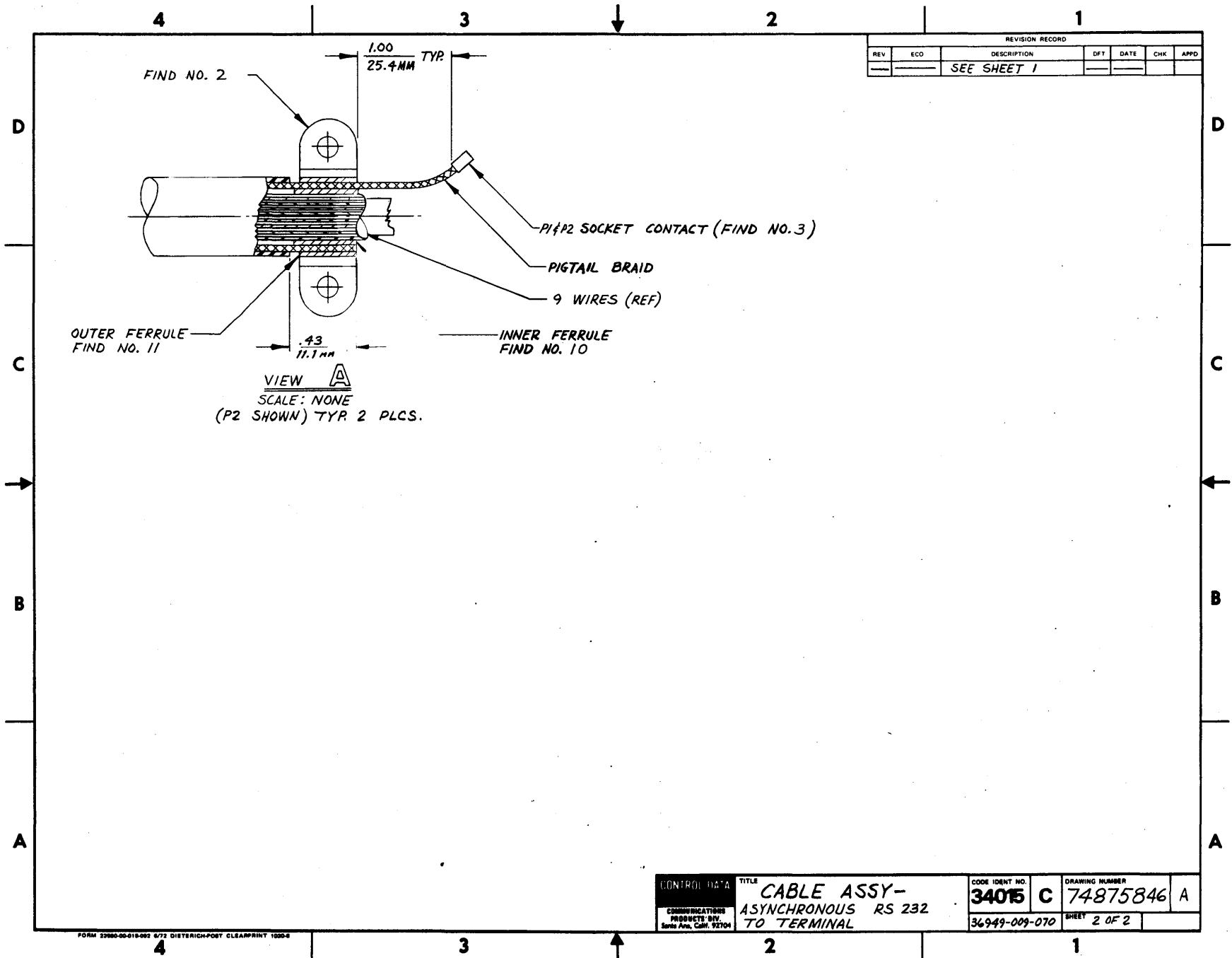


SHEET REVISION STATUS				REVISION RECORD						
REV	ECO	DESCRIPTION	DFT	DATE	CHK	APPD				
2	1	REV								
01	01	01	008457	CLASS B RELEASE	RV	6-78	JK	JK		
A	A	A	8648	REMOVED CL "C" PARTS	TD	5/17/78	JK	JK		

- 1. WORKMANSHIP PER CDC MFG. SPEC. 10120300.
- 2. FIND NO. 5 TO BE MARKED PER CDC-SPEC 10121508 WITH PART NO. 74875846, REVISION, DATE CODE (E.G. 12/78) AND PI OR P2 AS APPLICABLE.
- 3. FIND NO. 6 TAB NUMBERS INDICATE RESPONSIBLE MANUFACTURING DIVISION (REF CDC SPEC. 10129800)

INTER-DIVISIONAL DOCUMENT  
Changes to this document require approval of all Using Divisions per CDC-STD 1.01.024. TD

PL 74875846 PL 74875846 DETACHED LISTS	UNLESS OTHERWISE SPECIFIED DIM. ARE IN INCHES/MILLIMETERS TOLERANCES			CONTROL DATA		COMMUNICATIONS PRODUCTS DIV. Santa Ana, Calif. 92704		TITLE	
	3 PLACE ±.015 ±0.38mm	2 PLACE ±.03 ±0.76mm	ANGLES ±2°	FIRST USED ON	YA 230-A	DR	ECKHOLOT	3/16/78	CABLE ASSY - ASYNCHRONOUS RS-232 TO TERMINAL
DO NOT SCALE DRAWING			CHK	JK	3/16/78	ENGR	JK	3/16/78	CODE IDENT NO. C 34015
MATERIAL			MFG	R. Friedrich	10/4/78	DRAWING NUMBER 74875846		SCALE FULL & NOTED 36949-009-070	
FINISH			APPD	J. Kamp	10-78	SHEET 1 OF 2			



REVISION RECORD						
REV	ECO	DESCRIPTION	DFT	DATE	CHK	APPD
		SEE SHEET 1				

CONTROL DATA COMMUNICATIONS PRODUCTS DIV. Sunnyvale, Calif. 95704	TITLE	CODE IDENT NO.	DRAWING NUMBER
	CABLE ASSY- ASYNCHRONOUS RS 232 TO TERMINAL	34015 C	74875846 A
		36949-009-070	SHEET 2 OF 2

# ASSEMBLY PARTS LIST

SPARE CODE  
S = SPARE PARTS  
N = NON SPARE PARTS

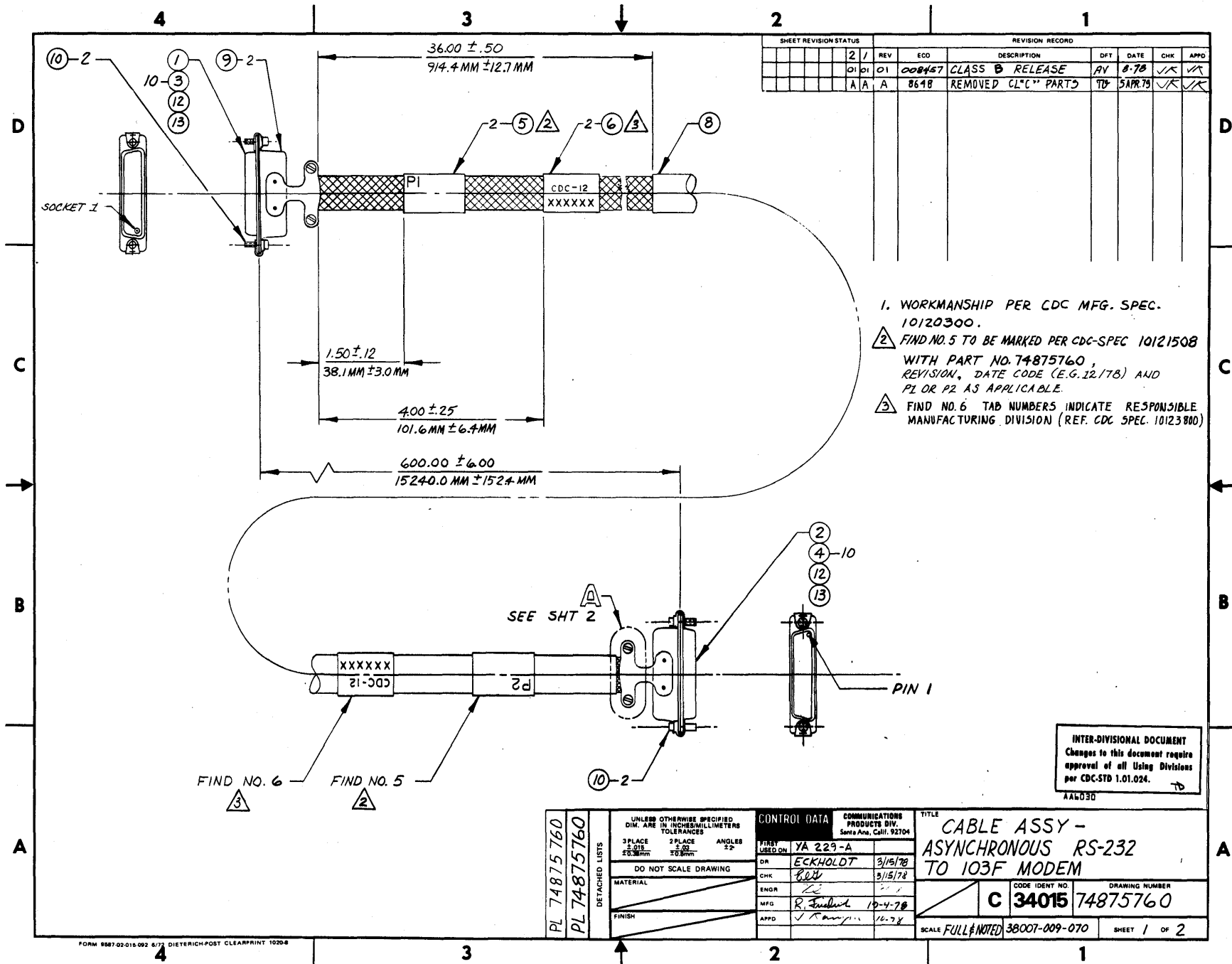
74R75H46	A	CLA	A	CARIE ASSY ASYNC RS232 TO TDM	DM	2551	08/30/78	04/10/79	1 / 1
ASSEMBLY NUMBER	REV	CLASS	DW SZ	ASSEMBLY DESCRIPTION	DESIGN SOURCE	FIRST USAGE	RELEASE DATE	PROCESSING DATE	PAGE NUMBER

FIND NUMBER	DW SZ	PART NUMBER	QUANTITY	UNIT MEAS.	PART DESCRIPTION	IN/OUT STATUS	CHANGE ORD. NUMBER	DATE EFFECTIVE	MAKE/BUY PART TYPE	PN NC	S OR N
A	A	10123R01	200	PC	LABEL CARIE MARKING	IN	008648	040970			N
A	A	10123R35	200	PC	LABEL CARIE MAR CDC 12 STAOPS	IN	008648	040970			N
4	A	15165360	60000	IN	CARIE SHIELDED 9 COND 24AWG	IN	008648	040970			N
13	C	24548310	200	IN	WIPE ELEC STRD TNS. UL APPD	IN			PPP4		N
2	C	36183207	200	PC	CLAMP CARIE 2.109 GOLD TRIDITE	IN			PPP4		N
5	A	51904701	200	PC	CARIE LABEL	IN			PPP4		N
1	C	62013502	200	PC	CONN. SOCKET HOUSING 25 PIN	IN			PPP4		N
3	A	62013606	1000	PC	SOCKET	IN			PPP4		N
8	A	74873611	200	PC	RETAINER MALE SCREW	IN			PPP4		N
10	A	74874704	200	PC	FERRULE INNER	IN			PPP4		N
11	A	74874705	200	PC	FERRULE OUTER	IN			PPP4		N
9	C	74268024	200	PC	CONNECTOR LUCKING DEVICE	IN	008648	040970	PPP4		N

NUMBER OF LINE ITEMS = 12  
HIGHEST FIND NUMBER = 13

PROJECT ENGINEER  
SANTA ANA



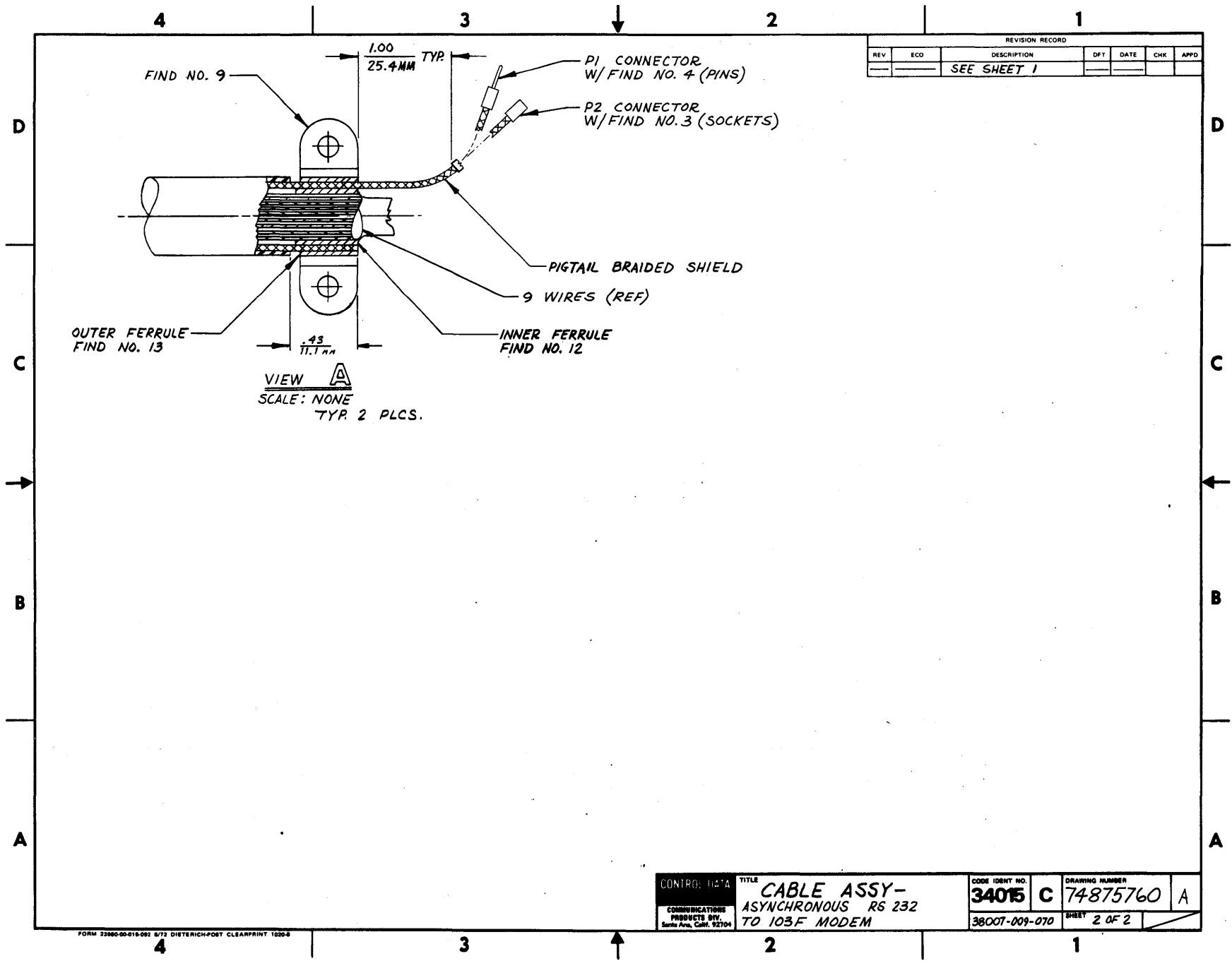


SHEET REVISION STATUS				REVISION RECORD				
REV	ECO	DESCRIPTION	DFT	DATE	CHK	APPD		
2	1	REV	ECO	DESCRIPTION	DFT	DATE	CHK	APPD
DI	DI	008457	CLASS B RELEASE	AV	8-78	✓	✓	
AI	A	8648	REMOVED CLC PARTS	TD	5 APR 79	✓	✓	

- 1. WORKMANSHIP PER CDC MFG. SPEC. 10120300.
- 2. FIND NO. 5 TO BE MARKED PER CDC-SPEC 10121508 WITH PART NO. 74875760, REVISION, DATE CODE (E.G. 22/78) AND P1 OR P2 AS APPLICABLE.
- 3. FIND NO. 6 TAB NUMBERS INDICATE RESPONSIBLE MANUFACTURING DIVISION (REF. CDC SPEC. 10123800)

INTER-DIVISIONAL DOCUMENT  
Changes to this document require approval of all Using Divisions per CDC-STD 1.01.024.  
446030

PL 74875760 PL 74875760 DETACHED LISTS	UNLESS OTHERWISE SPECIFIED, DIM. ARE IN INCHES/MILLIMETERS TOLERANCES			CONTROL DATA		COMMUNICATIONS PRODUCTS DIV. Santa Ana, Calif. 92704		TITLE	
	3 PLACE ±.015 ±.015 ±.015	2 PLACE ±.02 ±.02 ±.02	ANGLES 2°	FILED USED ON	DR	CHK	ENGR	MFG	APPD
	DO NOT SCALE DRAWING			YA 229-A	ECKHOLDT	3/15/78	3/15/78	R. Finkler	10-4-78
	MATERIAL			FINISH	✓	✓	✓	✓	✓
DRAWING NUMBER		CODE IDENT NO.		SCALE FULL & NOTED		SHEET 1 OF 2		DRAWING NUMBER	
74875760		C 34015		38007-009-070		1		74875760	



REVISION RECORD						
REV	ECD	DESCRIPTION	DFT	DATE	CHK	APPD
—	—	SEE SHEET 1	—	—	—	—

CONTROL: DATA	TITLE <b>CABLE ASSY- ASYNCHRONOUS RS 232 TO 103F MODEM</b>	CODE IDENT NO. <b>34015 C</b>	DRAWING NUMBER <b>74-875760 A</b>
COMMUNICATIONS PRODUCTS DIV. SANTA ANA, CALIF. 92704		38007-009-070	SHEET 2 OF 2

# ASSEMBLY PARTS LIST

SPARE CODE  
S = SPARE PARTS  
N = NON SPARE PARTS

74874760	A	CLA	A	CARIE ASSYASYNC RS232-103F	DM	2551	08/30/78	04/10/79	1 / 1
ASSEMBLY NUMBER	REV	CLASS	DW 52	ASSEMBLY DESCRIPTION	DESIGN SOURCE	FIRST USAGE	RELEASE DATE	PROCESSING DATE	PAGE NUMBER

FIND NUMBER	DW 52	PART NUMBER	QUANTITY	UNIT MEAS.	PART DESCRIPTION	IN/OUT STATUS	CHANGE ORD. NUMBER	DATE EFFECTIVE	MAKE/BUY PART TYPE	PR NC	OR IN
A		10123801	200	PC	LABEL + CARIE MARKING	IN	008648	040970			N
A		10123835	200	PC	LABEL CARIE MAR CDC 12 STAMPS	IN	008648	040970			N
B		15165360	40000	IN	CARIE SHIELDED 9 COND 24AWG	IN	008648	040970			N
9	C	36183207	200	PC	CLAMP CARIE 2*109 GOLD IRIDITE	IN			PPP4		N
5		51904701	200	PC	CARIE LABEL	IN			PPP4		N
1	C	62013502	100	PC	CONN. SOCKET + HOUSING 25 PIN	IN			PPP4		N
3	A	62013606	1000	PC	SOCKET	IN	008457	091878	PPP4		N
2	A	62013702	100	PC	CONN PIN HOUSING 25 PIN	IN			PPP4		N
4	A	62013801	1000	PC	CONTACT PTN	IN	008457	091878	PPP4		N
10	A	74873611	400	PC	RETAINER MALE SCREW	IN			PPP4		N
12	A	74874794	200	PC	FERRULE INNER	IN			PPP4		N
13	A	74874795	200	PC	FERRULE OUTER	IN			PPP4		N

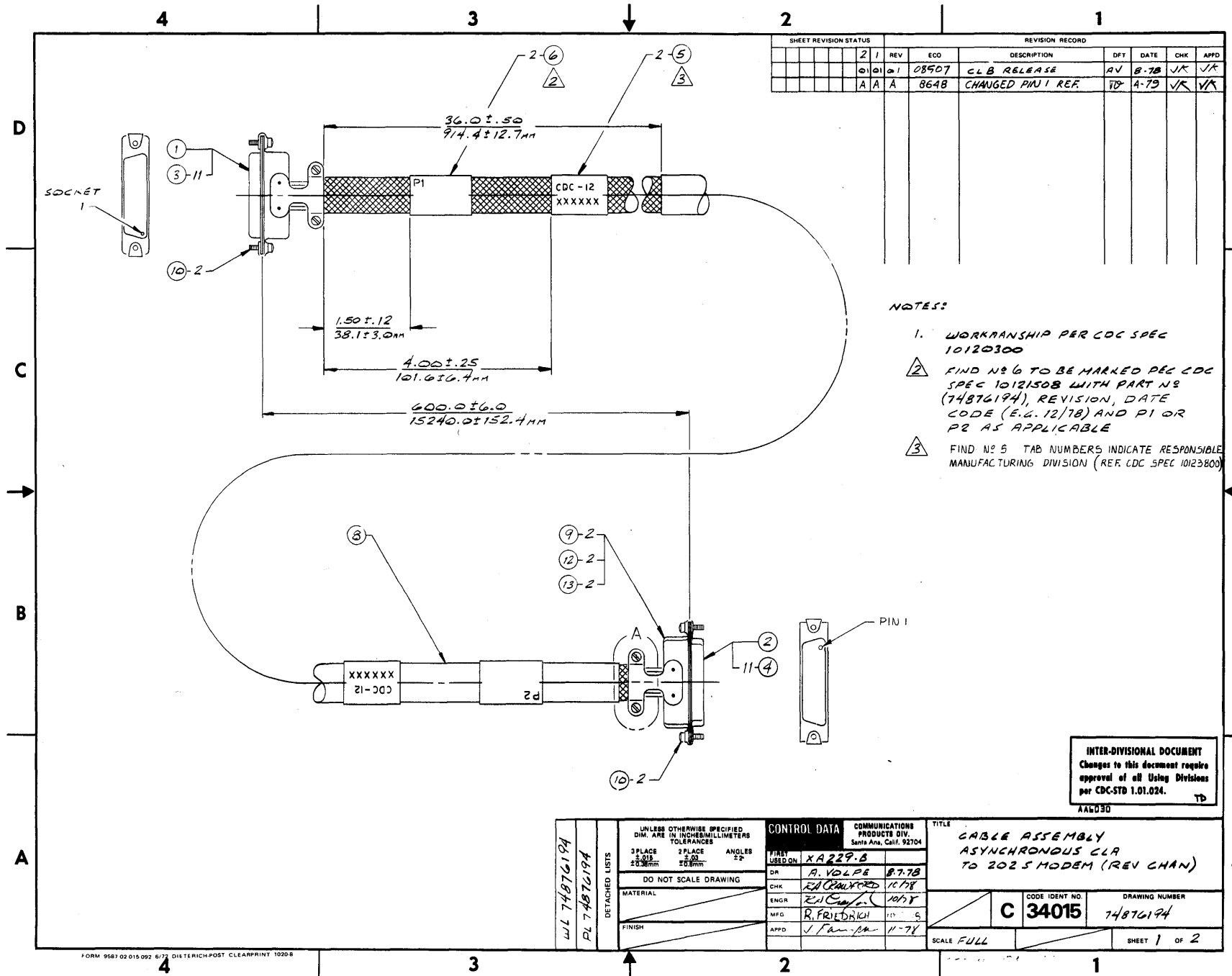
NUMBER OF LINE ITEMS = 12  
HIGHEST FIND NUMBER = 13

PROJECT ENGINEER

SANTA ANA





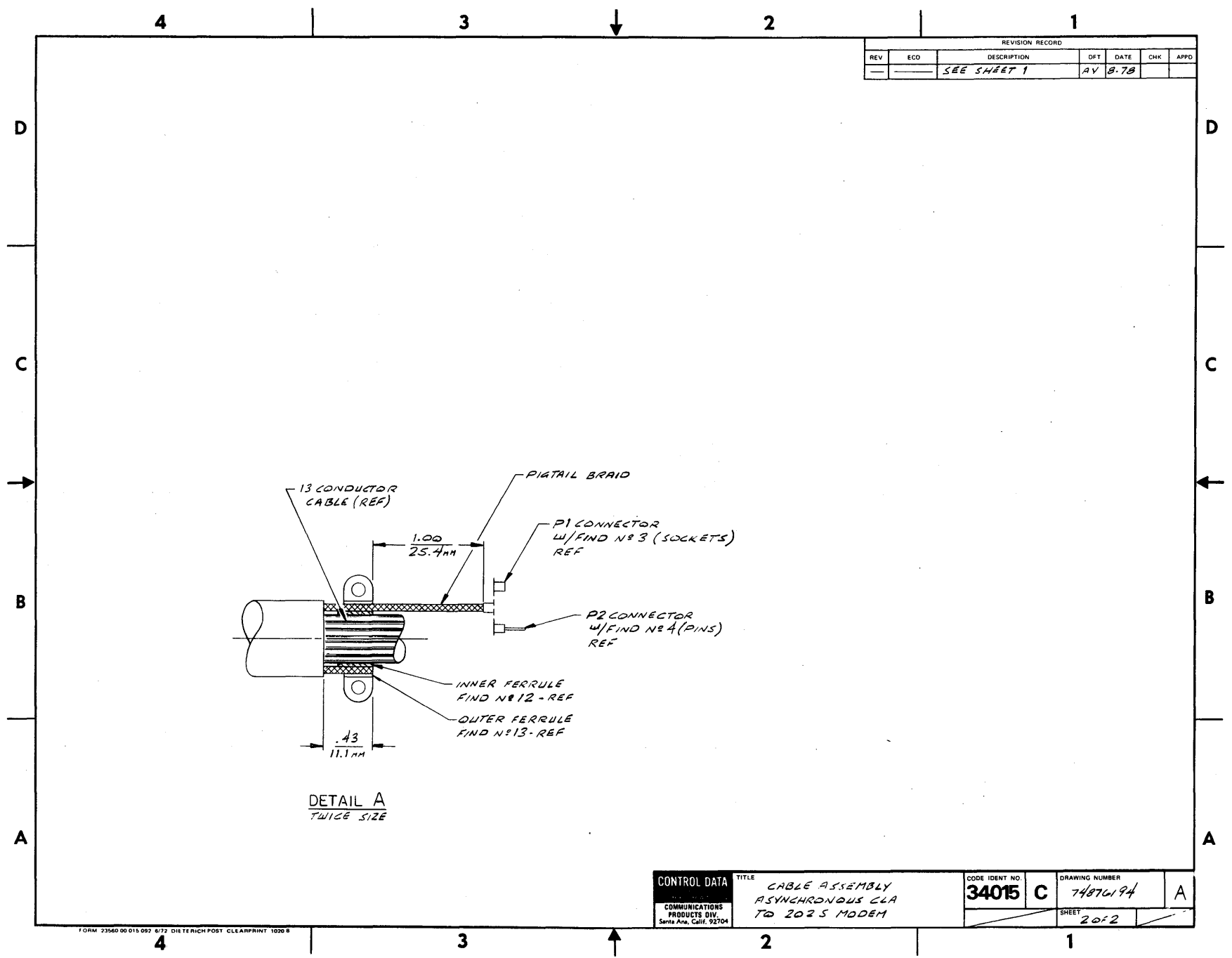


SHEET REVISION STATUS				REVISION RECORD				
REV	ECO	DESCRIPTION	DFT	DATE	CHK	APPD		
2	1	08907	AV	8-78	JK	JK		
1	0	CLB RELEASE						
A	A	864B	TD	4-79	JK	JK		
		CHANGED P1 REF						

- NOTES:
- WORKMANSHIP PER CDC SPEC 10120300
  - FIND NO 6 TO BE MARKED PER CDC SPEC 10121508 WITH PART NO (74876194), REVISION, DATE CODE (E.G. 12/78) AND P1 OR P2 AS APPLICABLE
  - FIND NO 5 TAB NUMBERS INDICATE RESPONSIBLE MANUFACTURING DIVISION (REF CDC SPEC 10123800)

INTER-DIVISIONAL DOCUMENT  
 Changes to this document require approval of all Using Divisions per CDC-STD 1.01.024. TD

UNLESS OTHERWISE SPECIFIED DIM. ARE IN INCHES/MILLIMETERS 3 PLACE 1/16 2 PLACE 1/32 20 30 40 50 60 70 80 90 100 125 150 175 200 250 300 350 400 450 500 600 700 800 900 1000 1250 1500 1750 2000 2500 3000 3500 4000 4500 5000 6000 7000 8000 9000 10000 ANGLE 1/2° 1° 2° 3° 4° 5° 6° 8° 10° 12° 15° 20° 25° 30° 36° 45° 60° 75° 90° 108° 120° 135° 150° 180°	CONTROL DATA		COMMUNICATIONS PRODUCTS DIV. Santa Ana, Calif. 92704	TITLE
	DO NOT SCALE DRAWING MATERIAL FINISH	FIRST USED ON DR A. VOLPE 8-78 CHK ED CONLORD 11-78 ENGR R. FRIEDRICH 10-78 MFG R. FRIEDRICH 11-78 APPD J. T. ... 11-78	XAZZ9-B 11-78	C 34015 SCALE FULL



REVISION RECORD						
REV	ECO	DESCRIPTION	DFT	DATE	CHK	APPD
—	—	SEE SHEET 1	AV	8.78		

CONTROL DATA COMMUNICATIONS PRODUCTS DIV. Santa Ana, Calif. 92704	TITLE	CODE IDENT NO.	DRAWING NUMBER	A
	CABLE ASSEMBLY ASYNCHRONOUS CLA TO 2025 MODEM	34015 C	74876194	
			SHEET	
			2 of 2	



# ASSEMBLY PARTS LIST

SPARE CODE  
S = SPARE PARTS  
N = NON SPARE PARTS

74076124	A	CLA	C	CRL ASSY ASYNC CLA-2025 MUU PC UM	2551	10/30/78	04/11/79	1 / 1	
ASSEMBLY NUMBER	REV	CLASS	DW SZ	ASSEMBLY DESCRIPTION	DESIGN SOURCE	FIRST USAGE	RELEASE DATE	PROCESSING DATE	PAGE NUMBER

FIND NUMBER	DW SZ	PART NUMBER	QUANTITY	UNIT MEAS.	PART DESCRIPTION	IN/OUT STATUS	CHANGE ORD. NUMBER	DATE EFFECTIVE	MAKE/BUY PART TYPE	PC	OR #
5	A	10123860	200	PC	LABEL, CABLE MARKING	IN			PPP4		N
8	A	15165361	60000	IN	CABLE SHIELDED 13CONU 24A*G	IN	008648	041079	PPP4		N
9	C	36183207	200	PC	CLAMP CABLE 2.109 GOLD TRIOITE	IN			PPP4		N
6		51904701	200	PC	CABLE LABEL	IN			PPP4		N
1	C	62013502	100	PC	CONN. SOCKET HOUSING 25 PIN	IN			PPP4		N
3	A	62013606	1100	PC	SOCKET	IN			PPP4		N
2	A	62013702	100	PC	CUNN PIN HOUSING 25 PIN	IN			PPP4		N
4	A	62013801	1100	PC	CONTACT PIN	IN			PPP4		N
10	A	74873611	400	PC	RETAINER MALE SCREW	IN			PPP4		N
12	A	74874794	200	PC	FERRULE INNER	IN			PPP4		N
13	A	74874795	200	PC	FERRULE OUTER	IN			PPP4		N

NUMBER OF LINE ITEMS = 11  
HIGHEST FIND NUMBER = 13

PROJECT ENGINEER

SANTA ANA

AA 2700 REV. 7-75

Printed in U.S.A.



DWN	L. ANDERSON	4/27/77	CONTROL DATA	TITLE	CABLE ASSY, ASYNC CLA TO 2025 MODEM	PREFIX	DOCUMENT NO.	REV
CHKD	H. Jank	4-27-77	COMMUNICATIONS PRODUCTS DIV. Santa Ana, Ca. 92704	FIRST USED ON	QSE 19990-A	SE	74874002	A
ENG	TRIB	4-77	CODE IDENT	34015	35689-009-070	SHEET 1 OF 4		
MFG								
APPR								

SHEET REVISION STATUS				REVISION RECORD					
4	3	2	1	REV	ECO	DESCRIPTION	DRFT	DATE	APP
A	A	A	A	A	6838	INITIAL RELEASE	4A	4-27-77	al
A	A	A	B	B	08063	CLASS A RELEASE	TP	1-20-78	PD

**INTER-DIVISIONAL DOCUMENT**  
 Changes to this document require approval of all Using Divisions per CDC-STD 1.01.024. CA  
 AA6030

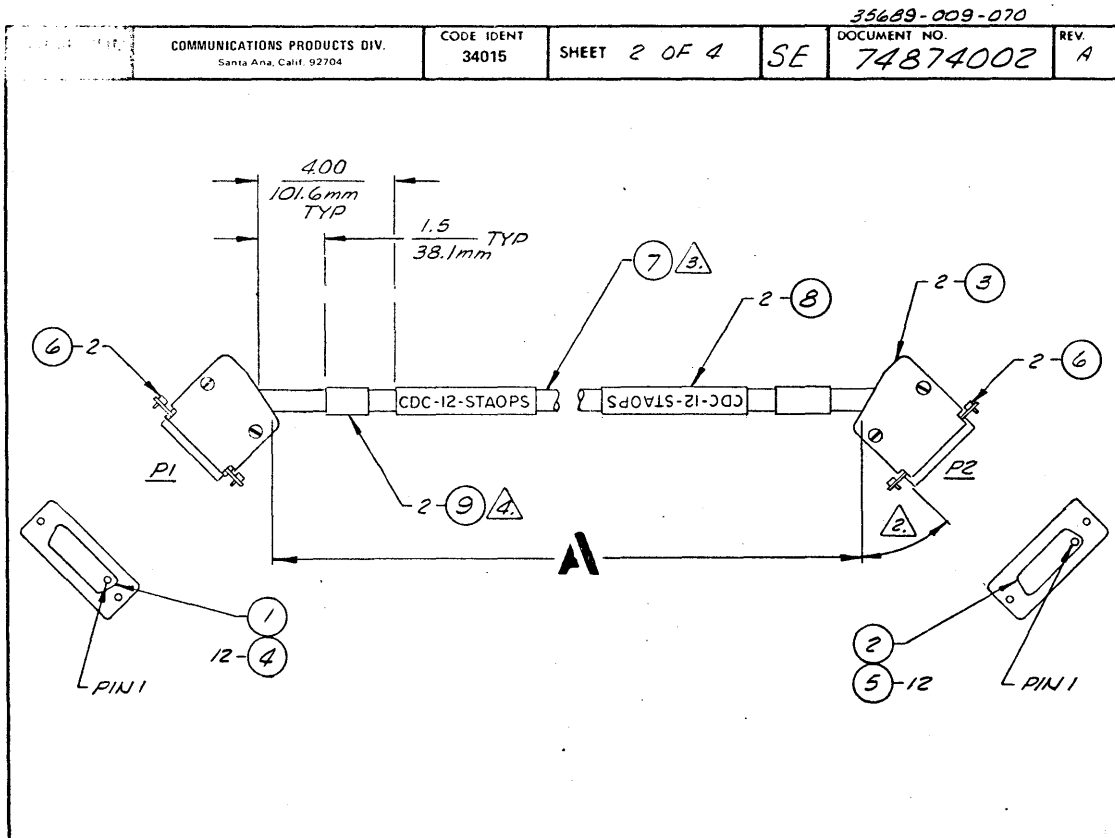
NOTES:

PL 74874002  
 DETACHED LISTS

FORM 19246-01-015-092 DIETERICH-POST CLEARPRINT 1020

PRINTED IN U.S.A.



FORM 19246-01 015-092 DIETERICH-POST CLEARPRINT 1020

PRINTED IN U.S.A.

<b>COMMUNICATIONS PRODUCTS DIV.</b> <small>Santa Ana, Calif. 92704</small>	<b>CODE IDENT</b> 34015	<b>SHEET 3 OF 4</b>	<b>SE</b>	<b>DOCUMENT NO.</b> 74874002	<b>REV.</b> A
---	----------------------------	---------------------	-----------	---------------------------------	------------------

*35689-009-070*

<b>CDC No.</b>	<b>A</b> <b>LENGTH</b>		<b>RTN No.</b>
	<b>FEET</b> <i>±0.5 FT</i>	<b>METERS</b> <i>±.15 METERS</i>	
<i>74874002</i>	<i>50.0</i>	<i>15.24</i>	<i>35689</i>

FORM 19245-01-015-092 DIETERICH-POST CLEARPRINT 1020 PRINTED IN U.S.A.

<b>COMMUNICATIONS PRODUCTS DIV.</b> <small>Santa Ana, Calif. 92704</small>	<b>CODE IDENT</b> 34015	<b>SHEET 4 OF 4</b>	<b>SE</b>	<b>DOCUMENT NO.</b> 74874002	<b>REV.</b> A
---	----------------------------	---------------------	-----------	---------------------------------	------------------

*35689-009-070*

**NOTES:**

1. WORKMANSHIP PER CDC SPEC 10120300
2. ANGLE OF CABLE EXITING CONNECTOR HOUSING TO BE 45°.
3. SHIELD IS TERMINATED TO THE CONNECTOR PIN 1.
4. MARK FIND NO. 9 PER CDC SPEC 10121508 WITH PART NO. 74874002, CONNECTOR NO. P1 OR P2, AND SERIAL NUMBER.

FORM 19245-01-015-092 DIETERICH-POST CLEARPRINT 1020 PRINTED IN U.S.A.

# ASSEMBLY PARTS LIST

SPARE CODE  
S = SPARE PARTS  
N = NON SPARE PARTS

74874002	B	CLA	A	ASYNCL	CLA TO 2025 MODEM	DM	2551	01/29/78	01/29/78	1 / 1
ASSEMBLY NUMBER	REV	CLASS	DW 92		ASSEMBLY DESCRIPTION	DESIGN SOURCE	FIRST USAGE	RELEASE DATE	PROCESSING DATE	PAGE NUMBER

FIND NUMBER	DW 92	PART NUMBER	QUANTITY	UNIT MEAS.	PART DESCRIPTION	IN/OUT STATUS	CHARGE ORD. NUMBER	DATE EFFECTIVE	MAKE/BUY PART TYPE	PH NC	S OR N
3	A	51892202	200	PC	HOOD CONNECTOR	IN					N
8		51904701	200	PC	CABLE LABEL	IN					N
1	C	62013502	100	PC	CONN SOCKET HOUSING 25 PIN	IN			PPP4		N
4	A	62013601	1200	PC	CONTACT SOCKET	IN			PPP4		N
2	A	62013702	100	PC	CONN PIN HOUSING 25 PIN	IN			PPP4		N
5	A	62013801	1200	PC	CONTACT PIN	IN			PPP4		N
9	B	73995500	200	PC	NMPLT KIT BLNK LARGE CABLES	IN			PPP4		N
7	A	74871633	6000	IN	CABLE 13 CONDUCTOR W OA SHIEL	IN	008500		PPP4		N
6	A	74873611	400	PC	RETAINER MALE SCREW	IN			PPP4		N
20	A	74874003	REF	PC	WIRE LIST ASYNCL TO 2025 MODEM	IN					N
					NUMBER OF LINE ITEMS = 10						
					HIGHEST FIND NUMBER = 20						

PROJECT ENGINEER

ARDEN HILLS





DWN CRAWFORD	2-21-75	CONTROL DATA COMMUNICATIONS PRODUCTS DIV. Santa Ana, Ca. 92704	TITLE CONNECTOR ASSY - ASYNC CLA LOOP EXTERNAL TEST CONNECTOR	PREFIX	DOCUMENT NO. 74715600	REV 00			
CHKD			FIRST USED ON 32161-009-122	SHEET 1 OF 2					
ENG LHE	3-21-75		CODE IDENT 34015						
MFG									
APPR									
SHEET REVISION STATUS			REVISION RECORD						
			2 / 1	REV	ECO	DESCRIPTION	DRFT	DATE	APP
			00 / 00	00	05515	CL B RELEASE		2-24-75	LHE

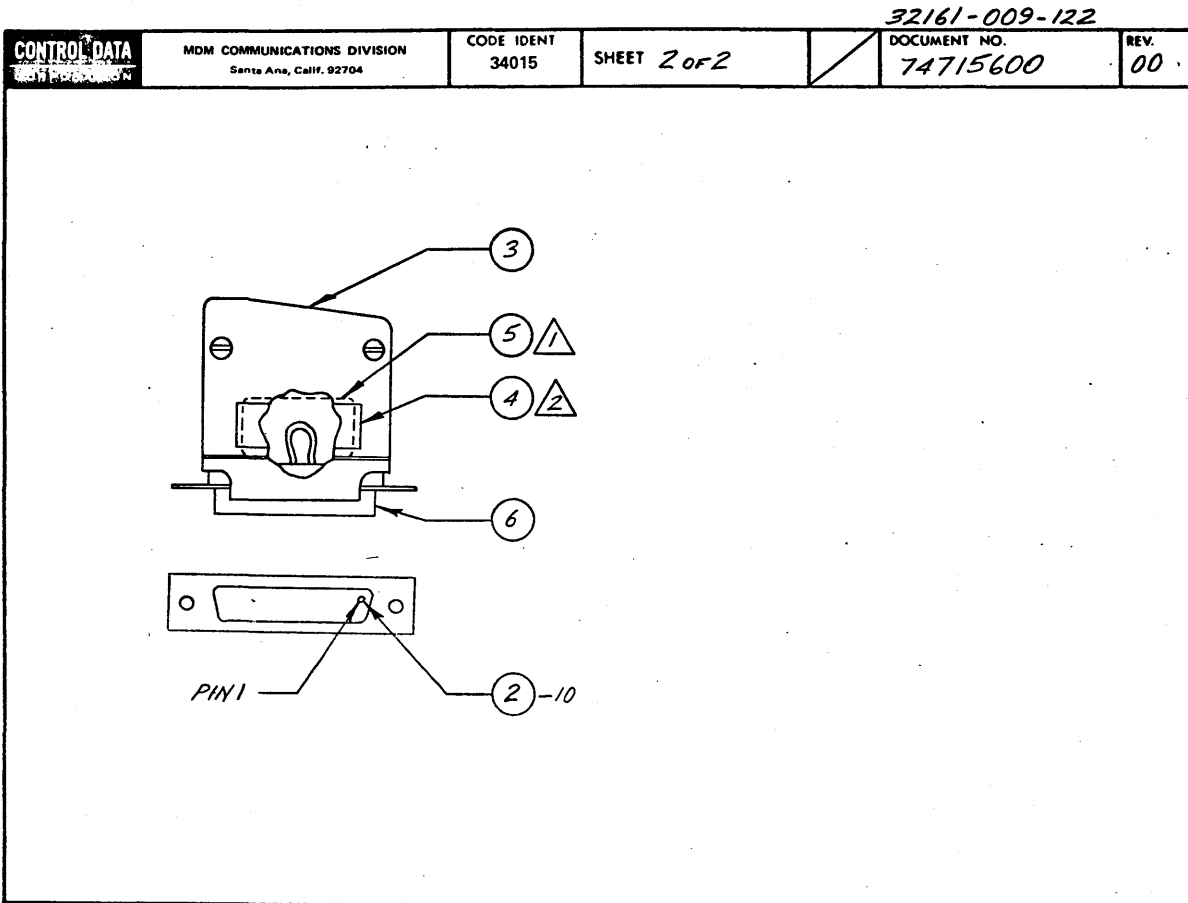
NOTES: 1. WORKMANSHIP PER CDC-SPEC 10120300.

⚠ LABEL, FIND NO. 5, IS LOCATED ON BACKSIDE OF FIND NO. 3  
LABEL SHOULD HAVE THE FOLLOWING TYPEWRITTEN:  
ACLA 2561-1, External, Test Conn.

⚠ FIND NO. 4 TO BE MARKED PER 10121508.

WL 74715700	PL 74715600
ASSOCIATED LIST	DETACHED LISTS

FORM 19246-01-015-092 DIETERICH-POST CLEARPRINT 1020 PRINTED IN U.S.A.



FORM 19245-00-015-092 DIETERICH-POST CLEARPRINT 1020 PRINTED IN U.S.A.

DWN *C. WILFORD* 3-21-75  
CHKD  
ENG *RAC* 3-21-75  
MFG  
APPR  
COMMUNICATIONS PRODUCTS DIV.  
Santa Ana, Ca. 92704  
CODE IDENT  
34015  
FIRST USED ON  
32161-009-122  
PREFIX  
PL  
DOCUMENT NO.  
74715600  
REV  
00  
SHEET 1 OF 2

SHEET REVISION STATUS

REVISION RECORD

REV	ECO	DESCRIPTION	DRFT	DATE	APP
<i>00</i>	<i>00</i>	<i>CL B RELEASE</i>		<i>2-21-75</i>	<i>RAC</i>

NOTES:

DETACHED LISTS

FORM 19246 01-015-092 DIETERICH POST CLEARPRINT 1020

PRINTED IN U.S.A.

32161-009-122

COMMUNICATIONS PRODUCTS DIV.  
Santa Ana, Calif. 92704  
CODE IDENT  
34015  
SHEET 2 OF 2  
PL  
DOCUMENT NO.  
74715600  
REV.  
00

FIND NO	PART IDENTIFICATION	QUANTITY REQUIRED										UNIT OF MEAS	NOMENCLATURE OR DESCRIPTION	SPECIFICATIONS, NOTES, OR MATERIAL
<i>1</i>		<i>1</i>										<i>FT</i>	<i>WIRE, 22GA</i>	<i>01435-002</i>
<i>2</i>	<i>7397700</i>	<i>1</i>										<i>PC</i>	<i>CONTACT, SOCKET</i>	<i>14198-002</i>
<i>3</i>	<i>73919803</i>	<i>1</i>										<i>EC</i>	<i>HOOD, CONNECTOR</i>	<i>26046-002</i>
<i>4</i>	<i>73954300</i>	<i>1</i>										<i>PC</i>	<i>LABEL</i>	<i>15486-002</i>
<i>5</i>		<i>1</i>										<i>PC</i>	<i>LABEL, SELF-ADHESIVE</i>	<i>01223-002</i>
<i>6</i>	<i>74394500</i>	<i>1</i>										<i>PC</i>	<i>CONNECTOR BLOCK-SOCKET</i>	<i>14196-002</i>

FORM 19247-01-015-092 DIETERICH POST CLEARPRINT 1020

PRINTED IN U.S.A.

---

Wire lists for the cable assemblies used with the asynchronous communications line adapter are provided in this section.

Actual pin connections from ACLA to modem or terminal are listed in section 3 and connections to the loop multiplexer are listed in section 6.

DWN	LEVENTHAL	7/2/74	CONTROL DATA	TITLE	CABLE ASSY - ASYNCHRONOUS 25232 TO 103A115	PREFIX	WL	DOCUMENT NO.	74657800	REV	A
CMED			COMMUNICATIONS PRODUCTS DIV. Santa Ana, Calif. 92704	FIRST USED ON	31770-028-070						
ENG	<i>R. Paul</i>	1-5-75	CODE IDENT								
MFC			34015								
APP											SHEET 1 OF 2

SHEET REVISION STATUS				REVISION RECORD			
REV	ECO	DESCRIPTION	DRFT	DATE	APP		
2/							
0000	DD	PRELIM RELEASE	ML	10-31-74			
01	01	DELETED COND 9 & 10; RENUMBERED COND.; REV CABLE PD MBS	LA	1-3-75			
01	02	CL B PRERELEASED	PPH	1-10-75			
A	A	CLASS "A" RELEASE	TP	1-27-78			

**INTER-DIVISIONAL DOCUMENT**  
 Changes to this document require approval of all Using Divisions per CDC-STD 1.01.024. CA

AA6030

NOTES:

DETACHED LISTS

FORM 18246-01-015-092 DIETERICH-POST CLEARPRINT 1020

PRINTED IN U.S.A.

CONTROL DATA			COMMUNICATIONS PRODUCTS DIV. Santa Ana, Calif. 92704			CODE IDENT	34015	SHEET 2 OF 2	WL	DOCUMENT NO.	74657800	REV.	A
31770-028-070													
CONDUCTOR IDENT.	FIND NO.	GAUGE (REF)	COLOR (REF)	LENGTH (APPROX)	ORIGIN		ACCESS FIND NO.	DESTINATION		ACCESS FIND NO.	REMARKS		
						PIN			PIN				
1	7	22	SHIELD WIRE		CONN P1	1	5	CONN P2	1	4	PROTECTIVE GND (AA)		
2			BLK			2			2		TRANSMITTED DATA (BA)		
3			BRN			3			3		RECEIVED DATA (BB)		
4			RED			4			4		REQUEST TO SEND (CA)		
5			GRN			5			5		CLEAR TO SEND (CB)		
6			YEL			6			6		DATA SET READY (CC)		
7			GRN			7			7		SIGNAL GND (AB)		
8			BLU			8			8		RCVD LINE SIG DET (CF)		
9			VIO			20			20		DATA TERM READY (CD)		
10			GRY			22			22		RING INDICATOR (CE)		
11	7	22	WHT		CONN P1	25	5	CONN P2	25	4	TERM BUSY (-)		

FORM 23562-00-015-092 DIETERICH-POST CLEARPRINT 1020

PRINTED IN U.S.A.

DWN	LEVENTHAL	10/3/74	CONTROL DATA	TITLE	CABLE ASSY ASYNCHRONOUS R5232 TD TERMINAL	PREP	DOCUMENT NO.	REV
CHKD			COMMUNICATIONS PRODUCTS DIV. SANTA ANA, CA 92704	FIRST USED ON	XA135-A	WL	74658000	F
ENG	D. P. M.	1-5-75	CODE IDENT		31771-02B-070			
APPR			34015				SHEET	1 OF 2

SHEET REVISION STATUS					REVISION RECORD						
REV	ECO	DESCRIPTION	DRFT	DATE	APP	REV	ECO	DESCRIPTION	DRFT	DATE	APP
00	00	-	PRELIM RELEASE	ML	10/31/74						
01	01	-	DELETE COND 10, 11, 12 & 13; COND 10 WAS 10. REV CABLE & CONTACT PDMS. REV COLORS	LA	1-2-75						
01	02	05360	CL "B" PAPER RELEASED	PPM	1-10-75						
01	03	06248	SEE ECO	LA	3-5-76						
01	04	06707	CL II CONIAL CONTACT CHG	PPM	1-11-77						
01	05	08063	CLASS A RELEASE CBM	TP	1-20-78						

INTER-DIVISIONAL DOCUMENT  
Changes to this document require  
approval of all Using Divisions  
per CDC-STD 1.01.024. CA

AA6030

NOTES:

DETACHED LISTS

FORM 19246-01-015-092 DIETERICH-POST CLEARPRINT 1020

PRINTED IN U.S.A.

CONTROL DATA		COMMUNICATIONS PRODUCTS DIV. Santa Ana, Calif. 92704			CODE IDENT	34015	SHEET	2 OF 2	WL	31771-02B-070	DOCUMENT NO.	74658000	REV	E
--------------	--	---	--	--	------------	-------	-------	--------	----	---------------	--------------	----------	-----	---

CONDUCTOR IDENT.	FIND NO.	GAUGE (REF)	COLOR (REF)	LENGTH (APPROX)	ORIGIN		DESTINATION		ACCESS FIND NO.	REMARKS			
					PIN	PIN							
1	4	22	SHIELD WIRE		CONN	P1	1	3	CONN	P2	1	3	PROTECTIVE GND (AA)
2	4		BLK				2	3		P2	3	3	TRANS/RCVD DATA
3	4		BRN				3	3		P2	2	3	RCVD/TRANS DATA
4	10		WHT				4	3		P1	5	3	REQ/CLEAR TO SEND
5	4		RED				5	-		P2	8	3	RCVD LINE SIG DET
6	4		ORN				6	3			20	3	DATA SET/TERM READY
7	4		YEL				7	3			7	3	SIGNAL GND (AB)
8	4		GRN			P1	8	3			4	3	RCVD LINE SIG DET
9	10		WHT			P2	4	-			5	3	REQ/CLEAR TO SEND
10	4	22	BLU		CONN	P1	20	3	CONN	P2	6	3	DATA TERM/SET READY

FORM 23562-00-015-092 DIETERICH-POST CLEARPRINT 1020

PRINTED IN U.S.A.

DWN	LEVINTHAL	CONTROL DATA	TITLE	CABLE ASSY	PREFIX	DOCUMENT NO.	REV
ENG	<i>[Signature]</i>	COMMUNICATIONS PRODUCTS DIV.	ASYNCHRONOUS RS232	WL	74658400	A	
MFG		Santa Ana, CA. 92704	TO 103F MODEM.				
APPR		CODE IDENT	FIRST USED ON			SHEET 1 OF 2	
		34015	31773-028-070				

SHEET REVISION STATUS				REVISION RECORD			
REV	ECO	DESCRIPTION	DRFT	DATE	APP		
00	00	-	PRELIM RELEASE	ML			
01	01	-	REV IDENT NO. 9 & 10 REMARK			DAM 1-12-74	
02	02	-	REV COLORS & CABLE FONO; DELETE COND 10 & 11	LA		1-8-75	
03	03	05360	CLASS A PRE-RELEASE	PPM		1-10-75	
A	A	08063	CLASS A RELEASE	CBM	TP	1-20-75	

**INTER-DIVISIONAL DOCUMENT**  
Changes to this document require approval of all Using Divisions per CDC-STD 1.01.024. CA

AA6030

NOTES:

DETACHED LISTS

FORM 19246-01-015-092 DIETERICH-POST CLEARPRINT 1020

PRINTED IN U.S.A.

CONTROL DATA		COMMUNICATIONS PRODUCTS DIV.			CODE IDENT	SHEET	PAGE	PREFIX	DOCUMENT NO.	REV
CORPORATION		Santa Ana, Calif. 92704			34015	2	OF 2	WL	74658400	A

CONDUCTOR IDENT.	FIND NO.	GAUGE (REF)	COLOR (REF)	LENGTH (APPROX)	ORIGIN		DESTINATION		ACCESS FIND NO.	REMARKS	
					PIN		PIN				
1	7	22	SHIELD WIRE		CONN P1	1	5	CONN P2	1	4	PROTECTIVE GND (AA)
2			BLK			2			2		TRANSMITTED DATA (BA)
3			BRN			3			3		RCVD DATA (BB)
4			RED			4			4		REQUEST TO SEND (CA)
5			DRN			5			5		CLEAR TO SEND (CB)
6			YEL			6			6		DATA SET READY (CC)
7			GRN			7			7		SIGNAL GND (AB)
8			BLU			8			8		RCVD LINE SIGNAL DET (CF)
9			VIO			11			11		ORIGINATE MODE
10	7	22	GRY		CONN P1	20	5	CONN P2	20	4	DATA TERM. READY (CD)

FORM 23562-00-015-092 DIETERICH-POST CLEARPRINT 1020

PRINTED IN U.S.A.

DWN	CRAWFORD	2-24-75	CONTROL DATA		TITLE CONNECTOR HSGY- HSGYK CLH LOOP EXTERNAL TEST CONNECTOR			PREFIX	DOCUMENT NO.	REV																																																																																																																																																																																																				
CHKD			COMMUNICATIONS PRODUCTS DIV. Santa Ana, Ca. 92704		FIRST USED ON	32161-028-122		ML	74715700	00																																																																																																																																																																																																				
ENG	AKK		CODE IDENT 34015				SHEET 1 of 2																																																																																																																																																																																																							
MFG																																																																																																																																																																																																														
APPR																																																																																																																																																																																																														
SHEET REVISION STATUS						REVISION RECORD																																																																																																																																																																																																								
<table border="1"> <tr> <td></td><td></td><td></td><td></td><td></td><td></td><td>2</td><td>1</td><td>REV</td><td>ECO</td><td>DESCRIPTION</td><td>DRFT</td><td>DATE</td><td>APP</td> </tr> <tr> <td></td><td></td><td></td><td></td><td></td><td></td><td>00</td><td>00</td><td>00</td><td>05515</td><td>CLP RELEASE</td><td></td><td>2-24-75</td><td>AKK</td> </tr> <tr><td></td><td></td><td></td><td></td><td></td><td></td><td></td><td></td><td></td><td></td><td></td><td></td><td></td><td></td></tr> <tr><td></td><td></td><td></td><td></td><td></td><td></td><td></td><td></td><td></td><td></td><td></td><td></td><td></td><td></td></tr> <tr><td></td><td></td><td></td><td></td><td></td><td></td><td></td><td></td><td></td><td></td><td></td><td></td><td></td><td></td></tr> <tr><td></td><td></td><td></td><td></td><td></td><td></td><td></td><td></td><td></td><td></td><td></td><td></td><td></td><td></td></tr> <tr><td></td><td></td><td></td><td></td><td></td><td></td><td></td><td></td><td></td><td></td><td></td><td></td><td></td><td></td></tr> <tr><td></td><td></td><td></td><td></td><td></td><td></td><td></td><td></td><td></td><td></td><td></td><td></td><td></td><td></td></tr> <tr><td></td><td></td><td></td><td></td><td></td><td></td><td></td><td></td><td></td><td></td><td></td><td></td><td></td><td></td></tr> <tr><td></td><td></td><td></td><td></td><td></td><td></td><td></td><td></td><td></td><td></td><td></td><td></td><td></td><td></td></tr> <tr><td></td><td></td><td></td><td></td><td></td><td></td><td></td><td></td><td></td><td></td><td></td><td></td><td></td><td></td></tr> <tr><td></td><td></td><td></td><td></td><td></td><td></td><td></td><td></td><td></td><td></td><td></td><td></td><td></td><td></td></tr> <tr><td></td><td></td><td></td><td></td><td></td><td></td><td></td><td></td><td></td><td></td><td></td><td></td><td></td><td></td></tr> <tr><td></td><td></td><td></td><td></td><td></td><td></td><td></td><td></td><td></td><td></td><td></td><td></td><td></td><td></td></tr> </table>												2	1	REV	ECO	DESCRIPTION	DRFT	DATE	APP							00	00	00	05515	CLP RELEASE		2-24-75	AKK																																																																																																																																																																													
												2	1	REV	ECO	DESCRIPTION	DRFT	DATE	APP																																																																																																																																																																																											
												00	00	00	05515	CLP RELEASE		2-24-75	AKK																																																																																																																																																																																											
NOTES:																																																																																																																																																																																																														
DETACHED LISTS																																																																																																																																																																																																														

FORM 19246-01-015-092 DIETERICH-POST CLEARPRINT 1020 PRINTED IN U.S.A.

32161-028-122

CONTROL DATA			COMMUNICATIONS PRODUCTS DIV. Santa Ana, Calif. 92704			CODE IDENT 34015		SHEET 2 of 2		WL	DOCUMENT NO. 74715700	REV. 00
CONDUCTOR IDENT.	FIND NO.	GAUGE (REF)	COLOR (REF)	LENGTH (APPROX)	ORIGIN	ACCESS FIND NO.	DESTINATION	ACCESS FIND NO.	REMARKS			
1	1	22	WHT		PI 2	2	PI 3	2	SD/RD			
2	↑	↑	↑		PI 4	↑	PI 5	↑	RTS/LTS			
3	↓	↓	↓		PI 6	↓	PI 20	↓	DSR/DTR			
4	↓	↓	↓		PI 12	↓	PI 19	↓	SDCD/SRTS			
5	1	22	WHT		PI 22	2	PI 25	2	RI/TB			

FORM 23562-00-015-092 DIETERICH-POST CLEARPRINT 1020 PRINTED IN U.S.A.

DWN	ECKHOLDT	3/16/78	CONTROL DATA	TITLE	CABLE ASSY - ASYNCHRONOUS RS 232 TO 103A/113	PREFIX	WL	DOCUMENT NO.	74875756	REV	A
CHR	ECB	3/16/78	COMMUNICATIONS PRODUCTS DIV. Santa Ana, Ca. 92704	FIRST USED ON	YA228-A						
ENG	ETK	3/16/78	CODE IDENT	34015							
MFG	R. Amundson	10-78									
APP	J. Kump	10-78									

SHEET REVISION STATUS				REVISION RECORD			
REV	ECO	DESCRIPTION	DRFT	DATE	APP		
2	1	CLASS B RELEASE	AV	6-78	JK		
01	01	8648 REMOVED CL "C" PARTS	JK	4-79	JK		

**INTER-DIVISIONAL DOCUMENT**  
Changes to this document require approval of all Using Divisions per CDC-STD 1.01.024. D

AA6030

NOTES: 1 CUT OFF REMAINING WIRES FROM CABLE (FIND NO. 8) THAT ARE NOT USED.

DETACHED LISTS

FORM 19246-01-015-092 DIETERICH-POST CLEARPRINT 1020

PRINTED IN U.S.A.

<b>CONTROL DATA</b>			COMMUNICATIONS PRODUCTS DIV. Santa Ana, Calif. 92704			CODE IDENT	34015	SHEET 2 OF 2	WL	DOCUMENT NO.	74875756	REV	A
CONDUCTOR IDENT.	FIND NO.	GAUGE (REF)	COLOR (REF)	LENGTH (APPROX)	ORIGIN		ACCESS FIND NO.	DESTINATION		ACCESS FIND NO.	REMARKS		
					PIN			PIN					
1	8	24	SHIELD WIRE		CONN P1	1	3	CONN P2	1	4	PROTECTIVE GND (AA)		
2			BLK			2			2		TRANSMITTED DATA (BA)		
3			BRN			3			3		RECEIVED DATA (BB)		
4			RED			4			4		REQUEST TO SEND (CA)		
5			ORN			5			5		CLEAR TO SEND (CB)		
6			YEL			6			6		DATA SET READY (CC)		
7			GRN			7			7		SIGNAL GND (AB)		
8			BLU			8			8		RCVD LINE SIG DET (CF)		
9			VIO			20			20		DATA TERM READY (CD)		
10			GRY			22			22		RING INDICATOR (CE)		
11	8	24	WHT		CONN P1	25	3	CONN P2	25	4	TERM BUSY (-)		
12	8	24	W/BLK								△		
13	8	24	W/BRN								△		
14	8	24	W/RED								△		

FORM 23562-00-015-092 DIETERICH-POST CLEARPRINT 1020

PRINTED IN U.S.A.



DWN	ECKHOLDT	3/16/78	<b>CONTROL DATA</b> COMMUNICATIONS PRODUCTS DIV. Santa Ana, Ca. 92704 CODE IDENT 34015	TITLE	CABLE ASSY - ASYNCHRONOUS RS-232 TO TERMINAL	PREFIX	WL	DOCUMENT NO.	74875846	REV	A																						
CHKD	602	3/16/78		FIRST USED ON	YA 230-A	SHEET 1 OF 2																											
ENG	ZK	9/78		SHEET REVISION STATUS																													
MFG	R. F. ...	10/4/78		REVISION RECORD																													
APP	J. F. ...	10-78	<table border="1"> <thead> <tr> <th>REV</th> <th>ECO</th> <th>DESCRIPTION</th> <th>DRFT</th> <th>DATE</th> <th>APP</th> </tr> </thead> <tbody> <tr> <td>01</td> <td>01</td> <td>01</td> <td>008457</td> <td>CLASS B RELEASE</td> <td>AV</td> <td>8-78</td> <td>✓</td> </tr> <tr> <td>A</td> <td>A</td> <td>A</td> <td>8648</td> <td>REMOVE CL "C" PARTS</td> <td>W</td> <td>4-79</td> <td>✓</td> </tr> </tbody> </table>									REV	ECO	DESCRIPTION	DRFT	DATE	APP	01	01	01	008457	CLASS B RELEASE	AV	8-78	✓	A	A	A	8648	REMOVE CL "C" PARTS	W	4-79	✓
REV	ECO	DESCRIPTION	DRFT	DATE	APP																												
01	01	01	008457	CLASS B RELEASE	AV	8-78	✓																										
A	A	A	8648	REMOVE CL "C" PARTS	W	4-79	✓																										
<p align="center"><b>INTER-DIVISIONAL DOCUMENT</b>          Changes to this document require approval of all Using Divisions per CDC-STD 1.01.024. ID</p> <p align="right">AA6030</p>																																	
NOTES:																																	
DETACHED LISTS																																	

FORM 19246-01-015-092 DIETERICH-POST CLEARPRINT 1020

PRINTED IN U.S.A.

<b>CONTROL DATA</b>		COMMUNICATIONS PRODUCTS DIV. Santa Ana, Calif. 92704			CODE IDENT	34015	SHEET 2 OF 2	WL	DOCUMENT NO.	74875846	REV	A
CONDUCTOR IDENT.	FIND NO.	GAUGE (REF)	COLOR (REF)	LENGTH (APPROX)	ORIGIN		ACCESS FIND NO.	DESTINATION		ACCESS FIND NO.	REMARKS	
					PIN	PIN		PIN	PIN			
1	4	24	SHIELD WIRE		CONN P1	1	3	CONN P2	1	3	PROTECTIVE GND (AA)	
2	4		BLK				2	P2	3		TRANS/RCVD DATA	
3	4		BRN				3	P2	2		RCVD/TRANS DATA	
4	13		WHT	1.0 25.4 MM			4	P1	5		REQ/CLEAR TO SEND	
5	4		RED				5	P2	8		RCVD LINE SIG DET	
6	4		ORN				6		20		DATA SET/TERM READY	
7	4		YEL				7		7		SIGNAL GND (AB)	
8	4		GRN			P1	8		4		RCVD LINE SIG DET	
9	13		WHT	1.0 25.4 MM		P2	4		5		REQ/CLEAR TO SEND	
10	4	24	BLU		CONN P1	20	3	CONN P2	6	3	DATA TERM/SET READY	

FORM 23562-00-015-092 DIETERICH-POST CLEARPRINT 1020

PRINTED IN U.S.A.

DWN	ECKHOLDT	3/15/78	CONTROL DATA	TITLE	CABLE ASSY- ASYNCHRONOUS RS-232 TO 103F MODEM	PREFIX	WL	DOCUMENT NO.	74875760	REV	A
CHKD	808	3/15/78	COMMUNICATIONS PRODUCTS DIV. Santa Ana, Ca. 92704	FIRST USED ON	YA 229-A			SHEET 1 OF 2			
ENG	ZAC	3/15/78	CODE IDENT								
MFG	R. J. ...	10-4-78	34015								
APPR	J. K. ...	10-78									

SHEET REVISION STATUS				REVISION RECORD						
REV	ECO	DESCRIPTION	DRFT	DATE	APP					
2	1									
01	01	008457 CLASS B RELEASE	AV	8-78	JK					
A	A	A 8648 REMOVED CL "C" PARTS	TD	9 APR 79	JK					

NOTES:

**INTER-DIVISIONAL DOCUMENT**  
Changes to this document require approval of all Using Divisions per CDC-STD 1.01.024.

AAL030

DETACHED LISTS

FORM 19246-01-015-092 DIETERICH-POST CLEARPRINT 1020

PRINTED IN U.S.A.

COMMUNICATIONS PRODUCTS DIV. Santa Ana, Calif. 92704				CODE IDENT	SHEET 2 OF 2		WL	DOCUMENT NO.	REV.			
CONDUCTOR IDENT.		FIND NO.	GAUGE (REF)	COLOR (REF)	LENGTH (APPROX)	ORIGIN	PIN	ACCESS FIND NO.	DESTINATION	PIN	ACCESS FIND NO.	REMARKS
1	8	24	SHIELD WIRE			CONN P1	1	3	CONN P2	1	4	PROTECTIVE GND (AA)
2			BLK				2			2		TRANSMITTED DATA (BA)
3			BRN				3			3		RECEIVED DATA (BB)
4			RED				4			4		REQUEST TO SEND (CA)
5			ORN				5			5		CLEAR TO SEND (CB)
6			YEL				6			6		DATA SET READY (CC)
7			GRN				7			7		SIGNAL GND (AB)
8			BLU				8			8		RCVD LINE SIGNAL DET (CF)
9			VIO				11			11		ORIGINATE MODE
10	8	24	GRY			CONN P1	20	3	CONN P2	20	4	DATA TERM. READY (CD)

FORM 23562-00-015-092 DIETERICH-POST CLEARPRINT 1020

PRINTED IN U.S.A.

DWN	A. VOLPE	8-7-78	 COMMUNICATIONS PRODUCTS DIV. Santa Ana, Ca. 92704	TITLE	CABLE ASSEMBLY ASYNCHRONOUS CLA TO 202S MODEM (REV CHAN)	PREFIX	DOCUMENT NO.	REV
CHKD	R.A. CRAWFORD	10/78		FIRST USED ON	YA230-A	WL	74876194	A
ENG	R.A. CRAWFORD	10/78		CODE IDENT	34015	SHEET 1 OF 2		
MFG	R. FRIEDRICH	10-6-78						
APPR	JK	11-78						

SHEET REVISION STATUS					REVISION RECORD						
REV	ECO	DESCRIPTION	DRFT	DATE	APP						
2	1										
01	01	08507	CL B RELEASE	AV	8-78	JK					
A	A	A	8648	CHANGED PIN 1 REF.	JK	4-79	JK				

NOTES:

**INTER-DIVISIONAL DOCUMENT**  
Changes to this document require approval of all Using Divisions per CDC-STD 1.01.024.

A46030

DETACHED LISTS

FORM 19246-02-015-092 DIETERICH-POST CLEARPRINT 1020

PRINTED IN U.S.A.

CONTROL DATA CORPORATION		COMMUNICATIONS PRODUCTS DIV. Santa Ana, Calif. 92704		CODE IDENT	SHEET	PAGE	PREFIX	DOCUMENT NO.	REV.
				34015	2	OF 2	WL	74876194	A

CONDUCTOR IDENT.	FIND NO.	GAUGE (REF)	COLOR (REF)	LENGTH (APPROX) FT	ORIGIN	ACCESS FIND NO.	DESTINATION	ACCESS FIND NO.	REMARKS
1	8	22	SHIELD WIRE	50.0	P1	1	P2	1	GND (FRAME)
2	↑	↑	BLK	↑	↑	2	↑	2	SEND DATA
3	↑	↑	BRN	↑	↑	3	↑	3	REC DATA
4	↑	↑	RED	↑	↑	4	↑	4	RTS
5	↑	↑	ORN	↑	↑	5	↑	5	CTS
6	↑	↑	YEL	↑	↑	6	↑	6	DSR
7	↑	↑	GRN	↑	↑	7	↑	7	GND (FRAME)
8	↑	↑	BLU	↑	↑	8	↑	8	DCD
9	↑	↑	VIO	↑	↑	19	↑	19	SRTS
10	↑	↑	GRY	↑	↑	12	↑	12	SDCD
11	Y	Y	WHT	Y	Y	20	Y	20	DTR
12	8	22	WHT/BLK	50.0	P1	22	P2	22	RI

FORM 23562-00-015-092 DIETERICH-POST CLEARPRINT 1020

PRINTED IN U.S.A.



This appendix consists of an alphabetical listing of all terms and abbreviations, including acronyms and mnemonics, used in this manual. In the text many signal names listed herein only exist in their false (xx) or reverse level (xx\*) state but are presented here only in their true or conventional state.

ACLA	Asynchronous communications line adapter	IAV	Input available
ADD	Address	IBF	Input buffer full
A-O-I	AND-OR-Invert (circuit or function)	IC	Input control
CLA	Communications line adapter	IEN	Input end
CLE	Communications line expansion	IER	Input error
CO	Code bit	IF	Information format
COM	Command word	II	Information input
CRC	Cyclic redundancy check	ILE	Input loop error
CTS	Clear to send	ILES	Input loop error status
CTSS	Clear to send status	IO	Information output
DAST	Data associated status	IODD	Output data demand
DAT	Data receive register	ION	Input on
DAV	Data available	IS	Input select
DCD	Data carrier detect	ISON	Input status on
DCDS	Data carrier detect status	ISR	Input status request
DLM	Data line monitor	IST	Input strobe
DSR	Data set ready	ISUP	Input supervision
DSRS	Data set ready status	LED	Light-emitting diode
DTO	Data transfer overrun	LIT	Loop internal test
DTOS	Data transfer overrun status	LM	Loop multiplexer
DTR	Data terminal ready	LSI	Large-scale integration
ECHO	Echoplex mode	MCL	Master clear
END	End of input frame	MLIA	Multiplex loop interface adapter
FDX	Full duplex	Modem	Modulator-demodulator
FES	Framing error status	NAND	Not and (circuit or function)
HDX	Half duplex	NOR	Not or (circuit or function)
IADD	Input address	NPU	Network processor unit
		ODATA	Output data
		ODD	Output data demand
		OER	Output error
		OF	Output format
		OLE	Output loop error
		OM	Originate mode

OON	Output on	SCL	Status clear
OSC	Output select clear	SCLA	Synchronous communications line adapter
OSL	Output select	SD	Send data
OST	Output strobe	SDCD	Secondary data carrier detector
OSUP	Output supervision	SDCDS	Secondary data carrier detector status
PES	Parity error status	SELI	Select input
PI	Parity inhibit	SELO	Select output
PSET	Parity set	SODD	Set output data demand
RCK	Receive clock	SRLSD	Secondary receive line signal detector
RD	Receive data	SRTS	Secondary request to send
RF	Reference frequency	TB	Terminal busy
RHR	Receive holding register	TCK	Transmit clock
RI	Ring indicator	TD	Transmit data
RIBF	Reset input buffer full	THR	Transmitter holding register
RIS	Ring indicator status	THRE	Transmitter holding register empty
RLSD	Receive line signal detector	THRL	Transmitter holding register load
RODD	Reset output data demand	TSR	Transmitter shift register
RSD	Restraint detector	TTL	Transistor-transistor logic
RSR	Receive shift register	UART	Universal asynchronous receiver-transmitter
RTS	Request to send		
R/W	Read/write		
SAV	Status available		
SB	Stop bit		

# HEXADECIMAL/DECIMAL CONVERSION

B

## TO CONVERT DECIMAL TO HEXADECIMAL

1. Find decimal number in body of table (Example: 157).
2. Scan horizontally to the left to find the first hexadecimal digit (in this case, 9).
3. Scan vertically up (from 157 in table) to find second hexadecimal digit (in this case, D).
4. Thus decimal number 157 = hexadecimal number 9D.

## TO CONVERT HEXADECIMAL TO DECIMAL

1. Find first hexadecimal digit in left-hand column (Example: D).
2. Find second hexadecimal digit in top row (Example: 9).
3. Simultaneously scan horizontally to right (from D) and scan vertically downward (from 9) to find point of intersection in body of table (in this case, 217).
4. Thus hexadecimal number D9 = decimal number 217.

TABLE B-1. HEXADECIMAL/DECIMAL CONVERSION

		Second Hexadecimal Digit															
		0	1	2	3	4	5	6	7	8	9	A	B	C	D	E	F
First Hexadecimal Digit	0	0	1	2	3	4	5	6	7	8	9	10	11	12	13	14	15
	1	16	17	18	19	20	21	22	23	24	25	26	27	28	29	30	31
	2	32	33	34	35	36	37	38	39	40	41	42	43	44	45	46	47
	3	48	49	50	51	52	53	54	55	56	57	58	59	60	61	62	63
	4	64	65	66	67	68	69	70	71	72	73	74	75	76	77	78	79
	5	80	81	82	83	84	85	86	87	88	89	90	91	92	93	94	95
	6	96	97	98	99	100	101	102	103	104	105	106	107	108	109	110	111
	7	112	113	114	115	116	117	118	119	120	121	122	123	124	125	126	127
	8	128	129	130	131	132	133	134	135	136	137	138	139	140	141	142	143
	9	144	145	146	147	148	149	150	151	152	153	154	155	156	157	158	159
	A	160	161	162	163	164	165	166	167	168	169	170	171	172	173	174	175
	B	176	177	178	179	180	181	182	183	184	185	186	187	188	189	190	191
	C	192	193	194	195	196	197	198	199	200	201	202	203	204	205	206	207
	D	208	209	210	211	212	213	214	215	216	217	218	219	220	221	222	223
	E	224	225	226	227	228	229	230	231	232	233	234	235	236	237	238	239
	F	240	241	242	243	244	245	246	247	248	249	250	251	252	253	254	255





## COMMENT SHEET

Asynchronous Communications Line Adapter DU137-A,  
**MANUAL TITLE:** DU189-A/B, DU190-A/B, and DU191-A/B,  
Hardware Maintenance Manual  
**PUBLICATION NO.:** 74700900 **REVISION:** E

**NAME:** \_\_\_\_\_

**COMPANY:** \_\_\_\_\_

**STREET ADDRESS:** \_\_\_\_\_

**CITY:** \_\_\_\_\_ **STATE:** \_\_\_\_\_ **ZIP CODE:** \_\_\_\_\_

This form is not intended to be used as an order blank. Control Data Corporation welcomes your evaluation of this manual. Please indicate any errors, suggested additions or deletions, or general comments below (please include page number references).

CUT ALONG LINE

AA3419 REV. 4/79 PRINTED IN U.S.A.

NO POSTAGE STAMP NECESSARY IF MAILED IN U.S.A.

FOLD ON DOTTED LINES AND TAPE

TAPE

TAPE

FOLD

FOLD



NO POSTAGE  
NECESSARY  
IF MAILED  
IN THE  
UNITED STATES

**BUSINESS REPLY MAIL**  
FIRST CLASS      PERMIT NO. 8241      MINNEAPOLIS, MINN.

POSTAGE WILL BE PAID BY

**CONTROL DATA CORPORATION**

Publications and Graphics Division

P. O. Box 4380-P

Anaheim, California 92803



CUT ALONG LINE

FOLD

FOLD