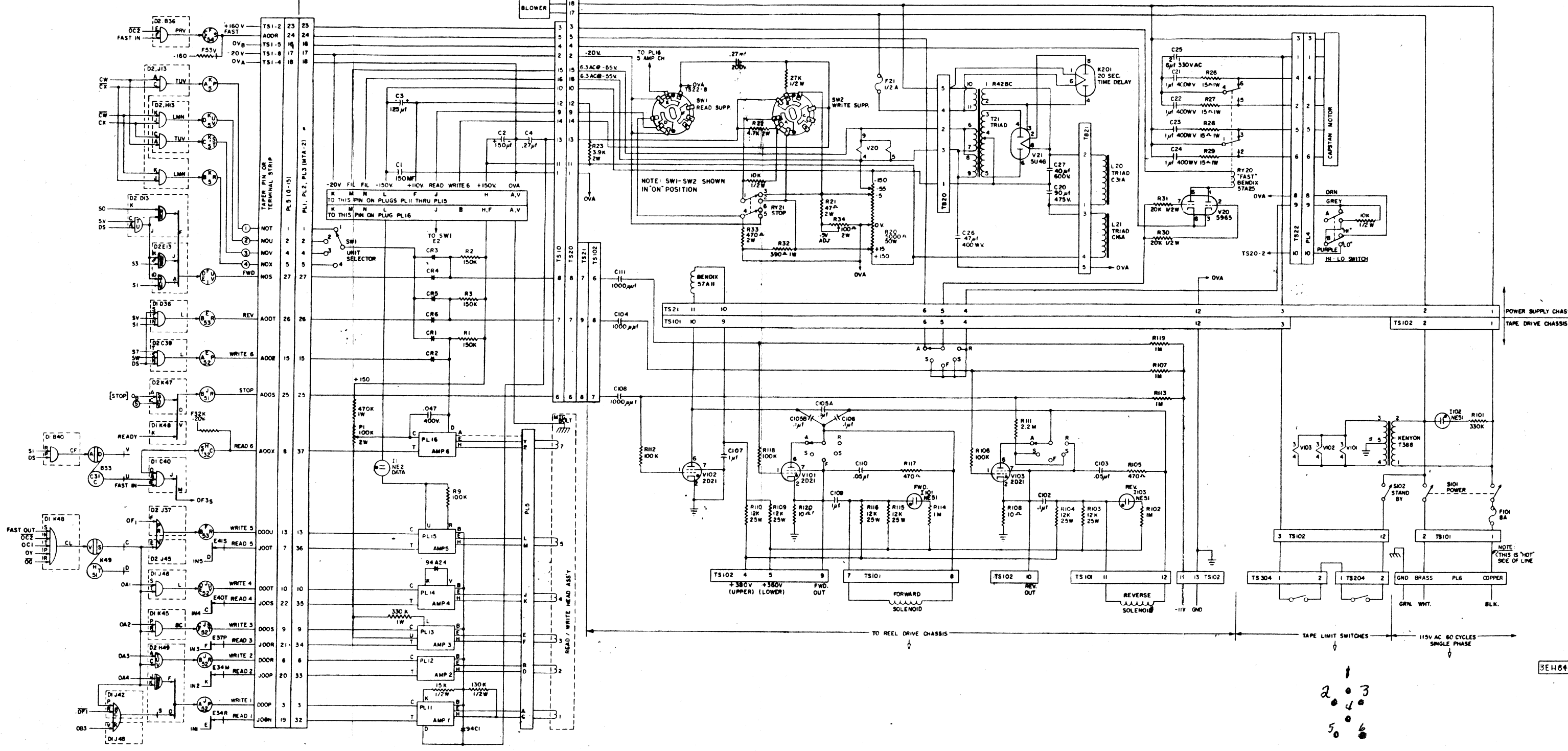


AMPLIFIER CHASSIS POWER SUPPLY CHASSIS



2 ALL PINS ON P.3 NOT SHOWN ARE CONNECTED TO OVA FOR SHIELDING.
1 ALL RESISTORS 1/2W ± 5% UNLESS NOTED.

THIS DRAWING APPLIES TO MTA-2 SERIAL 1 THRU 890 ONLY

NOTES:

REV.	DATE	DESCRIPTION	BY	CHKD.
1		INITIAL RELEASE		

SCHEMATIC - MTA-2 3E1184