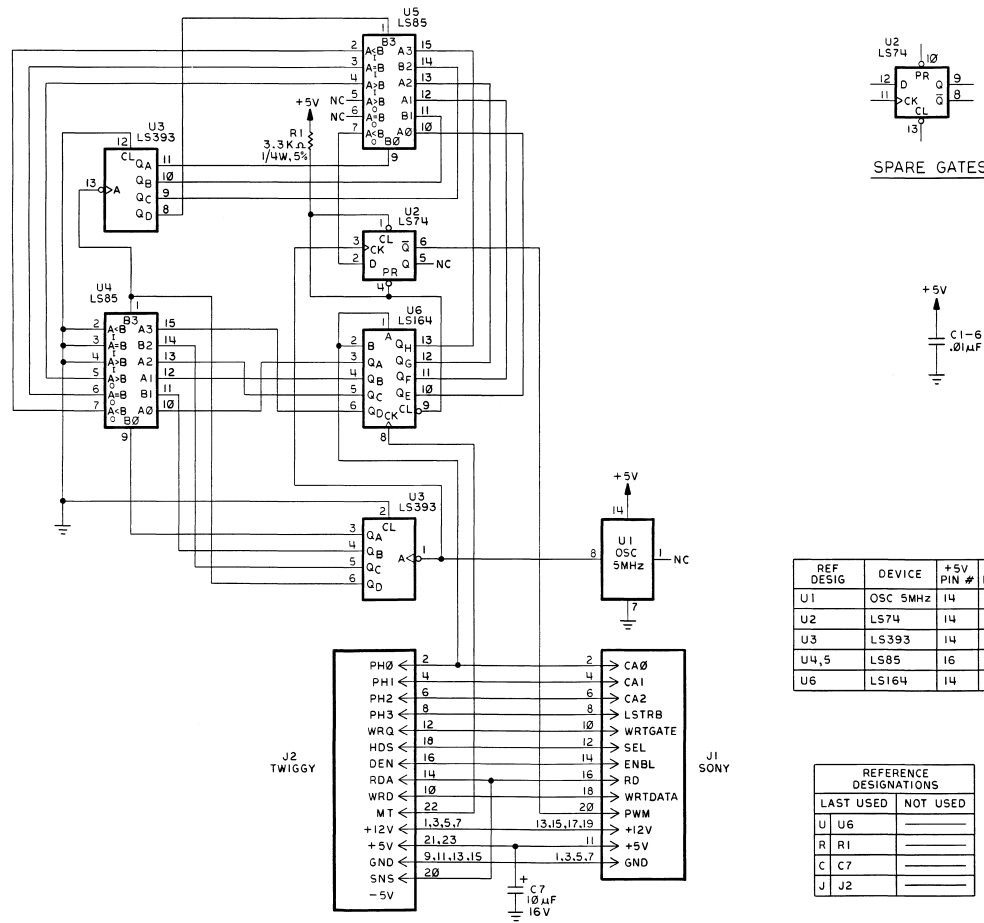


NOTE: UNLESS OTHERWISE SPECIFIED

REV	DATE	ECO #	REVISION	APPD	DATE
A		3449	INITIAL RELEASE		



SPARE GATES

REF DESIG	DEVICE	+5V PIN #	GND PIN #
U1	OSC 5MHZ	14	7
U2	LS74	14	7
U3	LS393	14	7
U4,5	LS85	16	8
U6	LS164	14	7

REFERENCE DESIGNATIONS	
LAST USED	NOT USED
U U6	
R R1	
C C7	
J J2	

METRIC <small>CONFORMS TO INTERNATIONAL STANDARDS</small>			
<small>NOTICE OF PROPRIETARY PROPERTY THE INFORMATION CONTAINED HEREIN IS THE PROPRIETARY PROPERTY OF APPLE COMPUTER, INC. THE INFORMATION IS TO BE KEPT IN CONFIDENCE AND IS NOT TO BE REPRODUCED OR TRANSMITTED IN ANY FORM OR BY ANY MEANS, ELECTRONIC OR MECHANICAL, INCLUDING PHOTOCOPYING, RECORDING, OR BY ANY INFORMATION STORAGE AND RETRIEVAL SYSTEM.</small>			
<small>DESIGNED BY</small> K. Jinks	<small>DESIGNED BY</small> T. Smith	<small>DATE</small> 1/11/80	<small>DATE</small> 1/11/80
<small>DESIGNED BY</small> B. LEE		<small>DATE</small> 1/11/80	
<small>PROJECT</small> LISA		<small>TITLE</small> SCHEMATIC, PCB, LISA LITE ADAPTOR	
<small>DESIGNED BY</small> B. LEE		<small>REV</small> D	<small>NO</small> 050-4043-A

11-3404-01