

Lisa 2 Upgrade Kit

Customer Instructions

Installation and Data Transfer

Lisa 2 Upgrade Kit

Customer Instructions

The following procedures describe the process of loading the Lisa 2 software on a Lisa 1 that has been upgraded to a Lisa 2. Before continuing, be sure you have completed the items on the following checklist. Have you:

1) Received your update to the Workshop? Language product (Workshop, Pascal, Basic, COBOL) versions that ran with Office System 1.0 will NOT be compatible with this new release of the Office System. Those who have purchased the language products should order an update to them before installing this upgrade.

2) Loaded your documents to the ProFile? You should have loaded the documents you wish to save on ProFile before bringing your system to the dealer for installation of the retrofit hardware. If you are performing the retrofit yourself, the procedure for saving your documents is described in appendix 1 at the end of this document. This process takes anywhere from ten minutes to two hours, depending on the amount of data you wish to save.

3) Had the upgrade hardware installed? The dealer typically performs this part of the upgrade. If you have received this kit without access to a dealer, you can perform the upgrade following the procedures in appendix 2 at the end of this document. This process takes about one-half hour.

4) Purchased enough micro diskettes to contain the documents you wish to save? The procedure requires that the user purchase enough microdiskettes to carry all of the customer's data files saved on the ProFile. This would be a maximum of eight for each ProFile; two are included with the kit.

Once you have completed these steps, continue with the software installation instructions on the following page.

Appendix 2: Lisa 2 Hardware Installation

The upgrade kit consists of five hardware parts, plus software:

- 1) micro diskette drive carrier assembly
- 2) Lisa 2 front panel
- 3) 28-pin CPU board boot ROM - high (part #341-0175)
- 4) 28-pin CPU board boot ROM - low (part #341-0176)
- 5) 24-pin I/O ROM (part #341-0290)

Software: 4 Office System micro diskettes, LisaGuide, and Applications micro diskettes

Detailed descriptions of the Lisa 2 hardware upgrade procedure are given in the service procedures binder update for Lisa 2. Those procedures should be used to perform the upgrade. The process is also described below, referencing section H, "Service," of the original Owners Guide that came with the Lisa. The only tools required are a screwdriver for removal of socketed PROMs, and small wire cutters. Diagrams to supplement the Owners Guide material are given at the end of this document.

- 1) Remove the disk drive assembly by following the instructions on page H1 through H5 of the Lisa Owner's Guide.
- 2) See figure 1 at the end of this document. The disk drive cables coming from the Lisa are already fastened to the floor of the drive compartment one on top of the other with a clamp. The bottom cable should be connected to the micro diskette drive in the new disk carrier assembly from the kit, WITH THE COLORED EDGE OF THAT CABLE DOWN, TOWARD THE BOTTOM OF THE CONNECTOR. INSERTING IT ANY OTHER WAY COULD DAMAGE THE micro diskette DRIVE.
- 3) The unused upper drive cable can be rolled up and placed down in the space behind the drive carrier shelf.
- 4) Set the new drive carrier into the Lisa by following steps #8 and #9 on page H8. The new drive carrier will look different from those in the pictures, but the procedure is the same.

NOTE: Be careful to seat the drive carrier properly; there are several edges inside the cabinet that can catch the drive carrier and prevent it from fitting all the way into the cabinet. You may have to tilt the carrier slightly or flex the sides of the carrier inward to avoid those edges.

- 5) Take the glare filter from the old Lisa front panel and install it in the new front panel by following the instructions for "Install Glare Filter," pages H45 through H46. Do not continue to page 47.

- 6) Remove the I/O board, using the instructions under "Replace I/O, CPU, or Memory Boards," pages H10 through H14.
 - 7) See figure 2, page 6 of this document. Distinguish between the I/O ROM and CPU ROMs by counting the number of pins, or by part number (listed at the beginning of this section).
- NOTE BEFORE PROCEEDING WITH STEP #8: BE SURE, WHEN REPLACING ANY ROM, THAT THE ROM IS ORIENTED SO THAT THE NOTCH IN THE ROM HOUSING IS TOWARD THE TOP OF THE BOARD. This is the way all other circuit chips are installed on the board. When removing the ROM, try to keep it parallel to the socket, so the pins are not bent (fig. 2).
- 8) See figure 2, page 6 of this document. Replace the 24-pin I/O disk controller ROM at the upper left corner of the I/O board with the replacement 24-pin ROM in the kit.
 - 9) See figure 3, page 7 of this document. Carefully remove the 1 K ohm resistor R47 at the bottom left of the I/O board by clipping both of the resistor leads.
 - 10) Remove the CPU board, following the instructions, "Removing Boards," pages H13 through H14.
 - 11) Refer to figure 4, page 7 of this document. Identify the CPU boot ROMs to be replaced. Replace the 28-pin "CPU board boot ROM - low" at the right side of the CPU board with the replacement 28-pin "CPU board boot ROM - low". To enable you to distinguish between the high and low 28-pin ROMs, they have been labelled with "H" and "L," respectively. They are most effectively removed by inserting the screwdriver from the lower end of the ROM (NOT the notched end) and rotating the screwdriver.
 - 12) Replace the 28-pin "CPU board boot ROM - high" just to the left of the "low" CPU ROM with the replacement 28-pin "CPU board boot ROM - high".
- NOTE BEFORE PROCEEDING WITH STEP #13: Orient the CPU and I/O boards correctly. When replaced, the CPU board should face the memory boards (toward the front of the Lisa), and the I/O board should face the rear of the Lisa.
- 13) Place the CPU and I/O boards back into the card cage, following the instructions "Installing Boards", on pages H15 through H17.
 - 14) Reassemble the Lisa, following the instructions "Finishing Up," on pages H17 through H19.
 - 15) Reconnect the ProFile to the built-in parallel port using the directions that came with the ProFile.
 - 16) Reconnect other peripheral devices in the same fashion that they were originally connected, using the instructions that came with those devices.
 - 17) Run LisaTest to test the hardware, and then refer to the software installation instructions on page 2 for installation of the Lisa 2 software.

A) Load Office System Micro Diskettes 1 - 4

- a) Turn on the ProFile, and wait for the indicator light to be steady. Do NOT turn on the Lisa yet.
- b) Repair the ProFile to ensure that your documents have not been damaged during handling of the ProFile, and load the Office System, by following the directions in the Lisa 2 Owner's Guide that is part of the upgrade kit, pages C24 through C27: "Repairing a Startup Disk and Reinstalling the Office System."
- c) If the "Environments" window shows on the screen, select "Office System" and then "Start" using the mouse. The Lisa may ask you to reset the clock at this point.

B) Transfer Documents from ProFile to Micro Diskettes

Move all documents (not Tools, Stationery Pads, or Examples) stored on the ProFile to blank micro diskettes. To do so, follow these steps:

- I) Insert and initialize blank micro diskette in the disk drive, following the directions in the Lisa 2 Owners Guide that is a part of this upgrade kit, pages B42 - B43.
- II) Open the newly initialized micro diskette.
- III) Open the ProFile icon and identify the files you want to move to the micro diskette.
- IV) Select icons from the ProFile window and move them to the micro diskette window.
- V) When you have all the files you want on that micro diskette, eject the diskette, following the instructions on the top of page B44, Lisa 2 Owners Guide.

Repeat this process until ALL your data files are off the ProFile. *Any files left on the Profile will be destroyed during the next step.*

C) Erase ProFile and reinstall Office System 1 - 4

The reason that the Office System is installed a second time is that the disk must be erased in order to install the new file formats that enable the software to run faster.

Follow the directions in the Lisa 2 Owner's Guide that is part of this upgrade kit, pages G31 through G36: "Installing the Office System Software." NOTE: At step #6, the message that appears on the screen asks if you want to erase the ProFile. Select "Erase."

D) Install applications software from micro diskettes

Follow the directions in the Lisa 2 Owner's Guide that is part of this upgrade kit, pages G36 through G38: "Installing/Duplicating Tools"

You can now load data to ProFile, as desired, from microdisks. Place the "Errata" sheets from the kit in the appropriate manuals and replace the contents of the Lisa Owners Guide with the Lisa 2 Owners Guide contents from the kit. Your Lisa 2 is complete.

Appendix 1: Data File Loading to ProFile

The customer should load all data files to be saved on the ProFile. The ProFile with Office System and Tools should have enough room to store about 3 megabytes of data (that amount of data would fill two-and one-half 5 1/4" diskettes); the Tools, Stationery Pads, and Examples can be "thrown away" to give an extra megabyte of storage (total data that can be stored in this would fill four 5 1/4" diskettes). To load data files to the ProFile:

- 1) Insert the diskette which contains the data files to be saved.
- 2) Open the diskette icon.
- 3) Select the icons representing the files to be transferred. Be sure you find those icons that may not be visible in the window when you open it.
- 4) Duplicate the files by selecting "Duplicate" from the "File/Print" menu. This leaves a backup copy on the disk; the upgrade can be reversed and the files re-loaded to ProFile if the copies on ProFile are destroyed for some reason.
- 5) Move the duplicates to the ProFile.

Once all of the user's files have been transferred to the ProFile, the Lisa will be turned off and the ProFile disconnected. If the dealer is to help with the software transfer, the customer should bring the ProFile to the dealer along with the rest of the system. If the dealer has not offered to help with the data transfer, or if the customer wishes the files to remain in confidence, the ProFile can be left at the customer site.

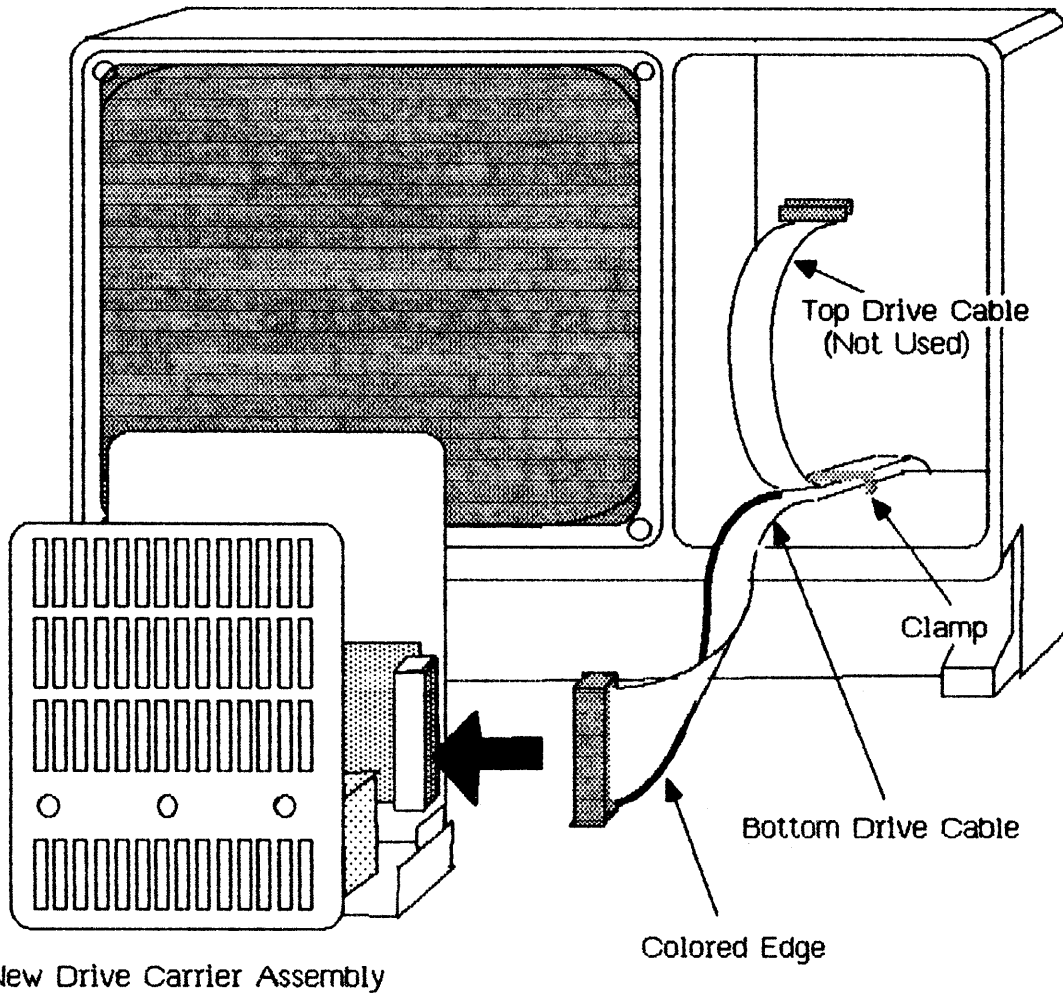


FIGURE 1: ATTACHMENT OF MICRODISK DRIVE TO DRIVE CABLE

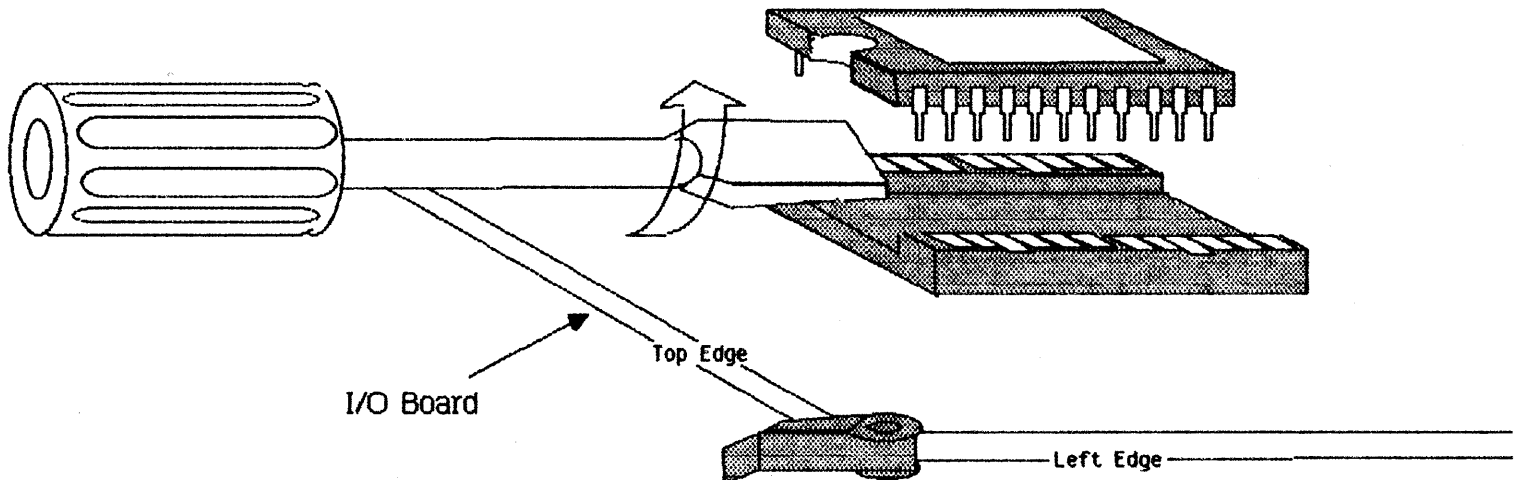


FIGURE 2: REMOVAL OF SOCKETED 24-PIN I/O ROM

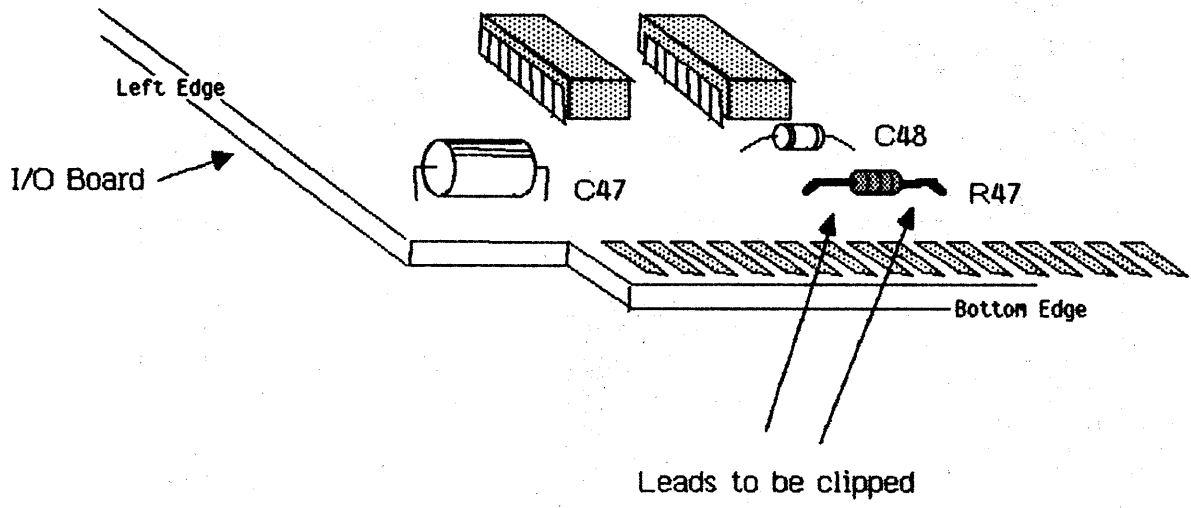


FIGURE 3: REMOVAL OF 1 K OHM RESISTOR R47

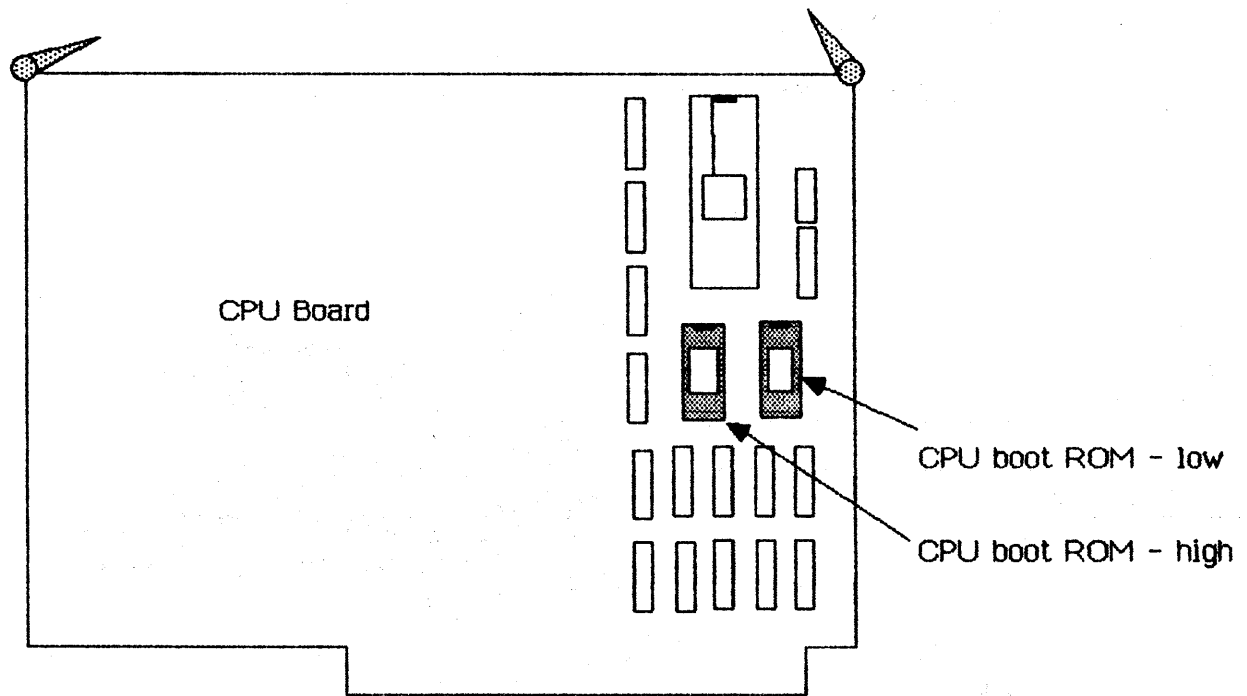


FIGURE 4: CPU BOOT ROMS TO BE REPLACED