

NOTE: UNLESS OTHERWISE SPECIFIED

SEE SHEET 2 FOR INSTALLATION OF FLEXCABLE (ITEM 6) AND ASSOCIATED HARDWARE.

2. BEND FLEXCABLE (ITEM 6) AS SHOWN. PRIOR TO ASSEMBLY, REMOVE ALL COATING TO EXPOSE ADHESIVE EXCEPT WHERE NOTED - SEE NOTE 3.

COVERING OVER ADHESIVE TO REMAIN INTACT IN INDICATED AREAS.

POINTING HOLES TO BE CONCENTRIC AFTER BENDING. ELECTRICAL SPECIFICATION

CONNECTOR:
 PIN 1 LED
 PIN 2 SENSOR CHIP, SEGMENT B
 PIN 3 SENSOR CHIP, GROUND
 PIN 4 SENSOR CHIP, SEGMENT A
 PIN 5 GROUND SHIELDS, COMMON WITH 12
 PIN 6 HEAD 1 CENTER
 PIN 7 HEAD 2 CENTER
 PIN 8 HEAD 3 CENTER
 PIN 9 GROUND SHIELDS, COMMON WITH 5
 PIN 10 SENSOR CHIP, SEGMENT B
 PIN 11 SENSOR CHIP, FEED-BACK SEGMENT FOR AGC
 PIN 12 SENSOR CHIP, SEGMENT A
 PIN 13 LED

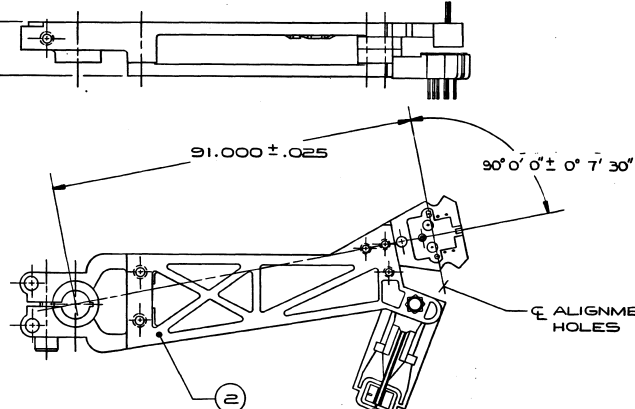
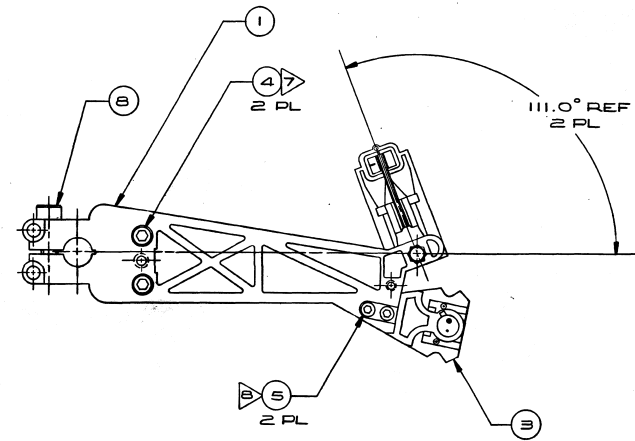
INPUT: PIN - PIN OUTPUT: PIN - PIN

MINIMUM OUTPUT (THROUGH RETICLE)
 (-) 16 (+) 25 mA
 (-) 2 (+) 10 mA
 (-) 2 (+) 0.5 mA

FORWARD BIASING (INTERNAL IMPEDANCE)
 (+) 2 (-) 10 mA
 (+) 2 (-) 0.5 mA

REVERSE BIASING (DARK CURRENT)
 (-) 2 (+) 0.5 mA
 (-) 2 (+) 0.5 mA

TRIM LEADS TO DIMENSIONS SHOWN AFTER SOLDERING.
 TORQUE SCREWS (ITEM 4) TO 5.5 IN/LBS.
 TORQUE SCREWS (ITEM 5) TO 3.0 IN/LBS.



▶ FLEXCABLE (ITEM 6) OMITTED FOR CLARITY

REV	ZONE	ECO #	REVISION	APPD
A		P565	INITIAL RELEASE (SK-W159-08)	
A	HC	P630	REVISED NOTE 5: FORWARD BIASING ≤ 2V WAS ≥ 2V & REVERSE BIASING ≤ 0.5mA WAS ≥ 0.5mA	

SEE SEPARATE BILL OF MATERIAL: 677-5013

METRIC		apple computer inc.	
NOTICE OF PROPRIETARY PROPERTY			
THE INFORMATION CONTAINED HEREIN IS THE PROPRIETARY PROPERTY OF APPLE COMPUTER, INC. AND IS TO BE KEPT CONFIDENTIAL. NO PART OF THIS DOCUMENT IS TO BE REPRODUCED OR TRANSMITTED IN ANY FORM OR BY ANY MEANS, ELECTRONIC OR MECHANICAL, INCLUDING PHOTOCOPYING, RECORDING, OR BY ANY INFORMATION STORAGE AND RETRIEVAL SYSTEM, WITHOUT THE WRITTEN PERMISSION OF APPLE COMPUTER, INC.			
SUBASSY, ARM, WIDGET		DATE	
REV		DATE	
REV 1		DATE	
REV 2		DATE	
REV 3		DATE	
REV 4		DATE	
REV 5		DATE	
REV 6		DATE	
REV 7		DATE	
REV 8		DATE	
REV 9		DATE	
REV 10		DATE	
REV 11		DATE	
REV 12		DATE	
REV 13		DATE	
REV 14		DATE	
REV 15		DATE	
REV 16		DATE	
REV 17		DATE	
REV 18		DATE	
REV 19		DATE	
REV 20		DATE	
REV 21		DATE	
REV 22		DATE	
REV 23		DATE	
REV 24		DATE	
REV 25		DATE	
REV 26		DATE	
REV 27		DATE	
REV 28		DATE	
REV 29		DATE	
REV 30		DATE	
REV 31		DATE	
REV 32		DATE	
REV 33		DATE	
REV 34		DATE	
REV 35		DATE	
REV 36		DATE	
REV 37		DATE	
REV 38		DATE	
REV 39		DATE	
REV 40		DATE	
REV 41		DATE	
REV 42		DATE	
REV 43		DATE	
REV 44		DATE	
REV 45		DATE	
REV 46		DATE	
REV 47		DATE	
REV 48		DATE	
REV 49		DATE	
REV 50		DATE	
REV 51		DATE	
REV 52		DATE	
REV 53		DATE	
REV 54		DATE	
REV 55		DATE	
REV 56		DATE	
REV 57		DATE	
REV 58		DATE	
REV 59		DATE	
REV 60		DATE	
REV 61		DATE	
REV 62		DATE	
REV 63		DATE	
REV 64		DATE	
REV 65		DATE	
REV 66		DATE	
REV 67		DATE	
REV 68		DATE	
REV 69		DATE	
REV 70		DATE	
REV 71		DATE	
REV 72		DATE	
REV 73		DATE	
REV 74		DATE	
REV 75		DATE	
REV 76		DATE	
REV 77		DATE	
REV 78		DATE	
REV 79		DATE	
REV 80		DATE	
REV 81		DATE	
REV 82		DATE	
REV 83		DATE	
REV 84		DATE	
REV 85		DATE	
REV 86		DATE	
REV 87		DATE	
REV 88		DATE	
REV 89		DATE	
REV 90		DATE	
REV 91		DATE	
REV 92		DATE	
REV 93		DATE	
REV 94		DATE	
REV 95		DATE	
REV 96		DATE	
REV 97		DATE	
REV 98		DATE	
REV 99		DATE	
REV 100		DATE	

677-5013-A 1/3