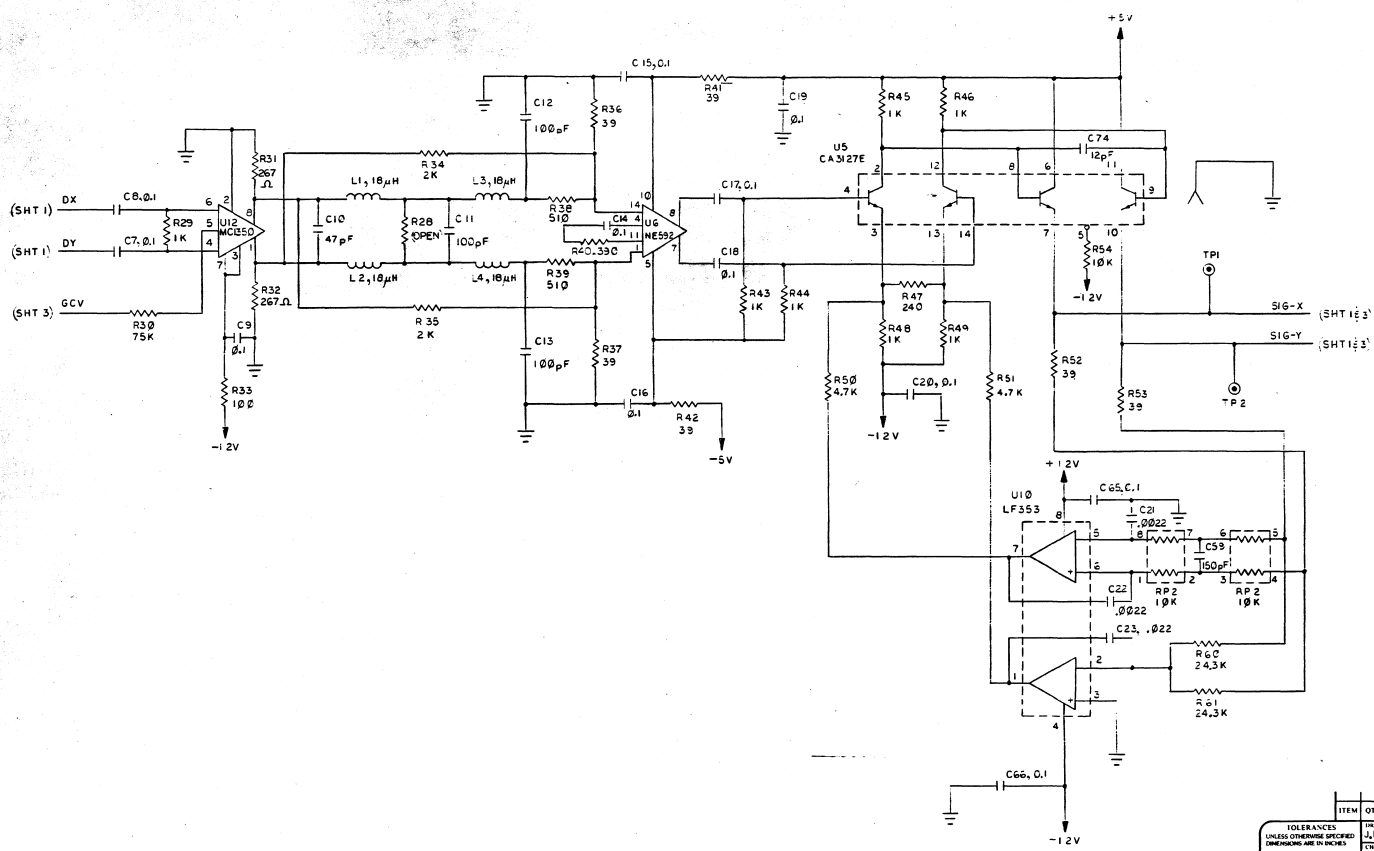


NOTE: UNLESS OTHERWISE SPECIFIED

REV.	DATE	BY	APP.	DATE



PRODUCTION RELEASE
This drawing is released for use in the production of the Apple Computer II. It is the property of Apple Computer, Inc. and is not to be distributed outside the Apple Computer, Inc. organization without the express written permission of Apple Computer, Inc.

ITEM	QTY	PART NUMBER	DESCRIPTION
<p>TOLERANCES UNLESS OTHERWISE SPECIFIED DIMENSIONS ARE IN INCHES</p> <p>DECIMALS .XX ± .005</p> <p>FRACTIONS XX/XX ± .005</p> <p>ANGLES XX° ± 1°</p> <p>FRACT HOLE DRILLING DIMENSIONS ARE IN MILLIMETERS</p>			
MATERIAL		FINISH	
DRAWN BY J. REIS		DATE 10-26-83	
CHECKED BY		DATE	
APPROVED BY		DATE	
DESIGNED BY		DATE	
TITLE		DRAWING NUMBER	
SCHEMATIC, R/W BOARD, WIDGET		D 050-5028-B	
SCALE		SHEET 2 OF 4	

11-2-83