

[54] **METHOD FOR STORING A SECOND NUMBER AS A COMMAND ADDRESS OF A FIRST PERIPHERAL DEVICE AND A THIRD NUMBER AS A COMMAND ADDRESS OF A SECOND PERIPHERAL DEVICE**

0104545 4/1984 European Pat. Off. .
 59-52331 3/1984 Japan .
 1508854 4/1978 United Kingdom .
 1518565 7/1978 United Kingdom .
 2035636 6/1980 United Kingdom .
 2070826 5/1984 United Kingdom .
 0143160 6/1985 United Kingdom .
 2167274 5/1986 United Kingdom .
 0207313 1/1987 United Kingdom .

[75] Inventors: Peter B. Ashkin, Gatos; Michael Clark, Glendale, both of Calif.

[73] Assignee: Apple Computer, Inc., Cupertino, Calif.

[21] Appl. No.: 132,123

[22] Filed: Dec. 14, 1987

Related U.S. Application Data

[62] Division of Ser. No. 765,396, Aug. 14, 1985.

[51] Int. Cl.⁴ G06F 13/42

[52] U.S. Cl. 364/200; 364/229.2; 364/240.8; 364/261; 364/284.3; 340/825.52

[58] Field of Search ... 364/200 MS File, 900 MS File, 364/514; 340/825.08, 825.07, 825.50, 825.52, 825.22; 370/85

References Cited

[56]

U.S. PATENT DOCUMENTS

3,221,307	11/1965	Manning et al.	364/200
3,646,534	2/1972	Miller	360/40
3,715,725	2/1973	Kievit et al.	364/900
3,787,627	1/1974	Abramson et al.	370/67
3,836,888	9/1974	Boenke et al.	364/200
3,863,025	1/1975	Gonsewski et al.	375/55
3,979,723	9/1976	Hughes et al.	370/88 X
4,063,220	12/1977	Metcalfe et al.	340/825.5
4,071,908	1/1978	Brophy et al.	364/900
4,345,250	8/1982	Jacobsthal	340/825.5
4,360,870	11/1982	McVey	364/200
4,373,181	2/1983	Chisholm et al.	364/200
4,442,502	4/1984	Friend et al.	364/900
4,498,169	2/1985	Rozumus	370/85
4,562,535	12/1985	Vincent et al.	364/200
4,568,930	2/1986	Livingston et al.	340/825.5

(List continued on next page.)

FOREIGN PATENT DOCUMENTS

0051425 5/1982 European Pat. Off. .

OTHER PUBLICATIONS

Hill et al., "Dynamic Device Address Assignment Mechanism", IBM TDB vol. 23, No. 8, Jan. 1981, pp. 3564-3565.

Search Report, dated May 21, 1986, for British Patent Application No. 8607632.

Primary Examiner—Thomas C. Lee

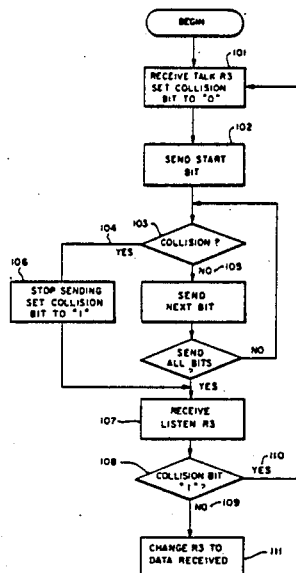
Attorney, Agent, or Firm—Blakely, Sokoloff, Taylor & Zafman

ABSTRACT

[57]

A method for transferring data on a communication medium between a host computer and a plurality of peripheral devices coupled to the medium at a plurality of first address locations, including first and second peripheral devices at a one of the first address locations. The host computer transmits a plurality of first signals to the one of the first address locations requesting any peripheral devices at the one of the first address locations to transmit data to the host computer. The first peripheral device senses the medium to determine if the medium is currently in use. The second peripheral device senses the medium to determine if the medium is currently in use. The first peripheral device transmit data to the host computer when the medium is not in use. The second peripheral device discontinues the transmission of data when the medium is in use and sets an internal collision flag. The host computer transmits a plurality of second signals, including a second address, to the one of the first address locations, the second address becoming an address for the first peripheral device, and the second address not becoming an address for the second peripheral device, given that the internal collision flag for the second peripheral device is set.

11 Claims, 4 Drawing Sheets



U.S. PATENT DOCUMENTS

4,570,220	2/1986	Tetrick et al.	364/200	4,660,141	4/1987	Ceccon et al.	364/200
4,589,063	5/1986	Shan et al.	364/200	4,667,193	5/1987	Cotie et al.	340/825.08
4,595,921	6/1986	Wang et al.	340/825.8	4,675,813	6/1987	Locke	364/200
4,608,559	8/1986	Friedman et al.	340/825.5	4,677,613	6/1987	Salmund et al.	370/85
4,608,689	8/1986	Sato	371/15	4,680,583	7/1987	Grover	340/825.52
4,611,274	9/1986	Machino et al.	364/200	4,701,878	10/1987	Gunket et al.	364/900
4,620,278	10/1986	Ellsworth et al.	364/200	4,710,893	12/1987	McCutcheon et al.	364/900
4,626,846	12/1986	Parker et al.	340/825.5	4,716,410	12/1987	Nozaki	340/825.52
4,628,478	12/1986	Henderson, Jr.	364/900	4,727,475	2/1988	Kiremdjian	364/200
4,638,313	1/1987	Sherwood, Jr. et al.	340/825.52	4,760,553	7/1988	Buckley et al.	364/900
				4,773,005	9/1988	Sullivan	364/200
				4,775,931	10/1988	Dickie et al.	364/200

FIG 1

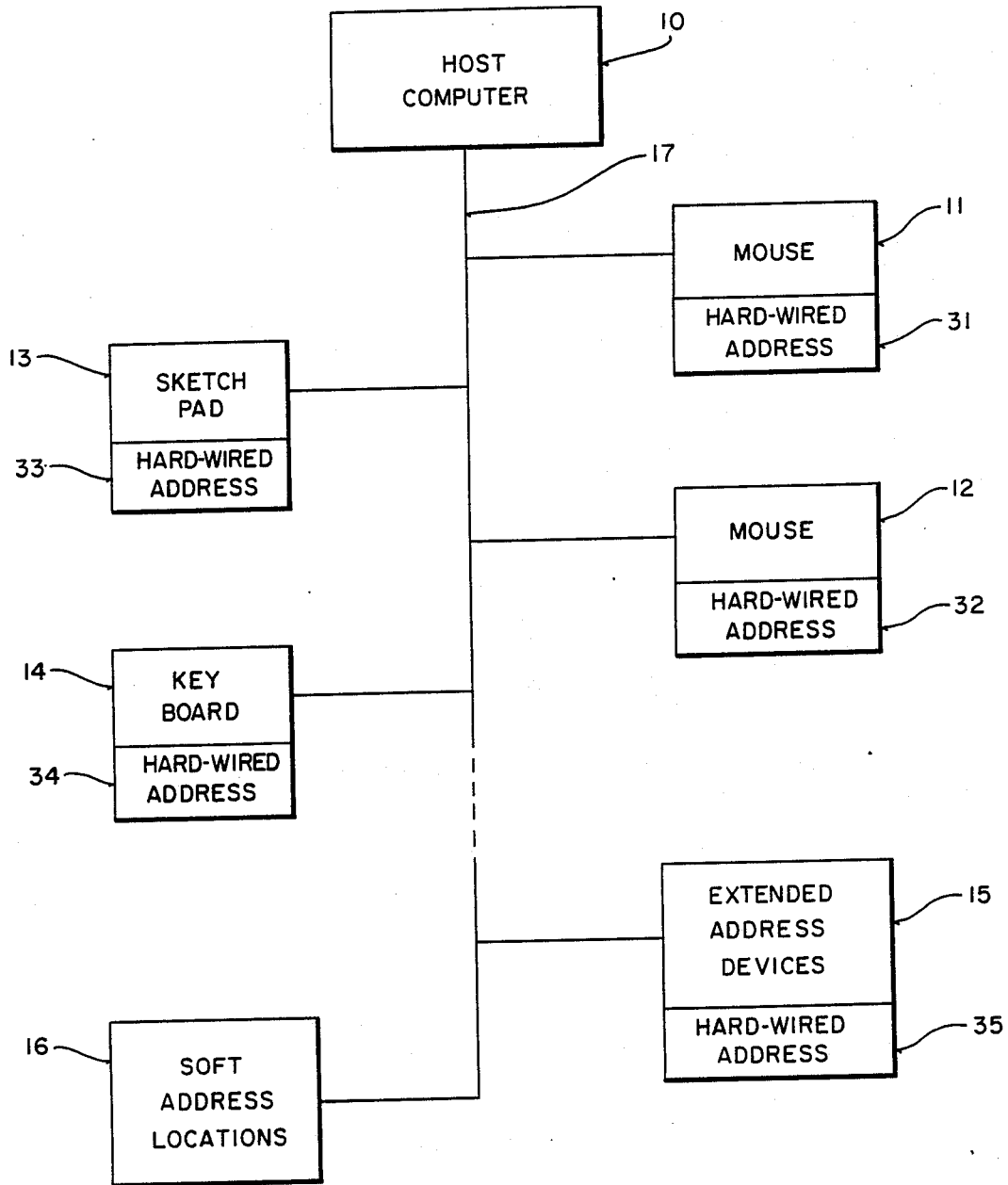


FIG 6

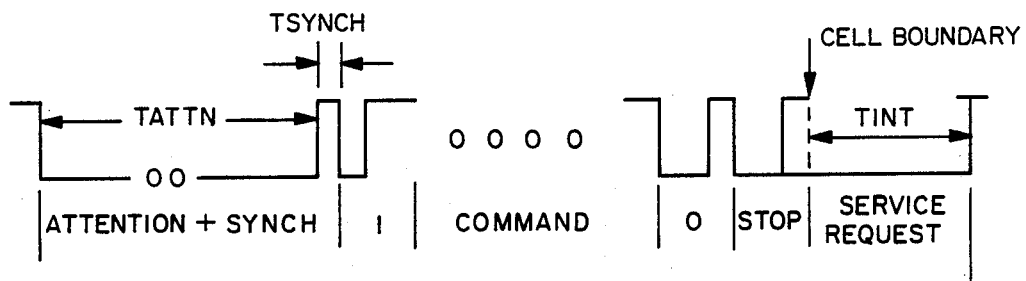


FIG 2

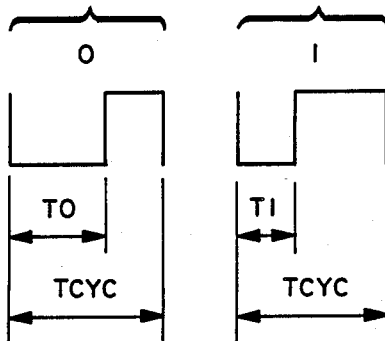


FIG 3

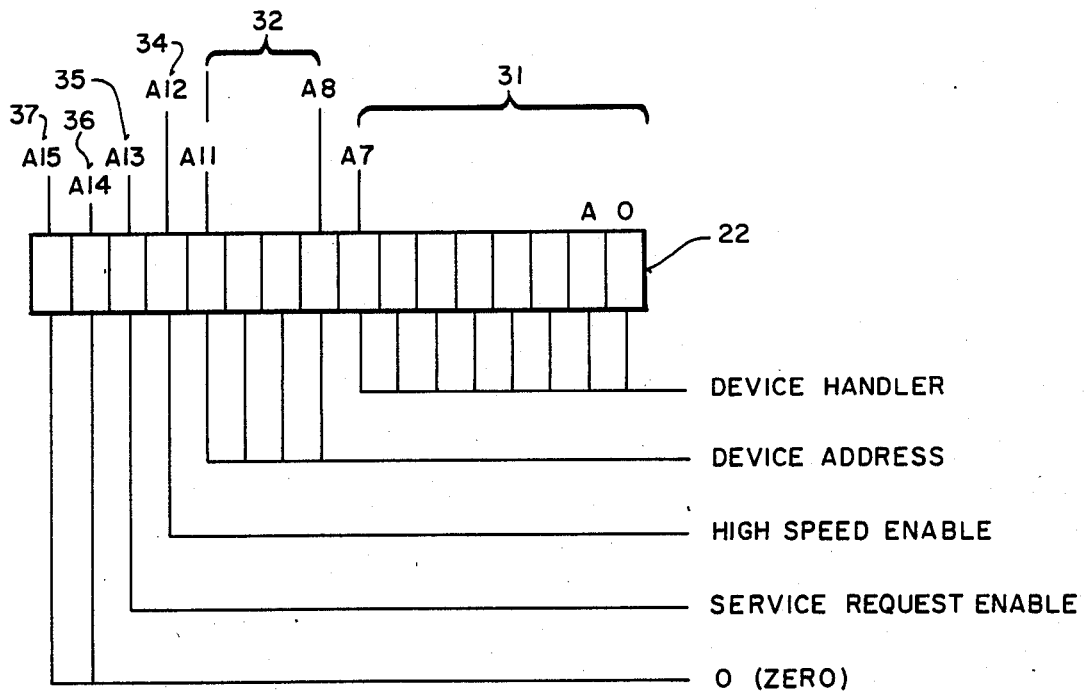


FIG 4

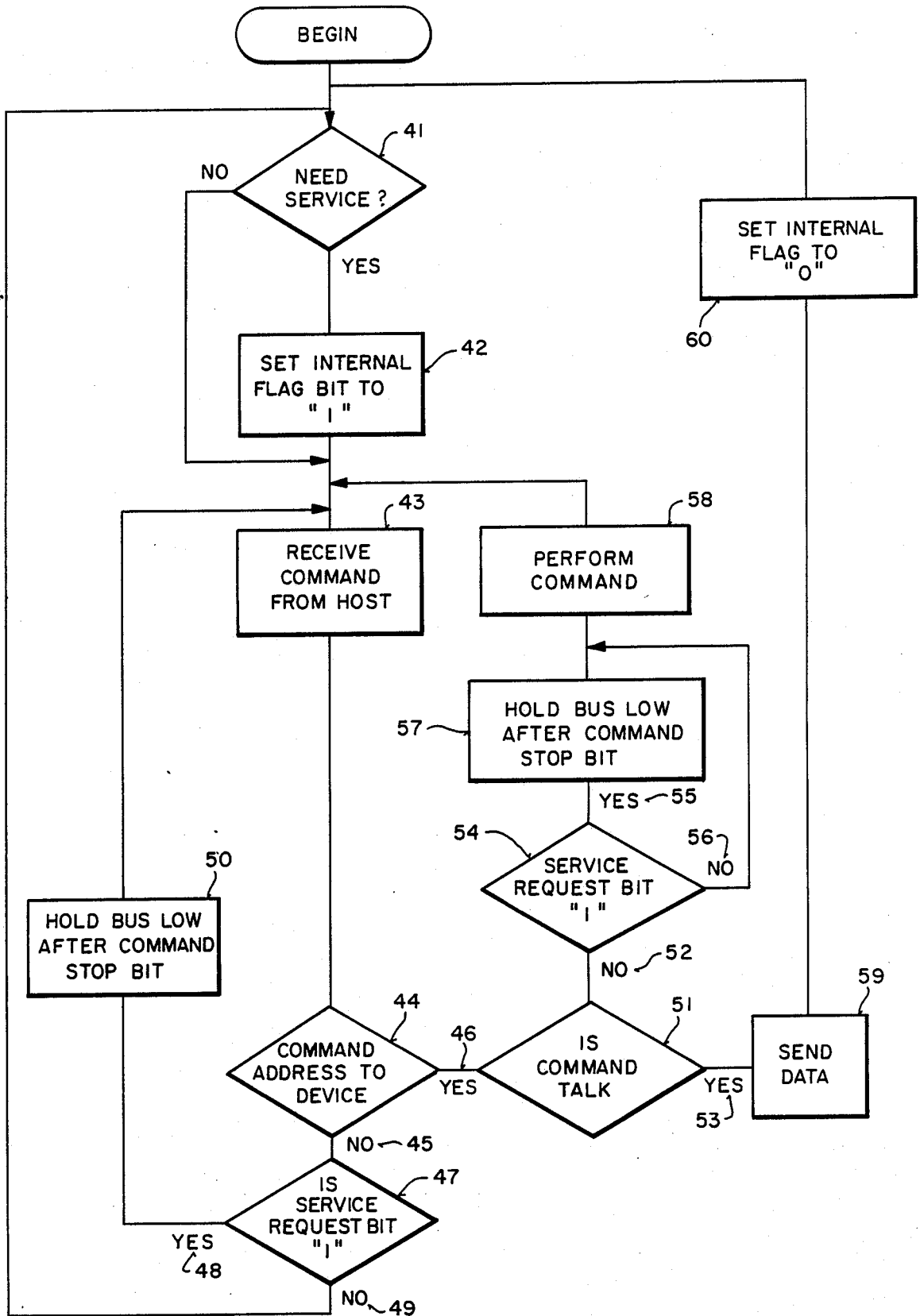
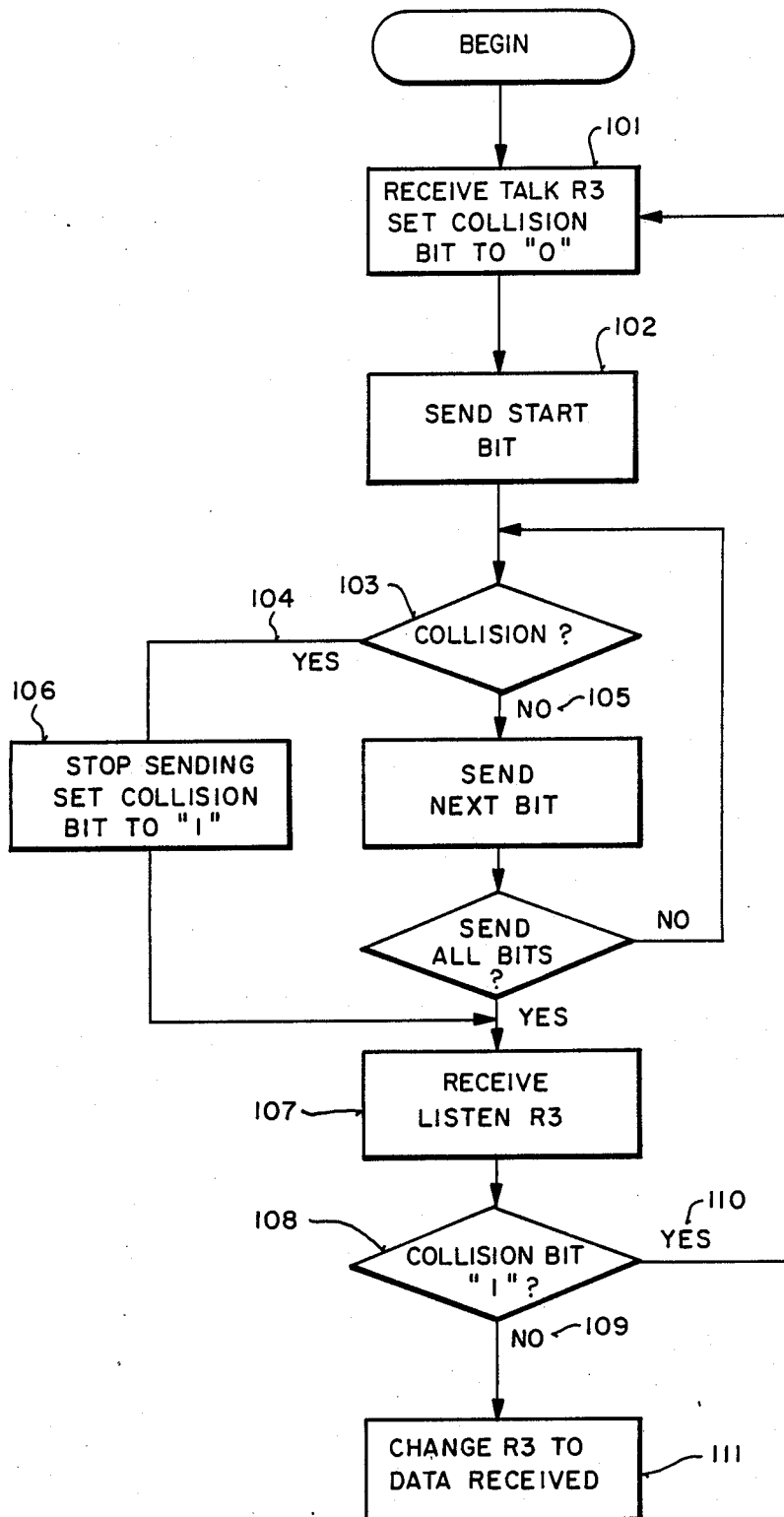


FIG 5



**METHOD FOR STORING A SECOND NUMBER AS
A COMMAND ADDRESS OF A FIRST
PERIPHERAL DEVICE AND A THIRD NUMBER
AS A COMMAND ADDRESS OF A SECOND
PERIPHERAL DEVICE**

This is a (divisional) of application Ser. No. 765,396 filed Aug. 14, 1985.

BACKGROUND OF THE INVENTION

1. Field of the Invention

This invention relates the field of communications media for transferring data between a source and a plurality of peripheral devices coupled to the source. More particularly, the present invention relates to data transfer along a peripheral device bus between a plurality of peripheral devices and a host computer.

2. Art Background

In the computing industry, it is quite common to transfer data and commands between a plurality of data processing devices, such as for example, computers, printers, memories and the like. The interconnection of computers and other peripheral devices principally developed in the early 1970's with the advent of computer networking systems, which permitted the distribution of access to computing resources beyond the immediate proximity of a main frame computer.

Networks, such as the ARPA network, were developed to provide access by various users to large time-sharing systems and the transfer of data between such systems. In the case of geographically local networks, so-called "local area networks" (LANs) were developed to connect together a collection of computers, terminals and peripherals located, typically in the same building or adjacent buildings, and permitted each of these devices to communicate among themselves or with devices attached to other networks. Local area networks permit the implementation of distributed computing. In other words, some of the devices coupled to the local area network may be dedicated to perform specific functions, such as file storage, data base management terminal handling, and so on. By having different machines perform different tasks, distributed computing can make the implementation of the system simpler and more efficient.

Presently, networking has only been applied to provide communications between data processing devices, which are machine input devices. However, it would also be useful to provide a networking means to provide communication between a single computer and a plurality of peripheral devices such as human input devices, listen only devices, appliances, etc. Human input devices include keyboards, cursor control devices (such as a "mouse"), and sketch pads, etc. Listen only devices include transaction logs, etc. In the prior art, such devices are attached to a host computer through a port dedicated to each device. Often, additional "cards" are required to allow a peripheral input device to be added. Further, the addition of cards requires that the host computer be powered down, with a mechanism for adding peripheral devices to a live system. Such prior art systems are inefficient since peripheral devices are not generally operated simultaneously. (for example, someone using a mouse is generally not using the keyboard or sketchpad at the same time). Thus, the devices could share a common line to the host computer with-

out creating data traffic problems, eliminating the need for cards.

Prior art networking schemes also include elaborate methods for establishing control of the network to allow a device to transmit. Such systems are not needed for networking of peripheral devices, since only one is generally used at a time. In addition, prior art networking schemes provide for means for attached devices to identify themselves to each other through elaborate "handshaking" schemes. Again, such complexity is not required to connect peripheral devices since there is no need for these devices to identify themselves to other devices, only to the host computer.

Therefore, it is an object of the present invention to provide a communications medium for a plurality of peripheral devices, which provides a simple and efficient means for coupling those devices to a host computer.

It is a further object of the present invention to provide a communications medium by which all such peripheral devices can be coupled to a host computer at a single input.

It is still another object of the present invention to provide a communications medium which provides a means for peripheral devices to indicate a need for servicing to the host computer.

It is yet another object of the present invention to provide a communications medium which provides a means for determining if the communications medium is in use.

It is another object of the present invention to provide a communications medium which allows peripheral devices to be added during operation of the system.

SUMMARY OF THE INVENTION

A communications medium is disclosed including apparatus and methods for transferring data between a plurality of peripheral devices and a host computer. In the preferred embodiment, a plurality of peripheral devices such as human input devices (including mice, keyboards, sketchpads, etc.), appliances, listen only devices, etc., are coupled to a common cable for data transmission and reception of commands. A peripheral device coupled to the cable may signal the host computer when it requires servicing. This peripheral device will continue to request service until the host computer commands it to transmit its data. All peripheral devices of the same generic type (e.g., all keyboards), may have an identical hard wired address used as an identification number. In this manner, the host computer can identify the generic type of device communicating on the cable. If more than one of the same type of device is coupled to the cable (e.g., 2 mice), the host computer will assign new addresses in the status registers of the mice so they can be differentiated.

In the preferred embodiment, a return to zero modulation scheme is used to transmit data and commands over the cable. As a result, a peripheral device will assume a collision if it attempts to transmit a high signal on the cable and the cable is pulled low by another device. In order to simplify the protocol of the system, only the computer can initiate communication.

The present invention permits the addition of peripheral devices to a computer while the computer is in use, without the need to power down the computer system. The present invention can be embodied in a narrow band medium, as well as broad band, fiber optic, infra-red and other media.

BRIEF DESCRIPTION OF THE DRAWINGS

FIG. 1 is block diagram illustrating the networking system of the present invention.

FIG. 2 is a timing diagram illustrating the present invention's use, of return to zero encoding.

FIG. 3 illustrates a register of a peripheral device of the present invention.

FIG. 4 is a flow chart illustrating the sequence of operations utilized by a peripheral device to request service by the host computer.

FIG. 5 is a flow chart illustrating the sequence the operations utilized to provide new addresses to devices sharing the same hard-wired address.

FIG. 6 is a timing diagram illustrating a command transaction of the present invention.

DETAILED DESCRIPTION OF THE INVENTION

A peripheral device bus including apparatus and methods for transferring data between a plurality of peripheral devices coupled to a host computer is disclosed. In the following description numerous specific details are set forth, such as specific numbers, registers, addresses, times, signals, and formats, etc., in order to provide a thorough understanding of the present invention. However, it will be apparent to one skilled in the art that the present invention may be practiced without these specific details. In other instances, well-known circuits and devices are shown in block diagram form in order not to unnecessarily obscure the present invention.

Referring to FIG. 1, the preferred embodiment of the present invention may be seen. A plurality of peripheral devices, generally identified by numbers 11 through 16 are coupled through a single cable 17 to a host computer 10. In the preferred embodiment, all devices communicate with the host computer by a mini-phonograph jack with the following connector assignments; tip-power, ring-data, sleeve-power return. A "high" signal (1) is 2.4 volts minimum. A "low" signal (0) is 0.8 volts maximum. Although a single cable is contemplated in the preferred embodiment of the present invention, other communications media, such as broad band methods, fiber optic systems, and infrared signals, are contemplated.

The bus of the present invention supports coded devices, (for which a keystroke represents a symbol or a function, such as a keyboard 14), relative devices, (in which movement of a display cursor in response to a control device, such as a mouse 11 or 12, may be from any starting point), and absolute devices (for which there is a constant and direct relationship between display position and device position, such as sketch pad 13).

The system also permits the networking of extended address devices. Extended address devices share a common hard wired address 35, but further include an address unique to the individual device which the host computer must recognize before the device can be accessed. For example, it is contemplated that appliances may be coupled to the host computer and controlled by the host computer. In such a situation, all appliances would have an identical hardwired fixed address. The host computer, on a first level, would simply address the hard wired address for appliances. At this time, all appliances coupled to that address are inactive. An individual appliance may be activated by the host computer if the host computer sends a signal to that appliance which matches the extended address of the appli-

ance. An extended address i an individual identification number, which, in the preferred embodiment, may be up to 64 bytes long. Once the host computer has provided the extended address, the device having that address is active. Subsequent commands to the appliance address location will be executed by that device without the need for providing the extended address each time. An activated appliance will respond to all commands to the appliance address, while unactivated devices remain passive. To deactivate an active extended address device, the host computer provides the extended address of another extended address device, activating it and deactivating the previously active device. It is contemplated that any device which could be controlled by the host computer is suitable for the present networking scheme, such as lights, ovens, sprinkler systems, phone answering machines, etc. It is contemplated that at least one other hardwired address for extended address devices be provided in the present system. Such an address would be used for system protection schemes or user identification schemes. For example, a device at this location could contain an extended address which must be provided by the system user before the system could be enabled. In other instances, individual operations could require that the extended address of other security devices be provided by the host computer prior to performance. Such security devices could function as "keys" to lock the entire system or certain operations performed on the system.

Also reserved for use on the network of the present invention are soft address locations 16. Soft address locations are reserved for duplicates of peripheral devices coupled to the bus. When more than one mouse is coupled to the bus, for example, the host computer assigns new addresses to each mouse, those addresses being at the soft address locations.

Although specific examples have been given for each type of device coupled to the bus, there may be more than one kind of each type of device with that address. For example, a sketch pad has been given as an absolute device but a touch screen would also be considered an absolute device and be assigned the same fixed command address as the sketch pad. In those situations, the host computer will assign new addresses from the soft address locations to each device.

In the preferred embodiment of the present invention, the various peripheral devices have been assigned addresses as shown below:

Address	Device Types	Example
0000 (zero)	extended address device	security systems, user ID
0001 (one)	extended address device	appliances
0010 (two)	coded devices	keyboard
0011 (three)	relative devices	mouse, track ball
0100 (four)	absolute devices	sketchpad, touch screen
0101 (five)	reserved	none
0110 (six)	reserved	none
0111 (seven)	reserved	none
1000 (eight)	soft addressed	duplicate peripheral devices
...
...
1111 (15)	soft addressed	duplicate peripheral devices

It will be appreciated by one skilled in the art that other addresses may be assigned to these devices con-

taining more or less bits than in the preferred embodiment. Fixed hard-wired addresses 31, 32, 33 and 34 are shown in FIG. 1 for mouse 11, mouse 12, sketch pad 13, and keyboard 14, respectively.

All peripheral devices have four registers in the preferred embodiment to receive data and send data. For each device, register 3 talk and register 3 listen have status information such as device address and handler information. The remaining registers are data registers which are device specific register 2 listen which contains the extended addresses for extended address devices or device specific contents for soft addressed devices.

In the preferred embodiment of the present invention, there are three types of communication on the peripheral bus: commands, data and global signals. Commands are sent from the host computer to the peripheral devices, data is sent from the host computer to the devices or from the devices to the host computer, and global signals are special messages sent to the entire system.

In the preferred embodiment data is encoded as the ratio of low time to high time of each bit cell. A bit cell boundary is defined by a falling edge on the bus. A "zero" is encoded as a bit cell in which the low time is greater than the high time. This is shown in FIG. 2 by bit cell 20. Therefore, a "1" is defined as a bit cell in which the low time is less than the high time as shown by cell 21 of FIG. 2. In the present preferred embodiment, a start bit is defined as a "1". A stop bit is a "0" which does not have an additional falling edge to define the bit cell time. The stop bit is used to synchronize the stopping of transactions on the bus.

The period for each bit cell of command signals and low speed data transmission is approximately 100 microseconds plus or minus 30%. For high speed data transmission, the bit cell is 50 microseconds plus or minus 1%. The format of a data transaction is a start bit (1), followed by up to 256 bits of data and ending with a stop bit. It will be appreciated that when other communications media are utilized, other signaling methods may be utilized.

Commands are sent only by the host. In the preferred embodiment of the present invention, there are three commands; talk, listen, and flush. As shown in FIG. 6, to signal the start of a command, an attention pulse is sent out. An attention pulse is generated by the host computer by transmitting a bus low for a period of "T-attn". In the preferred embodiment, T-attn is approximately 560-1040 microseconds. The attention pulse is followed by a synch pulse to give the initial bus timing. The following edge of the synch pulse is used as a timing reference for the first bit of the command. The command is followed by a stop bit, (in the preferred embodiment a "0"). After the stop bit, the bus returns to its normally high state unless a device requests service.

The command is an 8 bit value in the preferred embodiment. The command includes a 4 bit device address field which specifies the fixed hardwired address of the desired peripheral device (e.g., 0011 for a mouse). The next 2 bits form the command and the final 2 bits form a register address field which allows a specific register, R0-R3 within an addressed peripheral device to be specified. In the preferred embodiment, the commands have the following bit code:

Command	Code
Flush	01

-continued

Command	Code
Listen	10
Talk	11

The talk command orders the addressed device to provide its data to the host computer. The listen command orders the addressed device to accept data from the host computer and place it in one of its registers. The flush command has an effect on each device which is defined by the individual device. It can be used for such functions as clearing a register or resetting all keys on a keyboard so that they will be sent again.

When a peripheral device is addressed to talk, it must respond within a certain period, called the "time out" period. The time out, "Tlt", is approximately 140 to 260 microseconds (2 bit cells). The selected device, if it does not time out, becomes active on the bus and performs its data transaction, and then "untalks" itself and goes inactive on the bus.

Global signals are used for transactions which are neither commands nor data transactions. Global signals include: attention and synch, which is used to signal the start of a command and to give initial bus timing; service request, a transaction that devices use to signal the host that they require service; and reset, used to issue a break on the bus by holding the bus low for a minimum of "Tres", which is approximately 2.8 to 5.2 milliseconds, (40 bit cells). Global signals will be described in more detail in conjunction with other transactions.

Since a peripheral device can only send data when it has been commanded to talk by the host computer, the present system provides a means for a device to notify the host computer that it needs servicing. This is accomplished by having the device send a service request signal to the host computer. In the present invention, a service request is sent by holding the bus low after the stop bit of any command transaction. Each of the peripheral devices coupled to the bus include a number of registers (in the preferred embodiment four registers). FIG. 3 shows one of the registers for a peripheral device. Bit A13 has been identified as the service request enable bit. When this bit is set high by the host computer, the device is enabled to hold the bus low after the stop bit of a command transaction, as shown in FIG. 6, if the device needs service. A device will keep requesting service until it receives a talk command from the host. The flow chart in FIG. 4 shows the steps followed by a device requiring service.

Initially the device determines if it requires servicing Block 41, that is, if it has data to send to the host. If it does, it sets an internal flag bit Block 42. When the next command is sent out from the host Block 42, the device checks to see if the command is addressed to the device Block 44. If the command was not addressed to the device Branch 45, the device checks to see if its service request enable bit, (bit A13 of register 3), is set high Block 47. If so Branch 48, it holds the bus low after the command stop bit Block 50. (See FIG. 6) The device then waits until the next command is received from the host to see if it will be addressed to talk Block 43. If the command is addressed to the device Branch 46, the device determines if it is a command to talk Block 51. If it is not a command to talk Branch 52 the device sends a service request Block 57, performs whatever command is instructed Block 58, and awaits the next command Block 43. If the command is to talk Branch 53, the

device sends its data Block 59 and considers its service request to be satisfied Block 60. The device continues to monitor itself to determine when it needs service Block 41. By allowing the host computer to control the service request enable bit, more efficient operation of the bus is realized. When a service request is received, the host computer need only ask those devices whose service request bit was enabled whether they need servicing. Additionally, the host computer can disable certain devices that are not required for particular applications.

When sending data, the device is able to detect collisions. If a peripheral device tries to output a 1 and the data line is or goes to a 0, the device assumes it has lost a collision to another device. This means that another device is also sending on the bus. When this happens the losing device untalks itself from the bus and preserves the data which was being sent for retransmission. The device sets an internal flag bit if it loses a collision. Prior art peripheral devices were unable to detect collisions. This novel feature of the present invention permits more efficient operation of the communications medium. By having the device sense a collision, it can preserve the data that is transmitted and indicate to the host computer that it requires serving. Additionally, the collision detection scheme of the present invention does not require a waiting period before a collision is assumed. A device will end its transmission if the line is modulated by another device or simply not begin its transmission if the line is already in use. Further, this collision detection scheme is useful in locating multiple devices at a single hardwired address location, such as mouse 11 and mouse 12 of FIG. 1.

In such a situation, the host will change the address of the devices by forcing a collision of devices sharing the same address. The host achieves this by issuing a talk R3 command addressed to those devices. As shown in FIG. 3, Register 322 (one of the registers of the device) contains the following information. Bits A0 through A731 contain a device handler which tells the host computer the function of a device and the use of data provided by the device. Bits A8 through A1132 are an address field which can be changed when more than one device, having the same command address, is coupled to the bus. In that situation, one of the soft address locations are assigned to bits A8 through A1132 which then serve as the command address for that device. Until that time, those bit locations contain a random number which aids in the detection of collisions. For example, if two mice received a talk R3 talk command and both began talking at the same, neither would detect a collision. However, by having random numbers in the address field 32 of register 322, the output of the two devices will eventually differ. When that occurs, one of the devices will detect a collision and stop talking. Bit A1234 is a high speed enable bit which if set, provides for data transmission at the higher modulation rate (50 microseconds per bit frame). The high speed enable bit is set by the host computer. If the host computer is unable to receive data at the higher modulation rate, it sets the high speed enable bit low in each of the devices. If the host computer is able to accept data at the higher modulation rate, and the device is able to transmit at the higher rate, (that information being contained in the handler bits 31 of register 3), the host computer sets the high speed enable bit 34 high for the device. As previously mentioned, bit A13 35 is service request enable which is set by the host to enable the device to perform a service

request transaction. Bit A1436 and A1537 are reserved for future use and are set to 0.

When a device receives a talk R3 command the device provides its status (handler and address) to the host computer. If there are two devices of the same type coupled to the bus, only one can respond since the other will detect a collision. FIG. 5 shows the method of assigning new addresses on the bus.

After receiving a talk R3 signal Block 101 the device sends its status from Register 3. If the line goes low, the device determines that there has been a collision Branch 104, it stops sending (untalks itself) and sets an internal flag bit to indicate a collision Block 106. The host sends a listen R3 to the mouse address Block 107. Each command resets the internal collision flag of the device. The device checks to see if its collision bit is set Block 108. If the collision bit is not set Branch 109 the device changes A8 through A11 to the soft address provided by the listen R3 command Block 111. In this manner the address of the winning device is changed with the host computer keeping track of the new address of the device. If a collision bit is detected by the device after a listen R3 command Branch 110, the device does not change the soft address bits, but may change other fields in R3. The host computer sends out another talk R3 command Branch 101 to see if any devices remain at the mouse address. In this situation the remaining mouse will send its start bit Block 102, not detect a collision Branch 105, and send its status from register 3 Block 112. The host computer will send back a listen R3 command to the mouse address Block 107. The remaining mouse will not detect a collision bit being set in this instance Branch 109 so it will change bits A8 through A11 of register 3 to the soft address received from the host computer Block 111. The host computer then sends out another talk R3 command to the mouse address Block 101. This time, since no mouse remains at that address, the bus is timed out and the host computer knows that it has assigned new addresses to each of the mice sharing the mouse address.

In one embodiment of the present invention, peripheral devices have a device on them to indicate activity called the activator. The activator can be a special key on a keyboard or a button on a mouse. When more than one of a device is coupled to the bus, the host computer can display a message requesting one of the devices to use the activator. The host can then issue a listen R3 command which will change the address of the device which is activated. In this manner individual devices can be located and assigned new addresses in multiuser applications.

Thus, a peripheral device bus has been described which allows a plurality of peripheral devices to be coupled to a host computer through a single port.

What is claimed is:

1. A method for transferring signals and data, wherein the signals and data are transferred under the control of a host computer between the host computer and first and second peripheral devices, wherein the signals and data are transferred over a bus coupling the first and second peripheral devices to the host computer, wherein the bus is normally in a logical first state, and wherein the first and second peripheral devices each initially contain an identical first number as a command address for both the first and second peripheral devices, comprising the steps of:

the host computer transmitting a plurality of first signals over the bus, wherein the plurality of first

signals include a first talk command requesting any peripheral device with the first number as its command address to (1) transmit data to the host computer and (2) reset a collision detect bit of that peripheral device to a logical second state;

given that the first number is the command address of the first peripheral device, the first peripheral device responding to the first talk command by attempting to transmit data over the bus to the host computer and, at the same time, the first peripheral device looking for a collision that indicates that the bus is currently in use, wherein a collision is detected if the first peripheral device attempts to transmit data in the logical first state on the bus but the bus is in or goes to the logical second state;

given that the first number is the command address of the second peripheral device, the second peripheral device responding to the first talk command by attempting to transmit data over the bus to the host computer and, at the same time, the second peripheral device looking for a collision that indicates that the bus is currently in use, wherein a collision is detected if the second peripheral device attempts to transmit data in the logical first state on the bus but the bus is in or goes to the logical second state;

the first peripheral device not detecting a collision, and the first peripheral device transmitting its data to the host computer over the bus;

the second peripheral device detecting a collision and, as a result, (1) the second peripheral device setting the collision detect bit to the logical first state from the logical second state and (2) stopping the transmitting of data to the host computer from the second peripheral device over the bus;

the host computer transmitting a plurality of second signals over the bus, wherein the plurality of second signals include a first listen command requesting any peripheral device with the first number as its command address to accept data sent by the host computer;

the host computer sending a second number stored at a first soft address location as data over the bus;

given that the first number is the command address of the first peripheral device, the first peripheral device responding to the first listen command by storing the second number as the command address of the first peripheral device;

the second peripheral device not accepting the second number from the bus because the collision detect bit of the second peripheral device is set to the logical first state;

the host computer transmitting a plurality of third signals over the bus, wherein the plurality of third signals include a second talk command requesting any peripheral device with the first number as its command address to (1) transmit data to the host computer and (2) reset the collision detect bit of that peripheral device to the logical second state;

the first peripheral device not responding to the second talk command, given that the first number is no longer the command address of the first peripheral device;

given that the first number is the command address of the second peripheral device, the second peripheral device responding to the second talk command by attempting to transmit data over the bus to the host computer and, at the same time, the second peripheral device looking for a collision that indicates

that the bus is currently in use, wherein a collision is detected if the second peripheral device attempts to transmit data in the logical first state on the bus but the bus is in or goes to the logical second state;

the second peripheral device not detecting a collision, and the second peripheral device transmitting its data to the host computer over the bus;

the host computer transmitting a plurality of fourth signals over the bus; wherein the plurality of fourth signals include a second listen command requesting any peripheral device with the first number as its command address to accept data sent by the host computer;

the host computer sending a third number stored at a second soft address location as data over the bus;

the first peripheral device not responding to the second listen command, given that the first number is no longer the command address of the first peripheral device;

given that the first number is the command address of the second peripheral device, the second peripheral device responding to the second listen command by storing the third number as the command address of the second peripheral device.

2. The method of claim 1 for transferring signals and data, further comprising the steps of:

the host computer transmitting a plurality of fifth signals on the bus, wherein the plurality of fifth signals include a third talk command requesting any peripheral device with the first number as its command address to (1) transmit data to the host computer and (2) reset the collision detect bit of that peripheral device to the logical second state;

the first peripheral device not responding to the third talk command given that the first number is no longer the command address of the first peripheral device;

the second peripheral device not responding to the third talk command given that the first number is no longer the command address of the first peripheral device;

a time out period elapsing without the first and second peripheral devices responding, which indicates to the host computer that the host computer has completed assigning new command addresses to the first and second peripheral devices.

3. The method of claim 2 for transferring signals and data, wherein

the plurality of first signals comprise an attention signal, a synchronization signal, the first talk command, and a stop signal;

the plurality of second signals comprise an attention signal, a synchronization signal, the first listen command, and a stop signal;

the plurality of third signals comprise an attention signal, a synchronization signal, the second talk command, and a stop signal;

the plurality of fourth signals comprise an attention signal, a synchronization signal, the second listen command, and a stop signal; and

the plurality of fifth signals comprise an attention signal, a synchronization signal, the third talk command, and a stop signal.

4. The method of claim 3 for transferring signals and data, further comprising the step of any of the first and second peripheral devices requiring service generating a service request signal by holding the bus at a logical second state for a period of time after transmission of a

plurality of signals from the host computer on the bus, wherein the service request signal indicates to the host computer that at least one of the peripheral devices has data to send to the host computer and requests a command from the host computer that would permit the peripheral device to transmit the data to the host computer, and wherein transmission of the service request signal is selectively enabled or disabled by the host computer.

5. The method of claim 4 for transferring signals and data, wherein at least one of the first and second peripheral devices comprises a mouse.

6. The method of claim 4 for transferring signals and data, wherein at least one of the first and second peripheral devices comprises a sketch pad.

7. The method of claim 4 for transferring signals and data, wherein at least one of the first and second peripheral devices comprises a keyboard.

8. The method of claim 4 for transferring signals and data, wherein the data is transferred on the bus in a return-to-zero encoding scheme.

9. The method of claim 4 for transferring signals and data, wherein the logical first state is a logical high state and the logical second state is a logical low state.

10. The method of claim 9 for transferring signals and data wherein a third peripheral device is coupled to the host computer by the bus, wherein when the host com-

puter sends over the bus a first address of the third peripheral device and a signal that matches an extended address of the third peripheral device, the third peripheral device is initially activated, and wherein when the host computer then sends over the bus a subsequent command to the first address of the third peripheral device, the command is executed by the third peripheral device without the host computer sending the extended address of the third peripheral device.

11. The method of claim 10 for transferring signals and data, wherein a fourth peripheral device is coupled to the host computer by the bus, wherein the fourth peripheral device has the same first address as the third peripheral device, wherein the fourth peripheral device has an extended address different from the extended address of the third peripheral device, wherein when the host computer sends over the bus the extended address of the fourth peripheral device after the third peripheral device has been activated, the fourth peripheral device is initially activated and the third peripheral device is deactivated, and wherein when the host computer then sends over the bus a subsequent command to the first address of the fourth peripheral device, the command is executed by the fourth peripheral device without the host computer sending the extended address of the fourth peripheral device.

* * * * *

30

35

40

45

50

55

60

65