

ISSUE	DESCRIPTION	DATE	APPD
A	PROD REL PER ECO 1064	7/17/81	Tom 10/10/81
B	PROD REL PER ECO 1085	4/17/81	
C	ECO 2010	WR 1/10/82	<i>[Signature]</i>
D	ECO 2092	1/14/82	<i>[Signature]</i>
E	ECO 2167	1/14/82	<i>[Signature]</i>
F	ECO 2303	9/28/82	Tom
G	ECO 2401	5/16/84	Tom

NOTES:

① SEE SHT 2 FOR ADDRESS SWITCH DECODE TABLE

⑦ -02 STANDARD JUMPER OPTION
CUT E21 TO E22

JUMPER PLUG		
E14	TO	E15
E20	TO	E21

⑧ FOR -03 VERSION 512 JUMPER ONLY
WITH 2 INTERRUPTS

JUMPER PLUG		
E14	TO	E16
E21	TO	E22
E44	TO	E45

DISABLE SI ON
CSR READ

ADD INTF DS B
ON 512 PWR DOWN

② -01 STANDARD JUMPER OPTION

JUMPER PLUG		
E14	TO	E15
E21	TO	E22

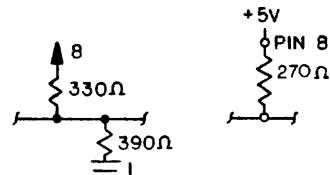
③ THIS INTERFACE FOR IPL WITH BYTE SWAP
ONLY AED SOFTWARE DOES NOT SUPPORT
THIS OPTION.

④ INTERRUPT VECTOR TABLE /STD. VECTOR 150

V6	V5	V4	V3
E42	E40	E44	E38
E43	E41	E45	E39
2 ⁶	2 ⁵	2 ⁴	2 ³

NO JUMPER = BIT INSERTED

5. ALL 331/391 C RESISTOR NETWORKS OF THIS
CONFIGURATION:



A4 SHALL BE REPRESENTED BY THIS SYMBOL:

A5-7 SHALL BE REPRESENTED BY THIS SYMBOL:

6.

PULL-UP NET TABLE	
DESIGNATION	RESISTOR
+A	A73-13
+B	R9
+C	R11

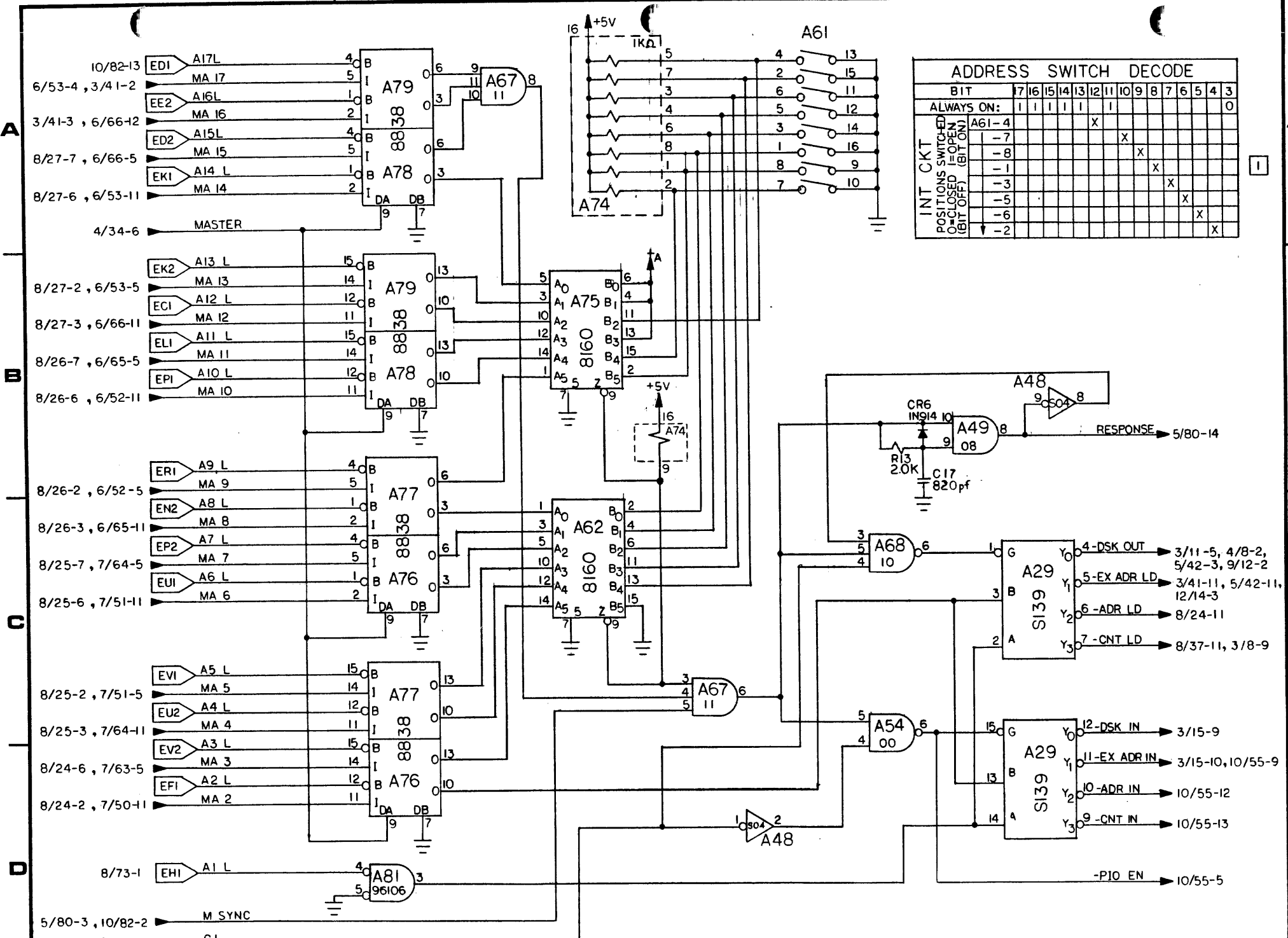
-01:02	120023	2500
-01:02		6200LS/LD
-01:02		31/62 P
01:02		31/62 LP
-03	120023	512
CASH NO.	NEXT ASSY	USED ON
APPLICATION		

MASTER

IF THIS STATEMENT APPEARS
IN RED, RETURN TO:
DOCUMENT CONTROL

-03	-02	-01	PART NUMBER	CODE IDENT	DESCRIPTION	ITEM NO.
QTY REQD						
TOLERANCE UNLESS OTHERWISE SPECIFIED			MATERIAL			
.XX = ±			FINISH			
.XXX = ±			DRAWING TITLE			
ANGULAR SURFACE			PDP-1111/F BD. (EMBEDDED)			
SCALE			ADVANCED ELECTRONICS DESIGN, INC. SUNNYVALE, CALIF. 94088			
CASH NO.			DRAWING NUMBER		REV	
			120024 - XX		G	

BWN: 7-22-80
CHK: 8-12-80
APPD: *[Signature]*



ADDRESS SWITCH DECODE

BIT	17	16	15	14	13	12	11	10	9	8	7	6	5	4	3
ALWAYS ON:	1	1	1	1	1	1	1								0
INT CKT															
POSITIONS SWITCHED															
0=CLOSED (BIT ON)															
1=OPEN (BIT OFF)															
A61-4					X										
-7						X									
-8							X								
-1								X							
-3									X						
-5										X					
-6											X				
-2												X			

1

2

3

4

A

A

B

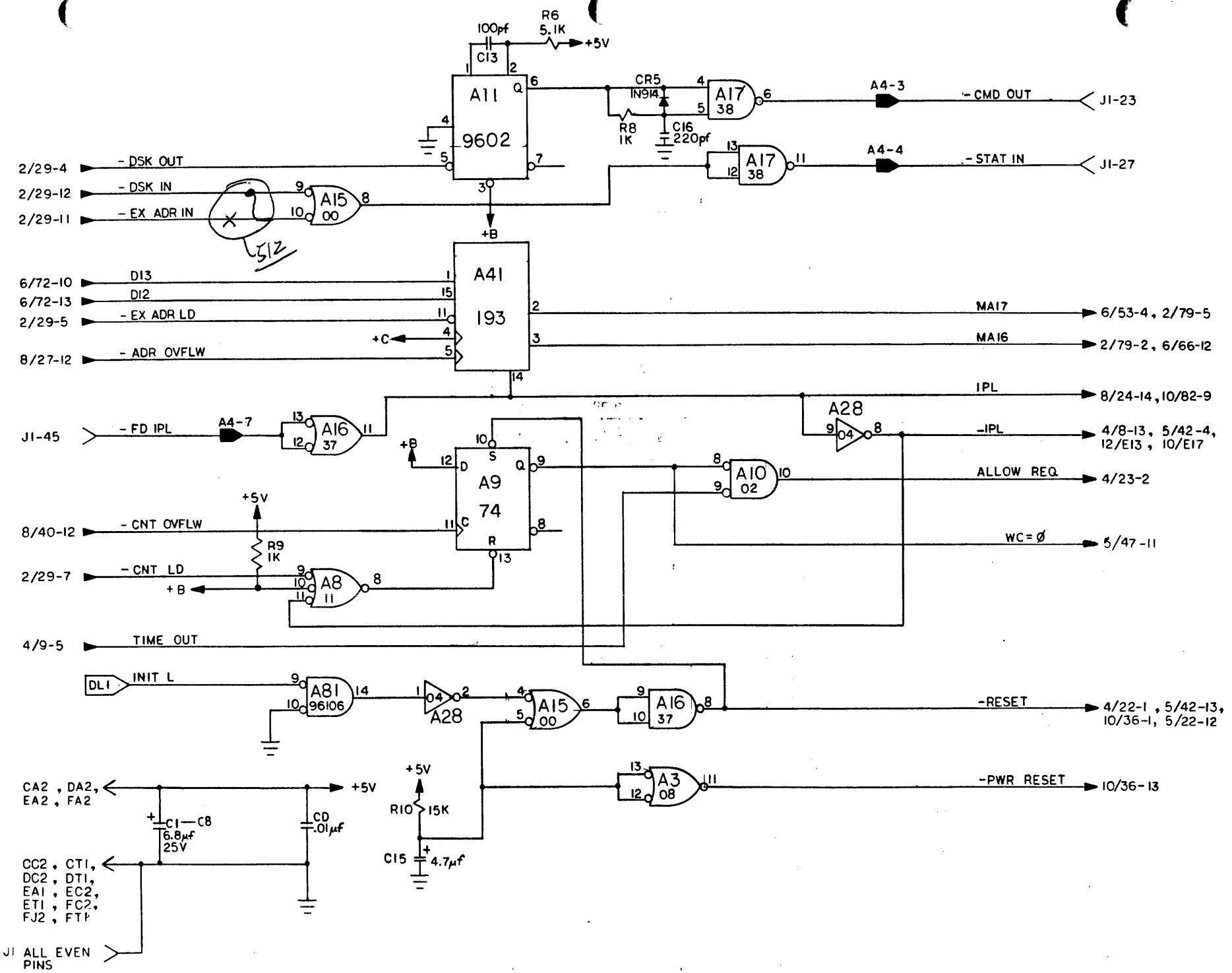
B

C

C

D

D



	ADVANCED ELECTRONICS DESIGN, INC.	C DRAWING NUMBER 120024-XX	REV G
	SUNNYVALE, CALIF. 94086		

1

2

3

4

A

A

B

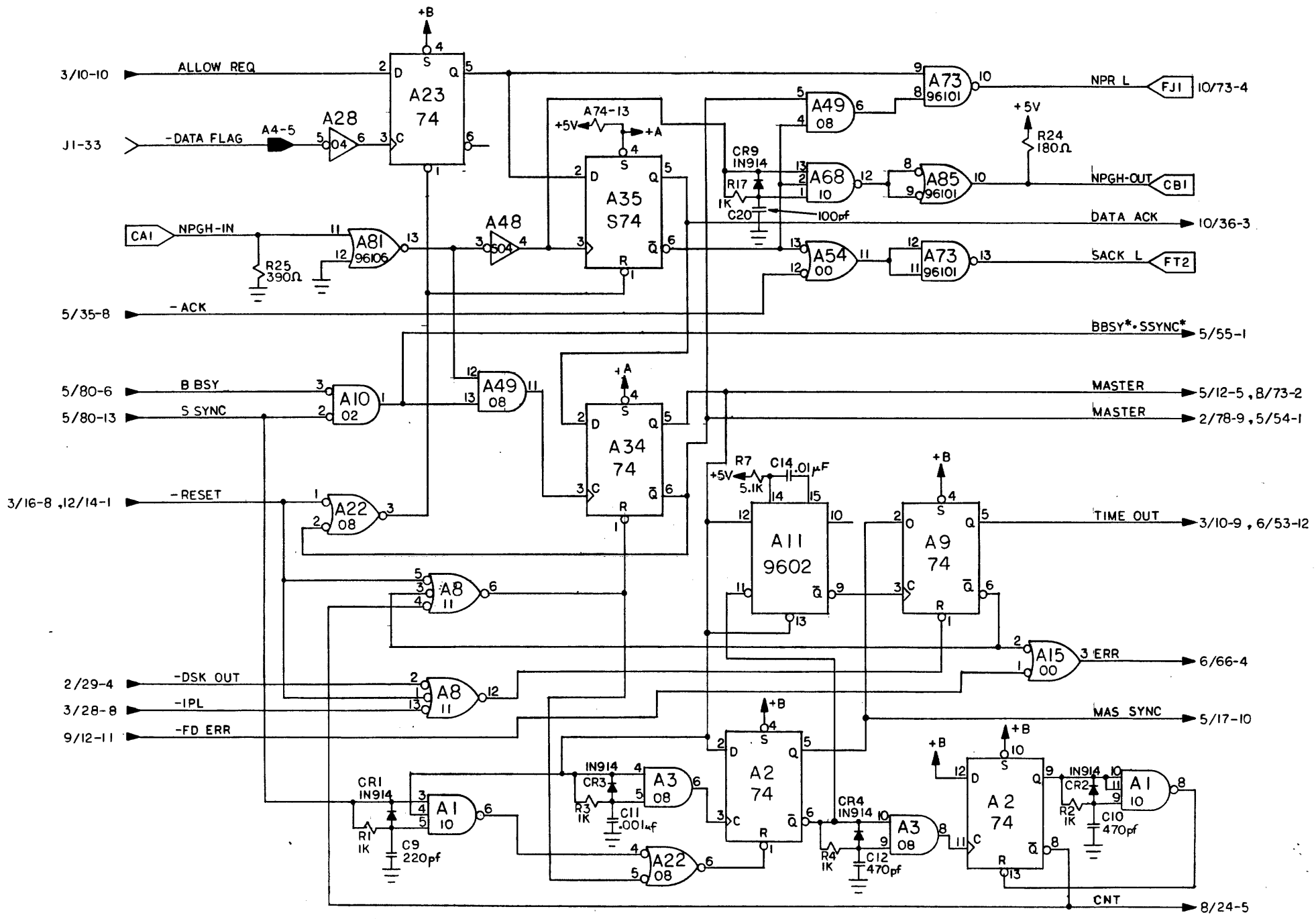
B

C

C

D

D



	ADVANCED ELECTRONICS DESIGN, INC. SUNNYVALE, CALIF. 94088	C	DRAWING NUMBER 120024 -XX	RFV G
	SHEET 4 OF 17			

A

B

C

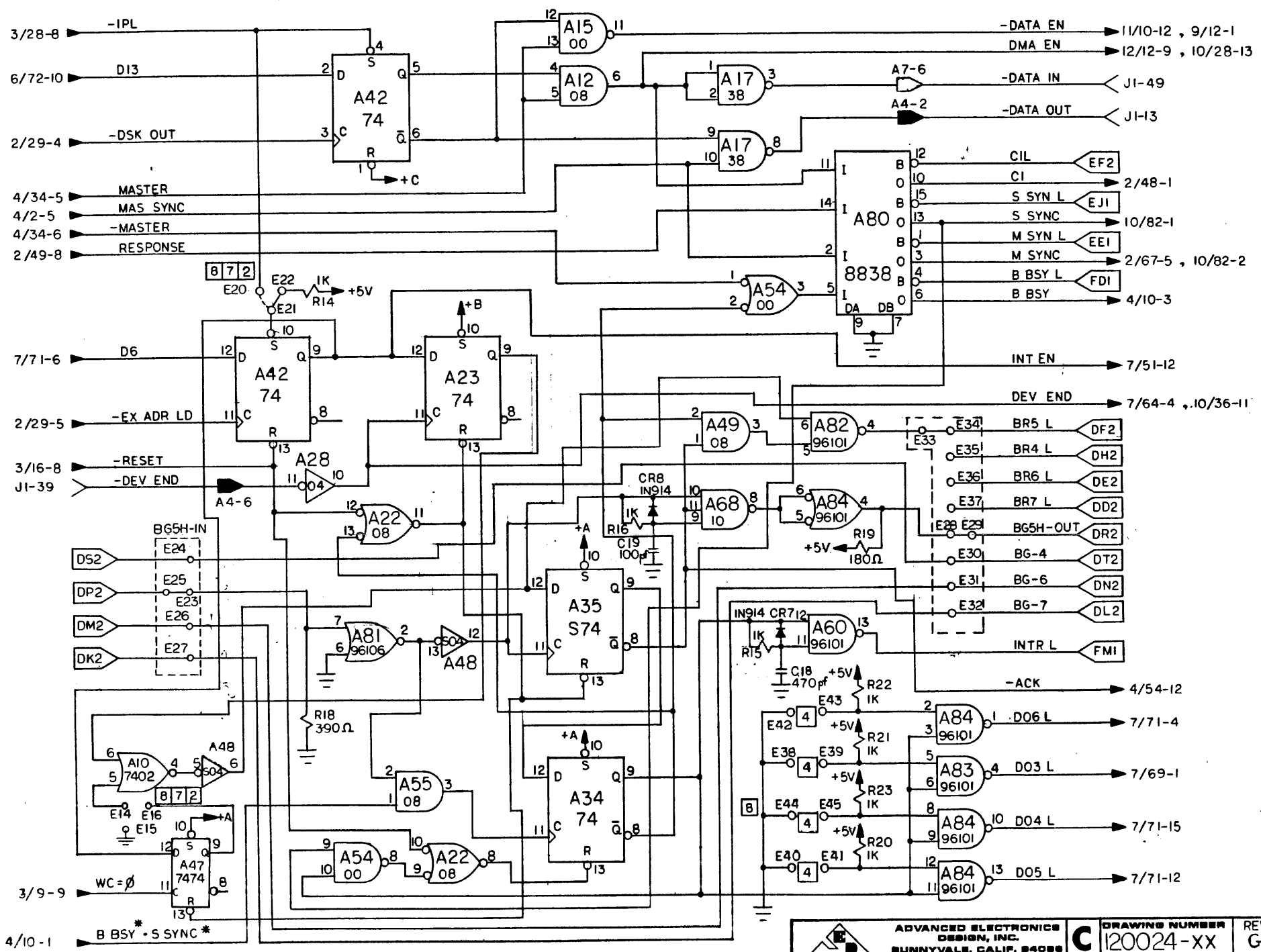
D

A

B

C

D



1

2

3

4

A

A

B

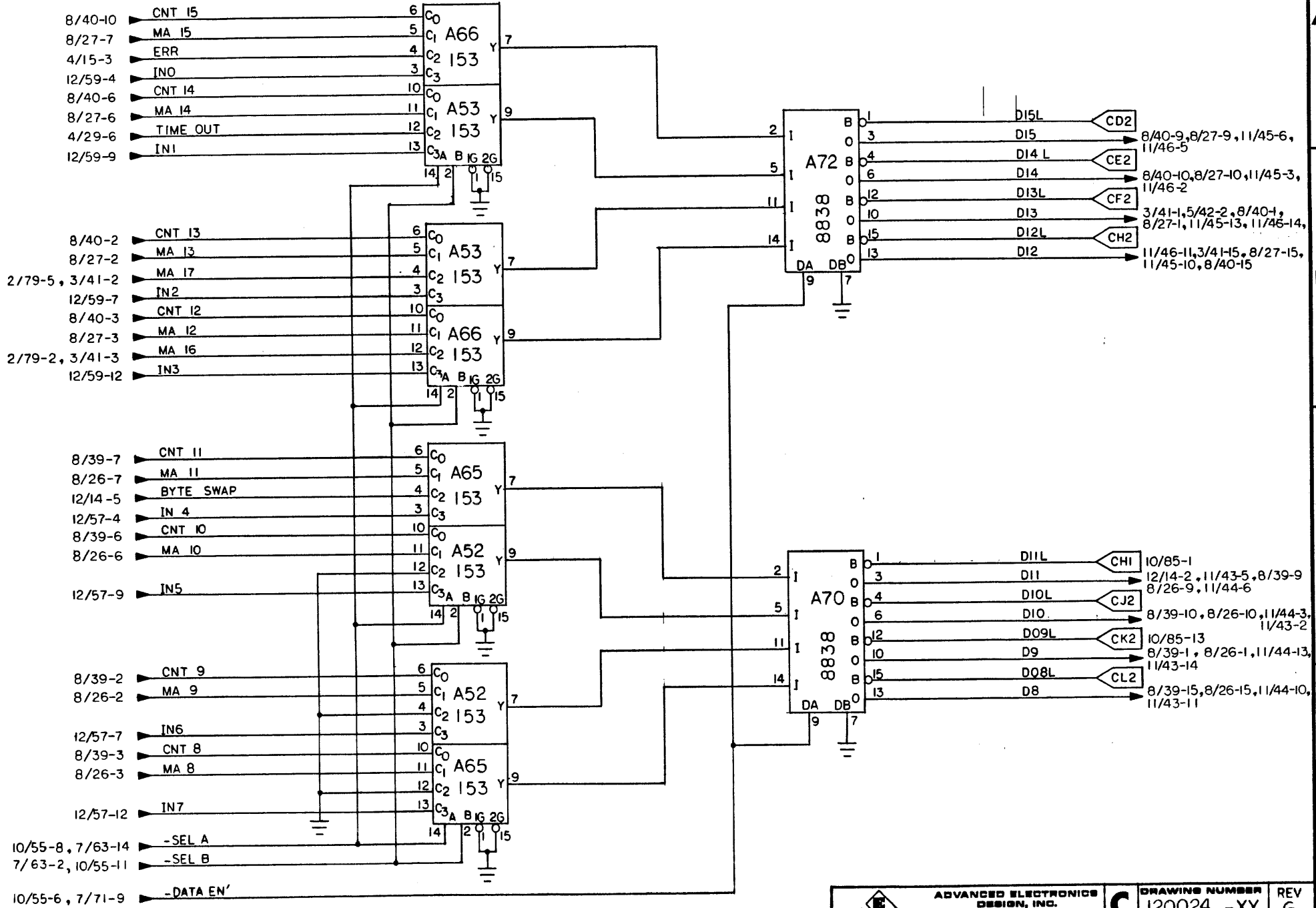
B

C

C

D

D



	ADVANCED ELECTRONICS DESIGN, INC. SUNNYVALE, CALIF. 94088	C	DRAWING NUMBER 120024 -XX	REV G
	SHEET 6 OF 13			

1

2

3

4

A

A

B

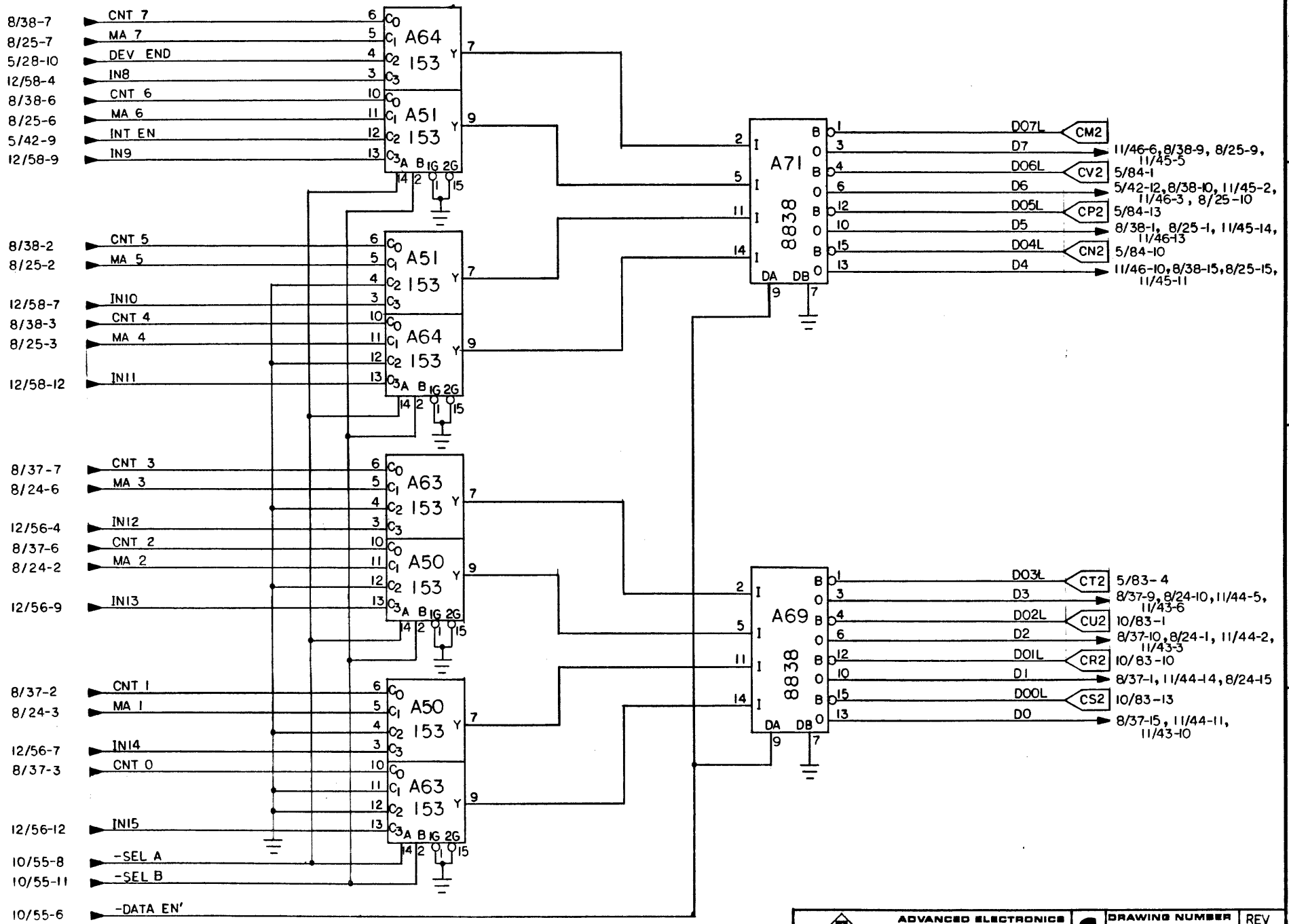
B

C

C

D

D



1

2

3

4

A

B

C

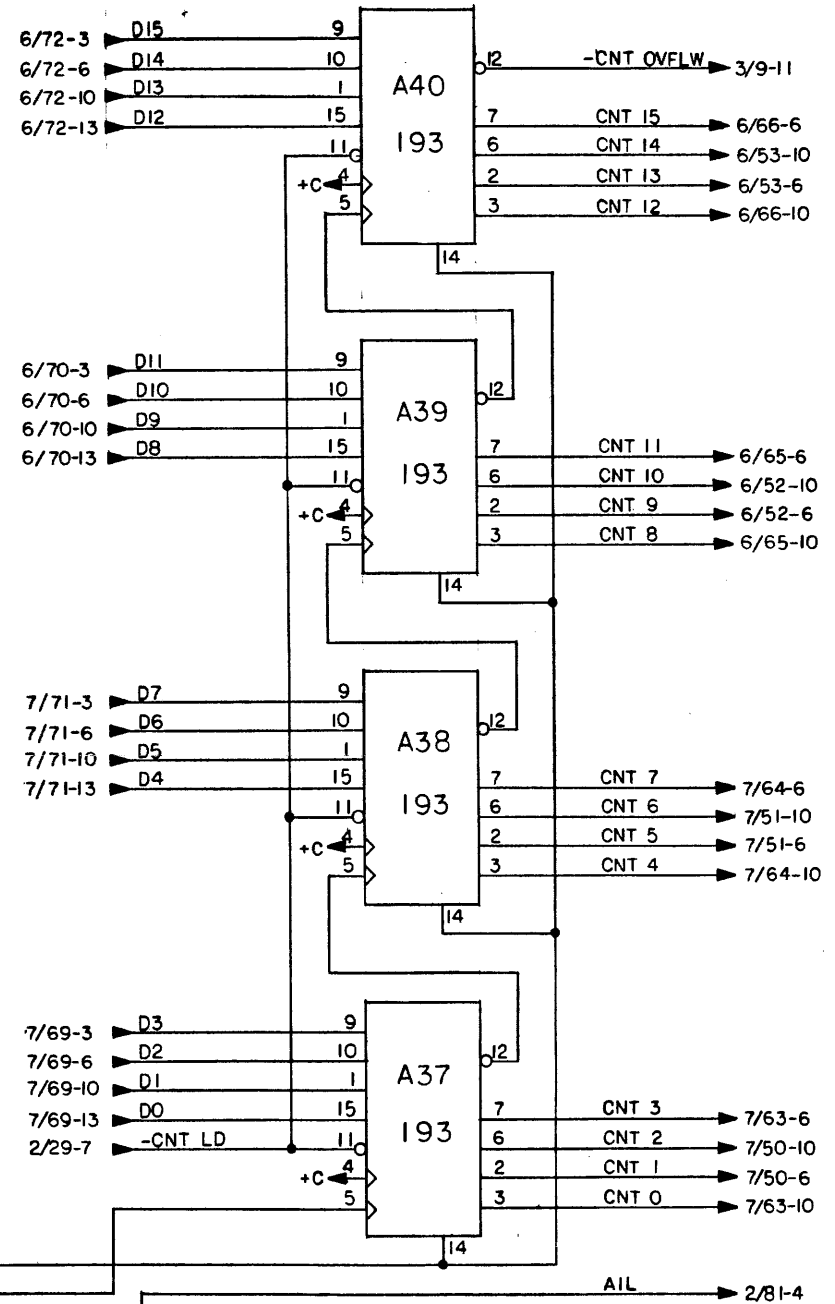
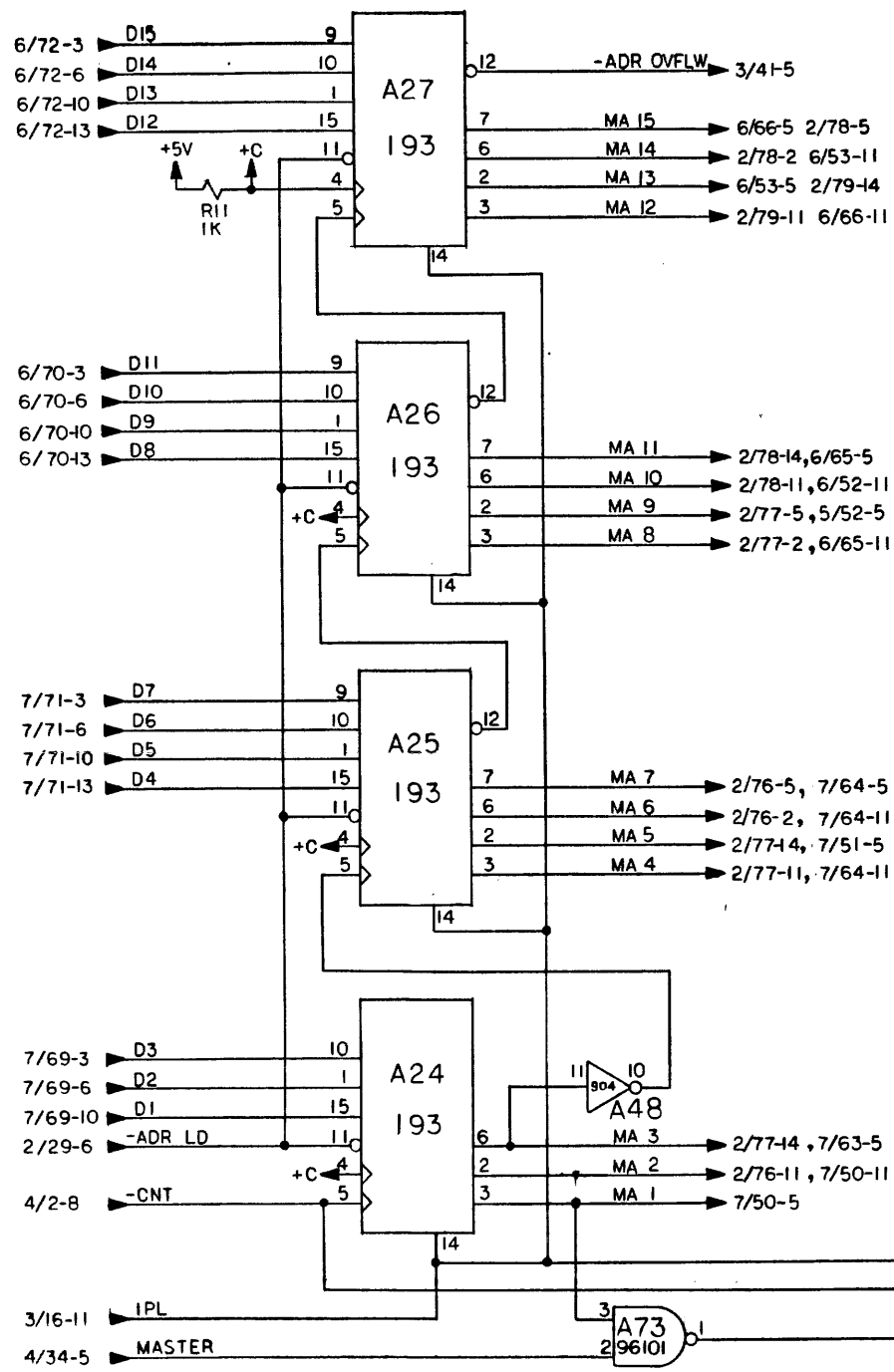
D

A

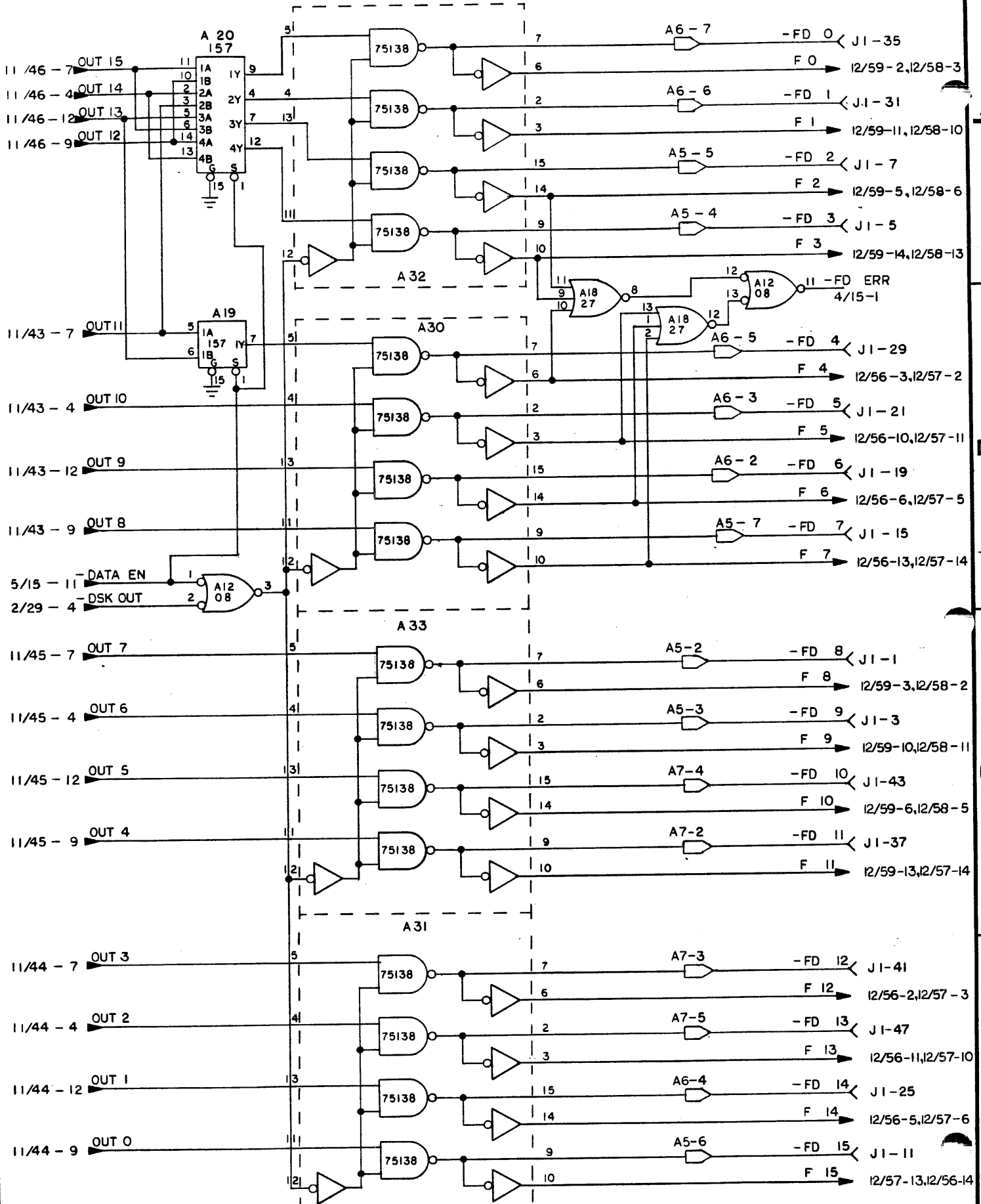
B

C

D



	ADVANCED ELECTRONICS DESIGN, INC. SUNNYVALE, CALIF. 94088	C DRAWING NUMBER 120024 -XX	REV G
	SHEET R OF 13		



ADVANCED ELECTRONICS
 DESIGN, INC.
 SUNNYVALE, CALIF. 94088
 DRAWING NUMBER
 120024-XX
 REV
 G
 SHEET 9 OF 13

A

B

C

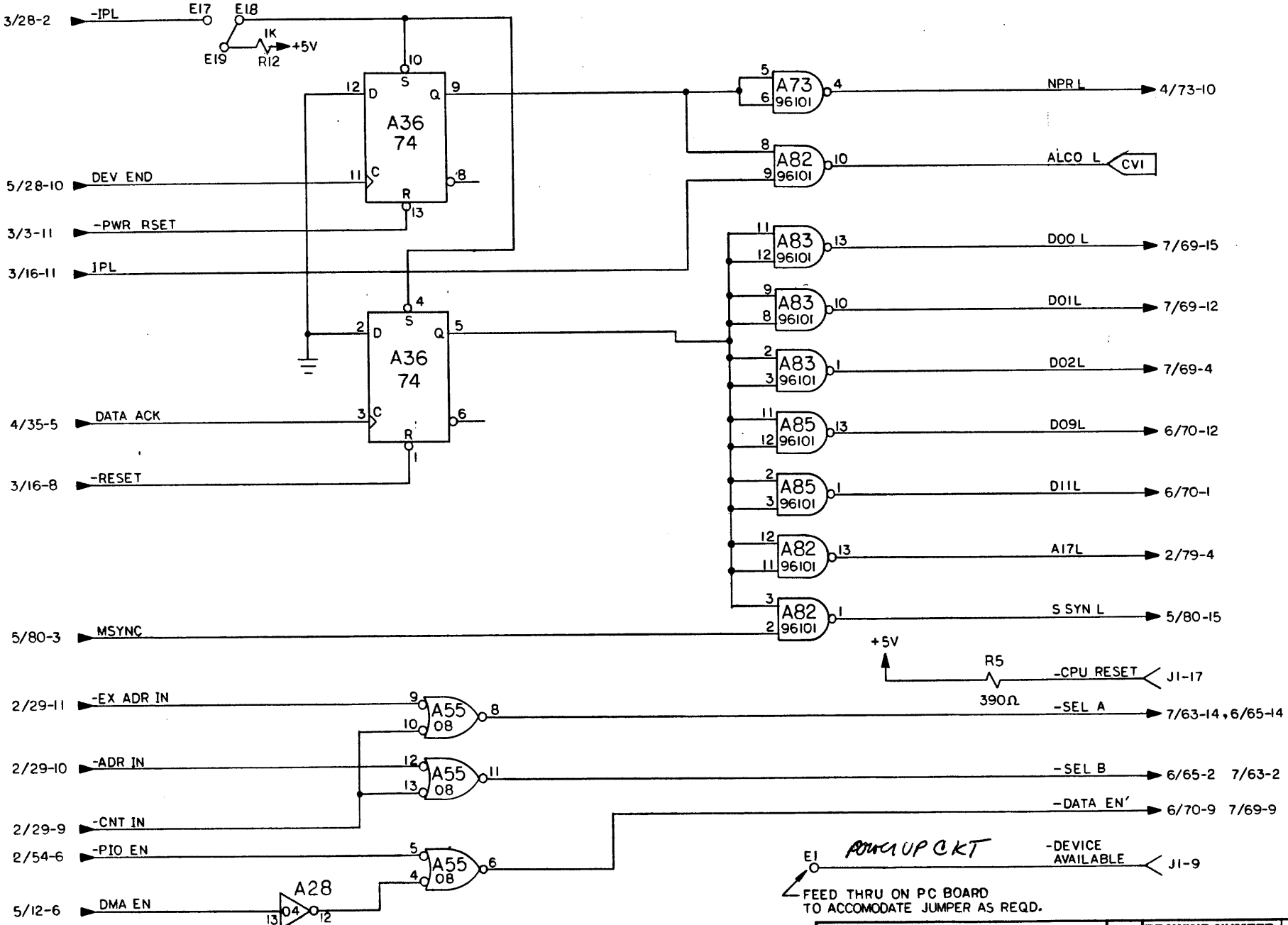
D

A

B

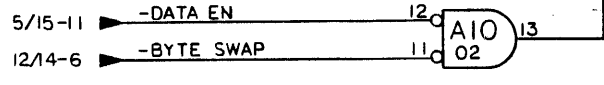
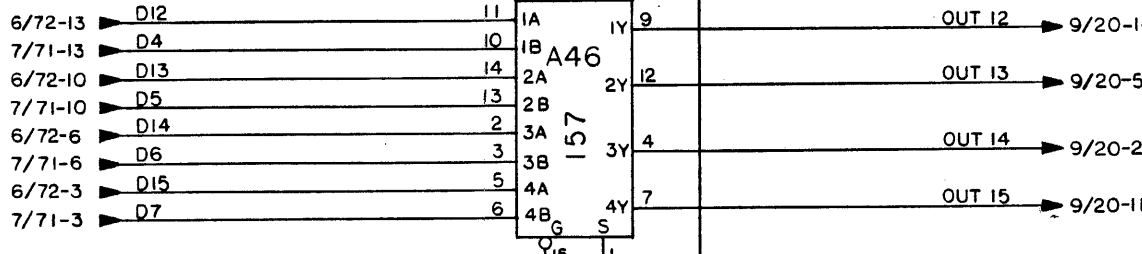
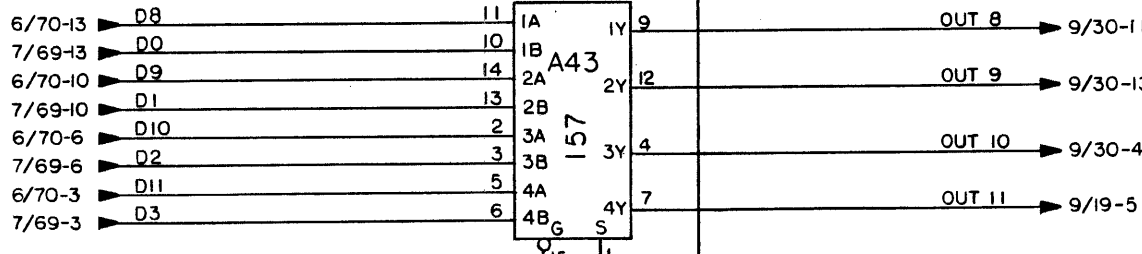
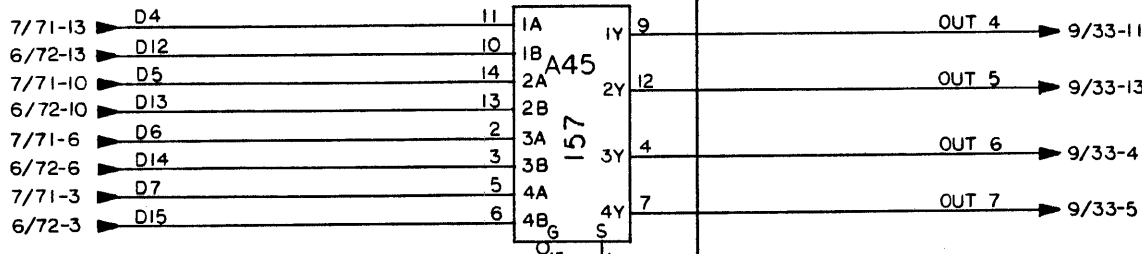
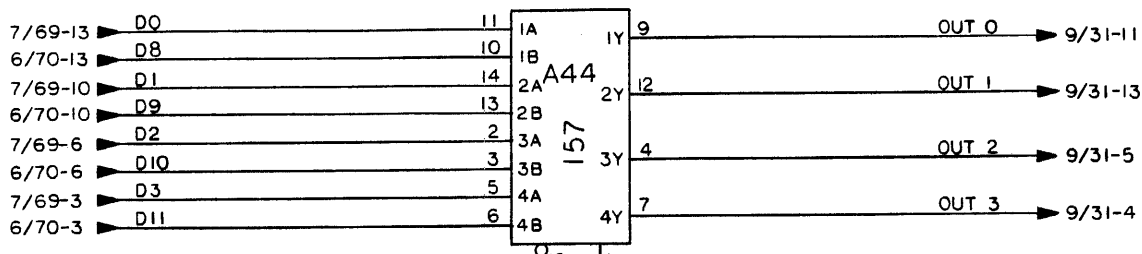
C

D



FEED THRU ON PC BOARD TO ACCOMODATE JUMPER AS REQD.

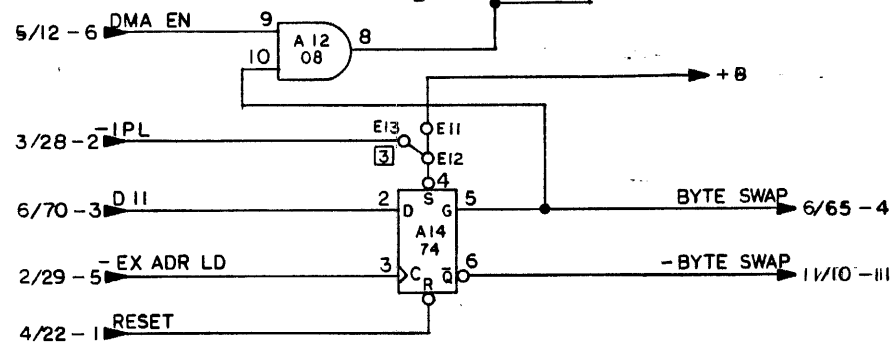
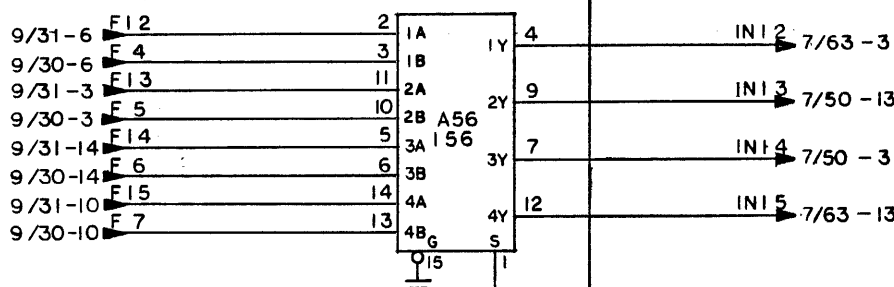
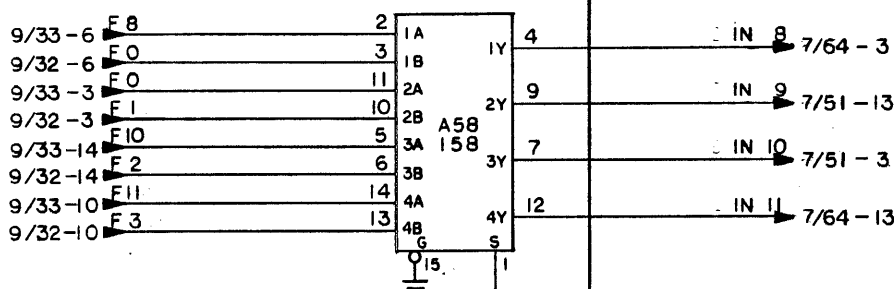
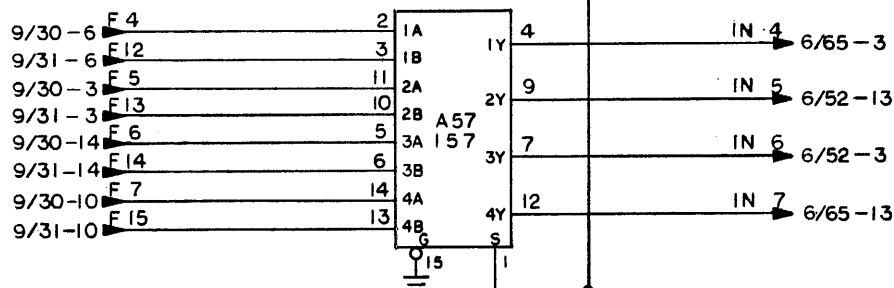
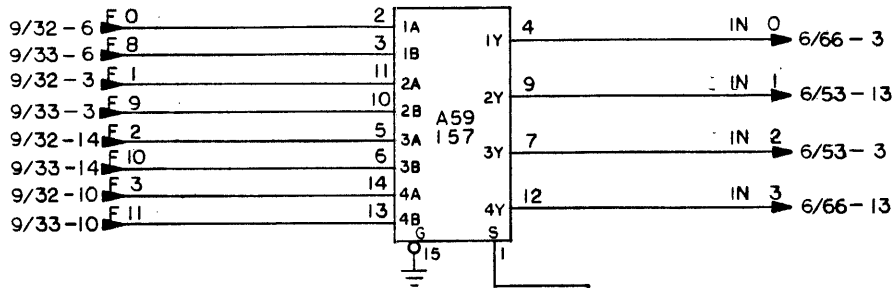
POWER UP CKT




 ADVANCED ELECTRONICS
 DESIGN, INC.
 SUNNYVALE, CALIF. 94085

 DRAWING NUMBER
 120024 -XX

 REV
 G
 SHEET 11 OF 13



ADVANCED ELECTRONICS
 DESIGN, INC.
 SUNNYVALE, CALIF. 94088

DRAWING NUMBER
 120024-XX

REV
 G

SHEET 12 OF 17

A

A

B

B

C

C

D

D

											1 7410	2 7474	3 7408												4 7411	5 270 C	6 270 G	7 270 C				
											4	4	4												5 3	9	9	9	9	9	9	
											4														3 4	9	9	9	9	9	9	
												4	4	3												5 3	9	9	9	9	5	
8 7411	9 7474	10 7402	11 9602	12 7408	13 SPARE	14 7474	15 7400	16 7437	17 7438	18 7427	19 74157	20 74157																				
4	4	4 5	3	9 5		12	4 3		5 3		9 9 9																					
3	3	3 11	4	12 9			3 5 3 3		5 3	9		9 9																				
4										9		9 9																				
21 SPARE	22 7408	23 7474	24 74193	25 74193	26 74193	27 74193	28 7404	29 5139	30 75138	31 75138	32 75138	33 75138																				
	4 4	4	8	8	8	8	3 4 5	2	9 9	9 9	9 9	9 9																				
	5 5	5					3 5 10	2	9 9	9 9	9 9	9 9																				
34 7474	35 74574	36 7474	37 74193	38 74193	39 74193	40 74193	41 74193	42 7474	43 74157	44 74157	45 74157	46 74157																				
4	4	10	8	8	8	8	3	5	11 11	11 11	11 11	11 11																				
5	5	10						5	11 11	11 11	11 11	11 11																				
47 7474	48 74504	49 7408	50 74153	51 74153	52 74153	53 74153	54 7400	55 7408	56 74157	57 74157	58 74157	59 74157																				
	2 4	5 4	7	7	6	6	5 2	5 10	12 12	12 12	12 12	12 12																				
	5	2 8 5	2 4	7	7	6	6	5 4	10 10	12 12	12 12	12 12																				
60 96101	61 SWITCH	62 8160	63 74153	64 74153	65 74153	66 74153	67 7411	68 7410	69 8838	70 8838	71 8838	72 8838																				
	2 2 2		7	7	6	6	2	2	7 7	6 6	7 7	6 6																				
	2 2 2	2					2	5	7 7	6 6	7 7	6 6																				
	5	2 2 X	7	7	6	6	2	4	7 7	6 6	7 7	6 6																				
73 96101	74 RN 102 C	75 8160	76 8838	77 8838	78 8838	79 8838	80 8838	81 96106	82 96101	83 96101	84 96101	85 96101																				
8	10	2 2 2 2 2	2	2 2 2 2	2 2 2 2	2 2 2 2	5 5	5 2	10 5	10 5	5 5	10																				
4	4	2 2 2 2 2	2	2 2 2 2	2 2 2 2	2 2 2 2	5 5	4 3	10 10	10 10	5 5	4 10																				

MODULE MAP

