

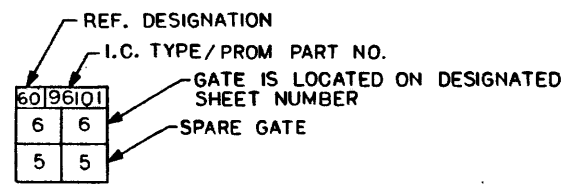
MASTER

IF THIS STATEMENT APPEARS
IN RED, RETURN TO:
DOCUMENT CONTROL

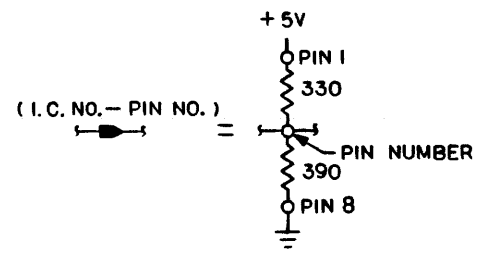
ISSUE	DESCRIPTION	DATE	APPROVED
A	PROTOTYPE RELEASE		
B	PCN 25A		
C	PCN 34		
C	ECO 1053 <i>4/11/80</i>	<i>4/11/80</i>	<i>KAR 10/14/80</i>
D	ECO 1084 <i>4/18/81</i>	<i>4/18/81</i>	<i>JK</i>
E	ECO 2014	<i>11/14/81</i>	<i>[Signature]</i>
F	ECO 2082		<i>12/20/81</i>

NOTES:

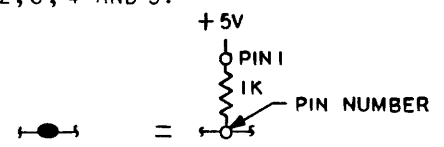
- ALL RESISTORS ARE IN OHMS AND ARE 1/4W UNLESS OTHERWISE SPECIFIED.
- FOR MODULE MAP SEE SHEET 8. GATES ARE IN ORDER OF OUTPUT PIN NUMBERS AND ARE DEPICTED FROM LEFT TO RIGHT, TOP TO BOTTOM ORDER.



- THIS SYMBOL DENOTES A PULL-UP AND PULL-DOWN RESISTOR FOR I.C. A1, A9, A11 AND A56 THAT ARE LOCATED ON SHEET 2, 3, 5, 6 AND 7.



- THIS SYMBOL DENOTES A PULL-UP RESISTOR FOR I.C. A4, A15 AND A55 THAT ARE LOCATED ON SHEET 2, 3, 4 AND 5.



DESIG.	HIGHEST USED	NOT USED
A	60	
C	6	
R	4	

DESIGNATION	RESISTOR
E	A55-3
E1	A55-2
E2	A55-8

-03 -08 -01			PART NUMBER	CODE IDENT	DESCRIPTION	ITEM NO.
QTY REQD	TOLERANCE UNLESS OTHERWISE SPECIFIED	MATERIAL	DRAWING TITLE			
.XX ±	.XXX ±	FINISH	SCHEMATIC LSI-11/2 INTERFACE			
ANGULAR	SURFACE	SCALE	ADVANCED ELECTRONICS DESIGN, INC. SUNNYVALE, CALIF. 94086			
DASH NO.	NEXT ASSY	USED ON	DRAWING NUMBER		REV	
			C 107193-XX		F	

01	107190	6200
01	107190	3100
01	107190	2500

OWN. H.C.
CHK 10-20-80
P.S. HERRMAN
APPRO. 10/29/80
M.K. JONES

A

A

B

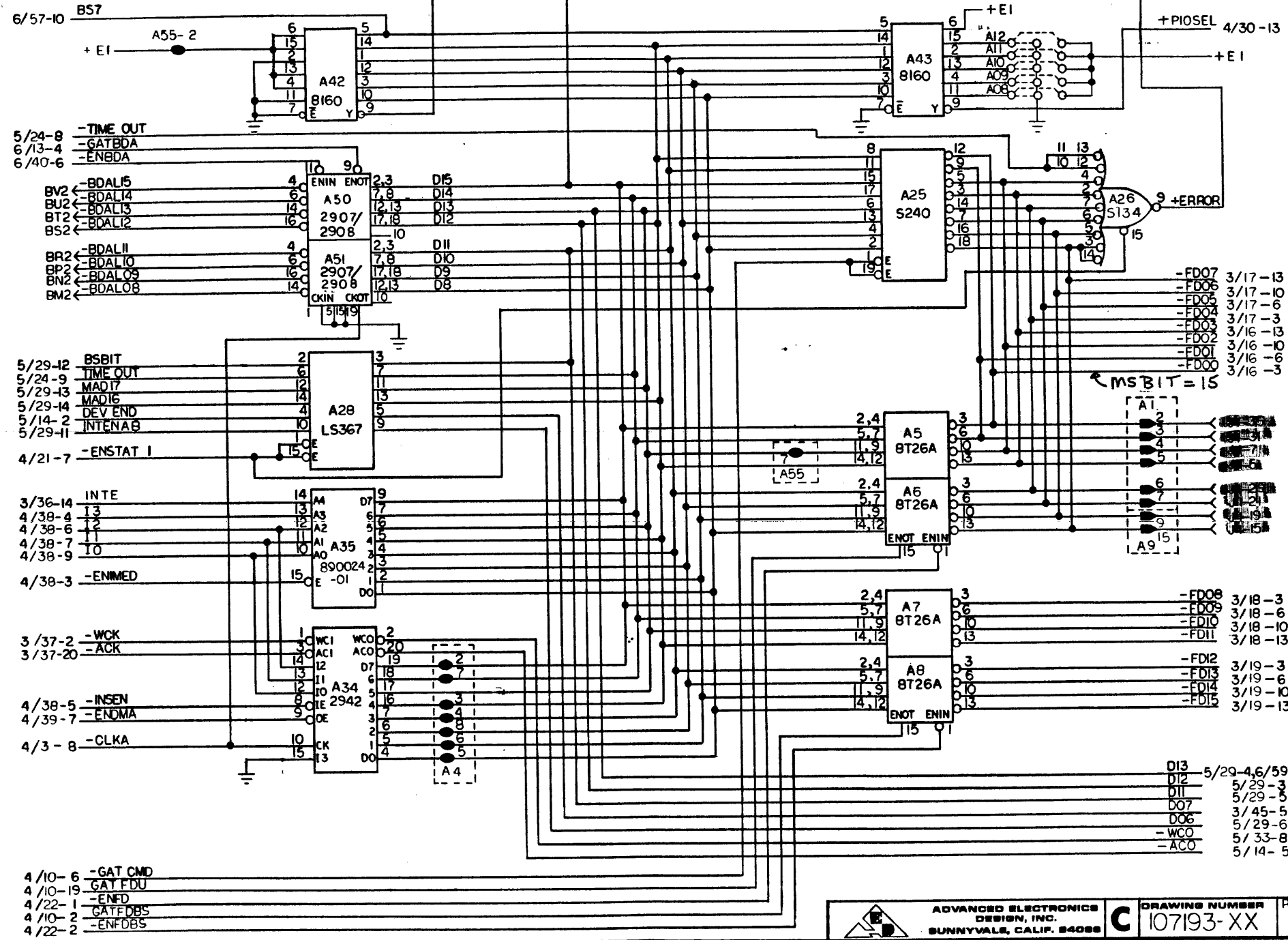
B

C

C

D

D



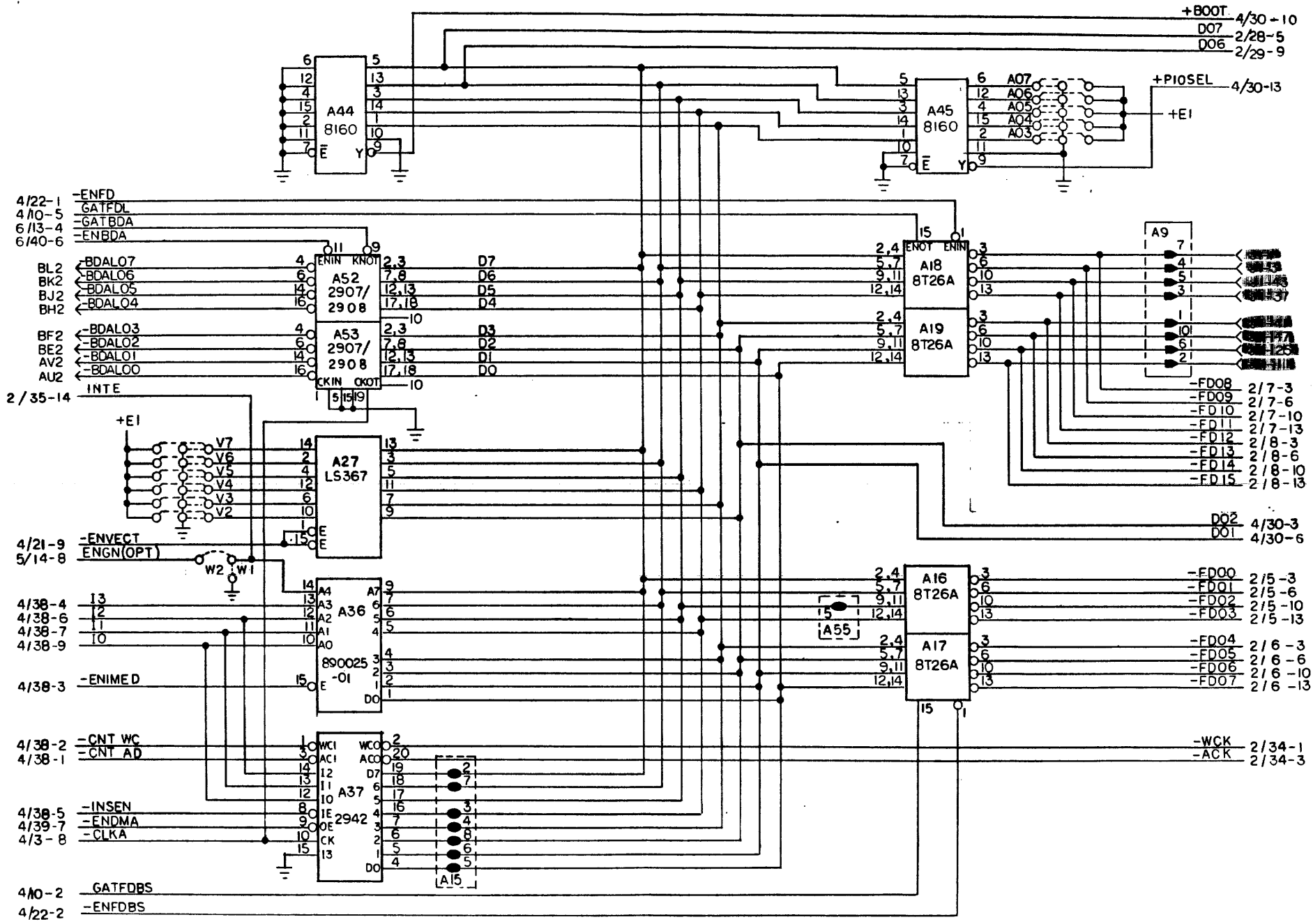
	ADVANCED ELECTRONICS DESIGN, INC. SUNNYVALE, CALIF. 94088	DRAWING NUMBER C 107193-XX	REV F
	SHEET 2 OF 9		

A

B

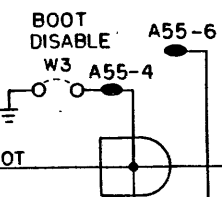
C

D



A
B
C
D

6/59-9 RDDISC
5/29-12 BSBIT

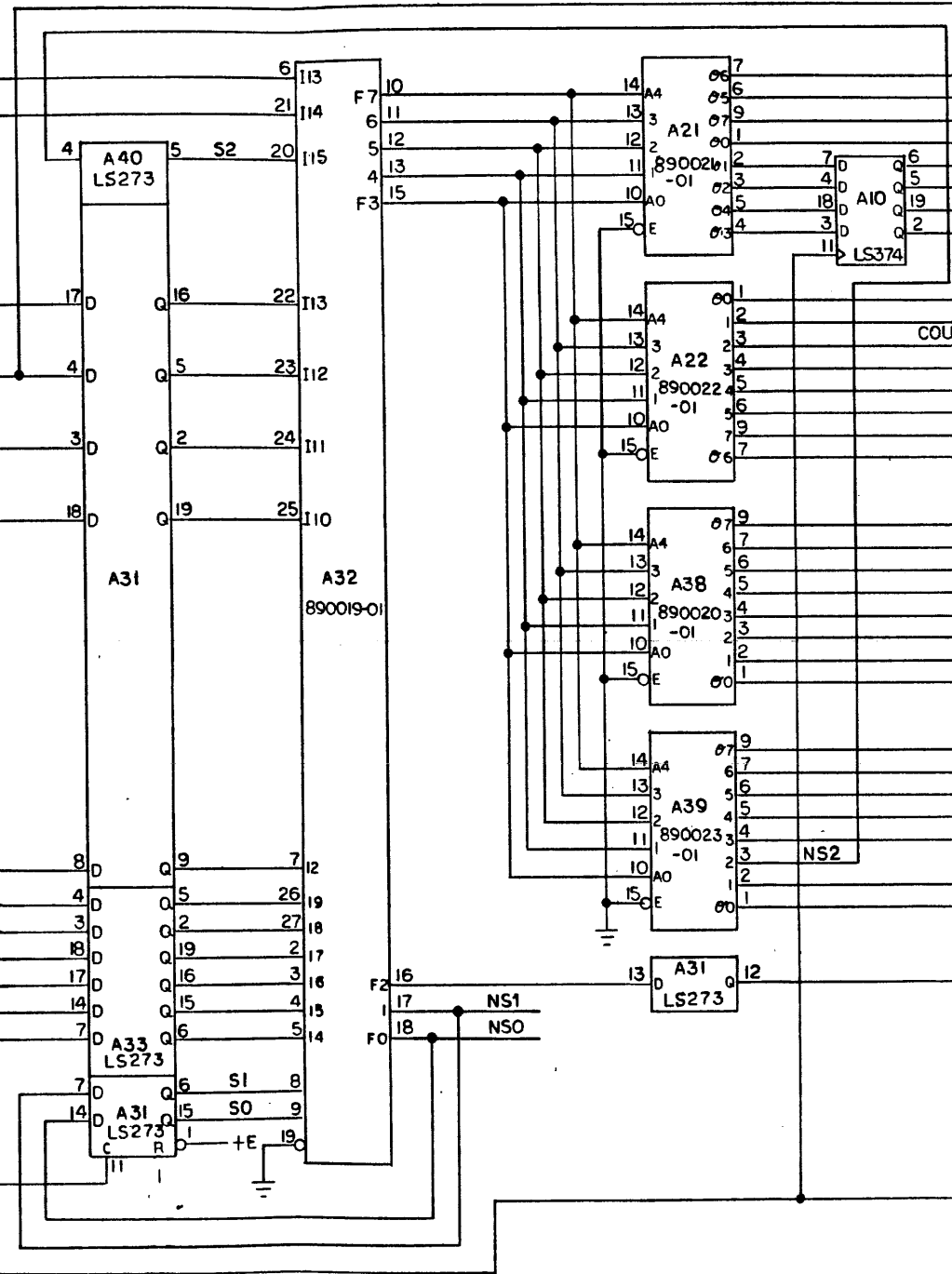
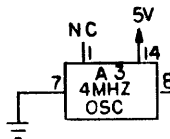


3/44-9 +BOOT
2/42-9 +BOOT
2/43-9 +PIOSEL
2/45-9 +PIOSEL
3/53-7,8 DO2

3/53-12,13 DO1

6/46-10 -LD ADDRREG

6/41-6 +SYNC
6/48-5 MASTER
5/49-11 MYACK
5/23-8 +INIT INF.
6/41-3 DIN
6/41-10 DOUT
6/41-13 RPLY



-ENSTATI 2/28-1,15
FDOUT 7/10-17
-ENVECT 3/27-1,15
FCOUT 7/10-8
-GATCMD 2/25-1,19
GATFDL 3/18-15
GATFDU 2/6-15
GATFDDBS 2/8-15
3/17-15

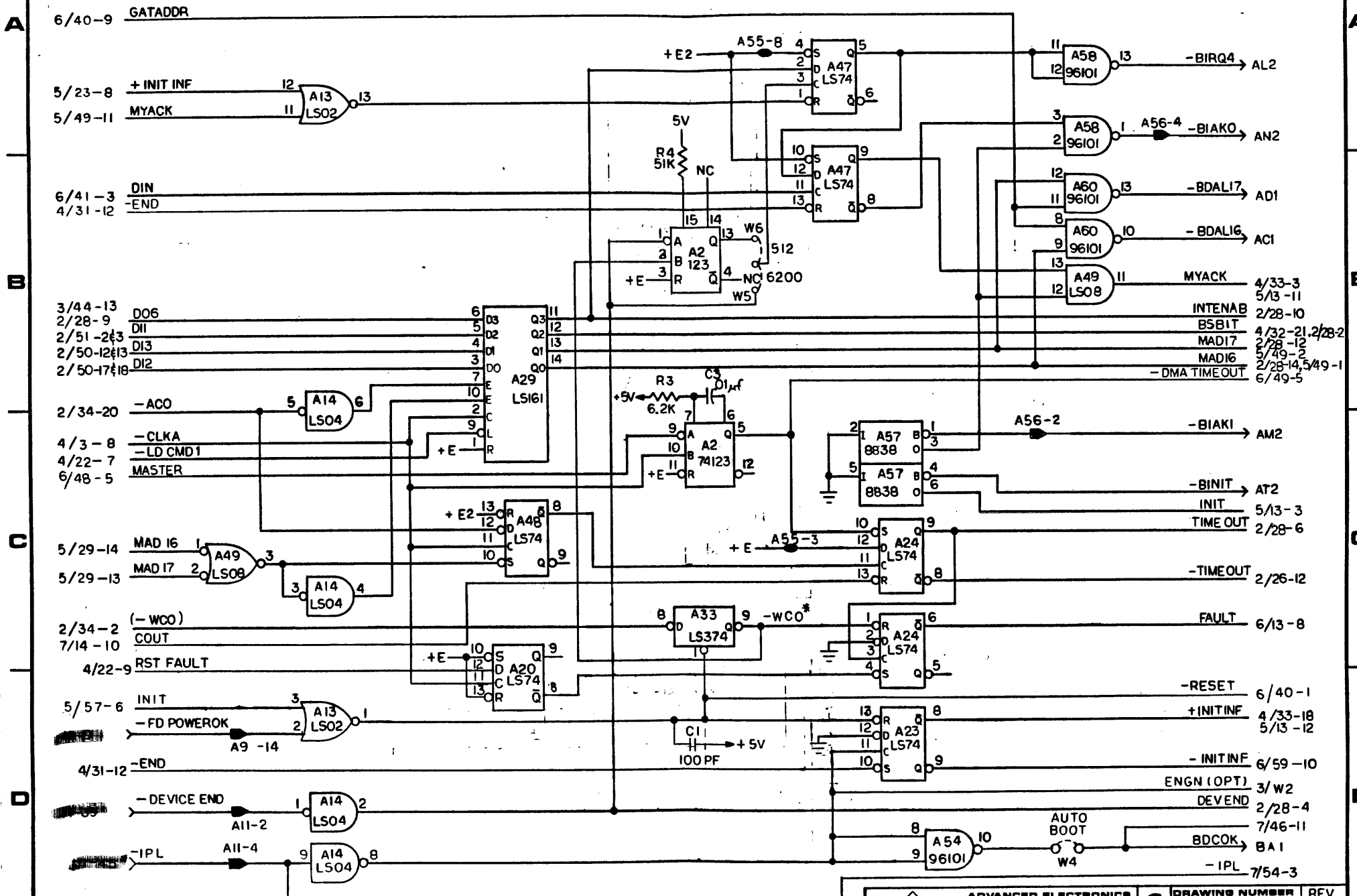
-ENFD 2/6-1, 3/18-1
-ENFDBS 3/17-1, 2/8-1
COUT/DOUT TIMER 7/40-13
FSIN 7/10-14
FDIN 7/10-13
GATBDAG 6/33-13
RST FAULT 5/20-12
-LDCMDI 5/29-9

10 2/35-10, 3/36-10
11 2/35-11, 3/36-11
12 2/35-12, 3/36-12
-INSEN 2/34-8, 3/37-8
13 2/35-13, 3/36-13
-ENIMED 2/35-15, 3/36-15
-CNTWC 3/37-1
-CNTAD 3/37-3

GATADRG 6/40-8
-ENDMA 2/34-9, 3/37-9
-ENBDAG 6/40-7
SYNCG 6/40-14
BDOUTG 6/40-17
RPLYG 6/40-3
BDING 6/40-18

-END 5/47-13, 5/23-10,
6/49-4

-CLKA 2/34-10, 3/37-10,
5/29-2
7/14-13



6/40-9 GATADDR

5/23-8 + INIT INF
5/49-11 MYACK

6/41-3 DIN
4/31-12 -END

3/44-13 DO6
2/28-9 DI1
2/51-24 DI3
2/50-124 DI2

2/34-20 -ACO
4/3-8 -CLKA
4/22-7 -LD CMD1
6/48-5 MASTER

5/29-14 MAD 16
5/29-13 MAD 17

2/34-2 (-WCO)
7/14-10 COUT

4/22-9 RST FAULT

5/57-6 INIT
-FD POWEROK

4/31-12 -END

-DEVICE END
-IPL

4/33-3 MYACK
5/13-11 INTENAB
2/28-10 BSBIT
4/32-21,2/28-2 MAD17
2/28-12 MAD16
5/49-2 -DMA TIME OUT
6/49-5

-BIAKI AM2
-BINIT AT2
INIT 5/13-3
TIME OUT 2/28-6

-TIMEOUT 2/26-12

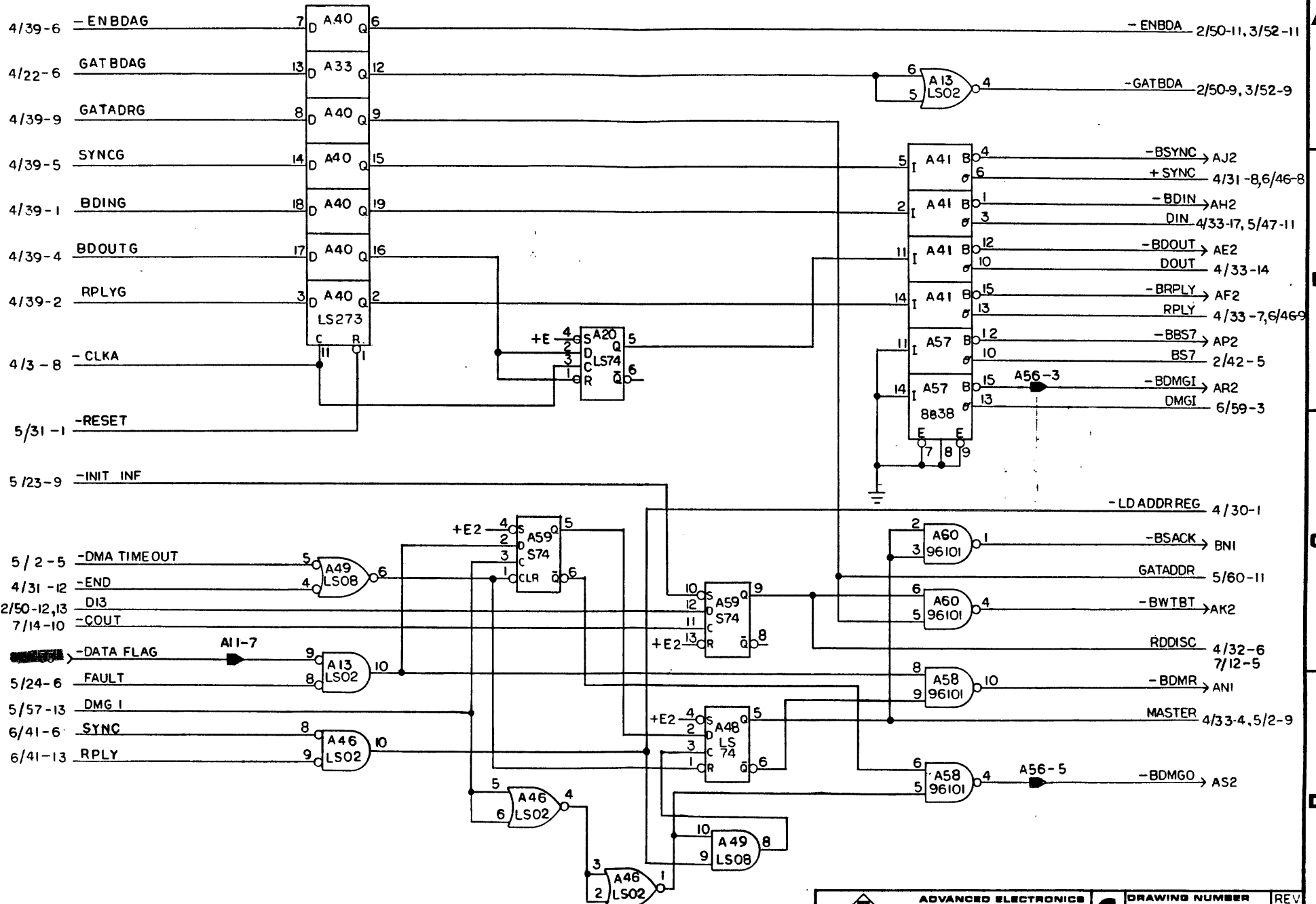
FAULT 6/13-8

-RESET 6/40-1
+INITINF 4/33-18
5/13-12

-INITINF 6/59-10

ENGN(OPT) 3/W2
DEVEND 2/28-4

AUTO BOOT 7/46-11
BDCOK BA1
-IPL 7/54-3



A

B

C

D

A

B

C

D

6/59-9 RDISK
4/30-12 SEL

4/22-5 FDIN

4/21-6 FDOUT

4/22-4 FSIN

4/21-1 FCOU

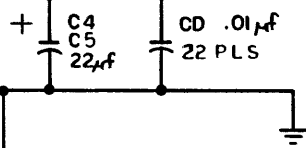
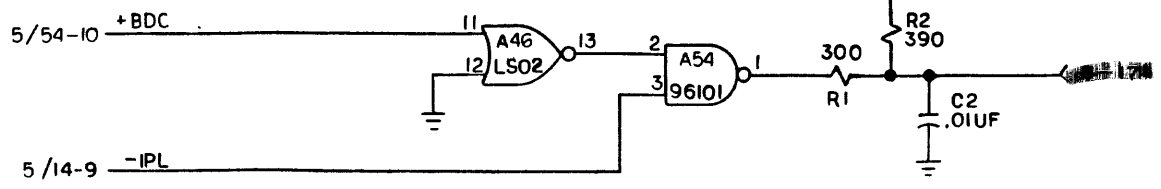
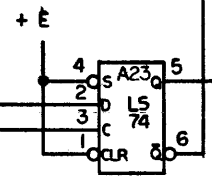
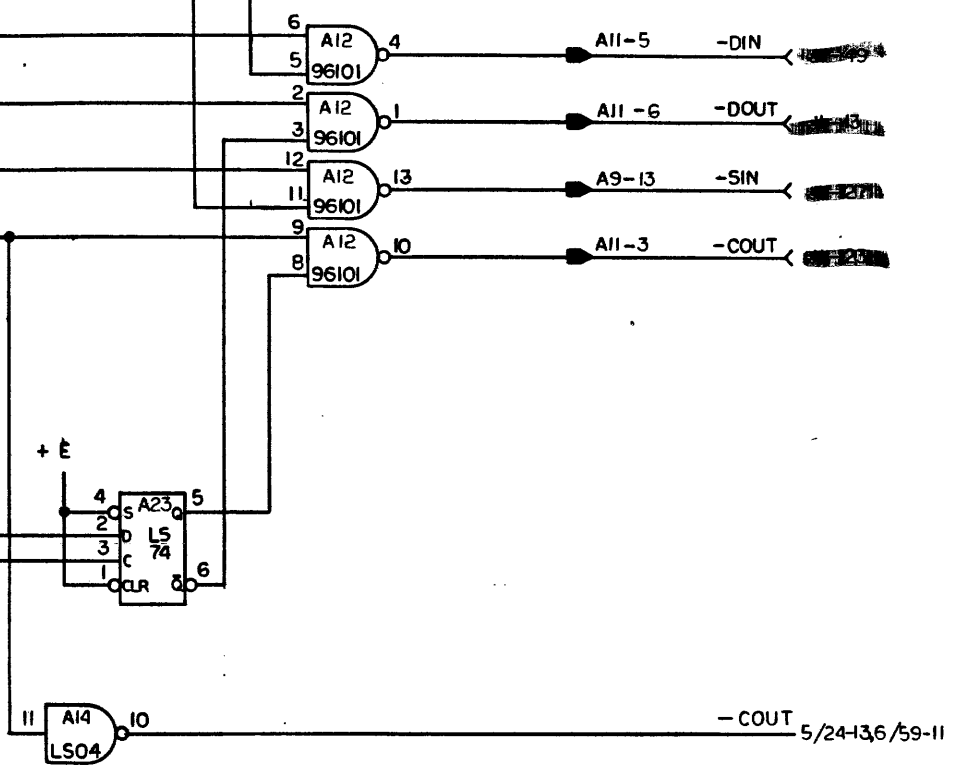
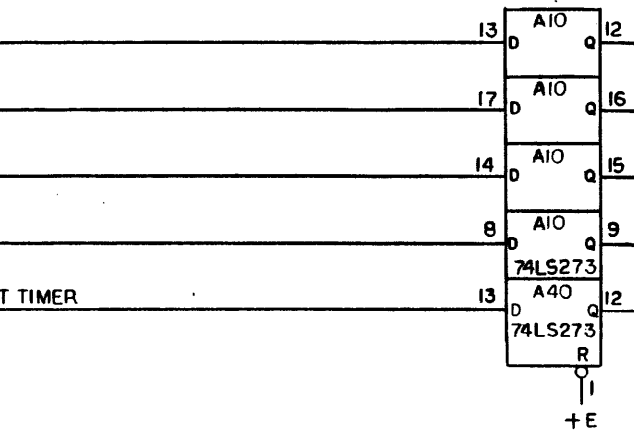
4/22-3 COUT/DOUT TIMER

4/3-8 -CLKA

AA2, BA2,
BV1

AC2, AJ1,
AM1, AT1, BC2,
BJ1, BM1, BT1

J1-ALL
EVEN PIN
NO.



1	RN331 391											2	I23	3	XTLO										
2	2													4											
2	2													4											
2	2											5		4											
4	RN102	5	8T26A	6	8T26A	7	8T26A	8	8T26A	9	RN331 391	10	LS273	11	RN331 391	12	96101	13	LSO2	14	LSO4				
2	2									3	3	3	4	4	5		7	7	5	6	5	5			
2	2	2	2	2	2					3	3	2	4	7	7	5					5	5			
2	2									3		7	7	7	7	7		7	7	6	5	7	7		
2	X									5	2	X	7	4	X	X									
15	RN102	16	8T26A	17	8T26A	18	8T26A	19	8T26A	20	74LS74	21	800021 -01			22	800022 -01	23	LS74	24	LS74				
3	3									6		4				4		7		5					
3	3	3	3	3	3					5								5		5					
3	3																								
3	X																								
		25	S240	26	S134	27	LS367																		
		2		2		3																			
				28	LS367	29	LS161	30	LS157	31	LS273	32	800019 -01	33	LS273										
					2	5	4		4	4		4	4												
									4	4		4	5												
									4	4		6	4												
									4	4		4	4												
34	2942	35	800024 -01	36	800021 -01	37	2942			38	800020 -01	39	800023 -01	40	LS273	41	8838								
														6	4	6	6								
														6	6	6	6								
														7	6	6	6								
														6	6										
42	8160	43	8160			44	8160	45	8160			46	LS02	47	LS74	48	LS74	49	LS08						
													6	6	5	6	5	6							
													6	7	5	5	6	5							
50	2908	51	2908	52	2908	53	2908	54	96101	55	RN102	56	RN331 391	57	8838	58	96101	59	S74	60	96101				
								7		2	5		5	5	5	6	6	6	6						
										4	3	6	5												
								5		4	2	6		6	6	6	5	6	5	5					
										5	X	X	X												

STANDARD 6200 MODE

6200/
512
MODE
SELECT

-01

AUTO BOOT
MODE
ENABLED

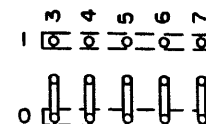
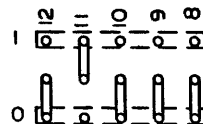
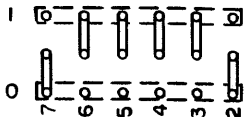
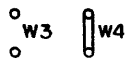
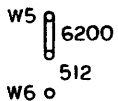
STANDARD 6200 VECTOR 170

V8	V7	V6	V5	V4	V3	V2	V1	V0
0	0	1	1	1	1	0	0	0
1			7			0		

STANDARD 6200 DEVICE ADDRESS 164008

A17	A16	A15	A14	A13	A12	A11	A10	A9	A8	A7	A6	A5	A4	A3	A2	A1	A0
1	1	1	1	1	0	1	0	0	0	0	0	0	0	0	0	0	0
7			6			4			0			0					

BINARY
OCTAL



STANDARD 512 MODE

6200/
512
MODE
SELECT

-02

AUTO BOOT
MODE
DISABLED

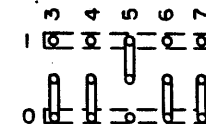
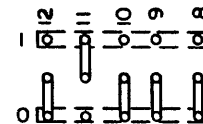
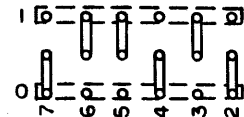
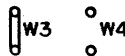
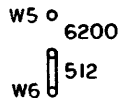
STANDARD 512 VECTOR 150

V8	V7	V6	V5	V4	V3	V2	V1	V0
0	0	1	1	0	1	0	0	0
1			5			0		

STANDARD 512 DEVICE ADDRESS 164040

A17	A16	A15	A14	A13	A12	A11	A10	A9	A8	A7	A6	A5	A4	A3	A2	A1	A0
1	1	1	1	1	0	1	0	0	0	0	0	1	0	0	0	0	0
7			6			4			0			4			0		

BINARY
OCTAL



ALTERNATE MODE

6200/
512
MODE
SELECT

AUTO BOOT
MODE

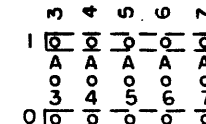
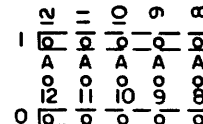
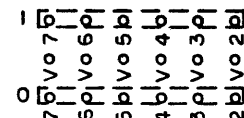
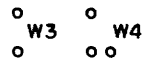
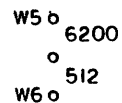
NEW VECTOR

V8	V7	V6	V5	V4	V3	V2	V1	V0
0							0	0

NEW DEVICE ADDRESS

A17	A16	A15	A14	A13	A12	A11	A10	A9	A8	A7	A6	A5	A4	A3	A2	A1	A0
1	1	1	1	1											0	0	0
7															0		

BINARY
OCTAL



ADVANCED ELECTRONICS
DESIGN, INC.
SUNNYVALE, CALIF. 94086



DRAWING NUMBER
107193-XX

REV
F