

FD179X Application Notes

JUNE, 1980

INTRODUCTION

Over the past several years, the Floppy Disk Drive has become the most popular on-line storage device for mini and microcomputer systems. Its fast access time, reliability and low cost-per-bit ratio enables the Floppy Disk Drive to be *the* solution in mass storage for microprocessor systems. The drive interface to the Host system is standardized, allowing the OEM to substitute one drive for another with minimum hardware/ software modifications.

Since Floppy Disk Data is stored and retrieved as a self-clocking serial data stream, some means of separating the clock from the data and assembling this data in parallel form must be accomplished. Data is stored on individual Tracks of the media, requiring control of a stepper motor to move the Read/Write head to a predetermined Track. Byte synchronization must also be accomplished to insure that the parallel data is properly assembled. After all the design considerations are met, the final controller can consist of 40 or more TTL packages.

To alleviate the burden of Floppy Disk Controller design, Western Digital has developed a Family of LSI Floppy Disk controller devices. Through its own set of macro commands, the FD179X Controller Family will perform all the functions necessary to read and write data to the drive. Both the 8" standard and 5¼" mini-floppy are supported with single or double density recording techniques. The FD179X is compatible with the IBM 3740 (FM) data format, or the System 34 (MFM) standards. Provisions for non-standard formats and variable sector lengths have been included to provide more storage capability per track. Requiring standard +5, +12 power supplies the FD179X is available in a standard 40 pin dual-in-line package.

The FD179X Family consists of 6 devices. The differences between these devices is summarized in Figure 1. The 1792 and 1794 are "single density only" devices, with the Double Density Enable pin (DDEN) left open by the user. Both True and inverted Data bus devices are available. Since the 179X can only drive one TTL Load, a true data bus system may use the 1791 with external inverting buffers to arrive at a true bus scheme. The 1795 and 1797 are identical to the 1791 and 1793, except a side select output has been added that is controlled through the Command Register.

SYSTEM DESIGN

The first consideration in Floppy Disk Design is to determine which type of drive to use. The choice ranges from single-density single sided mini-floppy to the 8" double-density double-sided drive. Figure 2 illustrates the various drive and data capacities associated with each type. Although the 8" double-density drive offers twice as much storage, a more complex data separator and the addition of Write Precompensation circuits are mandatory for reliable data transfers. Whether to go with 8" double-density or not is dependent upon PC board space and the additional circuitry needed to accurately recover data with extreme bit shifts. The byte transfer time defines the nominal time required to transfer one byte of data from the drive. If the CPU used cannot service a byte in this time, then a DMA scheme will probably be required. The 179X also needs a few microseconds for overhead, which is subtracted from the transfer time. Figure 3 shows the actual service times that the CPU must provide on a byte-by-byte basis. If these times are not met, bytes of data will be lost during a read or write operation. For each byte transferred, the 179X generates a DRQ (Data Request) signal on Pin 38. A bit is provided in the status register which is also set upon receipt of a byte from the Disk. The user has the option of reading the status register through program control or using the DRQ Line with DMA or interrupt schemes. When the data register is read, both the status register DRQ bit and the DRQ Line are automatically reset. The next full byte will again set the DRQ and the process continues until the sector(s) are read. The Write operation works exactly the same way, except a WRITE to the Data Register causes a reset of both DRQ's.

RECORDING FORMATS

The FD179X accepts data from the disk in a Frequency-Modulated (FM) or Modified-Frequency-Modulated (MFM) Format. Shown in Figures 4A and 4B are both these Formats when writing a Hexidecimal byte of 'D2'. In the FM mode, the 8 bits of data are broken up into "bit cells." Each bit cell begins with a clock pulse and the center of the bit cell defines the data. If the data bit = 0, no pulse is written; if the data = 1, a pulse is written in the center of the cell. For the 8" drive, each clock is written 4 microseconds apart.

In the MFM mode, clocks are decoded into the data stream. The byte is again broken up into bit cells, with the data bit written in the center of the bit cell if data = 1. Clocks are only written if both surrounding data bits are zero. Figure 4B shows that this occurs only once between Bit cell 4 and 5. Using this encoding scheme, pulses can occur 2, 3 or 4 microseconds apart. The bit cell time is now 2 microseconds; twice as much data can be recorded without increasing the Frequency rate due to this encoding scheme.

The 179X was designed to be compatible with the IBM 3740 (FM) and System 34 (MFM) Formats. Although most users do not have a need for data exchange with IBM mainframes, taking advantage of these well studied formats will insure a high degree of system performance. The 179X will allow a change in gap fields and sector lengths to increase usable storage capacity, but variations away from these standards is not recommended. Both IBM standards are soft-sector format. Because of the wide variation in address marks, the 179X can only support soft-sectored media. Hard sectored diskettes have continued to lose popularity, mainly due to the unavailability of a standard and the limitation of sector lengths imposed by the physical sector holes in the diskette.

PROCESSOR INTERFACE

The Interface of the 179X to the CPU consists of an 8-bit Bi-directional bus, read/write controls and optional interrupt lines. By selecting the device via the CHIP SELECT Line, each of the five internal registers can be accessed.

Shown below are the registers and their addresses:

PIN 3 CS	PIN 6 A ₁	PIN 5 A ₀	PIN 4 $\overline{RE}=\emptyset$	PIN 2 $\overline{WE}=\emptyset$
0	0	0	STATUS REG	COMMAND REG
0	0	1	TRACK REG	TRACK REG
0	1	0	SECTOR REG	SECTOR REG
0	1	1	DATA REG	DATA REG
1	X	X	H1-Z	H1-Z

Each time a command is issued to the 179X, the Busy bit is set and the INTRQ (Interrupt Request) Line is reset. The user has the option of checking the busy bit or use the INTRQ Line to denote command completion. The Busy bit will be reset whenever the 179X is idle and awaiting a new command. The INTRQ Line, once set, can only be reset by a READ of the status register or issuing a new command. The MR (Master Reset) Line does not affect INTRQ.

The A₀, A₁ Lines used for register selections can be configured at the CPU in a variety of ways. These lines may actually tie to CPU address lines, in which case the 179X will be memory-mapped and addressed like RAM. They may also be used under Program Control by tying to a port device such as the 8255, 6820, etc. As a diagnostic tool when checking out the CPU interface, the Track and Sector registers should respond like "RAM" when the 179X is idle (Busy = INTRQ = 0).

Because of internal synchronization cycles, certain time delays must be introduced when operating under Programmed I/O. The worst case delays are:

OPERATION	NEXT OPERATION	DELAY REQ'D
WRITE TO COMMAND REG	READ STATUS REGISTER	MFM = 14 μ s* FM = 28 μ s*
WRITE TO ANY REGISTER	READ FROM A DIFFERENT REG	NO DELAY

*NOTE: Times Double when CLK = 1MHz (5 $\frac{1}{4}$ " drive)

Other CPU interface lines are CLK, \overline{MR} and \overline{DDEN} . The CLK line should be 2MHz (8" drive) or 1MHz (5 $\frac{1}{4}$ " drive) with a 50% duty cycle. Accuracy should be $\pm 1\%$ (crystal source) since all internal timing, including stepping rates, are based upon this clock.

The \overline{MR} or Master Reset Line should be strobed a minimum of 50 microseconds upon each power-on condition. This line clears and initializes all internal registers and issues a restore command (Hex '03') on the rising edge. A quicker stepping rate can be written to the command register after a \overline{MR} , in which case the remaining steps will occur at the faster programmed rate. The 179X will issue a maximum of 255 stepping pulses in an attempt to expect the \overline{TROO} line to go active low. This line should be connected to the drive's \overline{TROO} sensor.

The \overline{DDEN} line causes selection of either single density ($\overline{DDEN} = 1$) or double density operation. \overline{DDEN} should not be switched during a read or write operation.

FLOPPY DISK INTERFACE

The Floppy Disk Interface can be divided into three sections: Motor Control, Write Signals and Read Signals. All of these lines are capable of driving one TTL load and not compatible for direct connection to the drive. Most drives require an open-collector TTL interface with high current drive capability. This must be done on all outputs from the 179X. Inputs to the 179X may be buffered or tied to the Drives outputs, providing the appropriate resistor termination networks are used. Undershoot should not exceed -0.3 volts, while integrity of V_{IH} and V_{OH} levels should be kept within spec.

MOTOR CONTROL

Motor Control is accomplished by the STEP and DIRC Lines. The STEP Line issues stepping pulses with a period defined by the rate field in all Type I commands. The DIRC Line defines the direction of steps (DIRC = 1 STEP IN/DIRC = 0 STEP OUT).

Other Control Lines include the \overline{IP} or Index Pulse. This Line is tied to the drives' Index L.E.D. sensor and makes an active transition for each revolution of the diskette. The \overline{TROO} Line is another L.E.D. sensor that informs the 179X that the stepper motor is at its furthest position, over Track 00. The READY Line can be used for a number of functions, such as sensing "door open", Drive motor on, etc. Most drives provide a programmable READY Signal selected by option jumpers on the drive. The 179X will look at the ready signal prior to executing READ/WRITE commands. READY is *not* inspected during any Type I commands. All Type I commands will execute regardless of the Logic Level on this Line.

WRITE SIGNALS

Writing of data is accomplished by the use of the WD, WG, WF, TG43, EARLY and LATE Lines. The WG or Write Gate Line is used to enable write current at the drive's R/W head. It is made active prior to writing data on the disk. The WF or WRITE FAULT Line is used to inform the 179X of a failure in drive electronics. This signal is multiplexed with the VFOE Line and must be logically separated if required. Figure 5 illustrates three methods of demultiplexing.

The TG43 or "TRACK GREATER than 43" Line is used to decrease the Write current on the inner tracks, where bit densities are the highest. If not required on the drive, TG43 may be left open.

WRITE PRECOMPENSATION

The 179X provides three signals for double density Write Precompensation use. These signals are WRITE DATA, EARLY and LATE. When using single density drives (either 8" or 5 $\frac{1}{4}$ "), Write Precompensation is not necessary and the WRITE DATA line is generally TTL Buffered and sent directly to the drive. In this mode, EARLY and LATE are left open.

For double density use, Write Precompensation is a function of the drive. Some manufacturers recommend Precompensating the 5 $\frac{1}{4}$ " drive, while others do not. With the 8" drive, Precompensation may be specified from TRACK 43 on, or in most cases, all TRACKS. If the recommended Precompensation is not specified,

check with the manufacturer for the proper configuration required.

The amount of Precompensation time also varies. A typical value will usually be specified from 100-300ns. Regardless of the parameters used, Write Precompensation must be done external to the 179X. When DDEN is tied low, EARLY or LATE will be activated at least 125ns. before and after the Write Data pulse. An Algorithm internal the 179X decides whether to raise EARLY or LATE, depending upon the previous bit pattern sent. As an example, suppose the recommended Precomp value has been specified at 150ns. The following action should be taken:

EARLY	LATE	ACTION TAKEN
0	0	delay WD by 150ns (nominal)
0	1	delay WD by 300ns (2X value)
1	0	do not delay WD

There are two methods of performing Write Precompensation:

- 1) External Delay elements
- 2) Digitally

Shown in Figure 6 is a Precomp circuit using the Western Digital 2143 clock generator as the delay element. The WD pulse from the 179X creates a strobe to the 2143, causing subsequent output pulses on the $\phi 1$, $\phi 2$ and $\phi 3$ signals. The 5K Precomp adjust sets the desired Precomp value. Depending upon the condition of EARLY and LATE, $\phi 1$ will be used for EARLY, $\phi 2$ for nominal (EARLY = LATE = 0), and $\phi 3$ for LATE. The use of "one-shots" or delay line in a Write Precompensation scheme offers the user the ability to vary the Precomp value. The $\phi 4$ output resets the 74LS175 Latch in anticipation of the next WD pulse. Figure 7 shows the WD-EARLY/LATE relationship, while Figure 8 shows the timing of this write Precomp scheme.

Another method of Precomp is to perform the function digitally. Figure 9 illustrates a relationship between the WD pulse and the CLK pin, allowing a digital Precomp scheme. Figure 10 shows such a scheme with a preset Write Precompensation value of 250ns. The synchronous counter is used to generate 2MHz and 4MHz clock signals. The 2MHz clock is sent to the CLK input of the 179X and the 4MHz is used by the 4-bit shift register. When a WD pulse is not present, the 4MHz clock is shifting "ones" through the shift register and maintaining Q_0 at a zero level. When a WD pulse is present, a zero is loaded at either A, B, or C depending upon the states of LATE, EN PRECOMP and EARLY. The zero is then shifted by the 4MHz clock until it reaches the Q_0 output. The number of shift operations determines whether the WRITE DATA pulse is written early, nominal or late. If both FM and MFM operations is a system requirement, the output of this circuit should be disabled and the WD pulse should be sent directly to the drive.

DATA SEPARATION

The 179X has two inputs (RAW READ & RCLK) and one output (VFOE) for use by an external data separator. The RAW READ input must present clock and data pulses to the 179X, while the RCLK input provides a "window" or strobe signal to clock each RAW READ pulse into the device. An ideal Data Separator would have the leading edge of the RAW READ pulse occur in the exact center of the RCLK strobe.

Motor Speed Variation, Bit shifts and read amplifier recovery circuits all cause the RAW READ pulses to drift away from their nominal positions. As this occurs, the RAW READ pulses will shift left or right with respect to RCLK. Eventually, a pulse will make its transition outside of its RCLK window, causing either a CRC error or a Record-not-Found error at the 179X.

A Phase-Lock-Loop circuit is one method of achieving synchronization between the RCLK and RAW READ signals. As RAW READ pulses are fed to the PLL, minor adjustments of the free-running RCLK frequency can be made. If pulses are occurring too far apart, the RCLK frequency is *decreased* to keep synchronization. If pulses begin to occur closer together, RCLK is *increased* until this new higher frequency is achieved. In normal read operations, RCLK will be constantly adjusted in an attempt to match the incoming RAW READ frequency.

Another method of Data Separation is the Counter-Separator technique. The RCLK signal is again free-running at a nominal rate, until a RAW READ pulse occurs. The Separator then denotes the position of the pulse with respect to RCLK (by the counter value), and counts down to increase or decrease the current RCLK window. The next RCLK window will occur at a nominal rate and will continue to run at this frequency until another RAW READ pulse adjusts RCLK, but only the present window is adjusted.

Both PPL and Counter/Separator are acceptable methods of Data Separation. The PPL has the highest reliability because of its "tracking" capability and is recommended for 8" double density designs.

As a final note, the term "Data Separator" may be misleading, since the physical separation of clock and data bits are not actually performed. This term is used throughout the industry, and can better be described as a "Data Recovery Circuit" rather than a Data Separator.

The VFOE signal is an output from the 179X that signifies the head has been loaded and valid data pulses are appearing on the RAW READ line. It can be used to enable the Data Separator and to insure clean RCLK transitions to the 179X. Since some drives will output random pulses when the head is disengaged, VFOE can prevent an erratic RCLK signal during this time. If the Data Separator requires synchronization during a known pattern of one's or zero's, then RG (READ GATE) can be used. The RG signal will go active when the 179X is currently over a field of zeros or ones. RG is not available on the 1795/1797 devices, since this signal was replaced with the SSO (Side Select Output) Line.

Shown in Figure 11 is a 2½ IC Counter/Separator. The 74LS193 free runs at a frequency determined by the CRYCLK input. When a RAW READ pulse occurs, the counter is loaded with a starting count of '5'. When the RAW READ Line returns to a Logic 1, the counter counts down to zero and again free runs. The 74LS74 insures a 50% duty cycle to the 179X and performs a divide-by-two of the Q₀ output.

Figure 12 illustrates another Counter/Separator utilizing a PROM as the count generator. Depending upon the RAW READ phase relationship to RCLK, the PROM is addressed and its data output is used as the counter value. A 16MHz clock is required for 8" double density, while an 8MHz clock can be used for single density.

Figure 13 shows a Phase-Lock-Loop data recovery circuit. The phase detector (U2, Figure 2) compares the phase of the SHAPED DATA pulse to the phase of VFO CLK ÷ 2. If VFO CLK ÷ 2 is lagging the SHAPED DATA pulse an output pulse on #9, U2 is generated. The filter/amplifier converts this pulse into a DC signal which increases the frequency of the VCO. If, correspondingly, CLK ÷ 2 is leading the SHAPED DATA pulse, an output pulse on #5, U2 is generated. This pulse is converted into a DC signal which decreases the frequency of the VCO. These two actions cause the VCO to track the frequency of the incoming READ DATA pulses. This correction process to keep the two signals in phase is constantly occurring because of spindle speed variation and circuit parameter variations.

The operating specifications for this circuit are as follows:

Free Running Frequency	2MHz
Capture Range	± 15%
Lock Up Time	50 microsec. "1111" or "0000" Pattern
	100 Microsec "1010" Pattern

The RAW READ pulses are generated from the falling edge of the SHAPED DATA pulses. The pulses are also reshaped to meet the 179X requirements. VFO CLK ÷ 2 OR 4 is divided by 2 once again to obtain VFO CLK OUT whose frequency is that required by the 179X RCLK input. RCLK must be controlled by VFOE so VFOE is sampled on each rising edge of VFO CLK OUT. When VFOE goes active EN RCLK goes active in synchronization with VFO CLK OUT preventing any glitches on the RCLK output. When VFOE goes inactive EN RCLK goes inactive in synchronization with VFO CLK OUT, again preventing any glitches on the RCLK output.

Figure 14 illustrates a PPL data recovery circuit using the Western Digital 1691 Floppy Support device. Both data recovery and Write Precomp Logic is contained within the 1691, allowing low chip count and PLL reliability. The 74S124 supplies the free-running VCO output. The PUMP UP and PUMP DOWN signals from the 1691 are used to control the 74S124's frequency.

COMMAND USAGE

Whenever a command is successfully or unsuccessfully completed, the busy bit of the status register is reset and the INTRQ line is forced high. Command termination may be detected either way. The INTRQ can be tied to the host processor's interrupt with an appropriate service routine to terminate commands. The busy bit may be monitored with a user program and will achieve the same results through software. Performing both an INTRQ and a busy bit check is not recommended because a read of the status register to determine the condition of the busy bit will reset the INTRQ line. This can cause an INTRQ from not occurring.

RESTORE COMMAND

On some disk drives, it is possible to position the R/W head outward past Track 00 and prevent the TROO line from going low unless a STEP IN is first performed. If this condition exists in the drive used, the RESTORE command will never detect a TROO. Issuing several STEP IN pulses before a RESTORE command will remedy this situation. The RESTORE and all other Type I commands will execute even though the READY bit indicates the drive is not ready (NOT READY = 1).

READ TRACK COMMAND

The READ TRACK command can be used to manually inspect data on a hard copy printout. Gaps, address marks and all data are brought in to the data register during this command. The READ TRACK command may be used to inspect diskettes for valid formatting and data fields as well as address marks. Since the 179X does not synchronize clock and data until the Index Address Mark is detected, data previous to this ID mark will not be valid. READ GATE (RG) is not actuated during this command.

READ ADDRESS COMMAND

In systems that use either multiple drives or sides, the read address command can be used to tell the host processor which drive or side is selected. The current position of the R/W head is also denoted in the six bytes of data that are sent to the computer.

TRACK	SIDE	SECTOR	CRS LENGTH	CRC 1	CRC 2
-------	------	--------	---------------	----------	----------

The READ ADDRESS command as well as all other Type II and Type III commands will not execute if the READY line is inactive (READY = 0). Instead, an interrupt will be generated and the NOT READY status bit will be set to a 1.

FORCED INTERRUPT COMMAND

The Forced Interrupt command is generally used to terminate a multiple sector command or to insure Type I status in the status register. The lower four bits of the command determine the conditional interrupt as follows:

1 ₀	=	NOT-READY TO READY TRANSITION
1 ₁	=	READY TO NOT-READY TRANSITION
1 ₂	=	EVERY INDEX PULSE
1 ₃	=	IMMEDIATE INTERRUPT

Regardless of the conditional interrupt set, any command that is currently being executed when the Forced Interrupt command is loaded will immediately be terminated and the busy bit will be reset indicating an idle condition.

Then, when the condition for interrupt is met, the INTRQ line will go high signifying that the condition specified has occurred.

The conditional interrupt is enabled when the corresponding bit positions of the command (I₃ - I₀) are set to a 1. If I₃ - I₀ are all set to zero, no interrupt will occur, but any command presently under execution will be immediately terminated upon receipt of the Force Interrupt command (HEX DO).

As usual, to clear the interrupt a read of the status register or a write to the command register is required. The exception is when using the immediate interrupt condition (I₃ = 1). If this command is loaded into the command register, an interrupt will be immediately generated and the current command terminated. Reading the status or writing to the command register will not automatically clear the interrupt; another forced interrupt command with I₃ - I₀ = 0 must be loaded into the command register in order to reset the INTRQ from this condition.

More than one condition may be set at a time. If for example, the READY TO NOT-READY condition (I₁ = 1) and the Every Index Pulse (I₂ = 1) are both set, the resultant command would be HEX "DA". The "OR" function is performed so that either a READY TO NOT-READY or the next Index Pulse will cause an interrupt condition.

DATA RECOVERY

Occasionally, the R/W head of the disk drive may get "off track", and dust or dirt may get trapped on the media. Both of these conditions will cause a RECORD NOT FOUND and/or a CRC error to occur. This "soft error" can usually be recovered by the following procedure:

1. Issue the command again
2. Unload and load the head and repeat step
3. Issue a restore, seek the track, and repeat step 1

If RNF or CRC errors are still occurring after trying these methods, a "hard error" may exist. This is usually caused by improper disk handling, exposure to high magnetic fields, etc. and generally results in destroying portions or tracks of the diskette.

FIGURE 1. DEVICE CHARACTERISTICS

DEVICE	SNGL DENSITY	DBLE DENSITY	INVERTED BUS	TRUE BUS	DOUBLE-SIDED
1791	X	X	X		
1792	X		X		
1793	X	X		X	
1794	X			X	
1795	X	X	X		X
1797	X	X		X	X

FIGURE 2. STORAGE CAPACITIES

SIZE	DENSITY	SIDES	UNFORMATTED CAPACITY (NOMINAL)		BYTE TRANSFER TIME	FORMATTED CAPACITY	
			PER TRACK	PER DISK		PER TRACK	PER DISK
5¼"	SINGLE	1	3125	109,375*	64µs	2304**	80,640
5¼"	DOUBLE	1	6250	218,750	32µs	4608***	161,280
5¼"	SINGLE	2	3125	218,750	64µs	2304	161,280
5¼"	DOUBLE	2	6250	437,500	32µs	4608	322,560
8"	SINGLE	1	5208	401,016	32µs	3328	256,256
8"	DOUBLE	1	10,416	802,032	16µs	6656	512,512
8"	SINGLE	2	5208	802,032	32µs	3328	512,512
8"	DOUBLE	2	10,416	1,604,064	16µs	6656	1,025,024

*Based on 35 Tracks/Side

**Based on 18 Sectors/Track (128 byte/sec)

***Based on 18 Sectors/Track (256 bytes/sec)

FIGURE 3. NOMINAL VS. WORSE CASE SERVICE TIME

SIZE	DENSITY	NOMINAL TRANSFER TIME	WORST-CASE 179X SERVICE TIME	
			READ	WRITE
5 1/4"	SINGLE	64 μs	55.0 μs	47.0 μs
5 1/4"	DOUBLE	32 μs	27.5 μs	23.5 μs
8"	SINGLE	32 μs	27.5 μs	23.5 μs
8"	DOUBLE	16 μs	13.5 μs	11.5 μs

FIGURE 4A. FM RECORDING

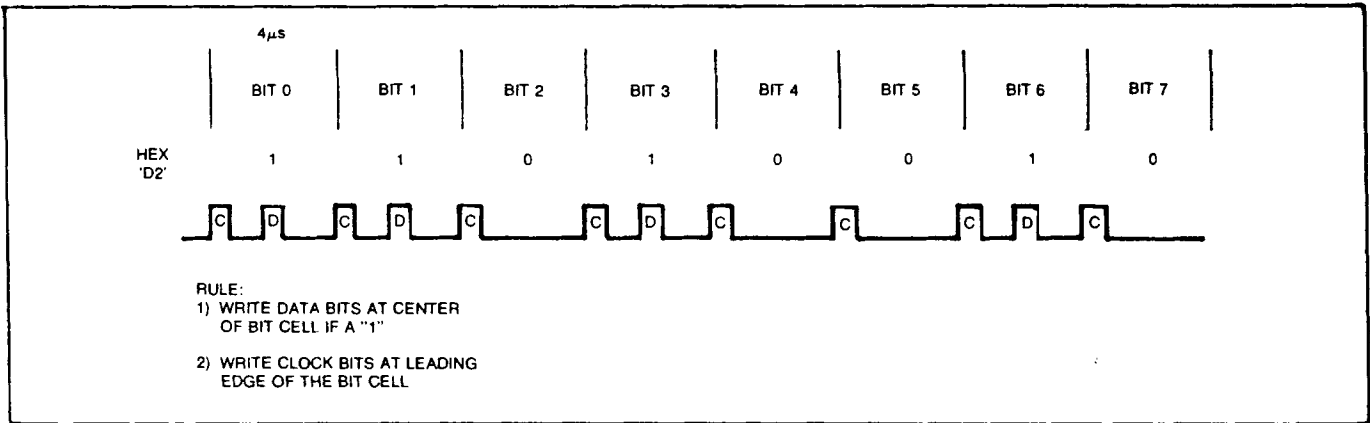


FIGURE 4B. MFM RECORDING

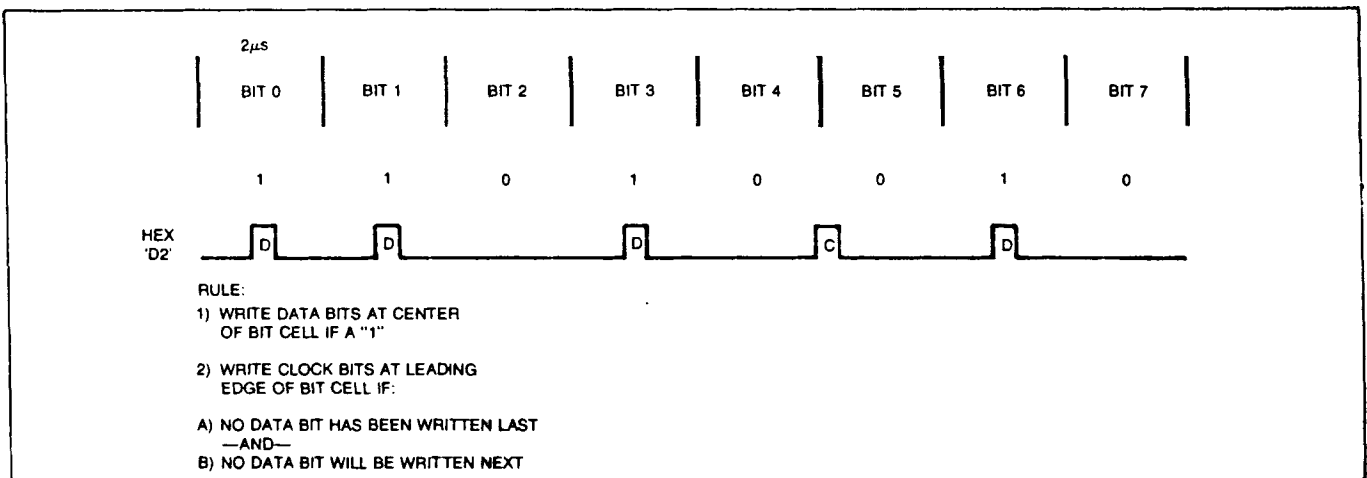
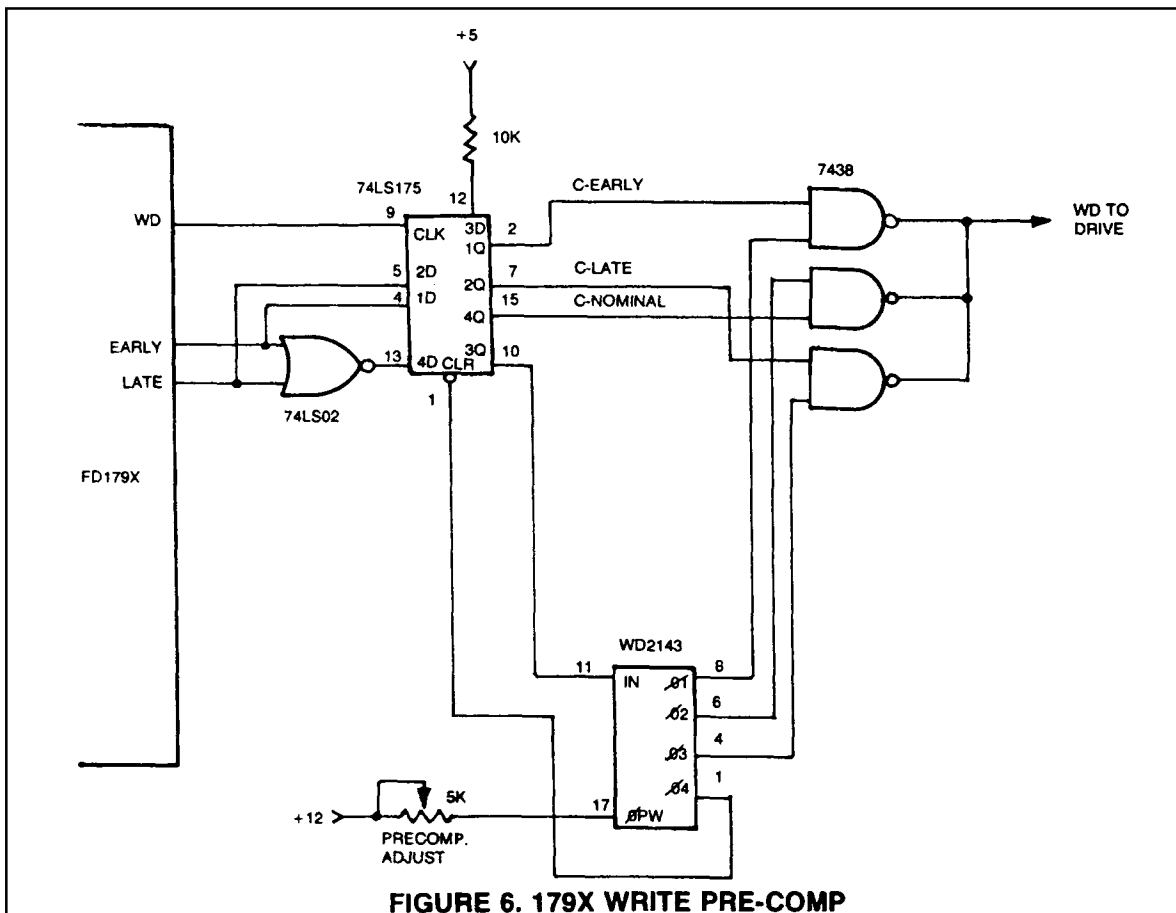
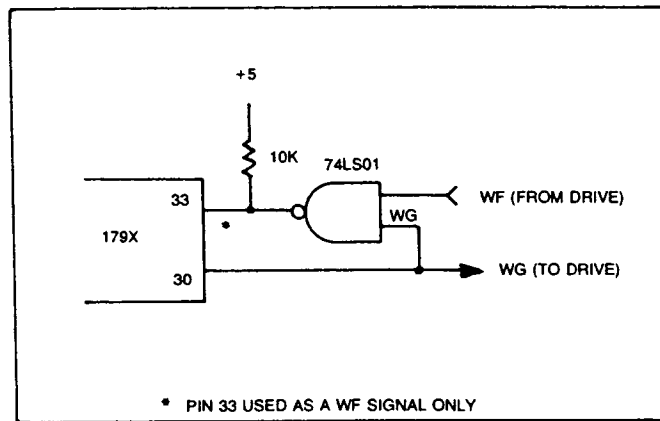
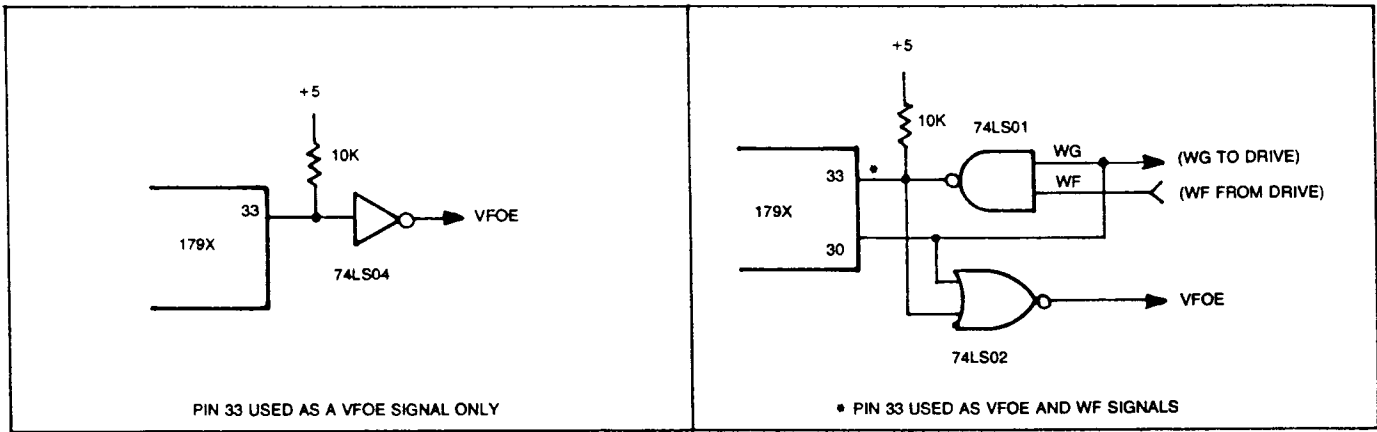


FIGURE 5. WF/VFOE DEMULTIPLEXING CIRCUITRY



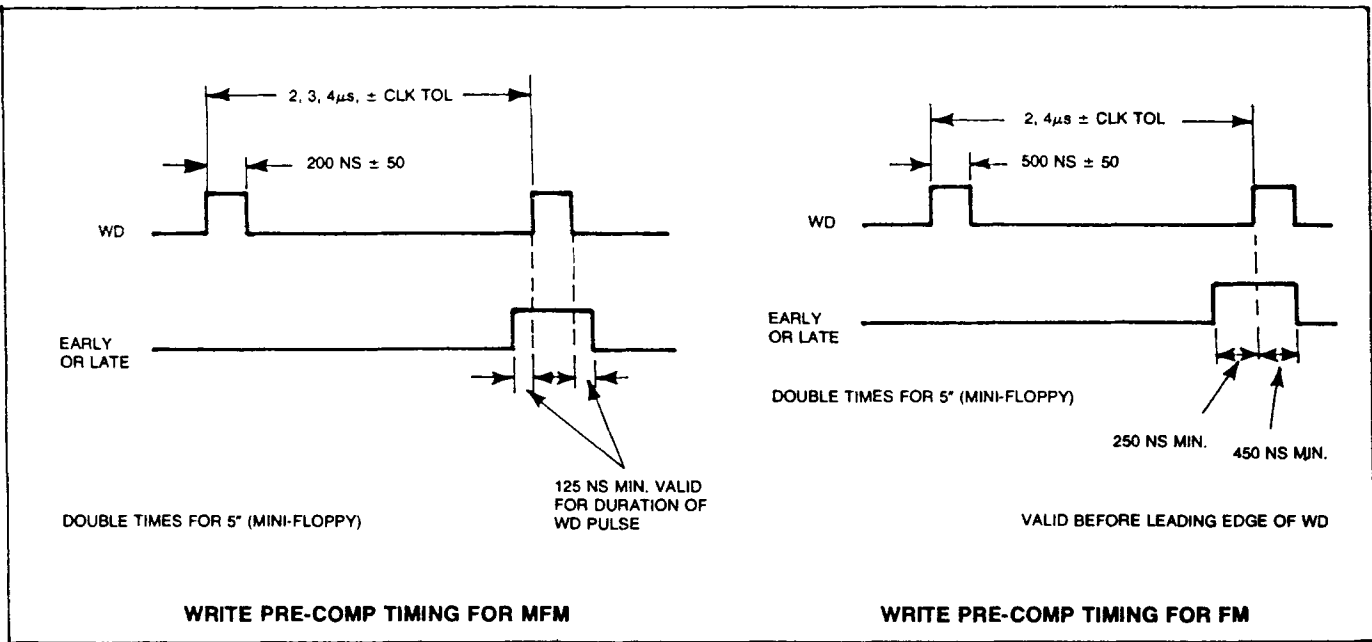
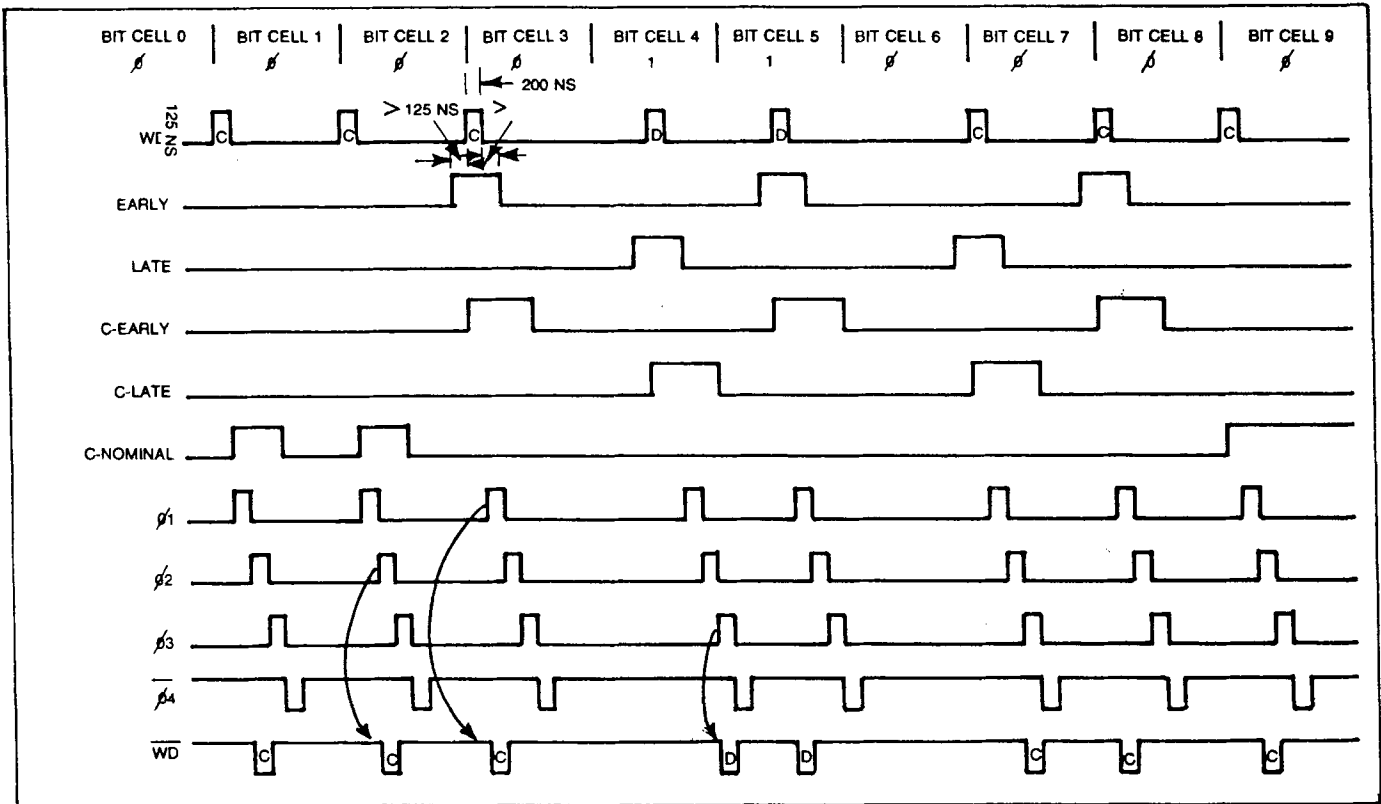


FIGURE 7. WRITE PRE-COMP TIMING



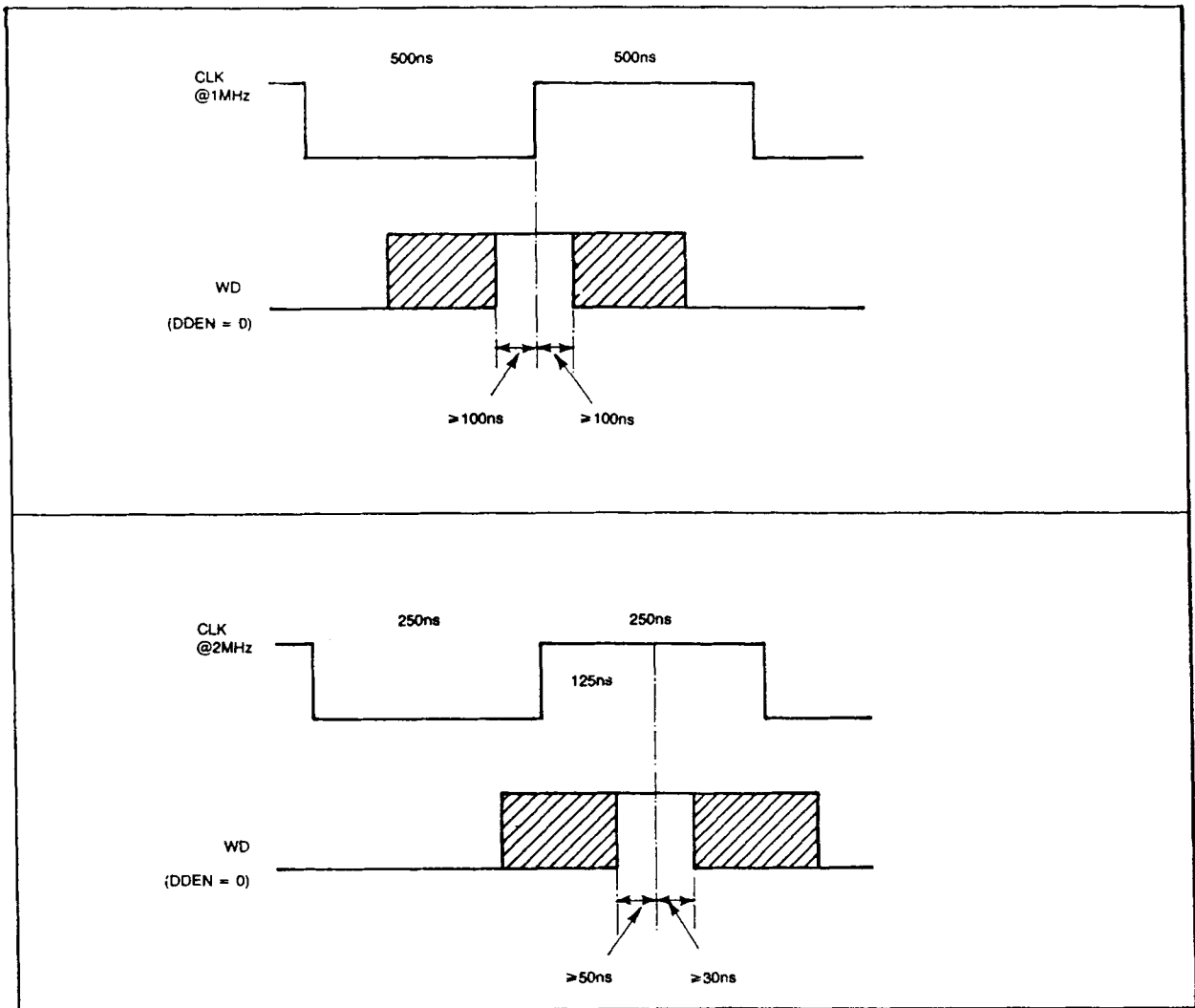


FIGURE 9. WD/CLK RELATIONSHIP FOR WRITE PRECOMP USE

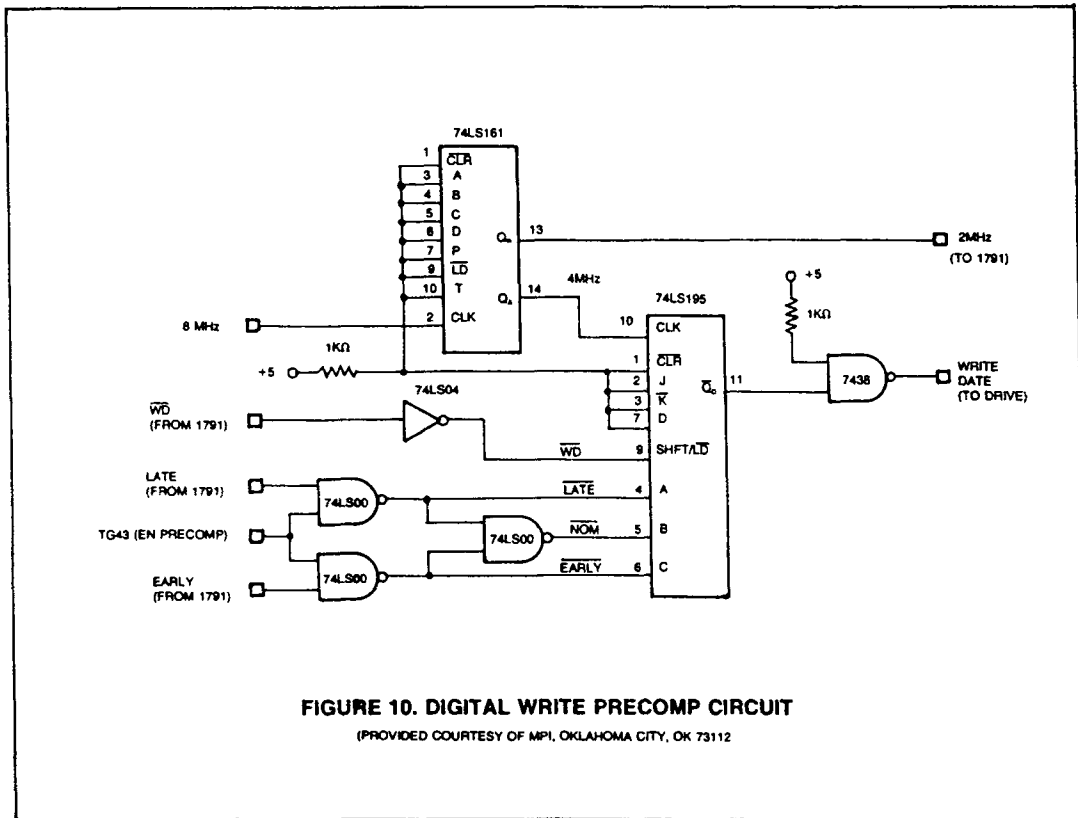


FIGURE 10. DIGITAL WRITE PRECOMP CIRCUIT

(PROVIDED COURTESY OF MPI, OKLAHOMA CITY, OK 73112)

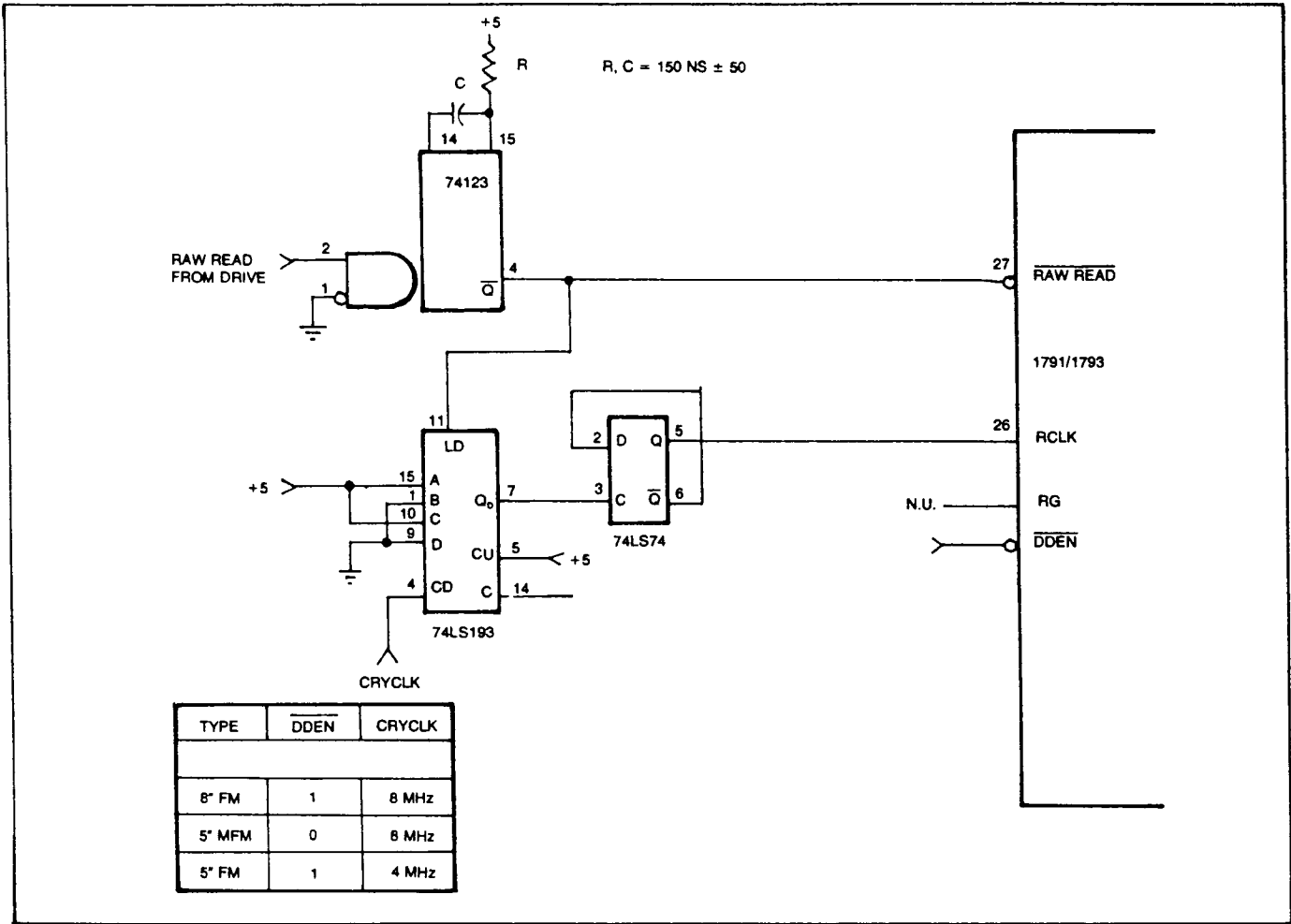


FIGURE 11. COUNTER/SEPARATOR

ADDRESS	DATA	ACTION TAKEN
00	01	NONE
01	01	RETARD BY 1 COUNT
02	02	
03	03	RETARD BY 2 COUNTS
04	03	
05	04	
06	05	
07	06	
08	0B	ADVANCE BY 2 COUNTS
09	0D	
0A	0C	
0B	0E	
0C	0F	ADVANCE BY 1 COUNT
0D	0F	
0E	00	
0F	01	
10	01	FREE RUN
11	02	
12	03	
13	04	
14	05	
15	06	
16	07	
17	08	
18	09	
19	0A	
1A	0B	
1B	0C	
1C	0D	
1D	0E	
1E	0F	
1F	00	

745288 PROGRAMMING TABLE

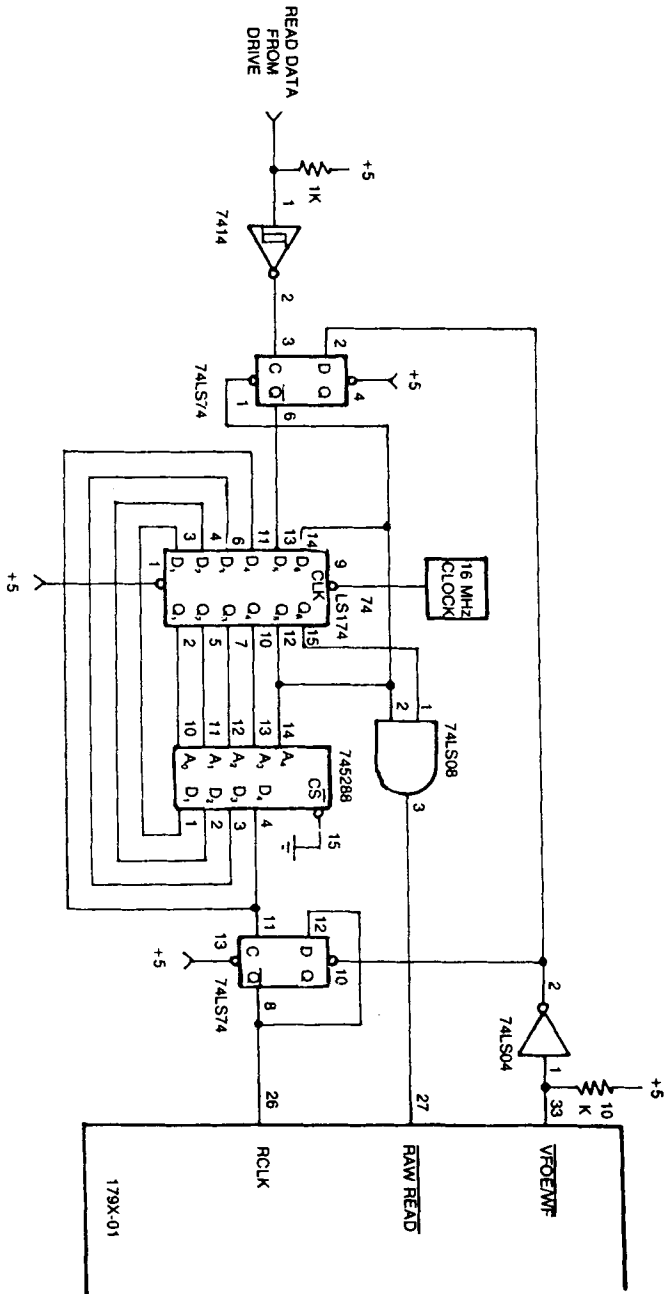


FIGURE 12. 179X DATA SEPARATOR

(PROVIDED COURTESY OF ANDROMEDA SYSTEMS, PANORAMA CITY, CA 91402)

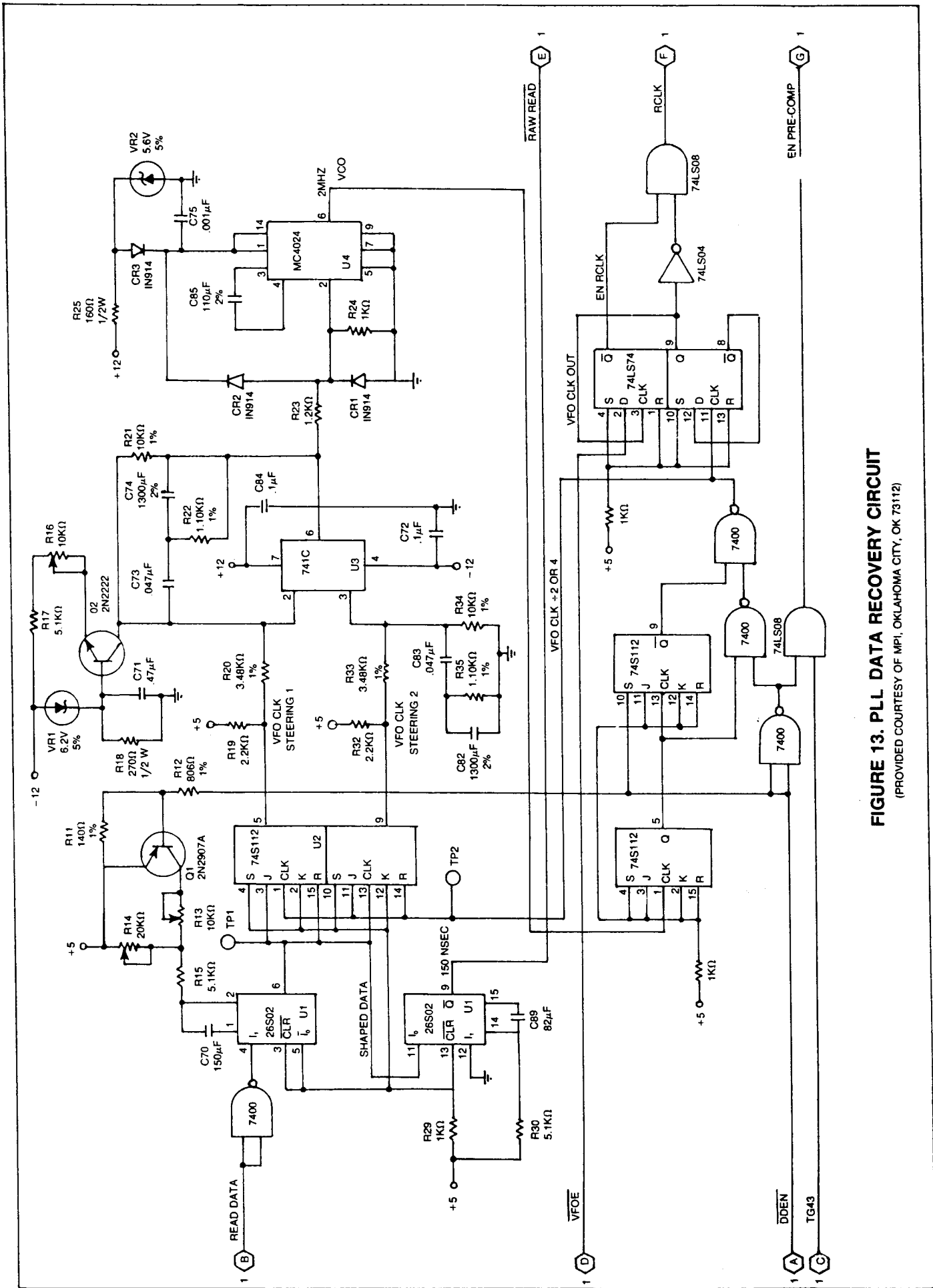


FIGURE 13. PLL DATA RECOVERY CIRCUIT

(PROVIDED COURTESY OF MPI, OKLAHOMA CITY, OK 73112)

COMMAND SUMMARY

		BITS							
TYPE COMMAND		7	6	5	4	3	2	1	0
I	Restore	0	0	0	0	h	V	r ₁	r ₀
I	Seek	0	0	0	1	h	V	r ₁	r ₀
I	Step	0	0	1	u	h	V	r ₁	r ₀
I	Step In	0	1	0	u	h	V	r ₁	r ₀
I	Step Out	0	1	1	u	h	V	r ₁	r ₀
II	Read Sector	1	0	0	m	S	E	C	0
II	Write Sector	1	0	1	m	S	E	C	a ₀
III	Read Address	1	1	0	0	0	E	0	0
III	Read Track	1	1	1	0	0	E	0	0
III	Write Track	1	1	1	1	0	E	0	0
IV	Force Interrupt	1	1	0	1	l ₃	l ₂	l ₁	l ₀

Note: Bits shown in TRUE form.

STEPPING RATES

CLK	2 MHz	2 MHz	1 MHz	1 MHz	2 MHz	1 MHz
DDEN	0	1	0	1	X	X
R ₁ , R ₀	TEST=1	TEST=1	TEST=1	TEST=1	TEST=0	TEST=0
0 0	3 ms	3 ms	6 ms	6 ms	184μs	368μs
0 1	6 ms	6 ms	12 ms	12 ms	190μs	380μs
1 0	10 ms	10 ms	20 ms	20 ms	198μs	396μs
1 1	15 ms	15 ms	30 ms	30 ms	208μs	416μs

FLAG SUMMARY

TYPE I COMMANDS

h = Head Load Flag (Bit 3)

h = 1, Load head at beginning
h = 0, Unload head at beginning

V = Verify flag (Bit 2)

V = 1, Verify on destination track
V = 0, No verify

r₁r₀ = Stepping motor rate (Bits 1-0)

Refer to Table 1 for rate summary

u = Update flag (Bit 4)

u = 1, Update Track register
u = 0, No update

FLAG SUMMARY

TYPE II & III COMMANDS

m = Multiple Record flag (Bit 4)

m = 0, Single Record
m = 1, Multiple Records

a₀ = Data Address Mark (Bit 0)

a₀ = 0, FB (Data Mark)
a₀ = 1, F8 (Deleted Data Mark)

E = 15 ms Delay (2MHz)

E = 1, 15 ms delay

E = 0, no 15 ms delay

S = Side Select Flat

S = 0, Compare for Side 0

S = 1, Compare for Side 1

C = Side Compare Flag

C = 0, disable side select compare

C = 1, enable side select compare

FLAG SUMMARY

TYPE IV COMMAND

li = Interrupt Condition flags (Bits 3-0)

l0 = 1, Not-Ready to Ready Transition

l1 = 1, Ready to Not-Ready Transition

l2 = 1, Index Pulse

l3 = 1, Immediate Interrupt

l₃ - l₀ = 0, Terminate with no Interrupt

This is a preliminary specification with tentative device parameters and may be subject to change after final product characterization is completed.

Information furnished by Western Digital Corporation is believed to be accurate and reliable. However, no responsibility is assumed by Western Digital Corporation for its use; nor any infringements of patents or other rights of third parties which may result from its use. No license is granted by implication or otherwise under any patent or patent rights of Western Digital Corporation. Western Digital Corporation reserves the right to change said circuitry at any time without notice.

WESTERN DIGITAL
C O R P O R A T I O N

3128 REDHILL AVENUE, BOX 2180
NEWPORT BEACH, CA 92663 (714) 557-3550, TWX 910-595-1139