



Data Sheet

VT6212 / VT6212L PCI USB 2.0 Controller

Revision 1.06
December 7, 2005

VIA TECHNOLOGIES, INC.

Copyright Notice:

Copyright © 2002-2005 VIA Technologies Incorporated. Printed in the United States. ALL RIGHTS RESERVED.
No part of this document may be reproduced, transmitted, transcribed, stored in a retrieval system, or translated into any language, in any form or by any means, electronic, mechanical, magnetic, optical, chemical, manual or otherwise without the prior written permission of VIA Technologies Incorporated.

Trademark Notices:



is a registered trademark of VIA Technologies, Incorporated.

VT6202, VT6212 and VT6212L may only be used to identify products of VIA Technologies, Incorporated.

Windows XP™, Windows 2000™, Windows ME™ and Windows 98SE™ are registered trademarks of Microsoft Corporation.

PCI™ is a registered trademark of the PCI Special Interest Group.

All trademarks are the properties of their respective owners.

Disclaimer Notice:

No license is granted, implied or otherwise, under any patent or patent rights of VIA Technologies. VIA Technologies makes no warranties, implied or otherwise, in regard to this document and to the products described in this document. The information provided by this document is believed to be accurate and reliable as of the publication date of this document. However, VIA Technologies assumes no responsibility for any errors in this document. Furthermore, VIA Technologies assumes no responsibility for the use or misuse of the information in this document and for any patent infringements that may arise from the use of this document. The information and product specifications within this document are subject to change at any time, without notice and without obligation to notify any person of such change.

Offices:

USA Office:

940 Mission Court
Fremont, CA 94539

USA

Tel: (510) 683-3300

Fax: (510) 683-3301 -or- (510) 687-4654

Web: <http://www.viatech.com>

Taipei Office:

1st Floor, No. 531

Chung-Cheng Road, Hsin-Tien

Taipei, Taiwan ROC

Tel: (886-2) 2218-5452

Fax: (886-2) 2218-5453

Web: <http://www.via.com.tw>

REVISION HISTORY

Document Release	Date	Revision	Initials
1.0	6/5/03	Initial external release	EY
1.01	2/27/04	Updated cover page Updated copyright page Changed pins 104, 103, 57, 58, 59, 97 to NC Updated pin-out diagram Updated pin list Updated pin descriptions	JW
1.02	10/21/04	Added figure 4, lead-free mechanical specification diagram	JW
1.03	12/21/04	Specified PCI 2.2 bus support	JW
1.04	4/19/05	Registers updated f0rx41[4], f0rx42[1-0], f0rx48[5], f0rx4B[0], f2rx41[4], f2rx48[5], f2rx49[7-5], f2rx4A, f2rx4B[5, 3-0], f2rx51	JW
1.05	11/16/05	Modified legal page Changed pins 60, 63, 64 and 102 to NC Updated pin-out diagram Updated pin list Updated pin descriptions	SV
1.06	12/7/05	Updated pin information	SV

TABLE OF CONTENTS

REVISION HISTORY	I
TABLE OF CONTENTS.....	II
LIST OF FIGURES	III
LIST OF TABLES	IV
PRODUCT FEATURES	1
OVERVIEW.....	2
PINOUTS.....	3
PIN DIAGRAM	3
PIN LIST	4
PIN DESCRIPTIONS.....	5
REGISTERS.....	8
REGISTER OVERVIEW	8
REGISTER SUMMARY TABLES.....	8
Function 0-1 UHCI Universal Host Controller Interface	8
Function 0-1 UHCI PCI Configuration Header.....	8
Function 0-1 UHCI Device Specific Registers.....	8
Function 0-1 USB UHCI I/O Registers.....	8
Function 2 EHCI Enhanced Host Controller Interface	9
Function 2 EHCI PCI Configuration Header.....	9
Function 2 EHCI Device Specific Registers	9
Function 2 USB EHCI Memory-Mapped I/O Registers	10
EHCI Memory Mapped I/O Capability Registers	10
EHCI Memory Mapped I/O Operational Registers	10
REGISTER DESCRIPTIONS.....	11
Function 0-1 UHCI Universal Host Controller Interface	11
Function 0-1 Configuration Space Header	11
Function 0-1 Device Specific Registers	12
Function 2 EHCI Enhanced Host Controller Interface	14
Function 2 Configuration Space Header.....	14
Function 2 Device-Specific Registers	15
Function 2 EHCI Compliant USB Memory-Mapped I/O Registers	16
EHCI Capability Registers	16
EHCI Operational Registers	16
ELECTRICAL SPECIFICATIONS	17
PACKAGE MECHANICAL SPECIFICATIONS.....	19

LIST OF FIGURES

FIGURE 1. VT6212 / VT6212L CHIP BLOCK DIAGRAM.....	2
FIGURE 2. VT6212 (PQFP) / VT6212L (LQFP) PIN DIAGRAM (TOP VIEW)	3
FIGURE 3. MECHANICAL SPECIFICATIONS – 128 PIN PQFP (VT6212) / LQFP (VT6212L) PACKAGE	19
FIGURE 4. LEAD-FREE MECHANICAL SPECIFICATIONS – 128 PIN PQFP (VT6212) / LQFP (VT6212L) PACKAGE	20

LIST OF TABLES

TABLE 1. VT6212 / VT6212L PIN LIST (ALPHABETICAL ORDER)	4
TABLE 2. VT6212 / VT6212L PIN DESCRIPTIONS	5
TABLE 3. ABSOLUTE MAXIMUM RATINGS	17
TABLE 4. DC CHARACTERISTICS	17
TABLE 5. POWER SPECIFICATIONS	18

VT6212 / VT6212L

PCI USB 2.0 4-Port Host Controller

USB 2.0 UHCI / EHCI Host Controller for the PCI 2.2 Bus

PRODUCT FEATURES

- **USB 2.0**
 - Compliant with Universal Serial Bus Specification Revision 2.0
 - Compliant with Enhanced Host Controller Interface Specification Revision 1.0
 - Compliant with Universal Host Controller Interface Specification Revision 1.1
 - PCI multi-function device consists of two UHCI Host Controllers for full/low-speed signaling and one EHCI Host Controller core for high-speed signaling
 - 4 downstream facing ports in the root hub with integrated physical layer transceivers shared by UHCI and EHCI Host Controllers
 - Supports PCI-Bus Power Management Interface Specification release 1.1
 - Legacy support for all downstream facing ports
 - 4 DMA engines with pipelined control for USB data transfer bandwidth improvement
 - Dynamic clock stop control for power consumption reduction
- **Serial EEPROM Support for Boot Register Update**
- **Cardbus Mode Support**
- **2.5V Power Supply with 5V Tolerant Inputs**
- **0.22 μ m, Low Power CMOS Process**
- **128-Pin PQFP (VT6212) and 128-Pin LQFP (VT6212L) Packages Available**
- **Schematics and PCB Reference Designs Available**
- **System Clock Using 24 MHz Crystal**
- **Support for PCI Mobile Design Guide**

OVERVIEW

The VT6212 / VT6212L USB 2.0 UHCI and EHCI Host Controller for the PCI 2.2 Bus provides higher bandwidth (480 Mbps) and is backward compatible with USB 1.1. It implements Universal Serial Bus Specification Revision 2.0 and is compliant with UHCI 1.1 and EHCI 1.0 with a 32-bit PCI host bus interface. The VT6212 / VT6212L adopts 4 DMA engines with pipelined control for USB data transfer bandwidth improvement and dynamic clock stop control for power consumption reduction.

The VT6212 / VT6212L supports 4 downstream facing ports with 1.5 (low-speed), 12 (full-speed) and 480 (high-speed) Mbps transaction capability. The Root Hub is integrated with physical-layer transceivers shared by UHCI (for full/low-speed) and EHCI (for high-speed) Host Controllers. The VT6212 / VT6212L also supports PCI-Bus Power Management Interface Specification 1.1 and has legacy support for all downstream facing ports.

The VT6212 / VT6212L is ready to provide a PCI 4-port USB2.0 peripheral-interface to satisfy the needs of desktops, mobile systems, and other host platforms. Support for the VT6212 / VT6212L is built into Microsoft Windows XP and Windows 2000. Win98SE and WinME drivers are provided by VIA.

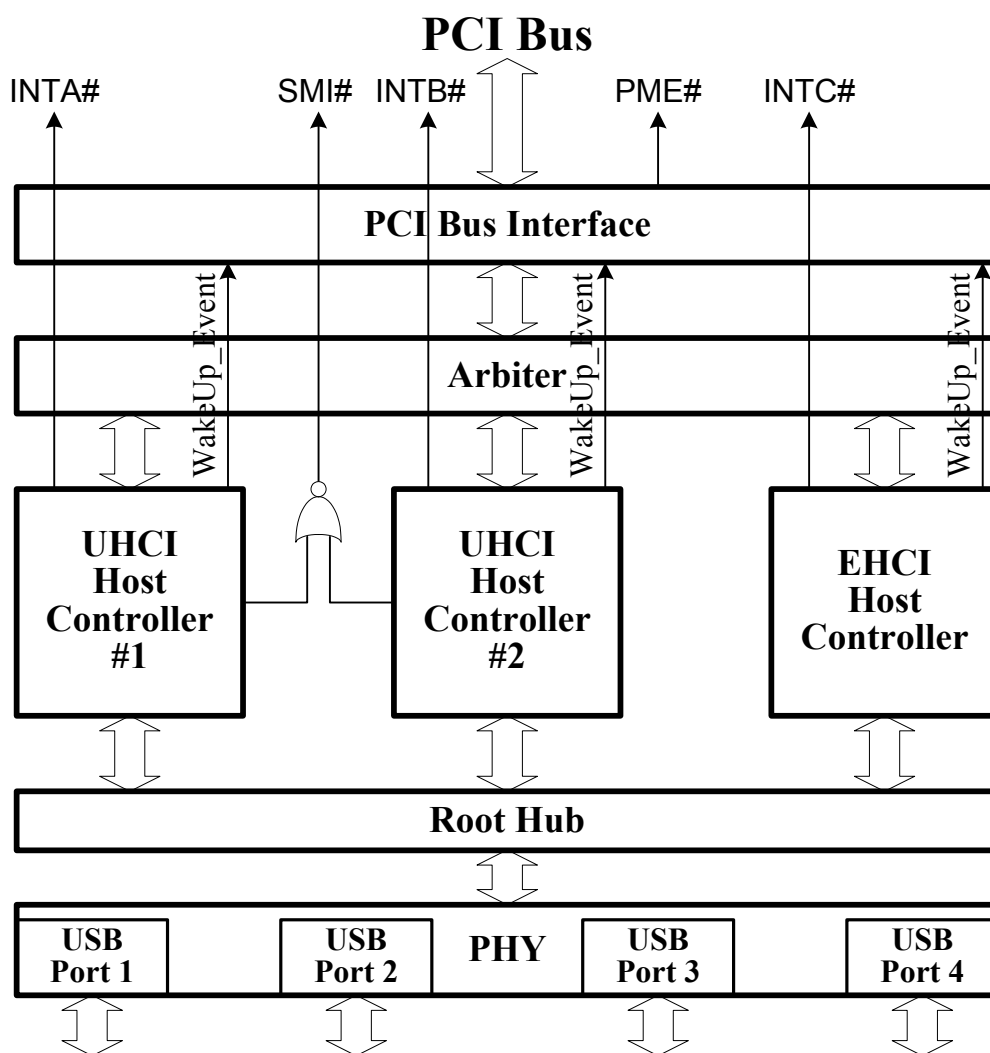


Figure 1. VT6212 / VT6212L Chip Block Diagram

PINOCTS

Pin Diagram

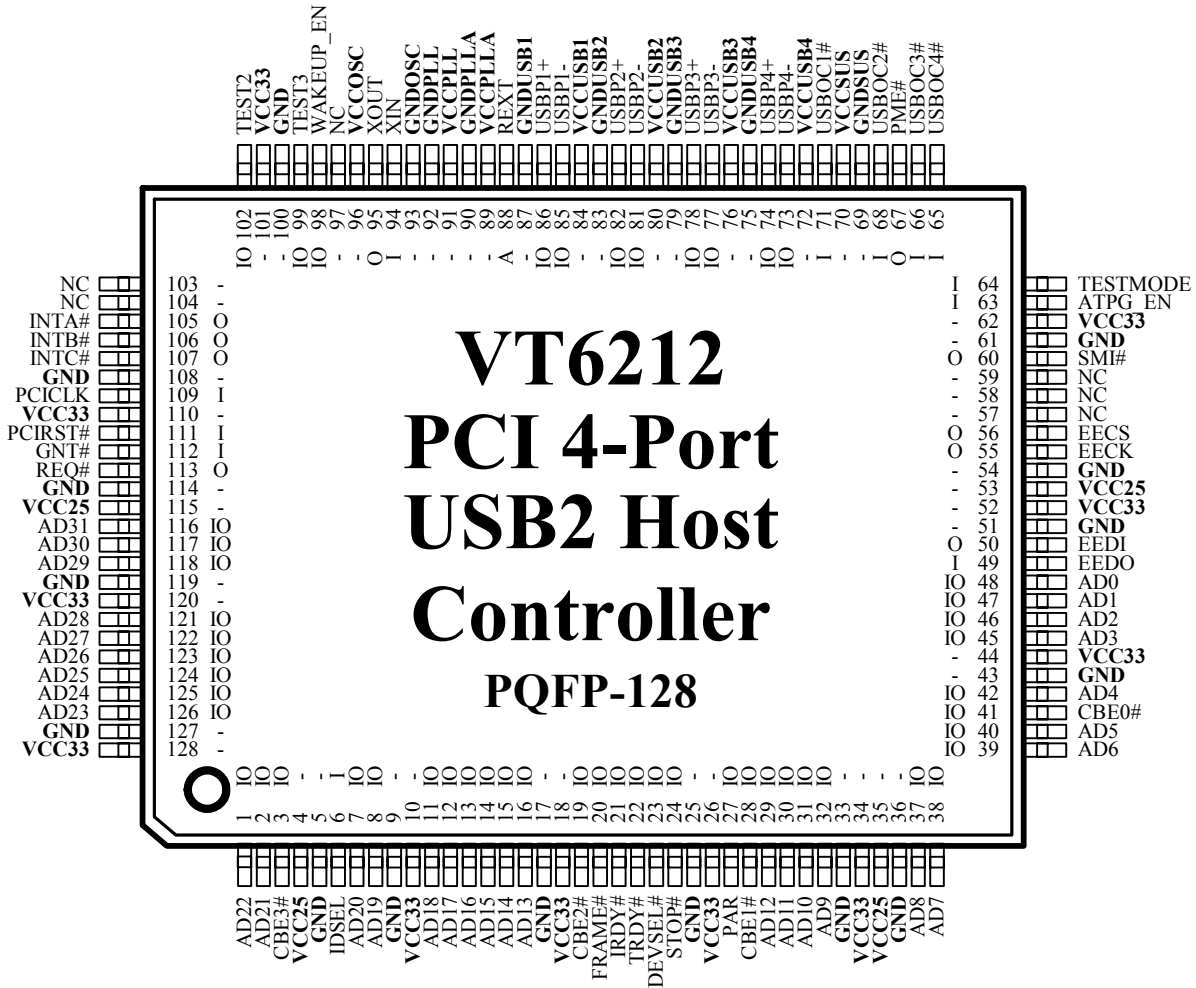


Figure 2. VT6212 (PQFP) / VT6212L (LQFP) Pin Diagram (Top View)

Pin List
Table 1. VT6212 / VT6212L Pin List (Alphabetical Order)

Pin	Typ	PU	Pin Name	Pin	Typ	PU	Pin Name	Pin	Typ	PU	Pin Name	Pin	Typ	PU	Pin Name
48	IO		AD0	63	I	PD	ATPG_EN	93	P		GNDOSC	86	IO		USBP1+
47	IO		AD1	41	IO		CBE0#	92	P		GNDPLL	81	IO		USBP2-
46	IO		AD2	28	IO		CBE1#	90	P		GNDPLLA	82	IO		USBP2+
45	IO		AD3	19	IO		CBE2#	69	P		GNDUSUS	77	IO		USBP3-
42	IO		AD4	3	IO		CBE3#	87	P		GNDUSB1	78	IO		USBP3+
40	IO		AD5	23	IO		DEVSEL#	83	P		GNDUSB2	73	IO		USBP4-
39	IO		AD6	55	O	PD	EECK	79	P		GNDUSB3	74	IO		USBP4+
38	IO		AD7	56	O		EECS	75	P		GNDUSB4	4	P		VCC25
37	IO		AD8	50	O		EEDI	112	I		GNT#	35	P		VCC25
32	IO		AD9	49	I	PU	EEDO	6	I		IDSEL	53	P		VCC25
31	IO		AD10	104	-		NC	105	O		INTA#	115	P		VCC25
30	IO		AD11	103	-		NC	106	O		INTB#	10	P		VCC33
29	IO		AD12	58	-		NC	107	O		INTC#	18	P		VCC33
16	IO		AD13	97	-		NC	21	IO		IRDY#	26	P		VCC33
15	IO		AD14	57	-		NC	27	IO		PAR	34	P		VCC33
14	IO		AD15	59	-		NC	109	P		PCICLK	44	P		VCC33
13	IO		AD16	20	IO		FRAME#	111	I		PCIRST#	52	P		VCC33
12	IO		AD17	5	P		GND	67	O		PME#	62	P		VCC33
11	IO		AD18	9	P		GND	113	O		REQ#	101	P		VCC33
8	IO		AD19	17	P		GND	88	A		REXT	110	P		VCC33
7	IO		AD20	25	P		GND	60	O		SMI#	120	P		VCC33
2	IO		AD21	33	P		GND	24	IO		STOP#	128	P		VCC33
1	IO		AD22	36	P		GND	102	IO		TEST2	96	P		VCCOSC
126	IO		AD23	43	P		GND	99	IO		TEST3	91	P		VCCPLL
125	IO		AD24	51	P		GND	98	IO		WAKEUP_EN	89	P		VCCPLLA
124	IO		AD25	54	P		GND	64	I	PD	TESTMODE	70	P		VCCSUS
123	IO		AD26	61	P		GND	22	IO		TRDY#	84	P		VCCUSB1
122	IO		AD27	100	P		GND	71	I	PU	USBOC1#	80	P		VCCUSB2
121	IO		AD28	108	P		GND	68	I	PU	USBOC2#	76	P		VCCUSB3
118	IO		AD29	114	P		GND	66	I	PU	USBOC3#	72	P		VCCUSB4
117	IO		AD30	119	P		GND	65	I	PU	USBOC4#	94	I		XIN
116	IO		AD31	127	P		GND	85	IO		USBP1-	95	O		XOUT

Pin Descriptions
Table 2. VT6212 / VT6212L Pin Descriptions

PCI Interface				
Signal Name	Pin #	I/O	Power	Signal Description
AD[31:0]	(see pin list)	IO	VCC33	Address and Data. Addresses are passed during the first clock cycle. Data is passed in subsequent cycles.
CBE[3:0]#	3, 19, 28, 41	IO	VCC33	Command / Byte Enables. The command for the current cycle is driven with FRAME# assertion. Byte enables corresponding to supplied or requested data are then driven on following clocks.
PAR	27	IO	VCC33	Parity. A single parity bit is provided over AD[31:0] and CBE[3:0]# to check that the data has been transferred accurately..
IDSEL	6	I	VCC33	Initialization Device Select. Used as a chip select during configuration read and write cycles.
DEVSEL#	23	IO	VCC33	Device Select. As an output, this signal is asserted to claim PCI transactions through positive or subtractive decoding. As an input, DEVSEL# indicates the response to a VT6212-initiated transaction and is also sampled when decoding whether to subtractively decode the cycle.
FRAME#	20	IO	VCC33	Cycle Frame. Assertion indicates the address phase of a PCI transfer. Negation indicates that one more data transfer is desired by the cycle initiator.
STOP#	24	IO	VCC33	PCI Stop. Asserted by the target (the VT6212 / VT6212L chip) to request the master (PCI device) to stop the current transaction.
IRDY#	21	IO	VCC33	Initiator Ready. Asserted when the initiator is ready for data transfer.
TRDY#	22	IO	VCC33	Target Ready. Asserted when the target is ready for data transfer.
PCIRST#	111	I	VCC33	PCI Reset. When detected low, an internal hardware reset is performed. PCIRST# assertion or deassertion may be asynchronous to PCICLK, however, it is recommended that deassertion be synchronous to guarantee a clean and bounce free edge.
PCICLK	109	I	VCC33	PCI Clock. 33 MHz. Used to clock all PCI bus transactions.
INTA#	105	O	VCC33	PCI Interrupt A. Asynchronous signal used to request an interrupt.
INTB#	106	O	VCC33	PCI Interrupt B. Asynchronous signal used to request an interrupt.
INTC#	107	O	VCC33	PCI Interrupt C. Asynchronous signal used to request an interrupt.
REQ#	113	O	VCC33	PCI Bus Request. Asserted by the VT6212 / VT6212L to request bus use.
GNT#	112	I	VCC33	PCI Bus Grant. Asserted by the bus arbiter to grant permission to the VT6212 / VT6212L for access to the PCI bus for bus master operations.

Serial EEPROM Interface				
Signal Name	Pin #	I/O	Power	Signal Description
EECS	56	O	VCC33	EEPROM Chip Select. Connect to EEPROM EECS pin.
EECK	55	O	VCC33	EEPROM Clock. Connect to EEPROM EECK pin.
EEDI	50	O	VCC33	EEPROM Data In. Connect to EEPROM EEDI pin.
EEDO	49	I	VCC33	EEPROM Data Output. Connect to EEPROM EEDO pin.

Chipset South Bridge Interface				
Signal Name	Pin #	I/O	Power	Signal Description
SMI#	60	O	VCC33	System Management Interrupt.
PME#	67	O	VCCSUS	Power Management Event Interrupt.

No Connection				
Signal Name	Pin #	I/O	Power	Signal Description
NC	57-59, 97, 103-104	-		No connection.

USB Ports				
Signal Name	Pin #	I/O	Power	Signal Description
USBP1+	86	IO	VCCUSB1	USB Port 1 Differential Data Plus. Asserted high (> 2.8V) †
USBP1-	85	IO	VCCUSB1	USB Port 1 Differential Data Minus. Asserted low (< 0.3V) †
USBP2+	82	IO	VCCUSB2	USB Port 2 Differential Data Plus. Asserted high (> 2.8V) †
USBP2-	81	IO	VCCUSB2	USB Port 2 Differential Data Minus. Asserted low (< 0.3V) †
USBP3+	78	IO	VCCUSB3	USB Port 3 Differential Data Plus. Asserted high (> 2.8V) †
USBP3-	77	IO	VCCUSB3	USB Port 3 Differential Data Minus. Asserted low (< 0.3V) †
USBP4+	74	IO	VCCUSB4	USB Port 4 Differential Data Plus. Asserted high (> 2.8V) †
USBP4-	73	IO	VCCUSB4	USB Port 4 Differential Data Minus. Asserted low (< 0.3V) †
USBOC1#	71	I	VCCSUS	USB Over-Current Input Port 1. When the supplied current exceeds 500 mA on a USB port, USBOC# should be asserted. If this input is asserted low, the host controller will disable USB port 1. The port will remain disabled as long as the condition persists. See Design Guide and evaluation board schematics for overcurrent detection scheme.
USBOC2#	68	I	VCCSUS	USB Over-Current Input Port 2. Same as above but for port 2.
USBOC3#	66	I	VCCSUS	USB Over-Current Input Port 3. Same as above but for port 2.
USBOC4#	65	I	VCCSUS	USB Over-Current Input Port 4. Same as above but for port 2.
XIN	94	I	VCCOSC	Crystal Input. May be connected to a 24 MHz parallel resonant fundamental mode crystal (see Design Guide for specific connection details).
XOUT	95	O	VCCOSC	Crystal Output. Must be connected to a 24 MHz parallel resonant fundamental mode crystal (see Design Guide for specific connection details).
REXT	88	A	VCCPLL	External Resistor. Typical 6.12kΩ 1% pull down to analog ground (see Design Guide for specific connection details).

† Data encoding is NRZI (Non Return to Zero Inverted) so at times the reverse may be true (i.e., the plus pin may be asserted low and the minus pin asserted high.)

Test Pins and Reserved Pins				
Signal Name	Pin #	I/O	Power	Signal Description
ATPG_EN	63	I	VCC25	Automatic Test Program Generator Enable. Do not connect for normal operation. Internal pulldown.
TESTMODE	64	I	VCC25	Test Mode Enable. Do not connect for normal operation. Internal pulldown.
TEST2	102	IO	VCC25	Test Signal 2. Leave unconnected for normal operation.
TEST3	99	IO	VCC25	Test Signal 3. Pull down 4.7K-ohm for normal operation.
WAKEUP_EN	98	IO	VCC25	WAKEUP_EN. Enable wakeup function

Power and Ground			
Signal Name	Pin #	Power	Signal Description
VCC33	10, 18, 26, 34, 44, 52, 62, 101, 110, 120, 128	Digital I/O	Digital I/O Power. 3.3V ±100mV
VCC25	4, 35, 53, 115	Internal	Internal Logic Power. 2.5V ±5%
GND	5, 9, 17, 25, 33, 36, 43, 51, 54, 61, 100, 108, 114, 119, 127	Ground	Ground. Connect to primary PCB ground plane.
VCCSUS	70	Suspend	Suspend I/O Power. Connect to system 3.3V ±5% suspend power for support of wakeup on USB incoming port activity.
GNDSUS	69	Suspend	Suspend I/O Ground. Connect to analog ground plane (connected to primary PCB ground plane through ferrite beads for isolation from digital switching noise). See Design Guide for details.
VCCUSB[4-1]	72, 76, 80, 84	USB Ports	USB Port Power. Connect to system 3.3V ±5% suspend power for support of wakeup on USB incoming port activity.
GNDUSB[4-1]	75, 79, 83, 87	USB Ports	USB Port 1-4 Analog Ground. Connect to analog ground plane (connected to primary PCB ground plane through ferrite beads for isolation from digital switching noise). See Design Guide for details.
VCCPLL	91	PLL	PLL Digital Power. Connect to quiet 2.5V ±5% power source.
GNDPLL	92	PLL	PLL Digital Ground. Connect to analog ground plane (connected to primary PCB ground plane through ferrite beads for isolation from digital switching noise). See Design Guide for details.
VCCPLLA	89	PLL	PLL Analog Power. Connect to quiet 2.5V ±5% power source.
GNDPLLA	90	PLL	PLL Analog Ground. Connect to analog ground plane (connected to primary PCB ground plane through ferrite beads for isolation from digital switching noise). See Design Guide for details.
VCCOSC	96	OSC	Oscillator Power. Connect to quiet 2.5V ±5% power source.
GNDOSC	93	OSC	Oscillator Analog Ground. Connect to analog ground plane (connected to primary PCB ground plane through ferrite beads for isolation from digital switching noise). See Design Guide for details.

REGISTERS

Register Overview

Register settings are located in different sections of this document corresponding to “functions”. Each section is indicated by the function number and is dedicated to a specific controller function. These are summarized as follows:

- Function 0: Universal Host Controller Interface #1 (UHCI)
- Function 1: Universal Host Controller Interface #2 (UHCI)
- Function 2: Enhanced Host Controller Interface (EHCI)

The tables in this section describe the register settings for the UHCI Host Controllers and the EHCI Host Controller. The registers are listed according to their offset values. The tables show the Access Type (Read/Only, Read/Write, and Read/Write/Clear) and power-on default values (“Default”). All offset values are shown in hexadecimal unless otherwise indicated. Default values for each register are also indicated in hexadecimal notation.

Note: Registers indicated as RW may have some read-only bits that always read back a fixed value (usually 0 if unused); registers assigned as RWC or WC may have some read-only or read-write bits (see individual register descriptions for details).

Register Summary Tables

Function 0-1 UHCI Universal Host Controller Interface

Function 0-1 UHCI PCI Configuration Header

Offset	UHCI PCI Configuration Header	Default	Acc
1-0	Vendor ID	1106	RO
3-2	Device ID	3038	RO
5-4	Command	0000	RW
7-6	Status	0210	WC
8	Revision ID	60	RO
B-9	Class Code	0C 03 00	RO
C	Cache Line Size	00	RW
D	Latency Timer	16	RW
E	Header Type	00	RO
F	BIST	00	RW
10-13	-reserved-	00	-
17-14	CIS Base Addr (Cardbus Mode Only)	0000 0000	RW
18-1F	-reserved-	00	-
23-20	UHCI-Compliant I/O Base Address	0000 0001	RW
24-27	-reserved-	00	-
2B-28	Cardbus CIS Pointer	0000 0053	RO
2F-2C	Subsystem ID / Subsystem Vendor ID	3038 1106	RO
30-33	-reserved-	00	-
34	Power Management Capability	80	RW
35-3B	-reserved-	00	-
3C	Interrupt Line	00	RW
3D	Interrupt Pin PCI:	01, 02	RW
	Cardbus:	01	
3E-3F	-reserved-	00	-

Function 0-1 UHCI Device Specific Registers

Offset	UHCI Device Specific Registers	Default	Acc
40	Miscellaneous Control 1	40	RW
41	Miscellaneous Control 2	10	RW
42	Miscellaneous Control 3	03	RW
43	-reserved-	00	-
44-47	Reserved (Do Not Program)	-	-
48	Miscellaneous Control 5	00	RW
49	Miscellaneous Control 6	0B	RW
4A	-reserved-	00	-
4B	Miscellaneous Control 8	00	RW
4C-5F	-reserved-	00	-
60	Serial Bus Release Number	10	RW
61-7F	-reserved-	00	-
83-80	Power Management Capabilities Rx49[0]=0: 7E0A 0001 Rx49[0]=1: FFC2 0001	7E0A 0001	RO
84	Power Management Capability Status	00, 03	RW
85-BF	-reserved-	00	-
C1-C0	Legacy Support	2000	RW
C2-FF	-reserved-	00	-

Function 0-1 USB UHCI I/O Registers

Offset	UHCI I/O Registers	Default	Acc
1-0	USB Command		
3-2	USB Status		
5-4	USB Interrupt Enable		
7-6	Frame Number		
B-8	Frame List Base Address		
C	Start of Frame Modify		
D-F	-reserved-		
11-10	Port 1 Status / Control		
13-12	Port 2 Status / Control		
14-FF	-reserved-		

Function 2 EHCI Enhanced Host Controller Interface
Function 2 EHCI PCI Configuration Header

Offset	EHCI PCI Configuration Header	Default	Acc
1-0	Vendor ID	1106	RO
3-2	Device ID	3104	RO
5-4	Command	0000	RW
7-6	Status	0210	RW
8	Revision ID	60	RO
B-9	Class Code	0C 03 20	RO
C	Cache Line Size	00	RW
D	Latency Timer	16	RW
E	Header Type	00	RO
F	BIST	00	RO
13-10	Memory Mapped IO Base Address	0000 0000	RW
17-14	CIS Base Addr (Cardbus Mode Only)	0000 0000	RW
18-2A	-reserved-	00	-
2B-28	Cardbus CIS Pointer	0000 00AA	RO
2F-2C	Sub-system and Sub-sys Vendor ID	3104 1106	RO
30-33	-reserved-	00	-
34	Power Management Capability	80	RW
35-3B	-reserved-	00	-
3C	Interrupt Line	00	RO
3D	Interrupt Pin	03	RO
3E-3F	-reserved-	00h	-

Function 2 EHCI Device Specific Registers

Offset	EHCI Device Specific Registers	Default	Acc
40	Miscellaneous Control 1	00	RW
41	Miscellaneous Control 2	00	RW
42	Miscellaneous Control 3	00	RW
43	-reserved-	00	-
44-47	Reserved (Do Not Program)	-	-
48	Miscellaneous Control 4	A0	RW
49	Miscellaneous Control 5	20	RW
4A	MAC Inter-transaction Delay Parameter	00	RO
4B	MAC Turn-around Time Parameter	09	RW
50	Reserved (Do Not Program)	-	-
51	USB 2.0 Timeout RX Parameter	5A	RW
52-59	Reserved (Do Not Program)	-	-
5B-5A	Hi-Speed Port Pad Termination Resistor Fine Tune	4444	RW
5C	Reserved (Do Not Program)	-	-
5D-5F	-reserved-	00	-
60	Serial Bus Release Number		RO
61	Frame Length Adjust		RW
63-62	Port Wake Capability		RW
64-67	-reserved-	00	-
6B-68	USB Legacy Support Extd Capability	0000 0001	RW
6F-6C	USB Legacy Support Control / Status	0000 0000	RW
71-70	SRAM Direct Access Address	0000	RW
72	-reserved-	00	-
73	SRAM Direct Access Control	00	RW
77-74	SRAM Direct Access Data	0000 0000	RW
78-7F	-reserved-	00	-
83-80	Power Management Capabilities Rx49[1]=0: 7E0A 0001 Rx49[1]=1: FFC2 0001		RO
84	Power Management Capability Status		RW
85-FF	-reserved-	00	-

Function 2 USB EHCI Memory-Mapped I/O Registers
EHCI Memory Mapped I/O Capability Registers

Offset	EHCI Capability Registers	Default	Acc
0	Capability Register Length	10	RW
1	-reserved-	00	-
3-2	Interface Version Number	0100	RW
7-4	Structure Parameters	0000 2204	RW
B-8	Capability Parameters	0000 6872	RW
C-F	-reserved-	00	-

EHCI Memory Mapped I/O Operational Registers

Offset	EHCI Operational Registers	Default	Acc
13-10	USB Command		
17-14	USB Status		
1B-18	USB Interrupt Enable		
1F-1C	USB Frame Index		
23-20	4G Segment Selector		
27-24	Frame List Base Address		
2B-28	Next Asynchronous List Address		
2C-4F	Reserved		
53-50	Configured Flag		
57-54	Port 1 Status / Control		
5B-58	Port 2 Status / Control		
5F-5C	Port 3 Status / Control		
63-60	Port 4 Status / Control		
64-FF	-reserved-		

Register Descriptions

Function 0-1 UHCI Universal Host Controller Interface

The VT6212 / VT6212L contains two USB host controllers, which are controlled by functions 0 and 1 respectively. Register definitions for both controllers are identical, except where noted. Function 0 and function 1 registers conform to the UHCI (Universal Host Controller Interface) Specification.

There are two sets of registers: PCI configuration space registers (located in functions 0 and 1) and USB I/O registers (located in system I/O space at offsets from the address stored in the Base Address Register).

Function 0-1 Configuration Space Header

Offset 1-0 - Vendor ID (1106h)RO

15-0 Vendor ID 1106h = VIA Technologies

Offset 3-2 - Device ID (3038h).....RO

15-0 Device IDreads 3038h to identify the VT6212

Offset 5-4 – Command Register (0000h).....RW

- 15-8 Reserved always reads 0
- 7 Address Stepping
 - 0 Disable default
 - 1 Enable
- 6-5 Reserved always reads 0
- 4 Memory Write and Invalidate
 - 0 Disable default
 - 1 Enable
- 3 Special Cycle fixed at 0
- 2 Bus Master
 - 0 Disable default
 - 1 Enable
- 1 Memory Space
 - 0 Disable default
 - 1 Enable
- 0 I/O Space
 - 0 Disable default
 - 1 Enable

Offset 7-6 – Status Register (0210h)..... RW

- 15 Reserved always reads 0
- 14 Signaled System Error always reads 0
- 13 Received Master Abort..... RWC
Set by the VT6212 interface logic if it generates a master abort while acting as a master..... default = 0
- 12 Received Target Abort..... RWC
Set by the VT6212 interface logic if it receives a target abort while acting as a master default = 0
- 11 Signaled Target Abort
- 10-9 DEVSEL# Timing
 - 00 Fast
 - 01 Medium fixed
 - 10 Slow
 - 11 Reserved
- 8-5 Reserved always reads 0
- 4 Power Management Interrupt always reads 1
- 3-0 Reserved always reads 0

Offset 8 - Revision ID (60h) RO

Offset B-9 - Class Code (0C 03 00h)..... RO

23-0 Class Code fixed value indicates USB 1.1 Controller

Offset C - Cache Line Size (00h) RW

Offset D - Latency Timer (16h) RW

Offset E - Header Type (00h)..... RO

Offset F - BIST (00h)..... RO

Offset 17-14 - CIS Base Addr – Cardbus Mode Only ... RW

- 31-8 Correspond to AD [31:8] default = 0
- 7-0 Reserved always reads 0

Offset 23-20 – Base Address for UHCI 1.1 Compliant USB I/O RW

- 31-16 Reserved always reads 0
- 15-5 Port Base Address for USB IO Registers
Corresponding to AD[15:5].....
- 4-0 Fixed always reads 00001b

Offset 2B-28 – Cardbus CIS Pointer RO

- 31-8 Reserved always reads 0
- 7-3 Cardbus CIS Pointer fixed at 50h
- 2-0 Second Base Address fixed at 3'b010

Offset 2F-2C – Subsystem ID / Subsystem Vendor ID.. RO

- 24-0 Subsystem ID / Subsystem Vendor ID
Rx42[4] = 0 fixed at 30381106h

Offset 34 - Power Management Capability (80h) RO

Offset 3C - Interrupt Line (00h)..... RO

Offset 3D - Interrupt Pin (01h, 02h)..... RO

Function 0-1 Device Specific Registers

Offset 40 - Miscellaneous Control 1 (40h).....RW

- 7 PCI Memory Command Option**
 - 0 Support “Memory Read Line”, “Memory Read Multiple”, and “Memory Write and Invalidate” commands.....default
 - 1 Support only “Memory Read” and “Memory Write” commands
- 6 Babble Option**
 - 0 Auto-disable babbled port on EOF
 - 1 Keep babbled port enabled.....default
- 5 PCI Parity Check**
 - 0 Disabledefault
 - 1 Enable
- 4 Reserved (Do Not Program) default = 0**
- 3 USB Data Length Option**
 - 0 Support transmit data length up to 1280def
 - 1 Support transmit data length up to 1023
- 2 Improve FIFO Latency for packets less than 64B**
 - 0 Enabledefault
 - 1 Disable
- 1 DMA Options**
 - 0 8DW burst access with better FIFO latency def
 - 1 16DW burst access (original performance level)
- 0 PCI Wait State**
 - 0 Zero Wait States.....default
 - 1 One Wait State

Offset 41 - Miscellaneous Control 2 (10h).....RW

- 7-5 Reserved (Do Not Program) default = 0**
- 4 Hold PCI REQ_ for successive access**
 - 0 Disable
 - 1 Enable
- 3 Reserved (Do Not Program) default = 0**
- 2 Trap Option**
 - 0 Set trap 60/64 status bits without checking enable bitsdefault
 - 1 Set trap 60/64 status bits only when trap 60/64 enable bits are set
- 1 A20Gate Pass Through Option**
 - 0 Pass through A20Gate command sequence .def
 - 1 Do not pass through write I/O port 64
- 0 Reserved (Do Not Program) default = 0**

Offset 42 - Miscellaneous Control 3 (03h)..... RW

- 7-2 Reserved (Do Not Program)..... default = 0**
- 1-0 Release continuous REQ_ after N PCICLKs (feature controlled by Function 0’s register)**
 - 00 Do not release
 - 01~11 Number X 32 PCICLKs

Offset 48 - Miscellaneous Control 5 (00h)..... RW

- 7-6 Reserved (Do Not Program)..... default = 0**
- 5 Enable enhanced PCI read command generation in reading descriptors**
 - 0 Enable..... def
 - 1 Disable
- 4-0 Reserved (Do Not Program)..... default = 0**

Offset 49 - Miscellaneous Control 6 (0Bh)..... RW

- 7-2 Reserved (Do Not Program)..... default = 0**
- 1 EHCI Supports PME# Assertion in D3cold State**
 - 0 Not support
 - 1 Supported default
- 0 UHCI Supports PME# Assertion in D3cold State**
 - 0 No Support
 - 1 Supported default

Offset 4B - Miscellaneous Control 8 (00h)..... RW

- 7-1 Reserved default = 0**
- 0 Cardbus mode select (strapped via EESK)**
 - 0 PCI mode
 - 1 Cardbus mode

Offset 60 - Serial Bus Release Number (10h)..... RO

Offset 83-80 - Power Management Capabilities RO

- 24-0 Power Management Capabilities**
 - Rx49[0] = 0 fixed at 00 02 00 01h
 - Rx49[0] = 1 fixed at C9 C2 00 01h

Offset 84 - Power Mgmt Capability Status (00h or 03h) RW

Offset C1-C0 - UHCI 1.1 Legacy Support (2000h)..... RW

Function 0-1 UHCI Compliant USB I/O Registers

The USB I/O registers are compliant with the UHCI v1.1 standard. For more details of the register configurations, refer to the relevant documentation for the UHCI V1.1 standard.

I/O Offset 1-0 - USB Command

I/O Offset 3-2 - USB Status

I/O Offset 5-4 - USB Interrupt Enable

I/O Offset 7-6 - Frame Number

I/O Offset B-8 - Frame List Base Address

I/O Offset 0C - Start of Frame Modify

I/O Offset 11-10 - Port 1 Status / Control

I/O Offset 13-12 - Port 2 Status / Control

Function 2 EHCI Enhanced Host Controller Interface

In addition to the UHCI host controllers at functions 0 and 1, the VT6212 / VT6212L also contains another USB host controller, which conforms to the EHCI (Enhanced Host Controller Interface) Specification.

There are two sets of registers: PCI configuration space registers (located in function 2) and USB Memory Mapped I/O registers, (located in system memory at offsets from the address stored in the Base Address Register).

Function 2 Configuration Space Header

Offset 1-0 - Vendor ID (1106h) RO

7-0 Vendor ID 1106h = VIA Technologies

Offset 3-2 - Device ID (3104h).....RO

7-0 Device ID3104h = EHCI controller

Offset 5-4 – Command (0000h).....RW

- 15-8 Reserved always reads 0
- 7 Address Stepping
 - 0 Disabledefault
 - 1 Enable
- 6-5 Reservedfixed at 0 (disabled)
- 4 Memory Write and Invalidate
 - 0 Disabledefault
 - 1 Enable
- 3 Special Cyclefixed at 0
- 2 Bus Master
 - 0 Disabledefault
 - 1 Enable
- 1 Memory Space
 - 0 Disabledefault
 - 1 Enable
- 0 I/O Space
 - 0 Disabledefault
 - 1 Enable

Offset 7-6 – Status (0210h)..... RW

- 15 Reservedalways reads 0
- 14 Signaled System Error default = 0
- 13 Received Master Abort default = 0
- 12 Received Target Abort default = 0
- 11 Signaled Target Abort default = 0
- 10-9 DEVS EL# Timing
 - 00 Fast
 - 01 Medium fixed
 - 10 Slow
 - 11 Reserved
- 8-5 Reservedalways reads 0
- 4 Power Management Interrupt always reads 1
- 3-0 Reservedalways reads 0

Offset 8 - Revision ID (60h) RO

Offset B-9 - Class Code (0C0320=EHCI Host Controller) RO

23-0 Fixed value of class code indicates USB2.0 EHCI Host Controller

Offset C - Cache Line Size (00h) RW

Offset D - Latency Timer: (16h)..... RW

Offset E - Header Type (00h)..... RO

Offset F - BIST (00h)..... RO

Offset 13-10 – EHCI 0.95 Memory Mapped I/O Base .. RW

- 31-8 I/O Base Address for EHCI 0.95 USB Memory Mapped I/O Registers default = 0 (these bits correspond to AD[31:8])
- 7-3 Reservedalways reads 0
- 2-1 Fixed fixed at 00h (32-bit addressing only)
- 0 Reservedalways reads 0

Offset 17-14 - CIS Base Addr – Cardbus Mode Only ... RW

- 31-8 Correspond to AD [31:8] default = 0
- 7-0 Reservedalways reads 0

Offset 2B-28 – Cardbus CIS Pointer (AAh)..... RO

- 31-8 Reservedalways reads 0
- 7-3 Cardbus CIS Pointer fixed at A8h
- 2-0 Second Base Address fixed at 3'b010

Offset 34 – Power Management Capability (80h)..... RO

Offset 3C - Interrupt Line (00h)..... RO

Offset 3D - Interrupt Pin (03h)..... RO

Function 2 Device-Specific Registers

Offset 40 - Miscellaneous Control 1 (00h).....RW

- 7 PCI Memory Command Option**
 - 0 Support “Memory Read Line”, “Memory Read Multiple”, and “Memory Write and Invalidate” commands.....default
 - 1 Only supports “Memory Read” and “Memory Write” commands
- 6 Babble Option**
 - 0 Auto-disable babbled port when EOF ...default
 - 1 Keep babbled port enabled
- 5 PCI Parity Check**
 - 0 Disabledefault
 - 1 Enable
- 4 Reserved (Do Not Program) default = 0**
- 3-2 Reserved always reads 0**
- 1 DMA Options**
 - 0 8DW burst access.....default
 - 1 16DW burst access
- 0 PCI Wait States**
 - 0 Zero Wait States.....default
 - 1 One Wait State

Offset 41 - Miscellaneous Control 2 (00h).....RW

- 7-5 Reserved always reads 0**
- 4 Hold PCI REQ_ for successive access**
 - 0 Disable
 - 1 Enable
- 3-0 Reserved always reads 0**

Offset 42 - Miscellaneous Control 3 (00h).....RW

- 7-5 Reserved always reads 0**
- 4 Sub-system and sub-system Vendor ID R/W**
 - 0 Disabledefault
 - 1 Enable
- 3-0 Reserved always reads 0**

Offset 48 - Miscellaneous Control 4 (A0h).....RW

- 7-6 Reserved always reads 0**
- 5 Disable PCI burst access**
 - 0 Burst enabledefault
 - 1 Burst disable
- 4-0 Reserved always reads 0**

Offset 49 - Miscellaneous Control 5 (20h)..... RW

- 7 Enable MAC (provides more delay between transactions)**
 - 0 Disable..... default
 - 1 Enable
- 6 Enable MAC (provides timeout to device when error is detected)**
 - 0 Disable..... default
 - 1 Enable
- 5 Clock Auto Stop**
 - 0 Disable, no stop
 - 1 Enable, auto stop default
- 4-0 Reserved always reads 0**

Offset 4A - MAC inter-transaction delay parameter (00h)RO

Offset 4B - MAC turn around time parameter (09h).... RW

- 7-6 Reserved always reads 0**
- 5 EHCI sleep time select**
 - 0 1 μ s default
 - 1 10 μ s
- 4 Reserved always reads 0**
- 3-0 USB 2.0 MAC TX time parameter default = 9**

Offset 51 - USB 2.0 Timeout RX Parameter (5Ah) RW

Offset 5B 5A - High-Speed Port Pad Termination Resistor

Fine Tune (4444h)..... RW

- 15-12 Control A[3:0] default = 4h**
- 11-8 Control B[3:0]..... default = 4h**
- 7-4 Control C[3:0] default = 4h**
- 3-0 Control D[3:0] default = 4h**

Offset 60 - Serial Bus Number (20h = USB 2.0)..... RO

Offset 61- Frame Length Adjust (20h) RW

Offset 63-62 - Port Wake Capability (0001h)..... RW

Offset 83-80 - Power Management Capability..... RO

- Function 0 49[1] = 0: fixed at C9 C2 00 01h
- Function 0 49[1] = 1: fixed at 48 0A 00 01h

Offset 84 - Power Mgmt Capability Status (00h or 03h) RW

Function 2 EHCI Compliant USB Memory-Mapped I/O

Registers

The USB Memory Mapped I/O registers are compliant with the EHCI standard. For more details of the register configurations, refer to the relevant documentation for the EHCI standard.

EHCI Capability Registers

Offset 0 - Capability Register Length (10h).....RW

Offset 3-2 - Interface Version Number (0100h).....RW

Offset 7-4 - Structure Parameters (00002204h).....RW

Offset B-8 - Capability Parameters (00006872h)RW

EHCI Operational Registers

Offset 13-10 - USB Command.....RW

Offset 17-14 - USB Status.....RW

Offset 1B-18 - USB Interrupt Enable.....RW

Offset 1F-1C - USB Frame IndexRW

Offset 23-20 - 4G Segment Select.....RW

Offset 27-24 - Frame List Base Address.....RW

Offset 2B-28 - Next Asynchronous List Address.....RW

Offset 53-50 - Configured FlagRW

Offset 57-54 - Port 1 Status / Control.....RW

Offset 5B-58 - Port 2 Status / ControlRW

Offset 5F-5C - Port 3 Status / ControlRW

Offset 63-60 - Port 4 Status / Control.....RW

ELECTRICAL SPECIFICATIONS

Table 3. Absolute Maximum Ratings

Symbol	Parameter	Min	Max	Unit	Comment
T _{STG}	Storage temperature	-55	125	°C	
T _C	Case operating temperature	0	85	°C	
V _{CC}	Power supply voltages	-0.5	4.0	V	
V _I	Input voltage	-0.5	5.5	V	
V _O	Output voltage at any output	-0.5	V _{CC} + 0.5	V	
V _{ESD}	Electrostatic discharge		2	kV	Human Body Model

Note: Stress above the conditions listed may cause permanent damage to the device. Functional operation of this device should be restricted to the conditions described under operating conditions.

Table 4. DC Characteristics

T_C = 0-55°C, V_{CCPCI} = V_{CCSUS} = V_{CCUSB_N} = 3.3V±5%, V_{CC25} = V_{CCOSC} = V_{CCPLL} = V_{CCPLLA} = 2.5V±5%, GND = 0V

Symbol	Parameter	Min	Max	Unit	Condition
V _{IL}	Input Low Voltage	-0.50	0.8	V	
V _{IH}	Input High Voltage	2.0	V _{CC} +0.5	V	
V _{OL}	Output Low Voltage	-	0.45	V	I _{OL} =4.0mA
V _{OH}	Output High Voltage	2.4	-	V	I _{OH} =-1.0mA
I _{IL}	Input Leakage Current	-	+/-10	μA	0<V _{IN} <V _{CC}
I _{OZ}	Tristate Leakage Current	-	+/-20	μA	0.45<V _{OUT} <V _{CC}

Table 5. Power Specifications
 $T_C = 0-55^{\circ}\text{C}$, $V_{CC33} = V_{CCSUS} = V_{CCUSB} = 3.3\text{V} \pm 5\%$, $V_{CC25} = V_{CCOSC} = V_{CCPLL} = V_{CCPLLA} = 2.5\text{V} \pm 5\%$, $\text{GND} = 0\text{V}$

Symbol	Parameter	Typ	Max	Unit	Condition
$I_{CC25-PD}$	Power Supply Current – 2.5V	1.1		mA	Power down or suspend
$I_{CC33-PD}$	Power Supply Current – 3.3V	5.4		mA	Power down or suspend
I_{CC25}	Power Supply Current – VCC25 (2.5V)	38		mA	Idle with no port activity
I_{CC33}	Power Supply Current – VCC33 (3.3V)	89		mA	Idle with no port activity
I_{CC25A}	Power Supply Current – Analog (2.5V)†	60		mA	Idle with no port activity
I_{CC0USB}	Power Supply Current – USB (3.3V)‡	47		mA	Idle with no port activity
I_{CC1USB}	Power Supply Current – USB (3.3V)‡	105		mA	One port transmitting
I_{CC2USB}	Power Supply Current – USB (3.3V)‡	160		mA	Two ports transmitting
I_{CC3USB}	Power Supply Current – USB (3.3V)‡	211		mA	Three ports transmitting
I_{CC4USB}	Power Supply Current – USB (3.3V)‡	263		mA	Four ports transmitting
P_{D-PD}	Overall Chip Power Dissipation	18		mW	Power down or suspend
P_{D-IDLE}	Overall Chip Power Dissipation	672		mW	Idle with no port activity
P_{D-4USB}	Overall Chip Power Dissipation	1312		mW	Four ports transmitting

†“Analog 2.5V” power includes VCCPLL, VCCPLLA, and VCCOSC

‡“USB 3.3V” power includes VCCUSB and VCCSUS

PACKAGE MECHANICAL SPECIFICATIONS

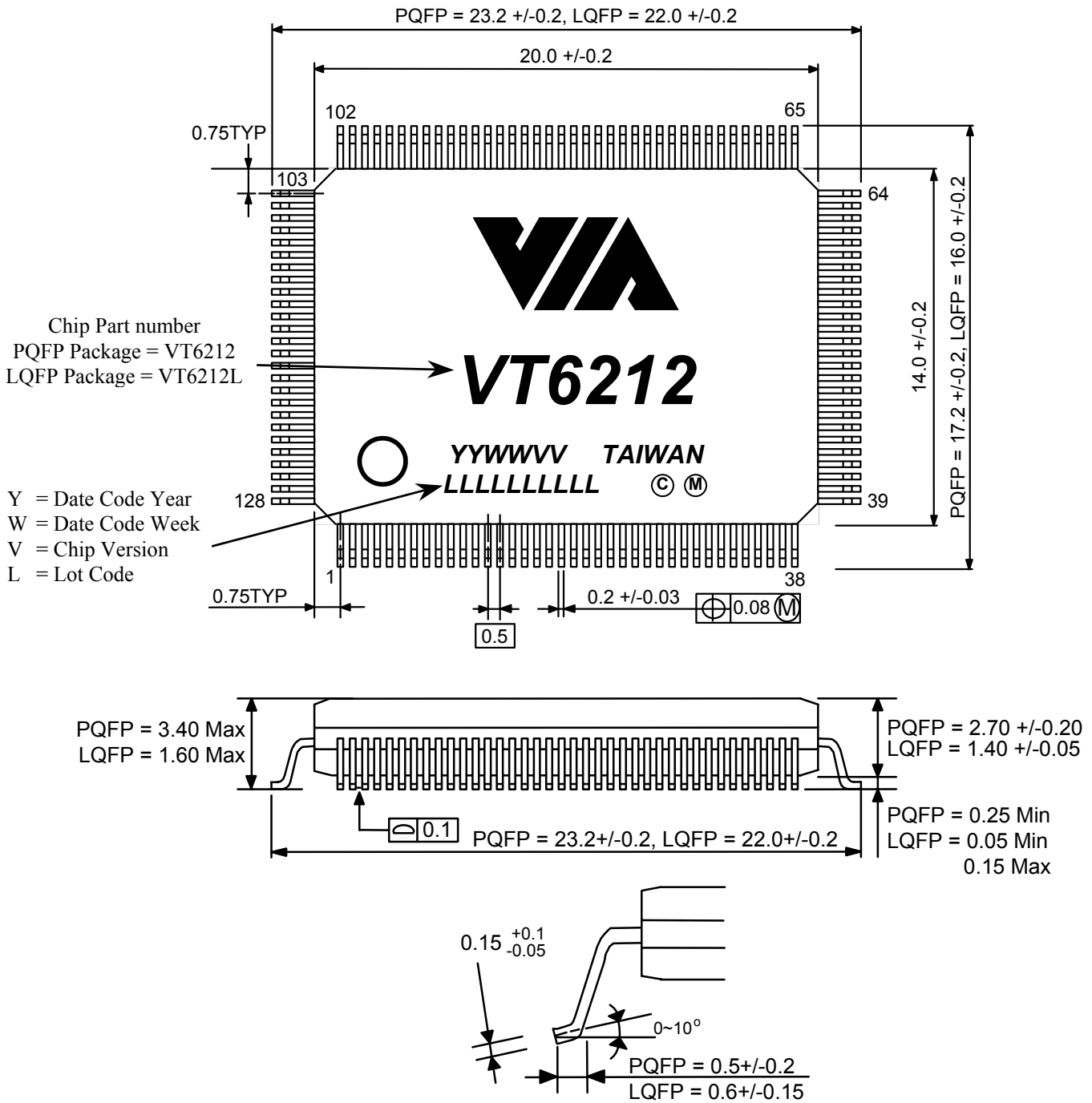


Figure 3. Mechanical Specifications – 128 Pin PQFP (VT6212) / LQFP (VT6212L) Package

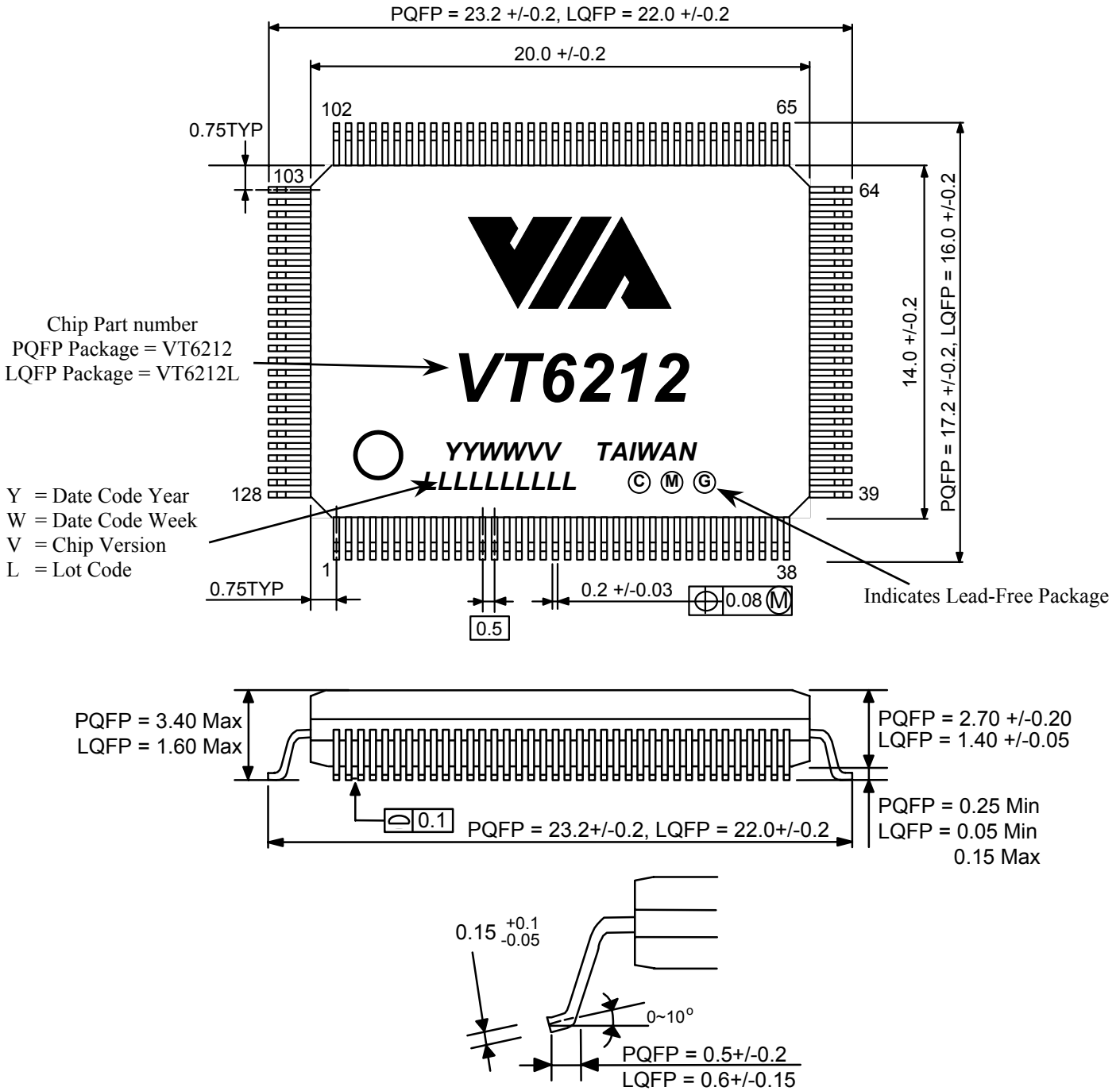


Figure 4. Lead-free Mechanical Specifications – 128 Pin PQFP (VT6212) / LQFP (VT6212L) Package