

Interface Circuits for TIA/EIA-232-F

Design Notes

IMPORTANT NOTICE

Texas Instruments Incorporated and its subsidiaries (TI) reserve the right to make corrections, modifications, enhancements, improvements, and other changes to its products and services at any time and to discontinue any product or service without notice. Customers should obtain the latest relevant information before placing orders and should verify that such information is current and complete. All products are sold subject to TI's terms and conditions of sale supplied at the time of order acknowledgment.

TI warrants performance of its hardware products to the specifications applicable at the time of sale in accordance with TI's standard warranty. Testing and other quality control techniques are used to the extent TI deems necessary to support this warranty. Except where mandated by government requirements, testing of all parameters of each product is not necessarily performed.

TI assumes no liability for applications assistance or customer product design. Customers are responsible for their products and applications using TI components. To minimize the risks associated with customer products and applications, customers should provide adequate design and operating safeguards.

TI does not warrant or represent that any license, either express or implied, is granted under any TI patent right, copyright, mask work right, or other TI intellectual property right relating to any combination, machine, or process in which TI products or services are used. Information published by TI regarding third-party products or services does not constitute a license from TI to use such products or services or a warranty or endorsement thereof. Use of such information may require a license from a third party under the patents or other intellectual property of the third party, or a license from TI under the patents or other intellectual property of TI.

Reproduction of information in TI data books or data sheets is permissible only if reproduction is without alteration and is accompanied by all associated warranties, conditions, limitations, and notices. Reproduction of this information with alteration is an unfair and deceptive business practice. TI is not responsible or liable for such altered documentation.

Resale of TI products or services with statements different from or beyond the parameters stated by TI for that product or service voids all express and any implied warranties for the associated TI product or service and is an unfair and deceptive business practice. TI is not responsible or liable for any such statements.

Mailing Address:

Texas Instruments
Post Office Box 655303
Dallas, Texas 75265

Contents

General Information	1
TIA/EIA-232-F Industry Standard for Data Transmission	1
TIA/EIA-232-F Specification	3
TIA/EIA-232-F Electrical Specification	4
Calculating Maximum Line Length	6
The DB9S Connector	7
Optimized PC Interface Devices	9
SN75C185 Power Considerations	10
Interface Power-Consumption Calculations	10
SN75LP185A and SN75LPE185 High-Speed, Low-Power Devices	13
On-Chip Slew-Rate Limiting	16
Internal Noise Filtering	16

List of Figures

1 TIA/EIA-232-F Industry Standard for Data Transmission	2
2 232 Transition Time vs Data Rate	3
3 TIA/EIA-232-F Electrical Specification	4
4 TIA/EIA-232-F Driver Output Current vs C_L	5
5 Calculating Line Length and Data Rate	7
6 232 DB9S Interface	7
7 232 Null Modem	9
8 The SN75C185 Used as an Optimized PC Interface	9
9 Power-Supply Considerations	10
10 SN75LP185A Data Signaling-Rate Performance	15

Interface Circuits for TIA/EIA-232-F

ABSTRACT

This design note provides information concerning the designing of TIA/EIA-232-F interface circuits. The TIA/EIA-232-F standard is covered including the electrical specification, maximum cable lengths, and the DB9S connector. The section titled *Optimizing PC Interface Devices* discusses the following topics: SN75C185 power considerations, interface power-consumption calculations, the SN75LP1185 and SN75LPE185 devices, on-chip slew rate limiting, and internal noise filtering.

General Information

This document on ANSI Electronic Industries Association/Telecommunication Industry Association TIA/EIA-232-F and ITU V.28 (generally referred to as 232), discusses the electrical aspects of the standard, i.e., the physical layer. However, the products under discussion in this document are specifically applicable to the 9-pin DB9S Personal Computer Data Terminal Equipment (DTE) serial interface, which is, effectively, a subset of the full 232 standard. As a semiconductor manufacturer, TI finds that the majority of 232 applications are moving to this interface. Due to the nature of the signals (five receive and three transmit lines), the older established 232 products no longer provide an optimum solution. This interface is now driving the need for single-chip 232 solutions. Desirable features such as single-supply operation, higher data-signaling rates, voltage-clamped outputs, increased ESD protection, and power-down modes have become essential in today's interface. In the latter half of this document, we discuss the DB9S interface and TI products designed specifically for this application.

Looking at the DB9 interface one step back into the digital system, there is, in most cases, a universal asynchronous receiver/transmitter (UART) or asynchronous communication element (ACE). The ACE provides the parallel-to-serial conversion and the necessary start/stop bits, parity-bit generation, and checking for error-free data transmission. TI manufactures a number of ACEs, such as the TL16C552. This integrates two serial ports with FIFO buffers together with a PC parallel port.

TIA/EIA-232-F Industry Standard for Data Transmission

The EIA introduced the 232 standard in 1962 in an effort to standardize the interface between DTE and Data Communication Equipment (DCE). The DTE comprises the data source, data link, or both. The DCE provides the functions to establish, maintain, and terminate a connection, and to code/decode the signals between the DTE and the data channel. Although emphasis then was placed on interfacing between a modem unit and DTE, other applications were quick to adopt the 232 standard. The growing use of the personal computer (PC) quickly ensured that 232 became the industry standard for all low-cost serial interfaces between the DTE and peripheral. The mouse, plotter, printer, scanner, digitizer, and tracker ball, in addition to the external modems and test equipment, are all examples of peripherals that connect to a 232 port (see Figure 1). Using a common standard allows widespread compatibility, plus a reliable method for interconnecting a PC to peripheral functions.

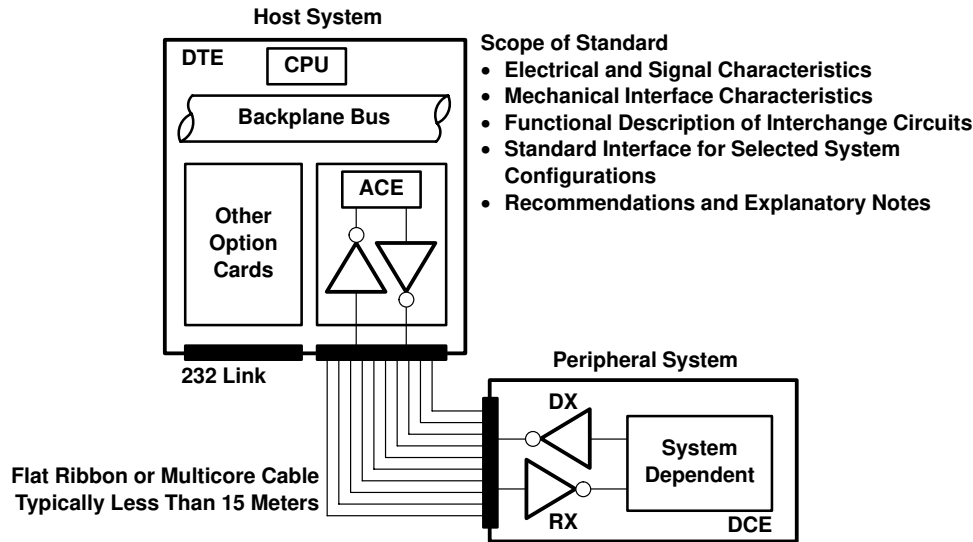


Figure 1. TIA/EIA-232-F Industry Standard for Data Transmission

The EIA RS-232-C standard, revised in 1969, was superseded by EIA-232-D (1986). The EIA-232-D again was superseded by TIA/EIA-232-E, which brings it in line with ITU V.24, and V.28 and ISO IS2110. This revision includes an update on the rise-time to unit-interval ratio and reverses the changes made by the D revision (see Figure 2). Although an older standard with problems such as high noise susceptibility, low data rates, and very limited transmission length, 232 fulfills a vital need as a low-cost communication system. Consequently, new products are being developed at a faster rate than ever. The most recent revision is the TIA/EIA-232-F, which does not have any technical changes that will create compatibility problems with equipment conforming to previous revisions of TIA/EIA-232. This latest version brings it in line once again with international standards ITU-T V.24, V.28, and ISO/IEC 2110.

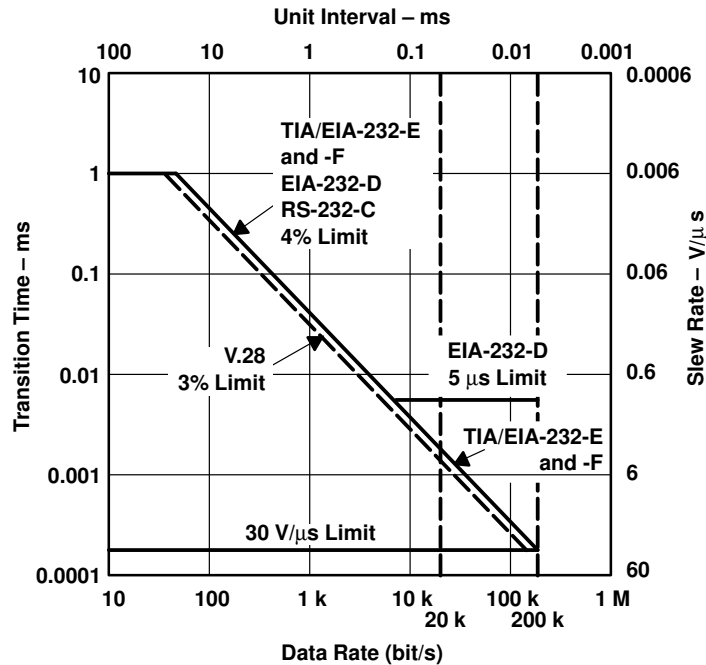


Figure 2. 232 Transition Time vs Data Rate

TIA/EIA-232-F Specification

The standard ensures:

- Compatible voltage and signal levels
- Common pin-wiring configurations
- Minimum amount of control information between the DTE and DCE

It accomplishes these features by incorporating the following areas in the standard:

- **Electrical and Signal Characteristics** – Electrical and signal characteristics of the transmitted data in terms of signal voltage levels, impedances, and rates of change (see Figure 3).
- **Mechanical Interface Characteristics** – Mechanical interface characteristics defined as a 25-pin D-type connector with dimensions and pin assignments specified in the standard. Although the standard only specifies a 25-pin D-type connector, most laptop and desktop PCs today use a 9-pin DB9S connector (see *The DB9S Connector* section of this document). The DCE equipment connector is male for the connector housing and female for the connection pins. Likewise, the DTE connector is a female housing with male connection pins.
- **Handshake Information** – A functional description of the interchange circuit enables a fully interlocked handshake exchange of data between equipment at opposite ends of the communication channel. However, V.24 defines many more signal functions than 232, but those that are common are compatible. Twenty-two of the 25 connector pins have designated functions, although few, if any, practical implementations use all of them. The most commonly used signals also are shown in *The DB9S Connector* section of this document.

It is worth noting that, for applications that use the 25-pin D-type connector, often there is a problem in communication due to different handshaking signals being employed by each system.

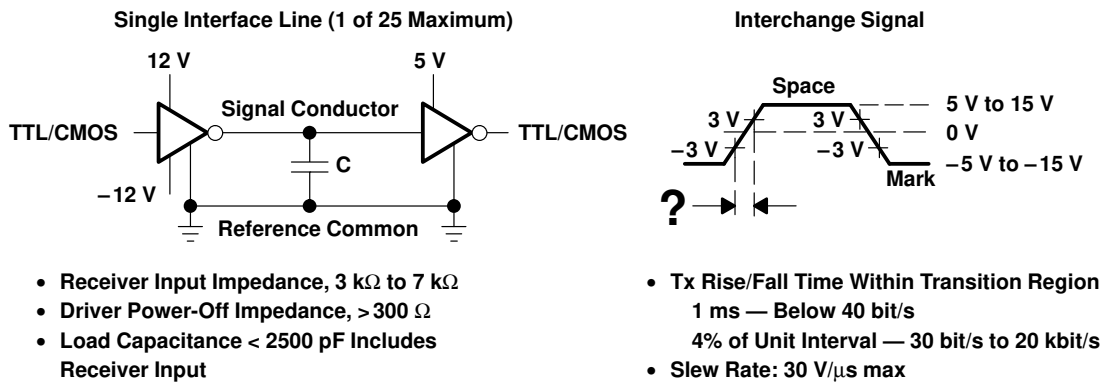


Figure 3. TIA/EIA-232-F Electrical Specification

TIA/EIA-232-F Electrical Specification

All 232 circuits carry voltage signals, with the voltage at the connector pins not to exceed ± 25 V. All pins must be able to withstand a short circuit to any other pin without sustaining permanent damage. Each line should have a minimum load of 3 k Ω and a maximum load of 7 k Ω , which usually is part of the receiver circuit. A logic 0 is represented by a driven voltage between 5 V and 15 V and a logic 1 of between -5 V and -15 V. At the receiving end, a voltage between 3 V and 15 V represents a 0 and a voltage of between -3 V and -15 V represents a 1. Voltages between ± 3 V are undefined and lie in the transition region. This effectively gives a 2-V minimum noise margin at the receiver.

The maximum cable length originally was defined in RS-232-C as 15 meters; however, this has been revised in EIA-232-D and TIA/EIA-232-E and is now specified more correctly as a maximum capacitive load of 2500 pF. This equates to about 15 to 20 meters of line length, depending on cable capacitance.

As mentioned previously, 232 specifies a maximum slew rate of the signal at the output of the driver to be 30 V/ μ s. This limitation is concerned with the problem of crosstalk between conductors in a multiconductor cable. The faster the transition edge, the greater the amount of crosstalk. This restriction, together with the fact that the drivers and receivers use a common signal ground and the associated noise introduced by the ground current, severely limits the maximum data throughput.

For this reason, the 232 standard specifies a maximum data rate of 20 kbit/s. The standard also specifies the relationship between unit interval and rise time through the transition region (3 V to -3 V) or t_t . This is the main difference between the D and the E revision. This is shown more clearly in Figure 2. EIA-232-D, with a data rate of up to 8 kbit/s, specifies the relationship between transition time and unit interval or bit time, t_b , to be 4% of the maximum data rate. Above 8 kbit/s, the transition time is relaxed to a 5- μ s maximum, independent of the data rate. Both the C and the E revision specify the ratio of t_t/t_b to be 4% all the way up to 20 kbit/s.

One can extrapolate this further using the 4% figure. With the maximum slew rate of 30 V/μs, the maximum achievable data rate is 200 kbit/s; however, in practice, this is limited to around 120 kbit/s. A number of software programs operate at transfer rates of 116 kbit/s. Furthermore, over longer line lengths, the maximum drive current of the line driver becomes the dominant feature affecting data rate, displacing the 30-V/μs slew rate. As the line length increases, the load capacitance also increases, requiring more current to maintain the same transition time.

The curves shown in Figure 4 indicate the drive current required to maintain the 4% relationship at different data rates. In today's low-power systems, this level of output current is not sustainable at above approximately 20 kbit/s. In practice, the line length usually is limited to around 3 meters for the higher data rates. Most drivers can handle the higher transmission rates over this line length without seriously compromising supply current. Also shown is the 256-kbit/s curve, at which data rate the 30-V/μs limit is exceeded. As stated earlier, the need for high data rates (>200 kbit/s) is widespread throughout the industry.

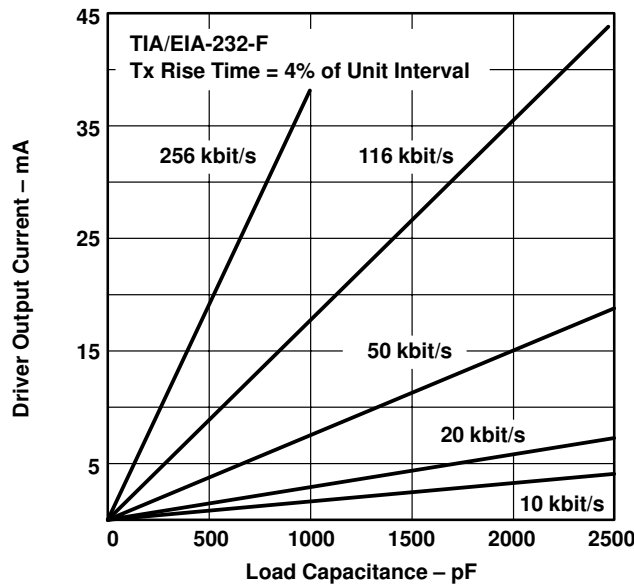


Figure 4. TIA/EIA-232-F Driver Output Current vs C_L

The curves shown in Figure 4 were generated using the following equation, which is an approximate equation relating transition time (t_t), line capacitance (C_L), receiver input impedance (R_i), driver short-circuit current (I_O), and the initial and final line voltage (-3 V and 3 V) of the transition region, V_i and V_f , respectively,

$$t_t = R_i \times C_L \times \ln \left[\frac{|R_i \times I_O| + |V_f|}{|R_i \times I_O| + |V_i|} \right]$$

Turning this equation around with respect to C_l and canceling R_i , V_i , and V_f gives:

$$C_l = \frac{1}{3} \times \frac{t_t}{\ln \left[\frac{I_O + 1}{I_O - 1} \right]}$$

The voltage levels, V_f and V_i , used in this equation are the extremes of the transition region. Assuming a typical driver short-circuit current of 20 mA and a receiver input resistance of 5 k Ω , the typical time taken to pass through the transition region is:

$$t_t = 300 \times C_l \text{ seconds.}$$

This equation can be manipulated further to gain a relationship of unit interval with line length in terms of load capacitance and short-circuit driver current. The equation in Figure 5 assumes conformance to the 4% rule.

Calculating Maximum Line Length

So far, line length in terms of load capacitance has been discussed. For practical purposes, we must not consider turning this value for load capacitance into true line length. The standard states a maximum line capacitance of 2500 pF. The input capacitance for a receiver of 20 pF leaves 2480 pF as the maximum line capacitance.

Next, the type of cable to be used must be considered. Standard 232 cable supplied by a number of manufacturers has a mutual capacitance of approximately 100 pF per meter, but stray capacitance must be added. Stray capacitance varies considerably, depending on whether or not the line is shielded.

For shielded cable, stray capacitance typically is double the mutual capacitance. As shown in Figure 5, for shielded cable, the maximum line length is 20 meters; for unshielded cable, it is more than 40 meters.

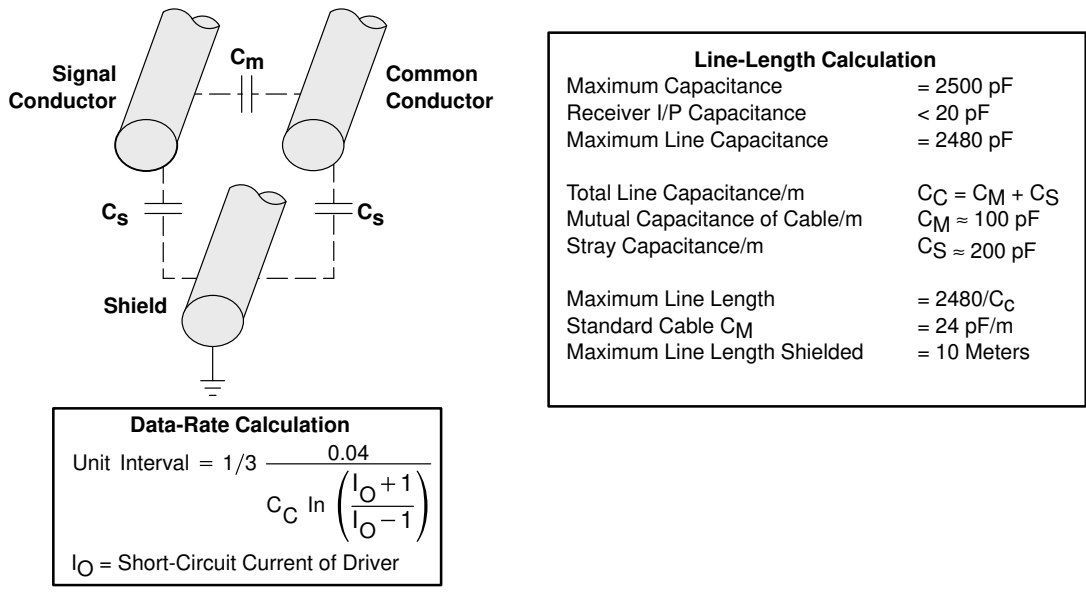


Figure 5. Calculating Line Length and Data Rate

The DB9S Connector

As mentioned previously, today's notebooks, laptops, and many desktop PCs, with their reduced size, no longer use the standard 25-pin D-type connector detailed in the standard but have substituted it for a 9-pin D type. This is commonly known as the DB9S connector. Like the 25-pin, the DCE connector is a male outer casing with female connection pins, and the DTE is a female outer casing with male connecting pins. As the interface is now made up of only nine pins, the handshaking lines have been reduced accordingly, but still are sufficient for most applications. Figure 6 shows the pin assignments for the interconnect cable into the DTE connector. An explanation of the function of each signal is given in Figure 6.

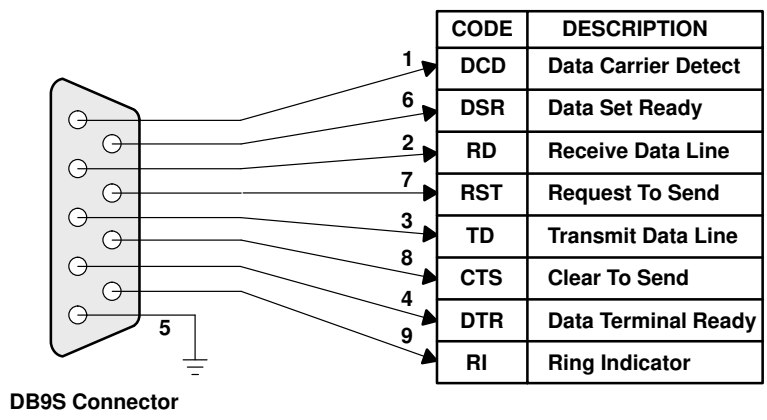


Figure 6. 232 DB9S Interface

Data Carrier Detect (DCD) – Receive Line Signal Detector – The On condition on this signal line, as sent by the DCE, informs the DTE that it is receiving a carrier signal from the remote DCE that meets its criteria. In modems, this circuit is held on as long as it is receiving a signal that can be recognized as a carrier. On half-duplex channels, DCD is held off when RTS is in the On condition.

Data Set Ready (DSR) – This is a signal turned on by the DCE to indicate to the DTE that it is connected to the line.

Receive Data Line (RD) – The signals on the RD line are in serial form. When the DCD signal is in the Off condition the RD line must be held in the Mark state.

Request to Send (RTS) – The signal is turned on by the DTE to indicate now it is ready to transmit data. The DCE then must prepare to receive data. In half-duplex operation, it also inhibits the receive mode. After some delay, the DCE turns the CTS line on to inform the DTE it is ready to receive data. Once communication is complete and no more data is transmitted by the DTE, RTS is then turned off by the DTE. After a brief delay to ensure that all data that was transmitted has been received, the DCE turns CTS off.

Transmit Data Line (TD) – The signals on this circuit are transmitted serially from DTE to DCE. When no data is being transmitted, the signal line is held in the Mark state. For data to be transmitted, DSR, DTR, RTS, and CTS must all be in the Mark state.

Clear to Send (CTS) – This signal is turned on by the DCE to indicate to the DTE that it is ready to receive data. CTS is turned on in response to the simultaneous On condition of the RTS, DSR, and DTR signals.

Data Terminal Ready (DTR) – This signal, in conjunction with DSR, indicates equipment readiness. DTR is turned On by the DTE to indicate to the DCE it is ready to receive or transmit data. DTE must be On before the DCE can turn on the DSR. When the DTR is turned off by the DTE, the DCE is removed from the communication channel when transmission is complete.

Ring Indicator (RI) – The ring indicator is turned on by the DCE while ringing is being received, and is a term left over from the use of the standard in telephone-line modem applications. This is used primarily in autoanswer systems.

Signal Ground (pin 5) – This is the ground providing the common ground reference for all the interchange circuits, is separate from the protective ground. The protective ground is electrically bonded to the equipment frame and usually is directly connected to the external ground. Therefore, any static discharges are routed directly to ground without affecting the signal lines.

While all these pins are assigned, not all equipment uses every pin. Consider the mouse that can use as few as four lines (signal ground, RI, TD, and RD). Most equipment utilizes a minimum of RTS, DTR, TD, RD, CTS, and DSR.

Also, note the usage of the DTE interface. The majority of equipment uses this interface and makes use of the null modem as a means of communication between DTEs. The null modem feeds back the RTS signal to the CTS line on each interface. Figure 7 details the connections for implementing a full null modem for the DB9S connector.

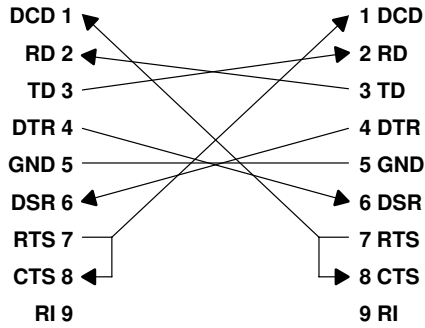


Figure 7. 232 Null Modem

Optimized PC Interface Devices

The DB9S DTE interface has three transmit lines and five receive lines. This is an awkward combination for the standard 232 IC configurations in use today. Consider the ubiquitous SN75188 and SN75189 quadruple drivers and receivers. Implementing this interface requires three ICs: one '188 and two '189s. Equal combinations of drivers, such as the triple driver/receiver of the SN75C1406, still require two chips to implement the interface.

For this reason, TI developed the SN75C185. By providing the exact combinations of driving and receiving elements, along with the necessary passive components, a highly-optimized solution can be provided – the SN75C185 is just that. The SN75C185 integrates three drivers and five receivers and includes the necessary capacitors for driver slew-rate limit (30 V/μs) and receiver filter implementation, all in a single 20-terminal package.

The designer's dilemma is eased further by the use of a flow-through pinout architecture (see Figure 8). By aligning one side of the SN75C185 with the pins of the DB9S connector and the other side to industry-standard ACEs or UARTs, printed circuit board (PCB) layout can be simplified greatly.

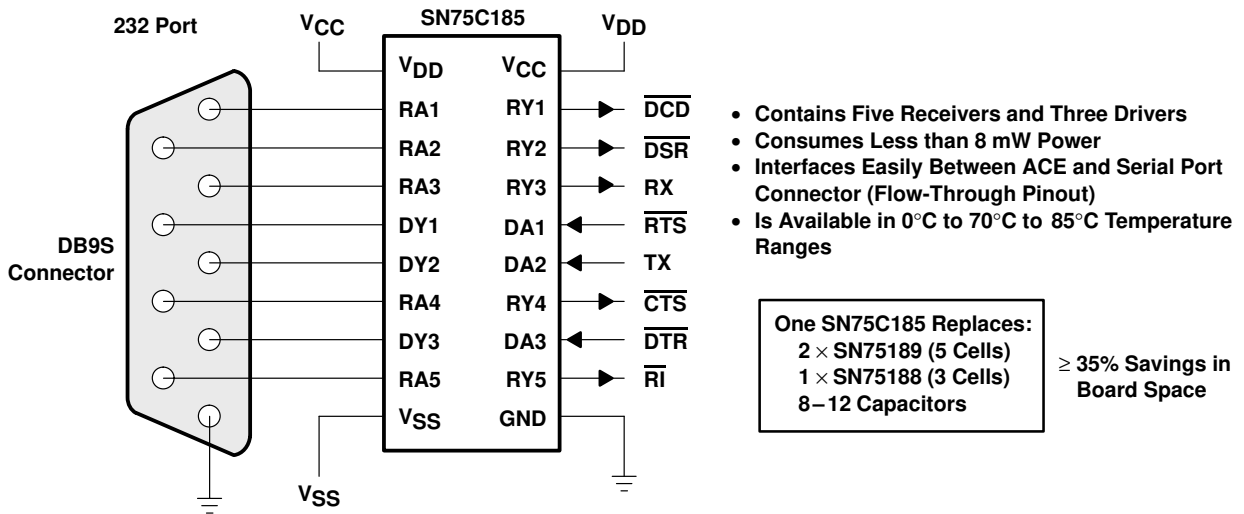


Figure 8. The SN75C185 Used as an Optimized PC Interface

Since its introduction in 1989, the footprint of the SN75C185 has become an industry standard. This provides for multiple sources and various semiconductor processes for addressing different design requirements. TI and others have released lower-priced versions at the expense of power and external components. The single-chip interface concept also is being applied to the peripheral (or DCE) end of the cable as well.

SN75C185 Power Considerations

System power consumption often is considered very late in the design cycle. Of even more concern is that the power consumption of the interface circuitry, the least attractive circuit to design, often is totally overlooked. The consequences of this can be catastrophic, especially when using devices in confined spaces. These areas normally have very poor air circulation, causing the ambient temperature of the whole system to increase.

These types of problems are particularly difficult to diagnose because failure often can be intermittent as devices pass into and out of thermal shutdown.

For these reasons, low-quiescent-power devices are becoming a necessity for modern applications. As digital technologies advance, device power consumption decreases, making the interface circuits the limiting factor as far as system power consumption is concerned.

Interface Power-Consumption Calculations

Before the availability of the SN75C185, common implementations of 232 required one quadruple-driver package and two quadruple receiver packages. In the driver chip, one device is redundant, and in the receiver chips, three devices are redundant. However, these devices still would be taking their quiescent current and wasting power. To provide the interface signals, three integrated circuits were required, while only two-thirds of the capability was being used. The calculations that follow demonstrate this difference. When comparing the 'C185 solution to that provided by the SN75188 and SN75189 devices, the power saving is substantial (see Figure 9).

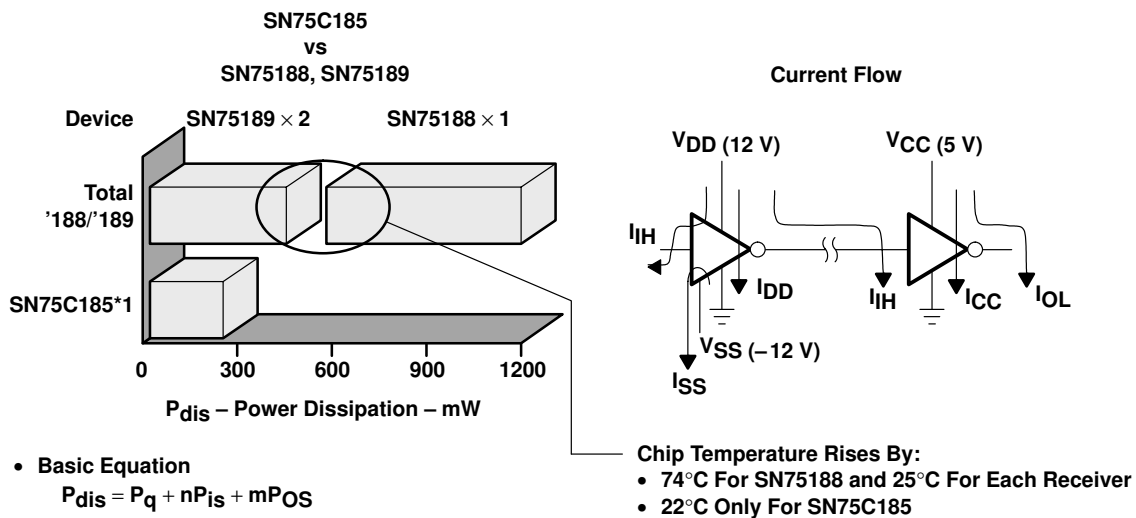


Figure 9. Power-Supply Considerations

Both implementations require three supply voltages: a 5-V and ± 12 -V supplies. The power dissipated, P_{dis} , within each device is the quiescent power of the device, P_q , plus the power dissipated in the input stage, P_{is} , and the power dissipated in the output stage, P_{OS} , when it is driving the line.

Hence,

$$P_{dis} = P_q + nP_{is} + mP_{OS}$$

Where n is the number of the active input stages and m is the number of active output states.

SN75188/SN75189 Combination – Using the SN75188 for the driver, the quiescent power consumption would be 576 mW [$(I_{DD} \times 12 \text{ V}) + I_{SS} \times 12 \text{ V}$]. In addition to this, the power dissipated in the input stage, P_{isd} , is:

$$P_{isd} = V_{DD} \times I_{IL} = 12 \text{ V} \times 1.6 \text{ mA} = 19.2 \text{ mW/driver}$$

This is multiplied by 4 to take into account all four drivers, putting the fourth driver into a defined state to reduce any noise problems introduced by leaving the input floating.

The power dissipated in the output stage, P_{OS} , is:

$$P_{OS} = (V_{DD} - V_{OH}) \frac{V_{OH}}{R_L} = (12 \text{ V} - 9 \text{ V}) \frac{9 \text{ V}}{3 \text{ k}\Omega} = 9 \text{ mW/driver}$$

This number is multiplied by 3 to take into account the three drivers active on the interface line. The sum gives a total power dissipation of:

$$P_{dis} = 576 \text{ mW} + (4 \times 19.2 \text{ mW/driver}) + (3 \times 9 \text{ mW/driver}) = 680 \text{ mW}.$$

The junction temperature of a DIP device would have risen by 75°C.

Using the SN75189 receivers, a quiescent power of 130 mW would be dissipated by each package. The power dissipated in the output stage has a similar equation to that of the driver.

$$P_{OS} = V_{OL} \times I_{OL} = 0.45 \text{ V} \times 10 \text{ mA/receiver} = 4.5 \text{ mW/receiver}$$

This power dissipated is multiplied by 5 to take into account the five receivers being used. The input stage also can dissipate power.

$$P_{is} = \frac{(V_{OH})^2}{R_L} = \frac{(9 \text{ V})^2}{3 \text{ k}\Omega} = 27 \text{ mW/receiver}$$

Assuming three receivers in one SN75189 and two receivers in the other are being used, the power dissipated in the first receiver is:

$$P_{dis} = 130 \text{ mW} + (3 \times 27 \text{ mW}) + (3 \times 4.5 \text{ mW}) = 225 \text{ mW}$$

The power dissipated in the second receiver is:

$$P_{dis} = 130 \text{ mW} + (2 \times 27 \text{ mW}) + (2 \times 4.5 \text{ mW}) = 193 \text{ mW}$$

This raises the temperature of the first and second receivers by 25°C and 23°C, respectively.

The total power dissipated by the SN75188/189 combination is the sum of these three powers, which is 1.1 W.

Using the SN75C185 – The power dissipation of the SN75C185 can be calculated in a similar manner. The quiescent power consumption of the SN75C185 is equal to:

$$P_q = V_{DD} \times I_{DD} + |V_{SS}| \times I_{SS} + V_{CC} \times I_{CC} = (12 \text{ V} \times 200 \text{ } \mu\text{A}) \\ + (|-12 \text{ V}| \times 200 \text{ } \mu\text{A}) + (5 \text{ V} \times 750 \text{ } \mu\text{A}) = 8.55 \text{ mW}$$

The power dissipated in the input stage of the driver, P_{is} , is:

$$P_{is} = V_{DD} \times I_{IL} = 12 \text{ V} \times 1 \text{ } \mu\text{A} = 12 \text{ } \mu\text{W}$$

This is multiplied by 3 to take into account all of the drivers.

The power dissipated in the output state of the driver, P_{os} , is:

$$P_{os} = (V_{DD} - V_{OH}) \times \frac{V_{OH}}{R_L} = (12 \text{ V} - 10 \text{ V}) \times \frac{10 \text{ V}}{3 \text{ k}\Omega} = 6.67 \text{ mW}$$

This number is multiplied by 3 to take into account the three drivers that are driving the interface line, resulting in a power dissipation of 20 mW. The power dissipated in the output stage of the receiver, P_{os} , has an equation similar to that of the driver:

$$P_{os} = V_{OL} \times I_{OL} = 0.4 \text{ V} \times 3.2 \text{ mA} = 1.28 \text{ mW}$$

This value is multiplied by 5, giving a total 6.4 mW of power dissipated in the receiver's output stages.

The power dissipated in the input stage, P_{is} , equals:

$$P_{is} = \frac{(V_{OH})^2}{R_L} = \frac{(10 \text{ V})^2}{3 \text{ k}\Omega} = 33.3 \text{ mW/receiver}$$

This power dissipation also requires multiplying by 5, which gives a total input power dissipation of 167 mW.

Then, by summing all the power contributors, the total power dissipation is derived by:

$$P_{dis} = P_q + 3P_{IS} + 3P_{OS} + 5P_{IS} + 5P_{OS} = 8.55 \text{ mW} + (3 \times 0.012 \text{ mW}) \\ + (3 \times 6.67 \text{ mW}) + (5 \times 33.3 \text{ mW}) + (5 \times 1.28 \text{ mW}) = 201 \text{ mW}$$

The total power dissipated by the SN75C185 is 201 mW

This represents a tremendous power savings, especially when considering that the line still is being driven. The temperature rise within the SN75C185 would be only 22°C, enabling it to operate more reliably and with higher ambient temperatures.

SN75LP1185 and SN75LPE185 High-Speed, Low-Power Devices

In systems where high ESD protection [± 15 kV using the human-body model (HBM)], high data signaling rates (>256 kbit/s), and low power consumption are of major concern, TI optimized two devices that are to meet these demands. Desktop, laptop, and palmtop PCs are all going toward these features. For these reasons TI introduced in late 1997 and early 1998 the SN75LP1185 and SN75LPE185 DTE devices, respectively, optimized for the DBS9 connector. The SN75LP1185 is pin-to-pin compatible with the industry-standard '185 as shown in Figure 8 to allow for easy board-level hookup to the device. The SN75LPE185, which comes in a 24-pin package, also has the same footprint as the '185 on the top 20 pins, but has extra pins for disabling the drivers and receivers and a power-management pin for added power savings.

Power Calculations - Power dissipation is calculated below for the SN75LP1185 using the same method as for the SN75C185. Similar calculations can be done for the SN75LPE185.

The quiescent-power consumption is:

$$P_q = (V_{DD} \times I_{DD}) + (V_{SS} \times I_{SS}) + (V_{CC} \times I_{CC}) = (12 \text{ V} \times 450 \text{ mA}) \\ + (-12 \text{ V} \times -625 \text{ mA}) + (5 \text{ V} \times 1000 \text{ mA}) = 17.9 \text{ mW}$$

Power dissipated in the input stage of the driver, P_{IS} , is:

$$P_{IS} = V_{DD} \times I_{IL} = 12 \text{ V} \times 1 \text{ } \mu\text{A} = 12 \text{ } \mu\text{W}$$

Since there are three drivers per device, P_{IS} is multiplied by three. The power dissipated in the output state of the driver, P_{OS} , is:

$$P_{OS} = (V_{DD} \times V_{OH}) \times \frac{V_{OH}}{R_L} = (12 \text{ V} - 5 \text{ V}) \times \frac{5 \text{ V}}{3 \text{ k}\Omega} = 11.67 \text{ mW}$$

Again, 11.67 mW per driver results in 35 mW. The power dissipated in the output stage of the receiver, P_{OS} , is:

$$P_{OS} = V_{OL} \times I_{OL} = 0.5 \text{ V} \times 2 \text{ mA} = 1 \text{ mW}$$

Five receivers yield a total of 5 mW of power dissipated in the receiver output stages. The power dissipated in each driver input stage, P_{IS} , is:

$$P_{IS} = \frac{(V_{OH})^2}{R_L} = \frac{(5 \text{ V})^2}{3 \text{ k}\Omega} = 8.33 \text{ mW}$$

Summation of all power contributions produces the total power dissipation by the SN75LP185.

$$P_{DIS} = P_Q + 3P_{IS} + 3P_{OS} + 5P_{IS} + 5P_{OS} = 17.9 \text{ mW} + (3 \times 12 \text{ } \mu\text{W}) \\ + (3 \times 11.67 \text{ mW}) + (5 \times 8.33 \text{ mW}) + (5 \times 1 \text{ mW}) = 99.6 \text{ mW}$$

99.6 mW is roughly half the power consumption of the SN75C185.

Device Features and Performance – Both the SN75LP1185 and the SN75LPE185 are optimized solutions to a single-chip TIA/EIA-232-F interface for IBM serial PC ports. They are designed to transmit and receive 4- μ s pulses, which are equivalent to 256 kbit/s. Other features such as ± 15 KV HBM ESD protection, low-power consumption, and on-chip slew-rate limiting are included in this family of bipolar devices. Figure 10 (each waveform has a 1- μ s time base per division) shows how the LP1185 output driver with an input voltage of 0 V to 5 V performs under several key parameters. Temperature, load resistance, load capacitance, and power-supply voltages are varied in three distinct cases to separate the fastest, nominal, and slowest frequency response. Since this device is manufactured in a bipolar process, the switching performance is at its fastest at hot temperatures and slowest in cold temperatures. The maximum slew rate of 30 V/ μ s was met, while the maximum frequency was measured when the output voltage failed to reach the minimum TIA/EIA-232 input-receiver voltage specification of ± 3 V. As shown by the waveforms, the signal quality of the output driver proves the slew-rate-controlling circuitry is functioning properly as it monotonically changes across the transition region of the receiver input.

Max Freq in Figure 10 corresponds to the maximum frequency the output driver is capable of sustaining without violating fundamental TIA/EIA-232-F specifications (except for the 4% transition-time limit). Frequency (in Hz), is half the data signaling rate (in bit/s). Therefore, a maximum frequency of 320 kHz for the nominal waveform equates to a data signaling rate of 640 kbit/s.

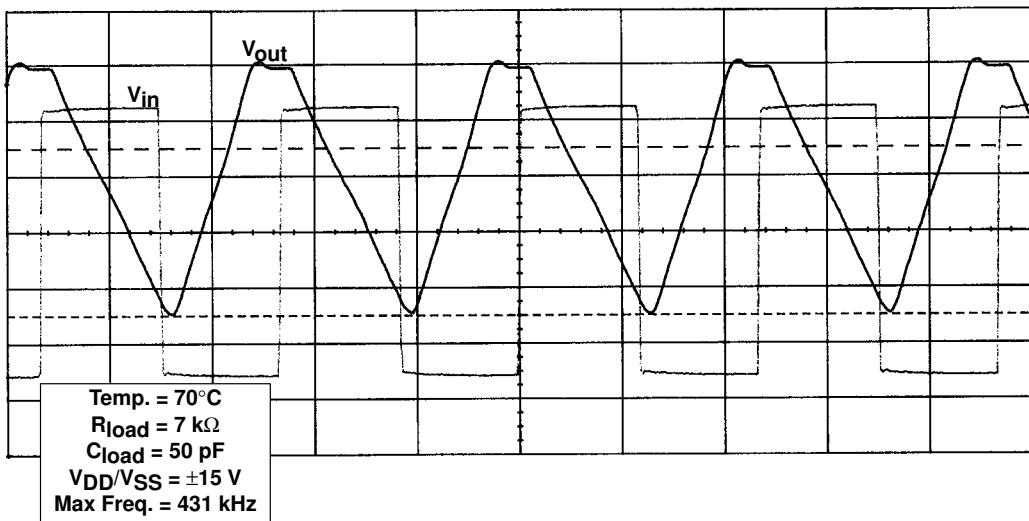
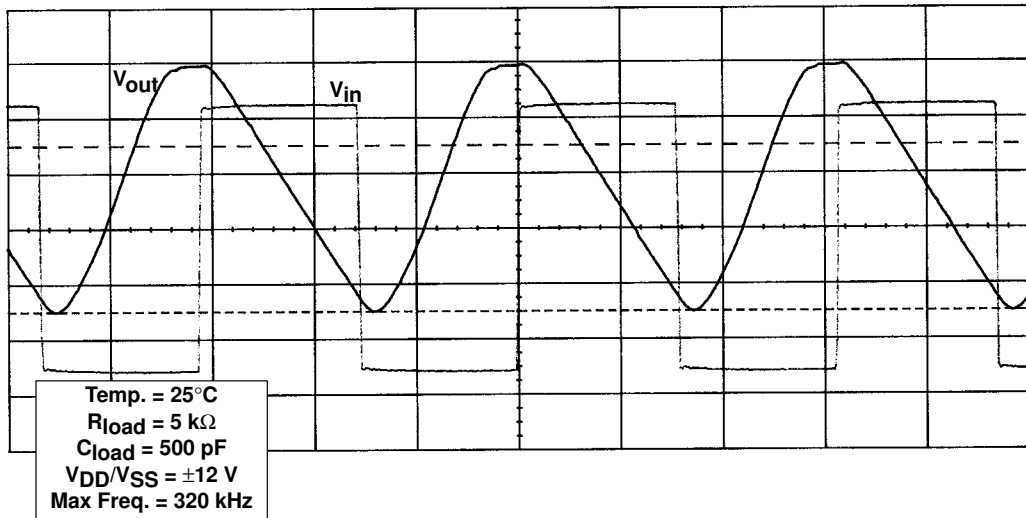
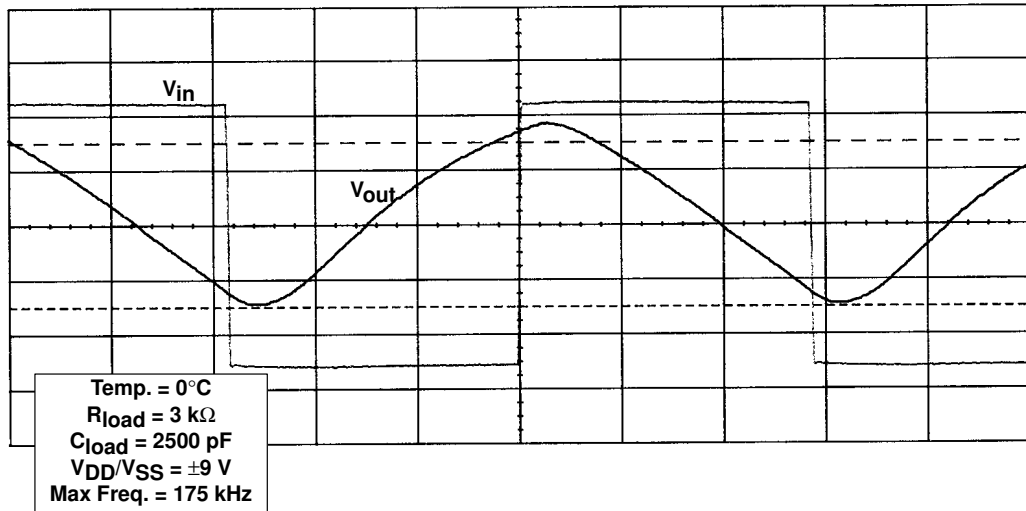


Figure 10. SN75LP1185 Data Signaling-Rate Performance

On-Chip Slew-Rate Limiting

The TIA/EIA-232-F standard specifies a maximum slew rate through the transition region of 30 V/ μ s. Relating this to capacitance and current, only 100 μ A of output current into 30-pF load is needed to exceed the slew-rate limit. All devices are capable of supplying more than 5 mA. Therefore, if the slew-rate limit is not to be exceeded, the switching speed of the driver's output stage must be reduced. An established solution is to place loading capacitors on the output of the driver. The value of the loading capacitor required depends on the line length, but generally, it is about 330 pF. This capacitor causes the output transistors to saturate and short-circuit current limit, thus preventing fast-switching edges.

There are some major problems with this established process, two being the variance in current at which the output short circuits and the line length. For example, a device capable of sourcing 10 mA needs a total capacitance of 330 pF on its output to meet the 30-V/ μ s slew-rate limit. Placing this value across a device capable of sourcing 4 mA limits its slew rate to less than 12 V/ μ s.

Another problem encountered is the increase in power dissipation through the output stage. Normally, the output voltage of the driver is close to one supply rail, so when it tries to switch to the other rail, the active transistor has most of the supply voltages across it. The extra external capacitor holds the driver's voltage close to the supply voltage, causing the output transistor to source a large amount of current. The combination of the large source current and large voltage causes it to dissipate large amounts of power. Operating at these prolonged bursts of high current ultimately increases the chip temperature, which can affect the long-term life of the device. Devices built using bipolar technologies normally are much better able to withstand such effects.

A better solution, and the one employed by the drivers in SN75C185, SN75LP1185, and SN75LPE185, is to place the slew-rate limiting within the chip itself. Using similar techniques to those employed for slew-rate-limited operational amplifiers, the slew rate of line drivers also can be limited. Using the Miller capacitance-multiplying effect, the slew rate of the driver can be slowed. The biasing current to the output transistors is unaffected by this technique and is more than sufficient to drive the 3-k Ω load, as offered by the receiver.

Internal Noise Filtering

The TIA/EIA-232-F standard states a maximum line cable capacitance of 2500 pF, which corresponds to an approximate line length of 20 meters. As the interface line gets longer, it becomes more susceptible to noise from the surrounding environment.

For operation at high data rates, the use of the differential line might be the best solution. If, however, a low-cost and simple single-ended solution is required, standard RS-232 devices can be modified to give noise protection. This is achieved by slowing down the response of the receiver's input. The maximum data rate specified in the standard is 20 kbit/s, corresponding to a minimum pulse period of 100 μ s. Therefore, in normal applications, most devices are much faster than specification requires.

To slow older bipolar receivers, such as the SN75189, a capacitor can be placed on each of its response-control terminals, requiring an additional four capacitors per device, which can be awkward and costly. The effect of this response-control capacitor is to set up a low-pass filter on the receiver's input. To provide long-pulse rejection, the capacitor must be quite large. Furthermore, the filter response is asymmetrical, affording protection against positive noise-voltage spikes only; negative spikes are unaffected, and tend to attenuate, rather than reject, short noise pulses.

Receivers in the SN75C185 integrate on-chip filtering that rejects fast transient-noise pulses. The on-chip filters are more precise than filters implemented using external passive components. These filters are totally symmetrical, offering protection against both positive and negative noise pulses, and have the ability to reject, rather than attenuate, short noise pulses. To approach the level of filtering offered by the 'C185 receivers, the standard '188-type receivers require much larger capacitors, but still fall well short of filtering requirements.

