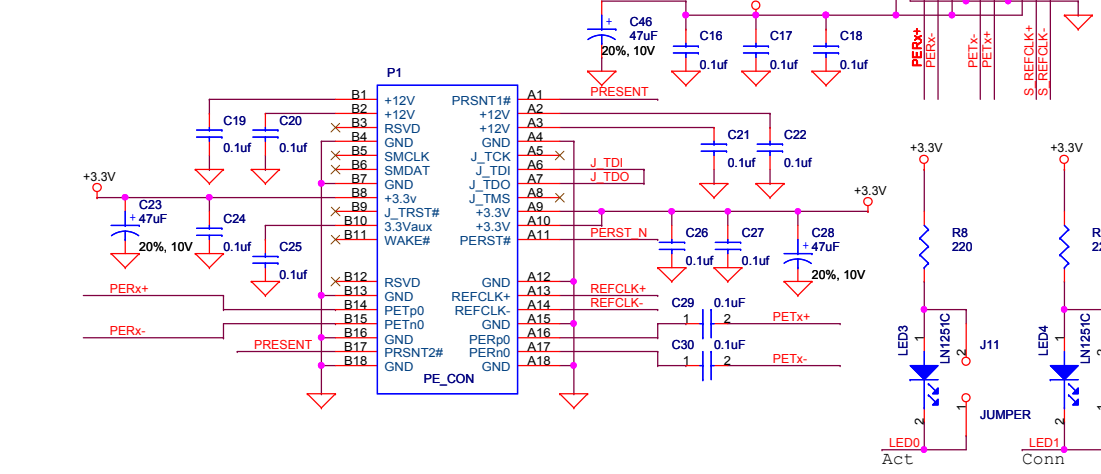
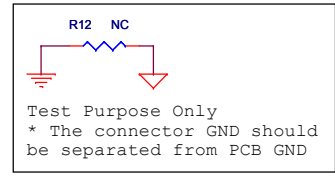
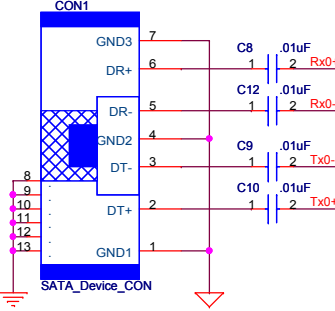
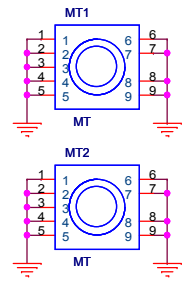


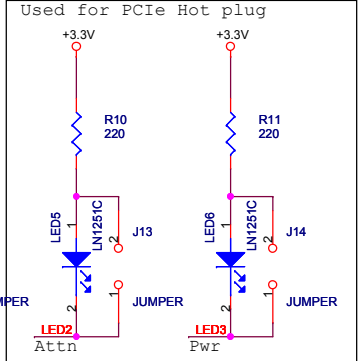
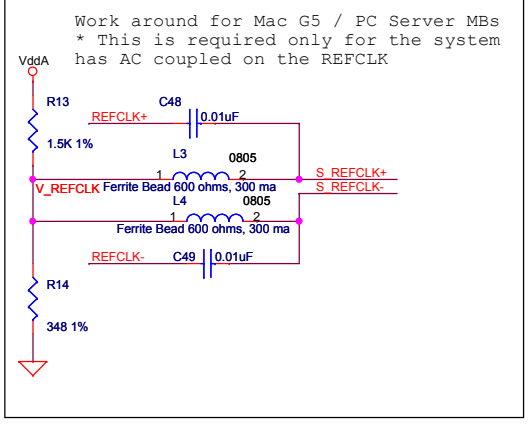
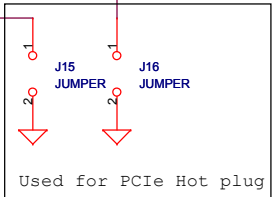
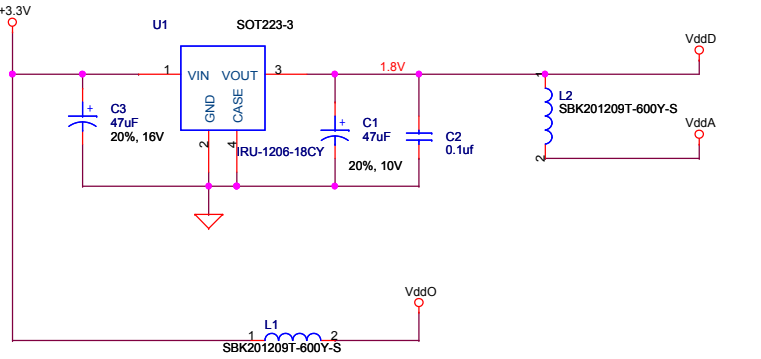
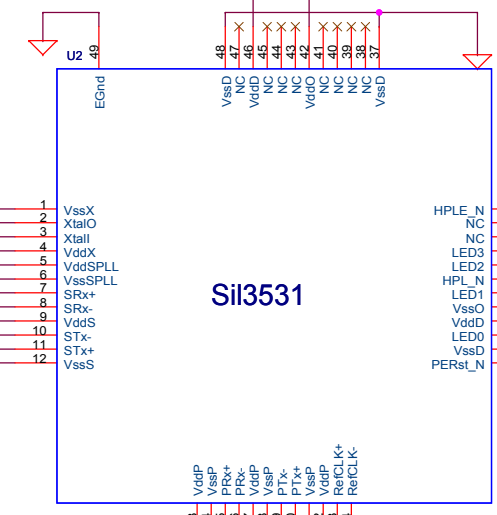
"Note: Please select low loading capacitance crystal and optimize the capacitor's value for ppm and drive level"



EPAD must be tied to PCB GND

Place R15 close to VddX pin

SII3531



Silicon Image			
Title Pandora Reference Board			
Size Custom	Document Number Pandora Circuit	Rev A01	
Date: Friday, August 11, 2006	Sheet 1	of 1	