

FEATURES

■ Single-chip XGA/Super VGA LCD controller

- Pin-compatible superset of CL-GD7541/GD7543 SVGA LCD controllers
- IBM® VGA hardware-compatible

■ GUI acceleration

- BitBLT engine (double-buffering, auto-start, memory-mapped I/O, and transparent BitBLT)
- Color expansion for 8- or 16-bit pixels
- True packed-pixel addressing for 4, 8, 16, and 24 bits per pixel
- Programmable linear memory addressing
- 32 × 32 or 64 × 64 hardware cursor

■ Cost-effective multimedia enhancements with 1-MByte DRAM

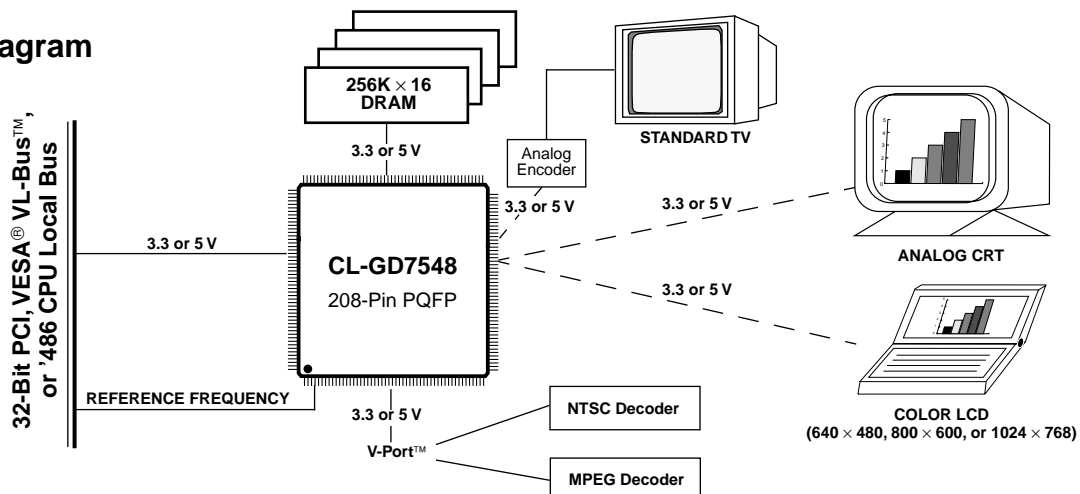
- Enhanced MVA™ (Motion Video Acceleration™)
 - True-color, full-motion video playback
 - Mixed graphics/video color depths (multi-format frame buffer)
 - Supports 4:2:2 YCrCb, RGB 5-5-5, and AccuPak™ (8-bit) color space formats
 - Integrated 4:2:2 YCrCb-to-RGB 8-8-8 color space converter
 - Up to 4× continuous horizontal/vertical upscaling
 - Full MVA support with TFT and STN color LCDs
- Dual apertures (video/graphics) with VESA® VL-Bus™ and PCI bus
- Interface to analog NTSC/PAL encoders for TV OUT

GUI-Accelerated XGA/SVGA LCD Controller with Low-Cost Multimedia Options from Enhanced MVA™

■ Cost-effective multimedia enhancements with 1-MByte DRAM (cont.)

- Flexible V-Port™
 - 8/16-bit V-Port™ connected to display memory
 - Single-chip live video solution with popular decoders (such as the CL-PX4072 or the Philips® SAA7110)
 - Two-chip MPEG solution (MPEG decoder and 256K × 16 DRAM)
 - 1024 × 768 video using AccuPak™ (live video and playback)
 - On-chip AccuPak™: compression through V-Port™, decompression at display time
 - Low-cost multimedia solution through multimedia PC Cards (PCMCIA)
 - Supports serial programming interface to popular decoders (video, audio, MPEG) through DDCC/DDCD (DDC-2b)
 - V-Port™ compliance with DCI 1.x and Windows® 95 DirectDraw™

System Block Diagram



FEATURES (cont.)

- **32-bit direct-connect CPU host bus interfaces**
 - '486 CPU local bus (up to 50 MHz)
 - VESA® VL-Bus™ @ 50-MHz bus clock
 - PCI bus @ 33-MHz bus clock with burst support: big-endian byte-order hardware support for PowerPC™
- **64 × 64 pixel size hardware pop-up icons**
 - Displays up to four independently controlled, 4-color icons
- **Scalable 1- and 2-Mbyte display memory**
 - 32-bit-wide interface to display memory
 - Two/four 256K × 16 DRAMs
 - Four 512K × 8 DRAMs
 - Optimized support for Extended Data-Out (Hyper-Page-Mode) DRAMs
- **Integrated programmable frequency synthesizer**
 - VCLK up to 80 MHz at 5 V; 77 MHz at 3.3 V
 - MCLK up to 66 MHz at 5 V; 55 MHz at 3.3 V
- **Integrated 24-bit true-color RAMDAC**
 - Non-interlaced CRTs: 640 × 480 with 16M colors, 800 × 600 with 64K colors, or 1024 × 768 with 256 colors
 - Interlaced CRTs: 1280 × 1024 with 256 colors
- **640 × 480 (VGA), 800 × 600 (SVGA), and 1024 × 768 (XGA) LCDs**
 - Color TFT LCDs
 - 1-pixel/shift clock (9-, 12-, 18-, and 24-bit interfaces)
 - 2-pixel/shift clock with external multiplexor (18- and 24-bit interfaces)
 - Dual-scan color STN LCDs (640 × 480 and 800 × 600)
 - Dithering algorithm automatically adds up to 6 bits per primary color without decreasing spatial resolution
 - Enhanced frame-rate modulation algorithm improves display quality with fast-response STN LCDs
 - Hardware expansion to 800 × 600 with lower-resolution VGA modes
 - SimulSCAN™ (simultaneous CRT and LCD)
- **Power-management capabilities**
 - 3.3-V, 5.0-V, and mixed-voltage operation
 - VESA® DPMS (Display Power Management Signaling)
 - DDC-1 and DDC-2b (Display Data Channel) support
- **EIAJ standard 208-pin plastic quad flat package**

OVERVIEW

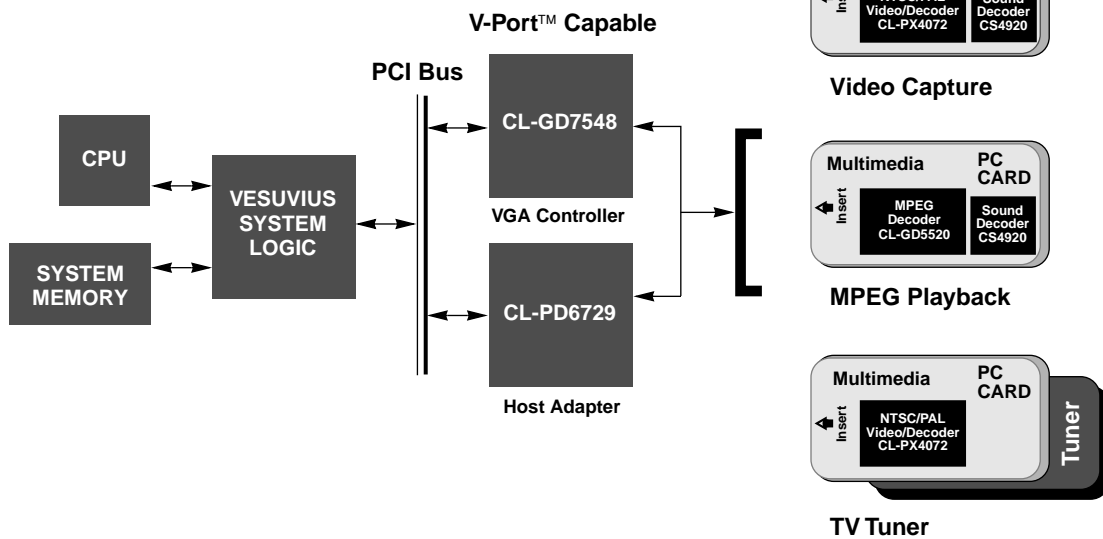
The CL-GD7548 GUI-accelerated SVGA LCD controller with MVA (Motion Video Acceleration) provides an extremely flexible, high-quality, cost-effective multimedia option for the next generation of mid-range to premium portable computers.

With its enhanced BitBLT GUI acceleration, continuous upscaling for 1024 × 768 and 800 × 600 LCDs, true-color capability, and mixed-voltage operation for low power consumption, the CL-GD7548 delivers exceptional graphics/video performance.

The CL-GD7548 V-Port enables high-quality, low-cost multimedia options such as a single-chip NTSC/PAL video decoder or MPEG decoder by eliminating the need for an additional video frame buffer and providing a dedicated path to a PC Card (PCMCIA). The CL-GD7548 V-Port is fully Zoomed Video compliant. A complete graphics subsystem can be built with only three active components: the CL-GD7548 and two 256K × 16 DRAMs

The CL-GD7548 fully supports all features of the CL-GD7543, including MVA™ for playback of MPEG or Video for Windows .AVI (audio-video interleaved) files.

V-PORT™-ENABLED TECHNOLOGY



SOFTWARE SUPPORT

Operating System and Application Software Drivers

Software Drivers ^a	Resolution Supported	Number of Colors
Microsoft®/Intel® DCI™ v1.x	640 × 480, 800 × 600, 1024 × 768	256
Microsoft® Windows® v3.1 Microsoft® Windows® 95™ with DirectDraw™ Cirrus Logic VPM (Video Port Manager)	640 × 480, 800 × 600, 1024 × 768, 1280 × 1024 640 × 480, 800 × 600 640 × 480	256 65,536 16.8 million
Microsoft® Windows NT™ v3.5	640 × 480, 800 × 600, 1024 × 768	16 and 256
OS/2® v2.0, WARP 3.0	640 × 480, 800 × 600, 1024 × 768 640 × 480, 800 × 600 640 × 480	16 and 256 65,536 16.8 million
AutoCAD® v11, v12	640 × 480, 800 × 600, 1024 × 768 640 × 480, 800 × 600 640 × 480	16 and 256 65,536 16.8 million
Autoshade® v2.0 3D Studio® v1, v2	640 × 480, 800 × 600, 1024 × 768 640 × 480, 800 × 600 640 × 480	256 65,536 16.8 million

^a Driver support for additional applications is provided by independent software vendors, either with specific drivers or through VESA mode support. For more information concerning driver support, contact the software manufacturer.

BIOS

Feature	Benefit
■ 48-Kbyte BIOS	<input type="checkbox"/> Provides optimum performance with VGA and VESA® extended mode support. <input type="checkbox"/> Provides system design options for the best combination of performance and functionality.
■ Fully IBM® VGA-compatible BIOS	<input type="checkbox"/> Compatible with the existing base of PC applications.
■ VESA® VBE (VGA BIOS extensions) 1.2 and PM (power management) support	<input type="checkbox"/> Compatible with industry standard for extended mode support beyond VGA and power-management control.

Software Utilities

Utility	Function
AutoResolution Switching	Windows® application for automatically switching display resolutions (for example, from a 1024 × 768 CRT to lower-resolution 640 × 480 or 800 × 600 LCDs) without relaunching Windows
CLMode	Video mode and video display configuration utility suitable for end-use distribution (includes foreign language translations)
OEMSI	BIOS-customization utility for OEM development use
PCLRegs	VGA controller register viewer/editor for OEM development use
V-Port™ Regs	V-Port™ display configuration utility for OEM development use
WinMode	Windows® application for graphic mode and display type configuration (includes foreign language translations, selectable from within the utility)

UNIQUE FEATURES

High Performance

- BitBLT engine, color expansion, hardware cursor, linear addressing, and 32-bit memory interface
- BitBLT double-buffering, auto-start, and memory-mapped I/O
- BitBLT with transparency
- 32-bit local bus interfaces operating up to 50 MHz
- Hardware 'pop-up' icons

Multimedia and MVA™

- MVA™ (Motion Video Acceleration™)
- Multi-format frame buffer
- Dual independent apertures: one for graphics and one for video
- Interface to CL-PX4072 video pixel decoder requires no external logic
- 8 or 16-bit V-Port™ to display memory
- 8-bit Overlay Port; video data overlay for display
- Interface to NTSC/PAL analog encoders
- AccuPak™ compression and decompression logic on-chip

Enhanced LCD Support

- 1024 × 768 LCD support (TFT)
- 800 × 600 LCD support (both TFT and dual-scan STN) with comprehensive hardware resolution-compensation support
- Enhanced frame-rate modulation
- Intelligent dithering algorithm expands the number of input bits per primary color (RGB) on TFT or STN LCDs

Power Management

- 3.3-V, 5.0-V, or mixed-voltage support
- Hardware-initiated Standby and Suspend modes and VESA® DPMS support for CRTs

Software

- Complete suite of drivers for multiple operating systems
- User-friendly utilities

BENEFITS

- Accelerates GUIs such as Microsoft® Windows®; provides high resolution and color-depth capabilities.
- Reduced BLT setup, overlapped execution, more efficient Windows® GDI (graphical device interface) software.
- Accelerates games.
- Increases system throughput; PCI interface allows use in 'X86, PowerPC™, or other platforms.
- Provides hot-key display for on-screen symbols such as battery 'fuel gauge' and contrast/brightness controls.
- Hardware enhancement for playback of files that are compatible with the DCI (Display Control Interface) standard.
- Displays separate graphics and video windows at independent color depths. Maintains high rate of video playback without degrading performance.
- A BitBLT operation in Microsoft® Windows® can be in progress while live video data is being simultaneously shown through the secondary aperture.
- Allows capability for live 'TV in a window' at real-time speeds.
- Eliminates external video frame buffer and additional hardware; enables low-cost multimedia PC cards (PCMCIA).
- V-Port™ clock rate decoupled from display clock rate.
- Enables external hardware to support occlusion.
- Overlay regions defined with internal window registers and/or color keys.
- Integrated design can be developed to display computer-generated data on a TV or to record to a VCR.
- 2:1 reduction in storage and data rate requirements over 16-bpp formats.
- 2-pixel/shift clock external multiplexer.
- Up to 800 × 600 hardware expansion for lower-resolution modes.
- Enables full use of the display area whether in graphics or text mode.
- Improves display quality; increases stability of shades for dual-scan STNs.
- Displays high- and true-color modes with smooth shading (no contouring) on all supported LCD types.
- Minimizes operating power consumption; provides manufacturing flexibility.
- Reduces power consumption; supports Energy Star monitors for 'green PC' compliance.
- Coverage of all popular application environments.
- Enable fast and on-the-fly changes.

Direct Sales Offices

Domestic

N. CALIFORNIA

Fremont
TEL: 510/623-8300
FAX: 510/252-6020

Sacramento
TEL: 916/933-4200
FAX: 916/933-4211

S. CALIFORNIA

Los Angeles
TEL: 714/573-9911
FAX: 714/573-4665

Westlake Village
TEL: 805/371-5860
FAX: 805/371-5861

NORTHWESTERN AREA

Portland, OR
TEL: 503/620-5547
FAX: 503/620-5665

ROCKY MOUNTAIN AREA

Denver, CO
TEL: 303/786-9696
FAX: 303/786-9695

SOUTH CENTRAL AREA

Austin, TX
TEL: 512/255-0080
FAX: 512/255-0733

Dallas, TX
TEL: 214/252-6698
FAX: 214/252-5681

Houston, TX
TEL: 713/379-5772
FAX: 713/379-4341

CENTRAL AREA

Chicago, IL
TEL: 708/981-6950
FAX: 708/981-6846

NORTHEASTERN AREA

Andover, MA
TEL: 508/474-9300
FAX: 508/474-9149

Boston, MA
TEL: 617/721-1439
FAX: 617/721-4509

Philadelphia, PA
TEL: 215/625-0781
FAX: 215/625-0731

SOUTHEASTERN AREA

Atlanta, GA
TEL: 404/623-4653
FAX: 404/497-0414

Raleigh, NC
TEL: 919/859-5210
FAX: 919/859-5334

St. Petersburg, FL
TEL: 813/823-7506
FAX: 813/823-7402

International

GERMANY

Munich
TEL: 49/81-52-40084
FAX: 49/81-52-40077

FRANCE

Paris
TEL: 33/1-48-12-2812
FAX: 33/1-48-12-2810

HONG KONG

Tsimshatsui
TEL: 852/376-0801
FAX: 852/375-1202

ITALY

Milan
TEL: 39/2-3360-5458
FAX: 39/2-3360-5426

JAPAN

Tokyo
TEL: 81/3-3340-9111
FAX: 81/3-3340-9120

KOREA

Seoul
TEL: 82/2-565-8561
FAX: 82/2-565-8565

SINGAPORE

TEL: 65/353-2122
FAX: 65/353-2166

TAIWAN

Taipei
TEL: 886/2-718-4533
FAX: 886/2-718-4526

UNITED KINGDOM

London, England
TEL: 44/1727-872424
FAX: 44/1727-875919

The Company

Headquartered in Fremont, California, Cirrus Logic is a leading manufacturer of advanced integrated circuits for desktop and portable computing, telecommunications, and consumer electronics. The Company applies its system-level expertise in analog and digital design to innovate highly integrated, software-rich solutions.

Cirrus Logic has developed a broad portfolio of products and technologies for applications spanning multimedia, graphics, communications, system logic, mass storage, and data acquisition.

The Cirrus Logic formula combines innovative architectures in silicon with system design expertise. We deliver complete solutions — chips, software, evaluation boards, and manufacturing kits — on-time, to help you win in the marketplace.

Cirrus Logic's manufacturing strategy ensures maximum product quality, availability, and value for our customers.

Talk to our systems and applications specialists; see how you can benefit from a new kind of semiconductor company.

© Copyright, Cirrus Logic Inc., 1995. All rights reserved.

Preliminary product information describes products that are in production, but for which full characterization data is not yet available. Cirrus Logic Inc. has made best efforts to ensure that the information contained in this document is accurate and reliable. However, the information is subject to change without notice. No responsibility is assumed by Cirrus Logic Inc. for the use of this information, nor for infringements of patents or other rights of third parties. This document implies no license under patents, copyrights, or trade secrets. Cirrus Logic, AccuPak, AccuView, AutoMap, CD-ZOOM, Evergreen, FeatureChips, GoldenGate, Good Data, MediaDAC, MotionVideo, MVA, PicoPower, SimulSCAN, S/LA, SmartAnalog, SmartDock, SofTarget, UltraDie, UXART, V-Port, Vision Port, VisualMedia, WavePort, WIC, and WindowInterChip are trademarks of Cirrus Logic Inc. Other trademarks in this document belong to their respective companies.