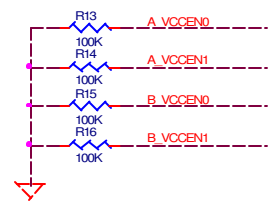


NOTE 2

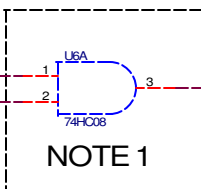
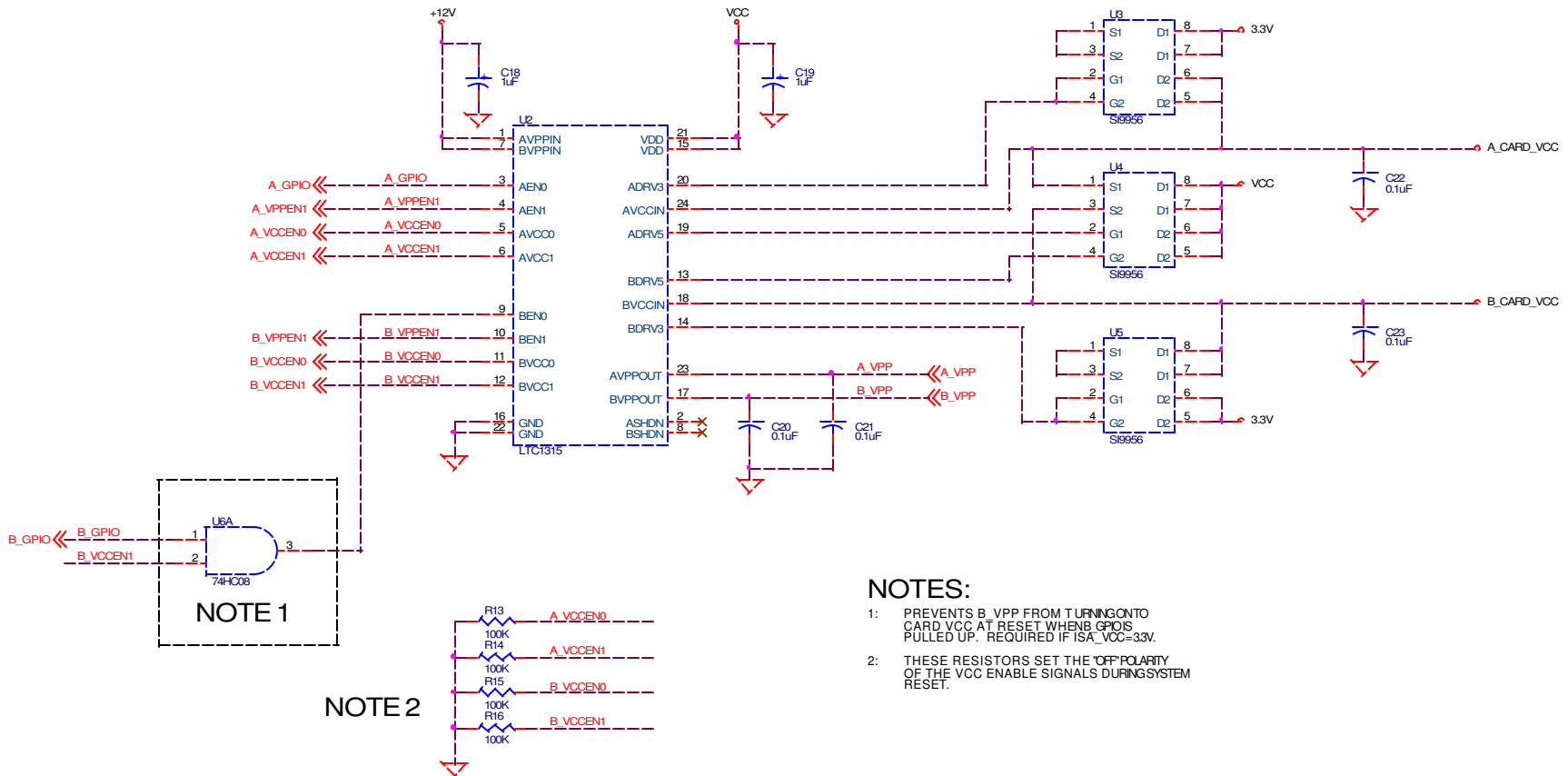


NOTES:

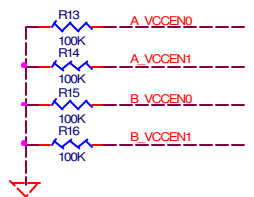
- 1: PREVENTS B_VPP FROM TURNING ON TO CARD VCC AT RESET WHEN B_GPIO IS PULLED UP. REQUIRED IF ISA_VCC=3.3V.
- 2: THESE RESISTORS SET THE OFF POLARITY OF THE VCC ENABLE SIGNALS DURING SYSTEM RESET.

These schematics are provided as a design guide only. Vadem assumes no responsibility for final system design.

VADEM		
Title: VG-469 DESKTOP REF. 6 - MAXIM POWER OPTION		
Size: I B	Document Number:	Rev: 3
Date: Thursday, February 06, 2003	Sheet: 0 5A of 5	



NOTE 2



NOTES:

- 1: PREVENTS B_VPP FROM TURNING ON TO CARD_VCC AT RESET WHEN B_GPIO IS PULLED UP. REQUIRED IF ISA_VCC=3.3V.
- 2: THESE RESISTORS SET THE "OFF" POLARITY OF THE VCC ENABLE SIGNALS DURING SYSTEM RESET.

These schematics are provided as a design guide only. Vadem assumes no responsibility for final system design.

VADeM		
Title	VG-469 DESKTOP REF. 6 - LINEAR POWER OPTION	
Size	Document Number	Rev 3
Date:	Thursday, February 06, 2003	Sheet 0 of 5

VG-469

REFERENCE DESIGN #6

DESKTOP IMPLEMENTATION

INTERNAL VOLTAGE SENSE
NO DMA
NO P&P

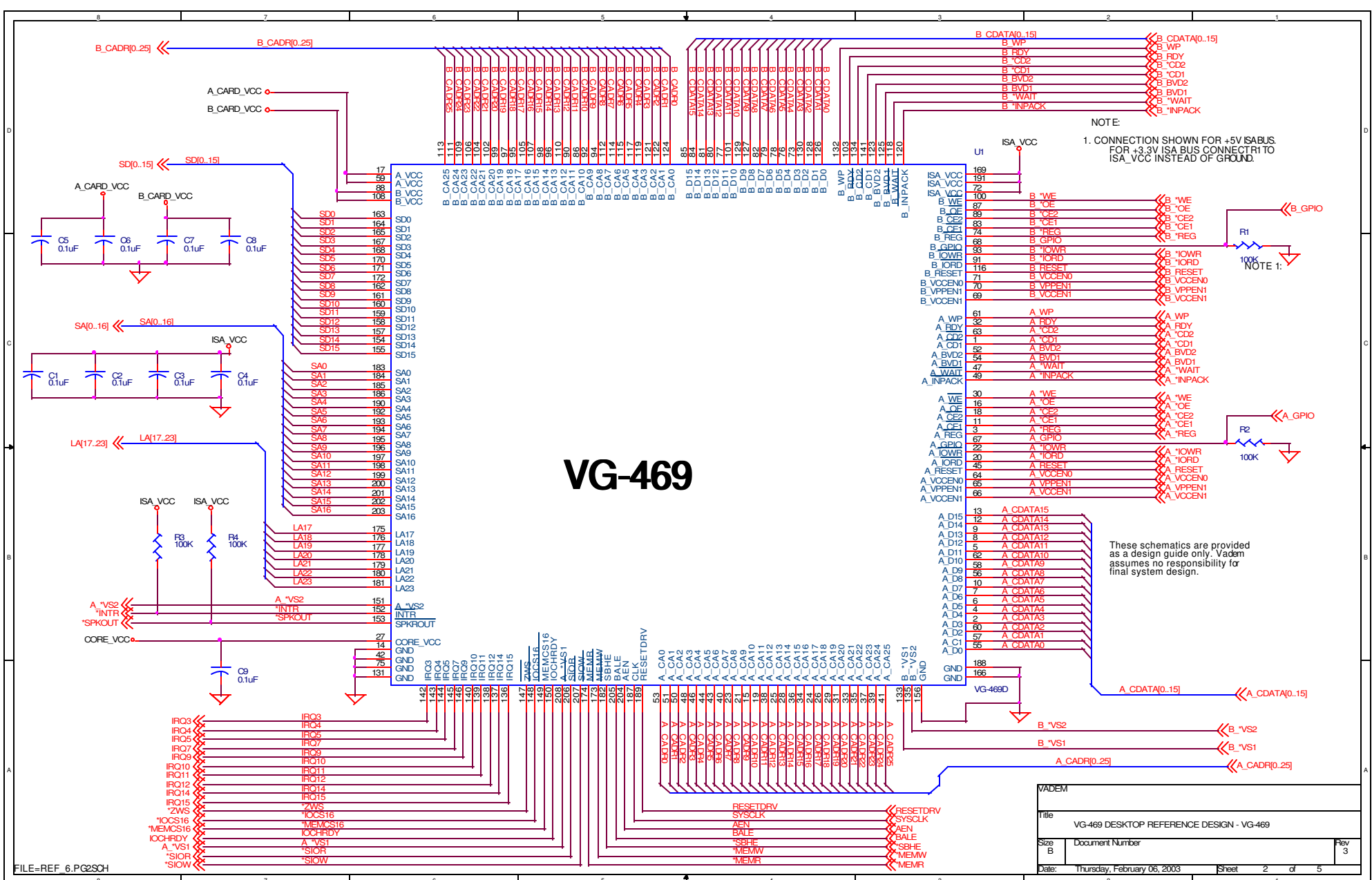
These schematics are provided as a design guide only.
Vadem assumes no responsibility for final system design.

LINK
REF 6PG2SCH
REF 6PG3SCH
REF 6PG4SCH
REF 6PG5SCH
REF6PG5A.SCH
REF6PG5B.SCH

FILE=469REF_6SCH

VADEM		
Title VG-469 DESKTOP REFERENCE DESIGN		
Size B	Document Number	Rev 3
Date: Thursday, February 06, 2003	Sheet 1	of 5

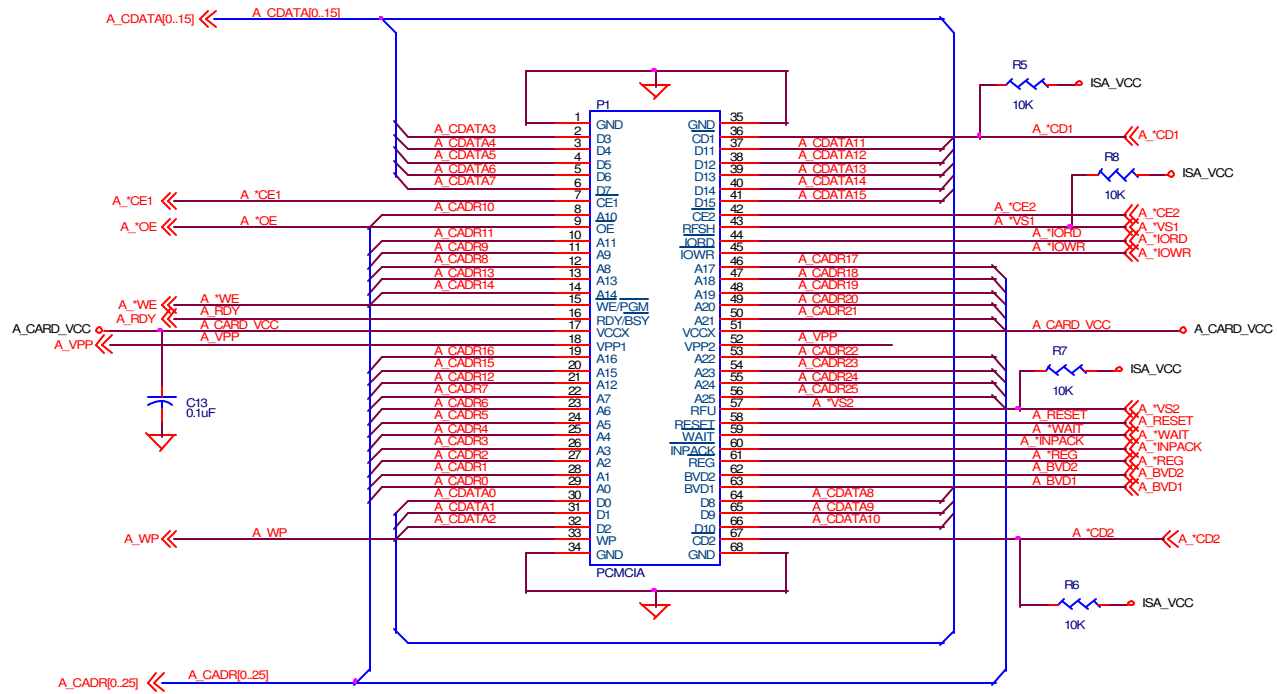
VG-469



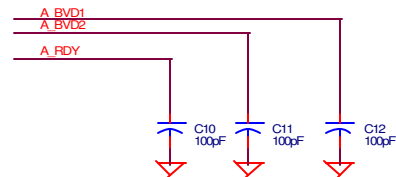
NOTE:
 1. CONNECTION SHOWN FOR +5V ISABUS FOR +3.3V ISA BUS CONNECTR1 TO ISA_VCC INSTEAD OF GROUND.

These schematics are provided as a design guide only. Vadam assumes no responsibility for final system design.

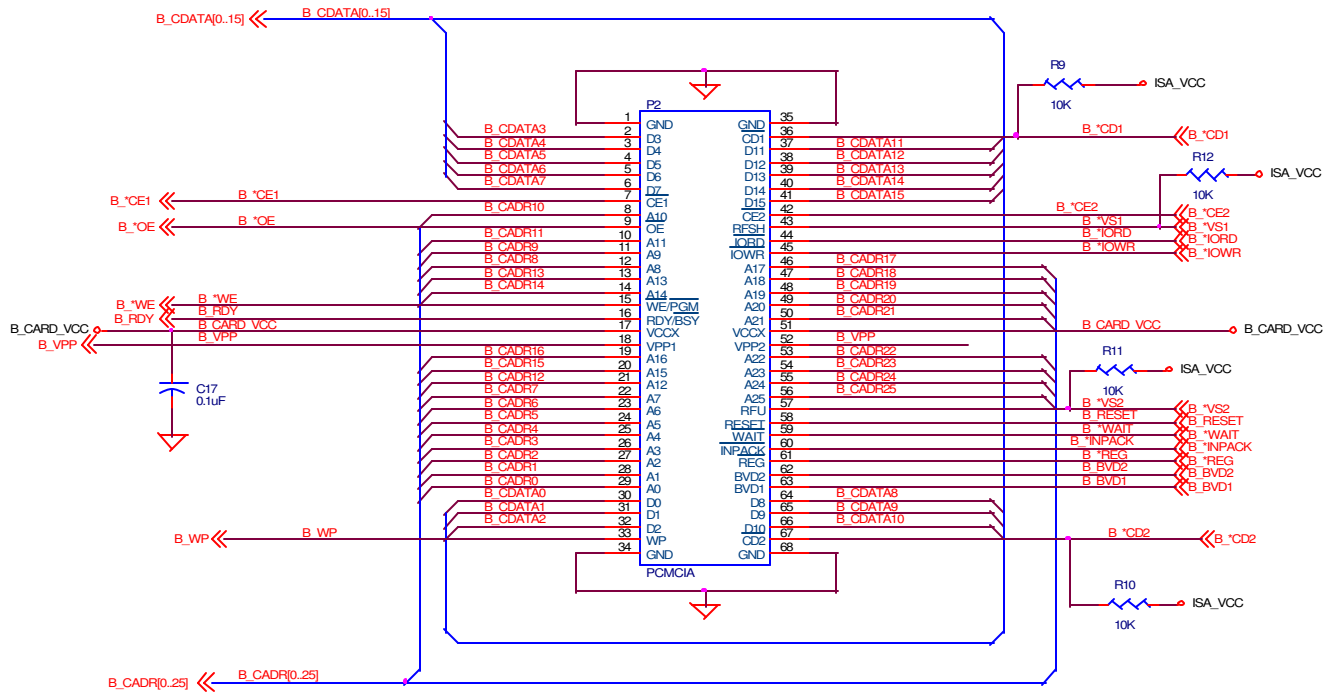
VADAM		
Title: VG-469 DESKTOP REFERENCE DESIGN - VG-469		
Size: B	Document Number:	Rev: 3
Date: Thursday, February 06, 2003	Sheet: 2	of 5



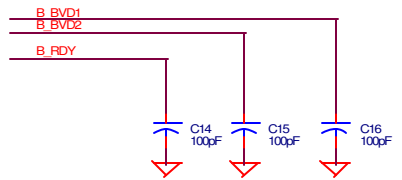
These schematics are provided as a design guide only.
Vadem assumes no responsibility for final system design.



VADEM		
Title VG-469 DESKTOP REFERENCE - PCMCIA SLOT A		
Size B	Document Number	Rev 3
Date:	Thursday, February 06, 2003	Sheet 3 of 5

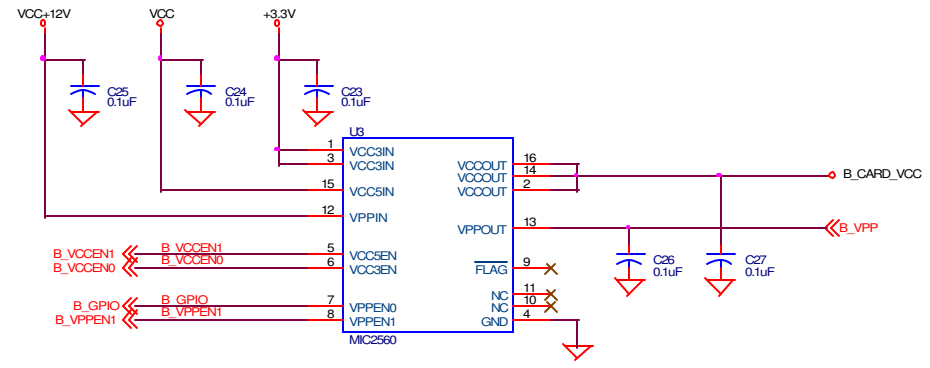
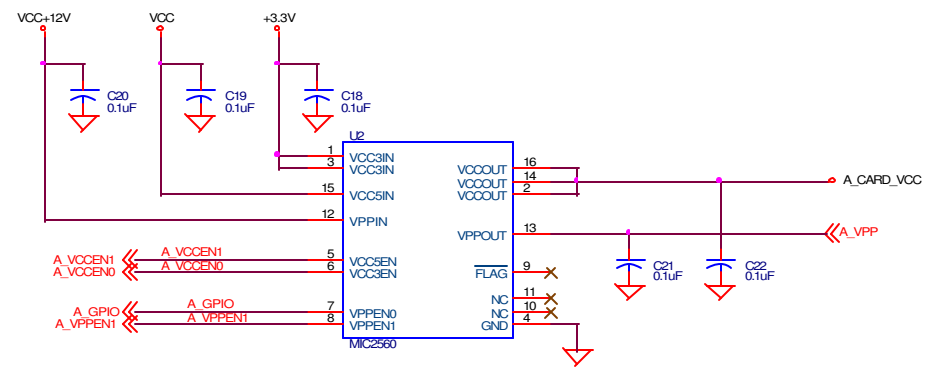
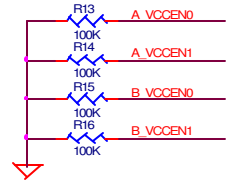


These schematics are provided as a design guide only. Vadem assumes no responsibility for final system design.



VADEM		
Title VG-469 DESKTOP REFERENCE - PCMCIA SLOT B		
Size B	Document Number	Rev 3
Date: Thursday, February 06, 2003	Sheet 4	of 5

NOTE:
 THESE RESISTORS SET
 THE "OFF" POLARITY
 OF THE VCC ENABLE
 SIGNALS DURING SYSTEM
 RESET.



These schematics are provided as a design guide only.
 Vadem assumes no responsibility for final system design.

VADEM		
Title VG-469 DESKTOP REF_6 - MICREL POWER OPTION		
Size B	Document Number	Rev 3
Date: Thursday, February 06, 2003	Sheet 5	of 5