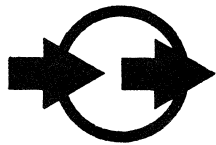


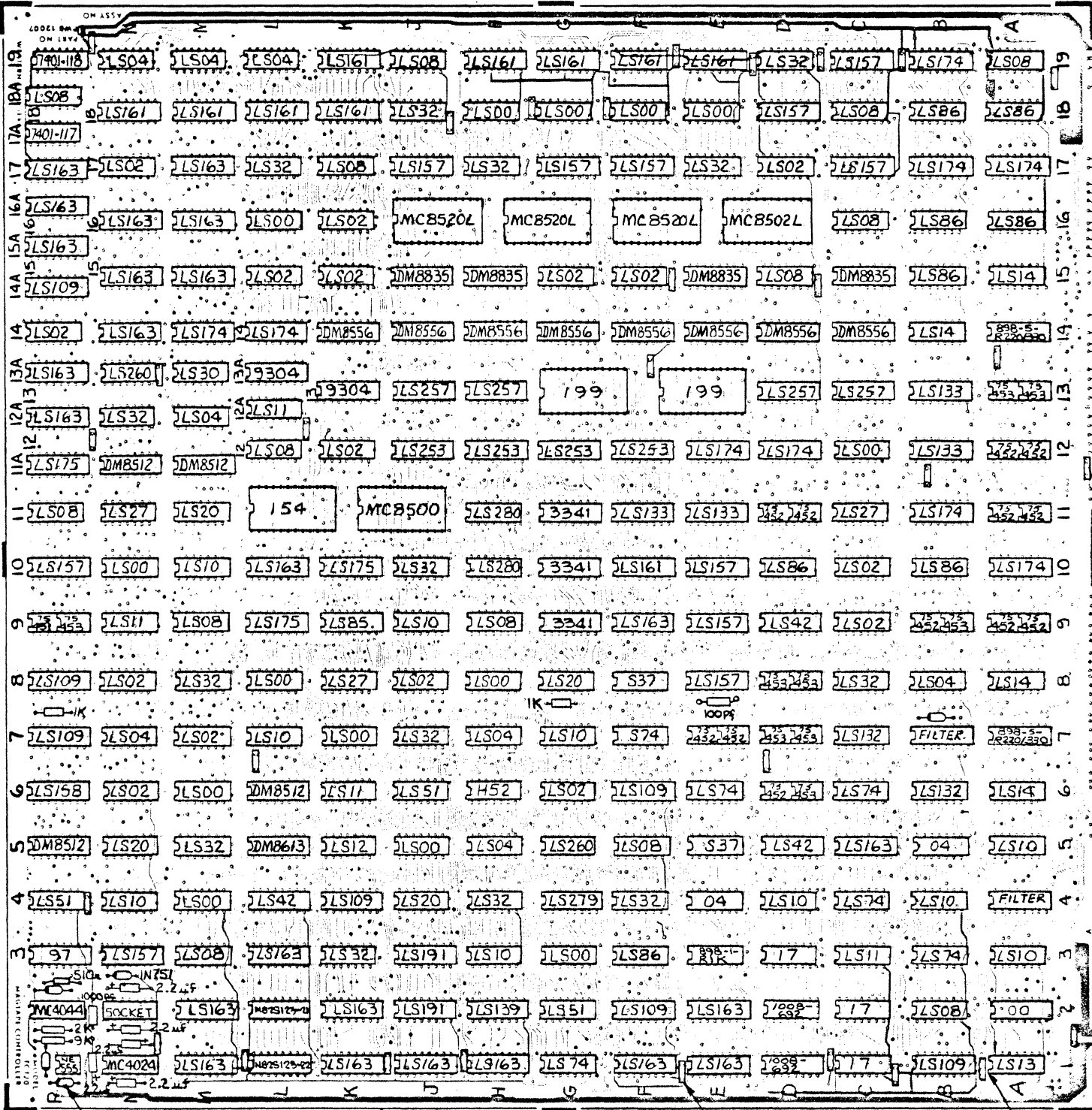
TC-120
NOVA TAPE CONTROLLER
LOGIC MANUAL
PN 120020



western peripherals

1100 CLAUDINA PLACE
ANAHEIM, CALIFORNIA 92805

TC-120
NOVA TAPE CONTROLLER
LOGIC MANUAL
PN 120020



3. ALL I.C.'S ARE 74XXX SERIES
 △ ALL DIODES ARE IN914A
 △ ALL CAPACITORS ARE .22 μF
 NOTE UNLESS OTHERWISE SPECIFIED

APPROVED	DATE	TC 120 TAPE CONTROLLER
SCALE	DATE	120024
CU. NO. 120024		DRW. 1

SWITCH OPERATION DESCRIPTION:

GRAYHILL ON = TOGGLE DEPRESSED TO NUMBER SIDE

CTS ON = TOGGLE POSITIONED TO NUMBER SIDE


SWITCH POSITIONS ID & 2D	SPEED SETTINGS						
	12.5 IPS	25 IPS	37.5 IPS	45 IPS	50 IPS	75 IPS	125 IPS
1	ON	OFF	ON	OFF	ON	OFF	OFF
2	OFF	OFF	OFF	OFF	OFF	ON	OFF
3	OFF	ON	ON	OFF	ON	ON	OFF
4	ON	ON	ON	ON	OFF	ON	ON
5	ON	OFF	ON	ON	ON	OFF	OFF
6	OFF	ON	OFF	OFF	OFF	OFF	OFF
7	ON	OFF	OFF	OFF	OFF	OFF	OFF
8	OFF	OFF	OFF	OFF	OFF	OFF	OFF

NOTES: UNLESS OTHERWISE SPECIFIED

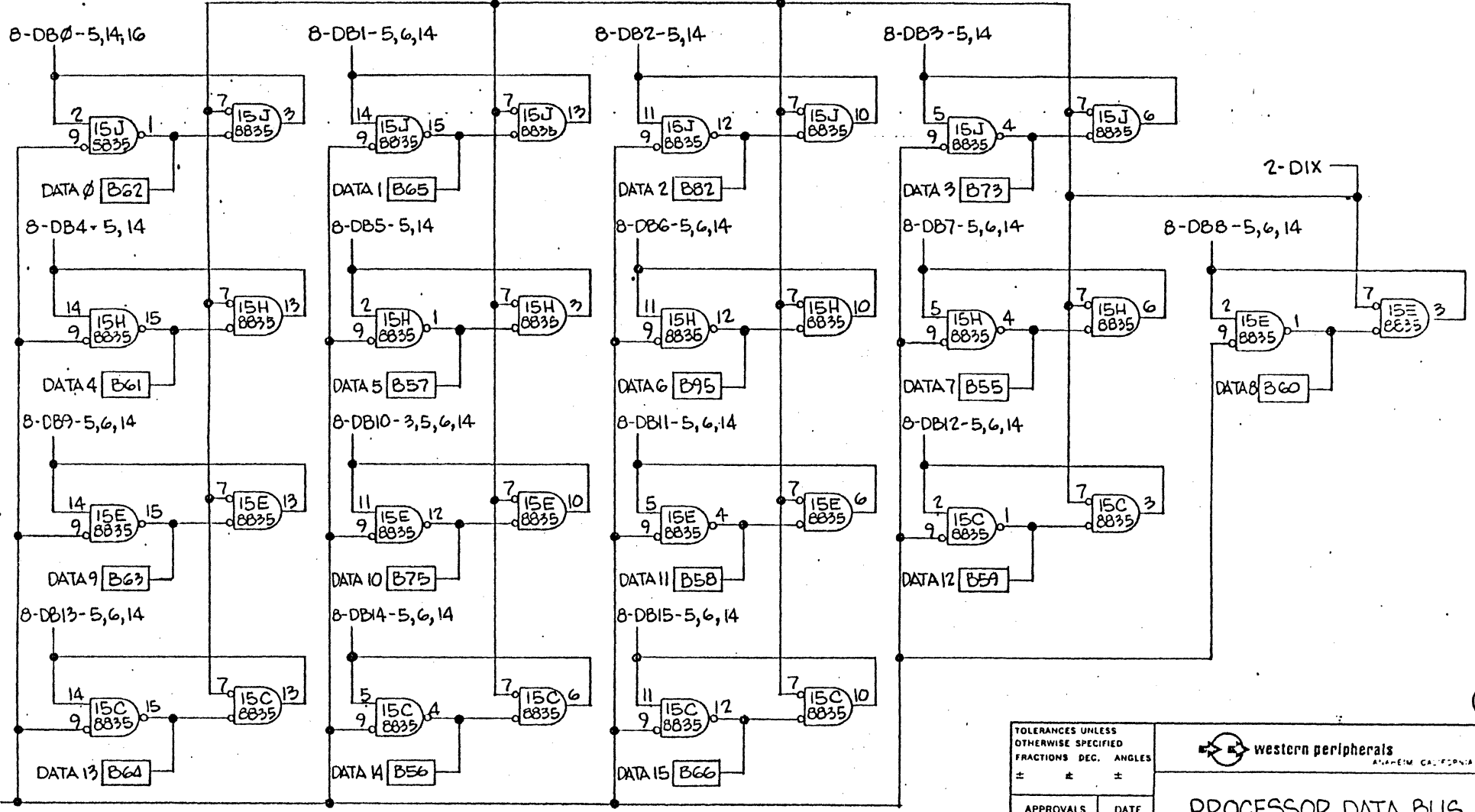
1. ID IS PRIMARY SPEED SELECTION.
2. NEXT ASSEMBLY NO. 120024.
- ③ CUTTING ETCH FROM M TO N CONFIGURES PROCESSOR INTERFACE FOR DEVICE CODE 62. SHOWN CONFIGURED FOR DEVICE CODE 22 (STD).
- ④ CUT JUMPER C TO D AND ADD JUMPER D TO E. MAKES WORD COUNT 16 BITS, SHOWN IN 12 BIT WORD COUNT REG. CONFIGURATION (STD).
- ⑤ CUT JUMPERS A TO B AND G TO F, AND ADD JUMPER F TO H. MAKES 16 BIT ADDRESS REG. CONFIGURATION. SHOWN IN 15 BIT ADDRESS REG. CONFIGURATION (STANDARD).

- ⑥ CUT JUMPER J TO K AND ADD JUMPER K TO L CONFIGURES FOR .3" GAP. 7 TRACK HEAD. SHOWN CONFIGURED FOR .15" GAP TAPE HEAD FOR 7 TRACK TRANSPORT (STANDARD).
- ⑦ FILTER COMPONENT VALUES VARY WITH SPEED OF TRANSPORT. SEE MANUAL FOR FURTHER INFORMATION.
- ⑧ SIGNAL ON PIN FOR USE AS FEED-THRU ONLY.

REVISIONS			
LTR	DESCRIPTION	DATE	APPROVED
A	ECO-0014 ARTWORK CORRECTIONS ECO-0018 ARTWORK CORRECTIONS	12-23-75 1-28-76	JWH
B	ECO-0022 VCO STABILITY	2-9-76	JWH
C	ECO-0044 IDENT'S. MODIFICATION & CORRECT MAXIMAL WRT CLK	2-28-76	JWH
D	ECO-0030 IDENT'S STATUS	5-27-76	JWH
E	ECO-0029 PE SYSTEM RELIABILITY IMPROVEMENT	3-30-76	JWH
F	ECO-0055 CORRECT EARLY PARITY ERROR CHECK & IDENT'S VERIFICATION	5-11-76	JWH
G	ECO-0062 ELIMINATE SPACING ERRORS	5-25-76	JWH
H	ECO-0066 ELIMINATE RACE CONDITION AT RECORD COUNT	6-3-76	JWH
J	ECO-0108 MODIFY SHIFT REGISTER	9-9-76	JWH
K	ECO-0151 IMPROVES NOISE RE- JECTION IN P.E. REDRAWN FOR ADDED CLARITY	1-31-77	
L	ECO-0157 ELIMINATE RACE GLITCH IN SELB (BUSY) CIRCUIT. ECO-0160 ADDS TERMINATION NET- WORKS TO "INTP OUT" & "DCHP" OUT SIGNALS. EDITORIAL CORRECTIONS.	3-30-77	JWH 3-31-77

TOLERANCES UNLESS OTHERWISE SPECIFIED FRACTIONS DEC. ANGLES		 western peripherals <small>ALHAMBRA, CALIFORNIA</small>	
APPROVALS DRAWN HRB 1-31-77 CHECKED W. MGRIN 1-31-77 J		DATE 1-31-77 SCALE SIZE B DRAWING NO. 120016	
		DO NOT SCALE DRAWING	
		SHEET 1 OF 37	

REVISIONS			
LTR	DESCRIPTION	DATE	APPROVED



TOLERANCES UNLESS OTHERWISE SPECIFIED	
FRACTIONS	DEC. ANGLES
±	± ±
APPROVALS	DATE
DRAWN HRB	1-21-77
CHECKED	

①

western peripherals
ANAHEIM, CALIFORNIA

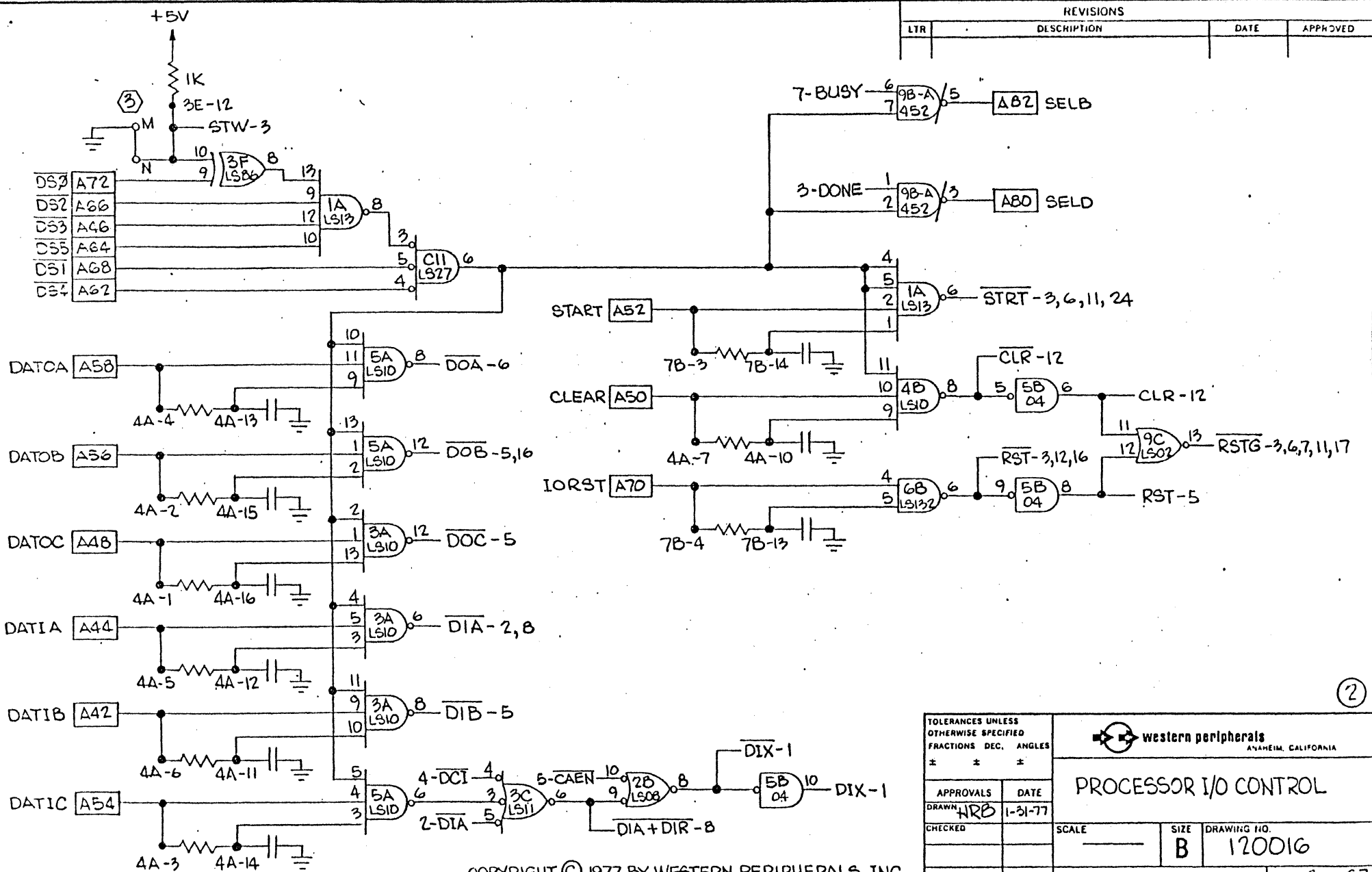
PROCESSOR DATA BUS

SCALE	SIZE	DRAWING NO.
	B	170016

DO NOT SCALE DRAWING

SHEET 2 OF 3

REVISIONS			
LTR	DESCRIPTION	DATE	APPROVED



COPYRIGHT © 1977 BY WESTERN PERIPHERALS, INC.

TOLERANCES UNLESS OTHERWISE SPECIFIED	
FRACTIONS	DEC. ANGLES
±	±
APPROVALS	DATE
DRAWN: HRB	1-31-77
CHECKED	

western peripherals
ANAHEIM, CALIFORNIA

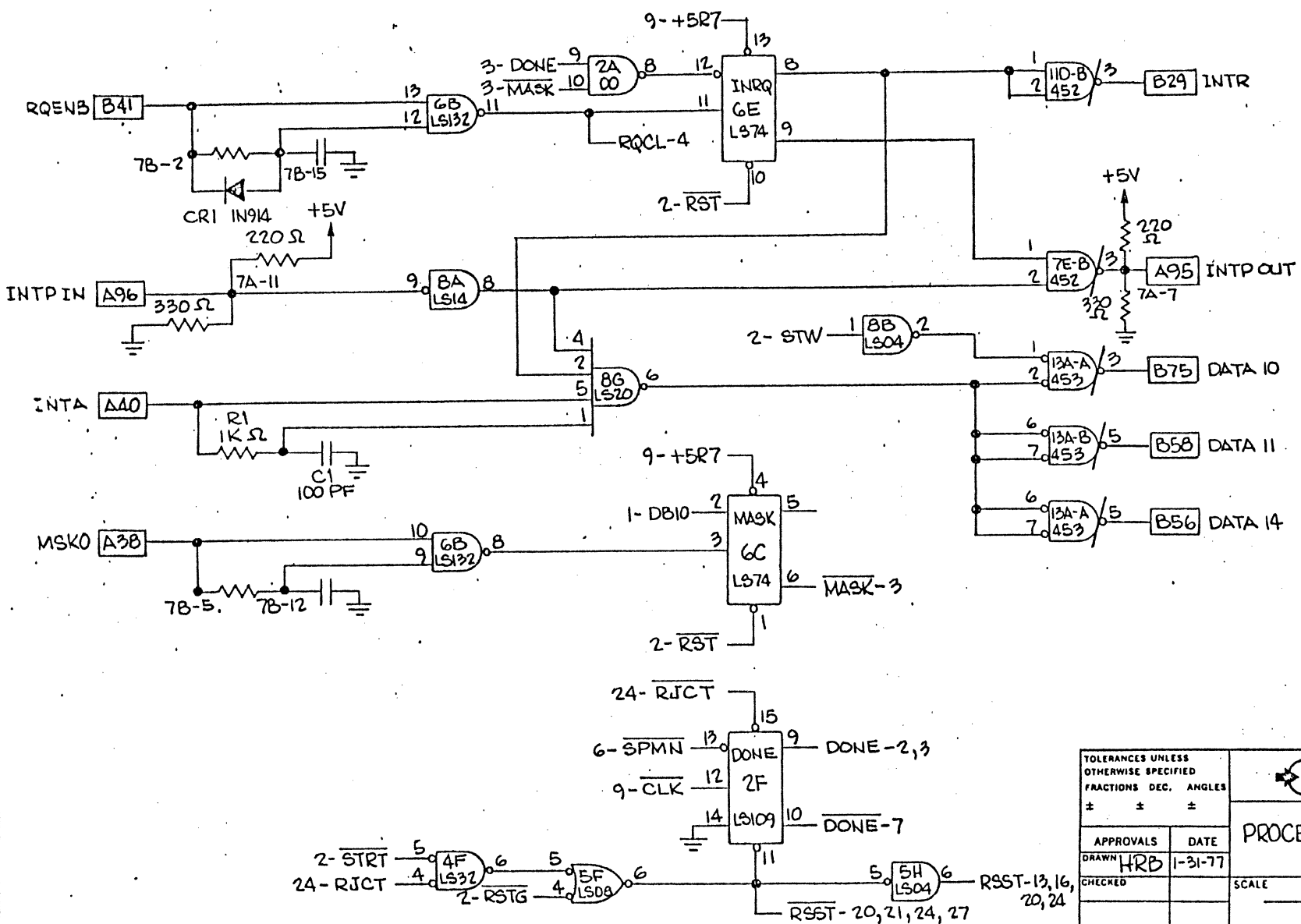
PROCESSOR I/O CONTROL

SCALE: _____ SIZE: **B** DRAWING NO.: **120016**

DO NOT SCALE DRAWING SHEET 3 OF 37

(2)

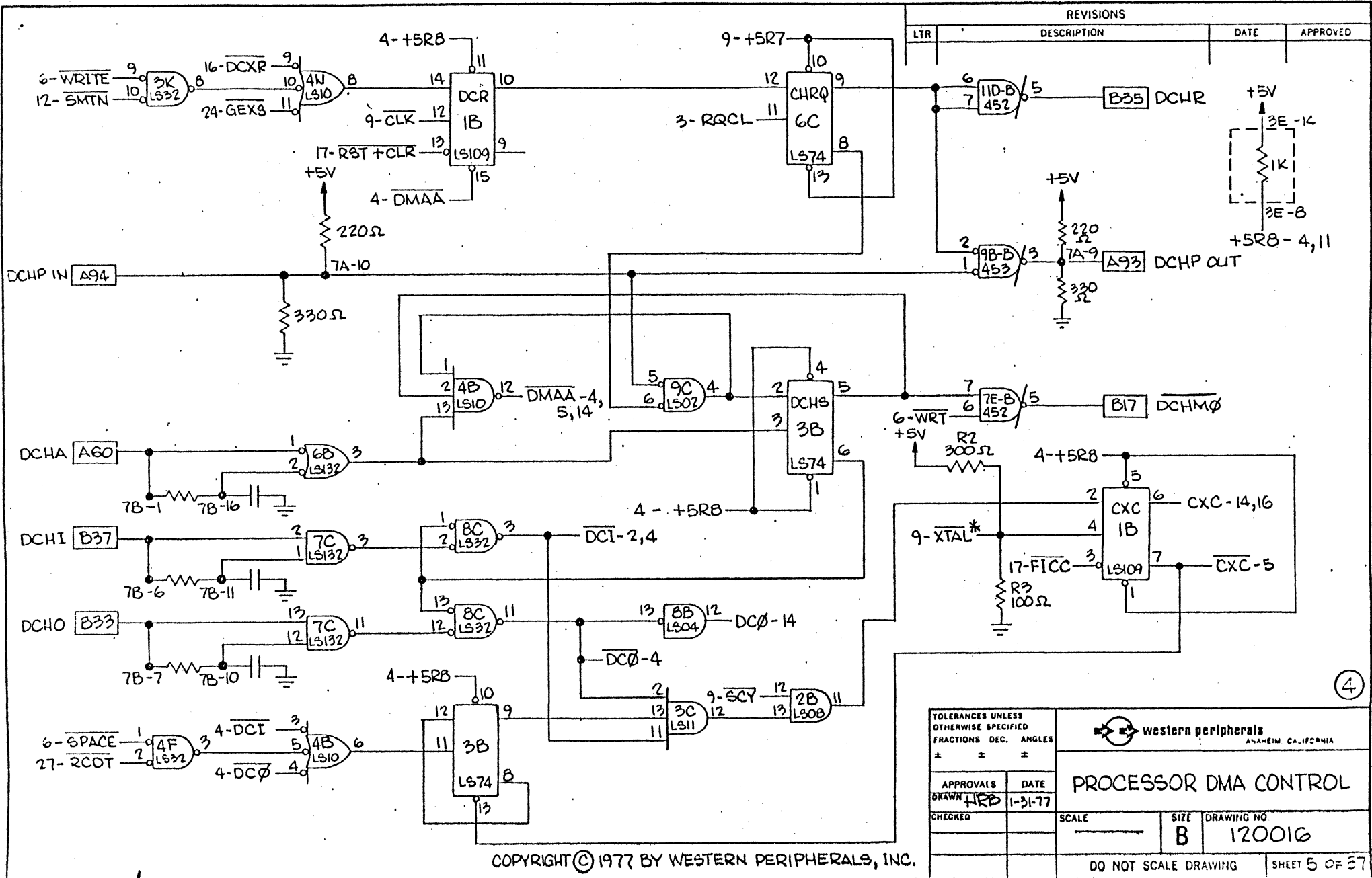
REVISIONS			
LTR	DISCRIPTION	DATE	APPROVED



COPYRIGHT © 1977 BY WESTERN PERIPHERALS, INC.

TOLERANCES UNLESS OTHERWISE SPECIFIED FRACTIONS DEC. ANGLES ± ± ±		 western peripherals ANAHEIM CALIFORNIA	
APPROVALS		DATE	
DRAWN HRB		1-31-77	
CHECKED	SCALE	SIZE	QUANTITY
		B	120016
DO NOT SCALE DRAWING			SMIL & S 57

3



REVISIONS			
LTR	DESCRIPTION	DATE	APPROVED

TOLERANCES UNLESS OTHERWISE SPECIFIED	
FRACTIONS DEC.	ANGLES
±	±
APPROVALS	DATE
DRAWN <i>HRB</i>	1-31-77
CHECKED	

western peripherals
ANAHEIM, CALIFORNIA

PROCESSOR DMA CONTROL

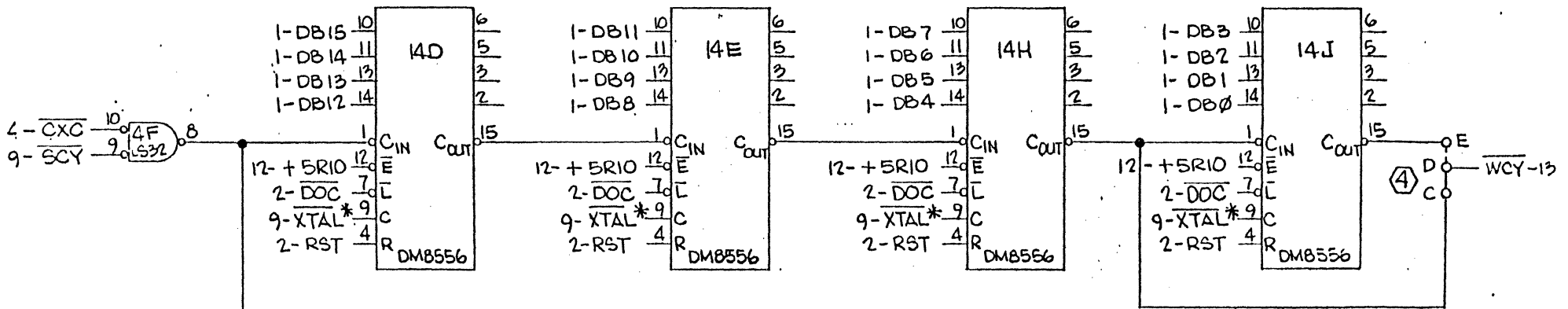
SCALE	SIZE	DRAWING NO.
	B	120016

DO NOT SCALE DRAWING SHEET 5 OF 37

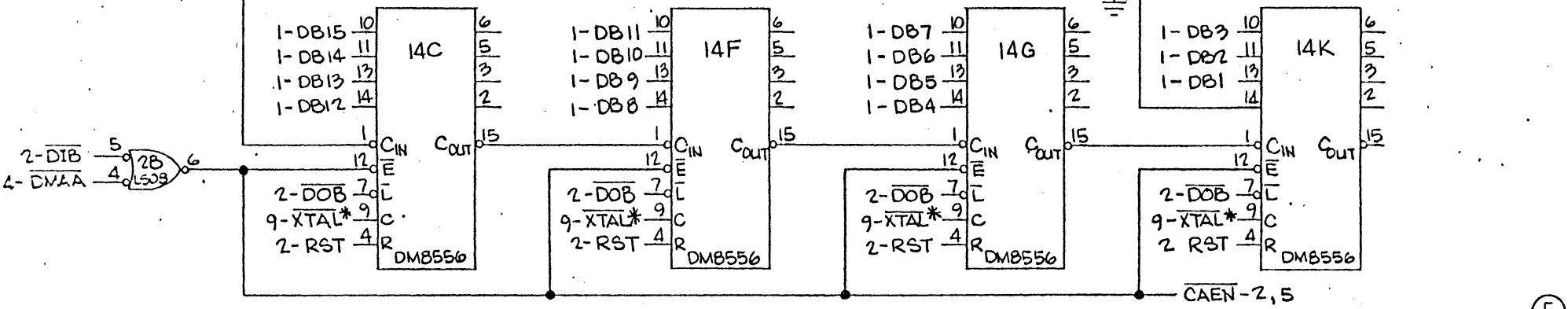
(4)

DMA WORD COUNT REGISTER

REVISIONS			
LTR	DESCRIPTION	DATE	APPROVED

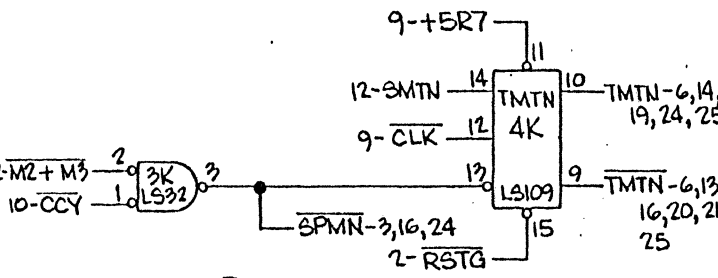
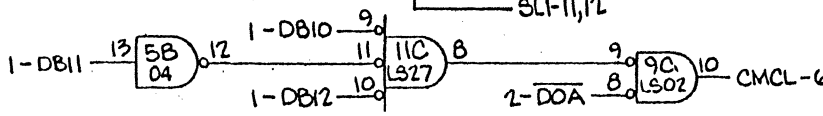
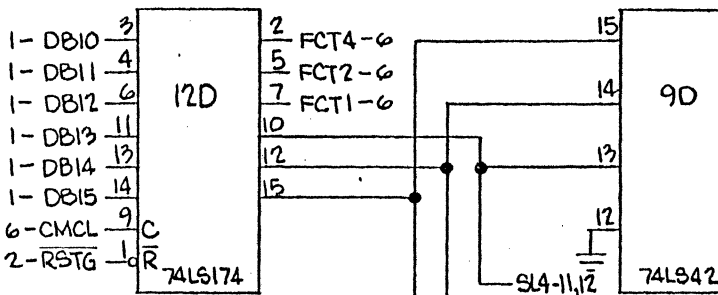
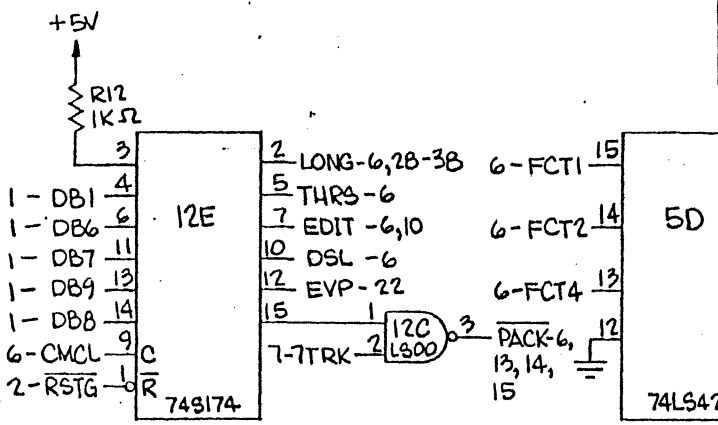
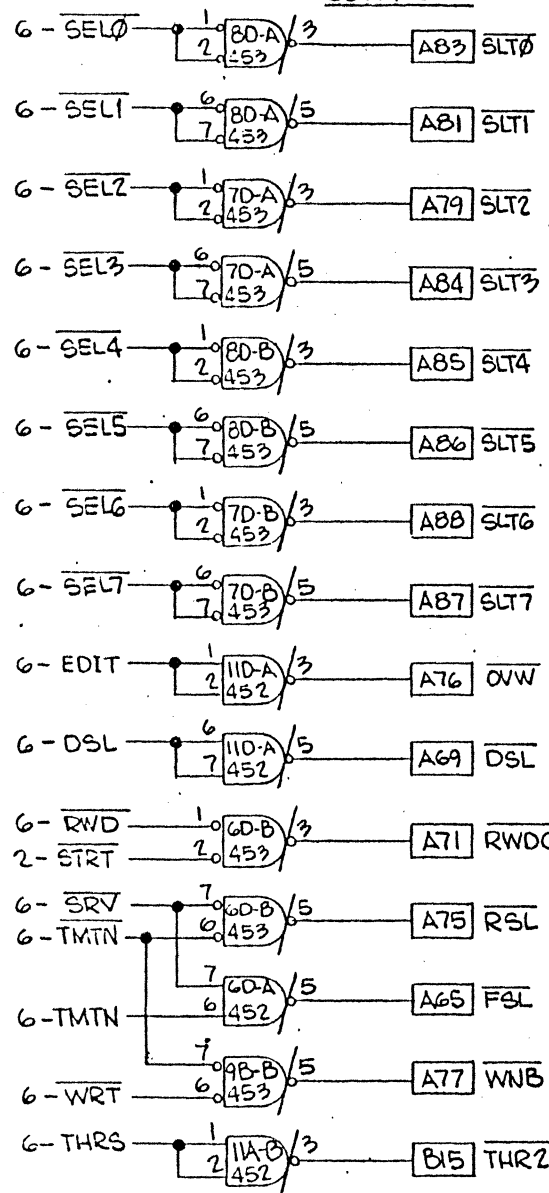


DMA ADDRESS REGISTER

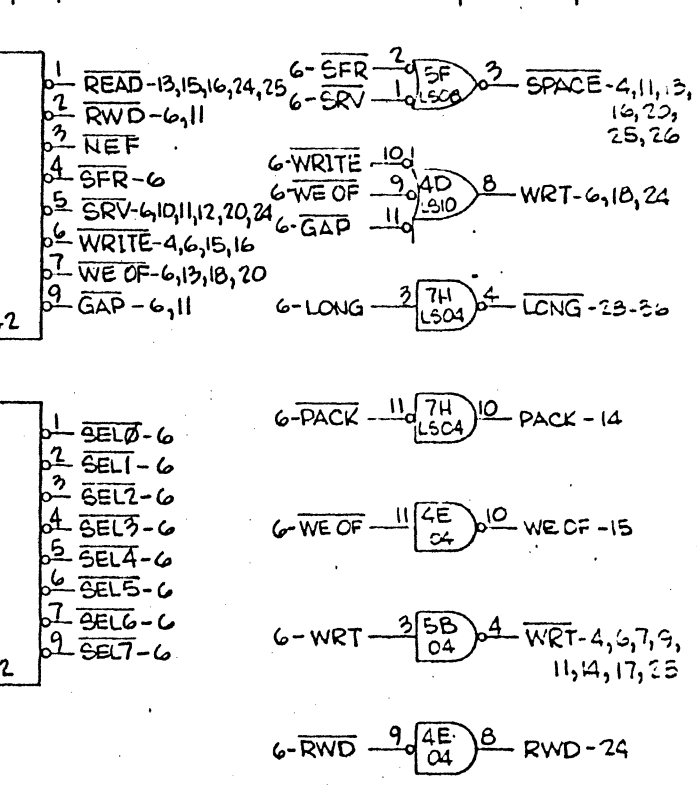


TOLERANCES UNLESS OTHERWISE SPECIFIED FRACTIONS DEC. ANGLES ± ± ±		 western peripherals ANAHEIM, CALIFORNIA	
APPROVALS		DATE	
DRAWN HRB		1-24-77	
CHECKED		SCALE	SIZE B
		DRAWING NO. 170016	
DO NOT SCALE DRAWING			SHEET 3 OF 5

CONTROL

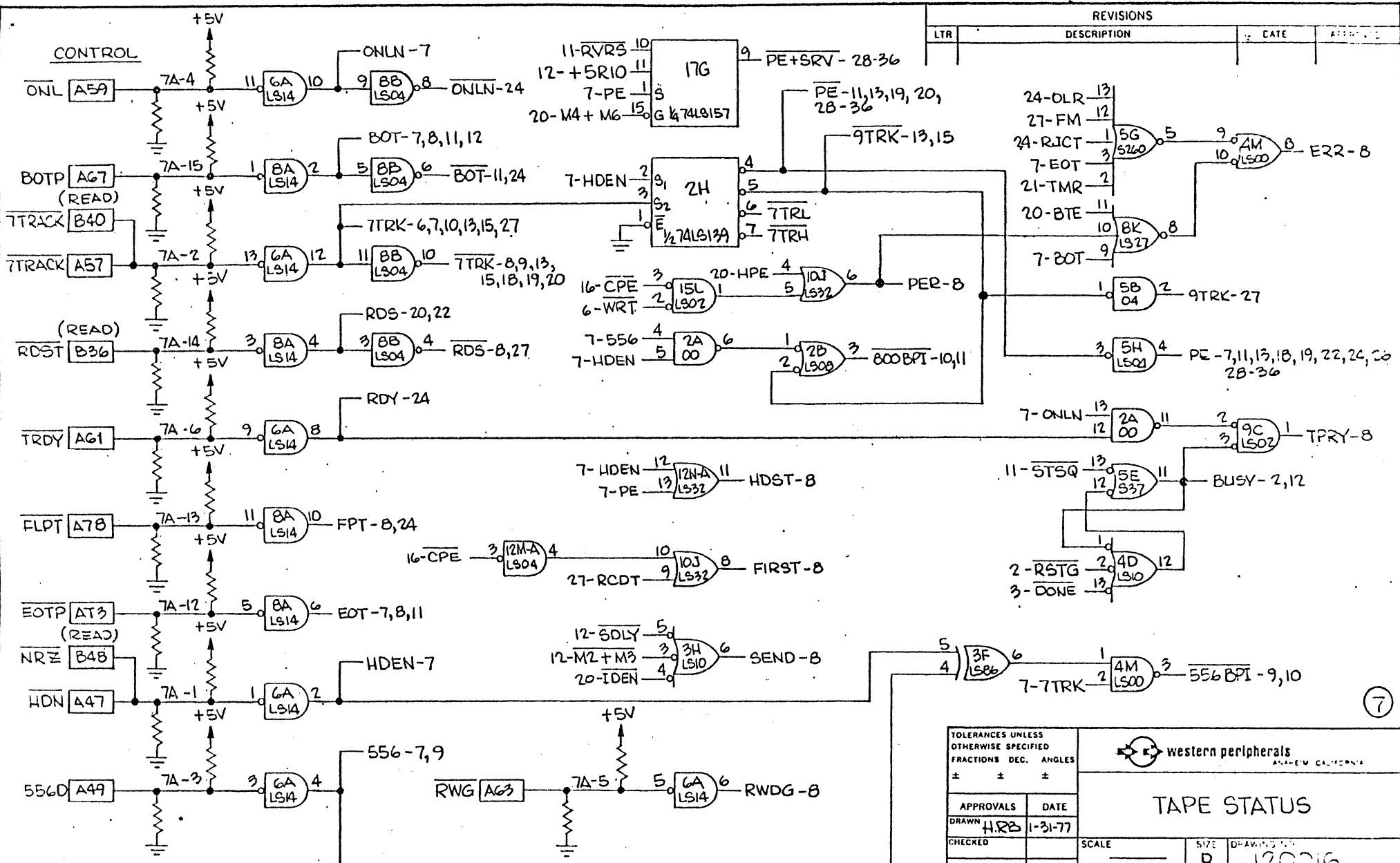


REVISIONS			
LTR	DESCRIPTION	DATE	APPROVED



COPYRIGHT © 1977 BY WESTERN PERIPHERALS, INC.

TOLERANCES UNLESS OTHERWISE SPECIFIED FRACTIONS DEC. ANGLES ± ± ±		western peripherals ANAHEIM CALIFORNIA	
APPROVALS DRAWN HRP 1-31-77		DATE 1-31-77	
CHECKED		SCALE	SIZE B
		DRAWING NO. 120016	
		DO NOT SCALE DRAWING	
		SHEET 7 OF 27	



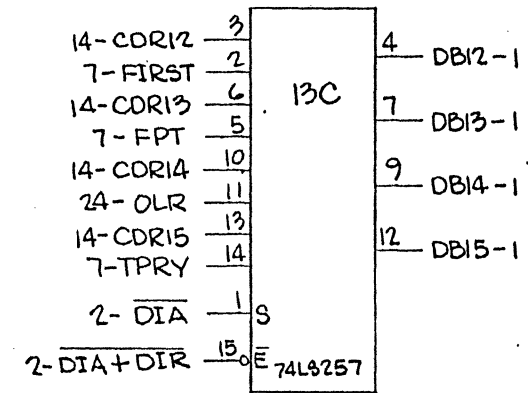
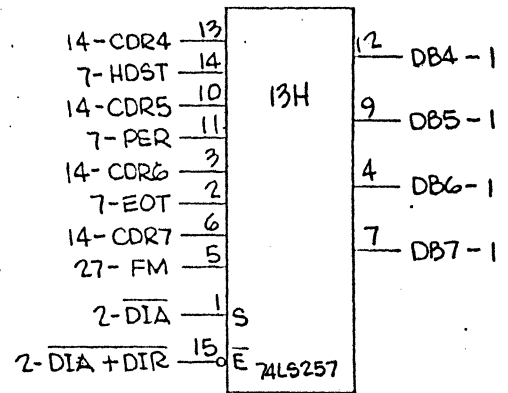
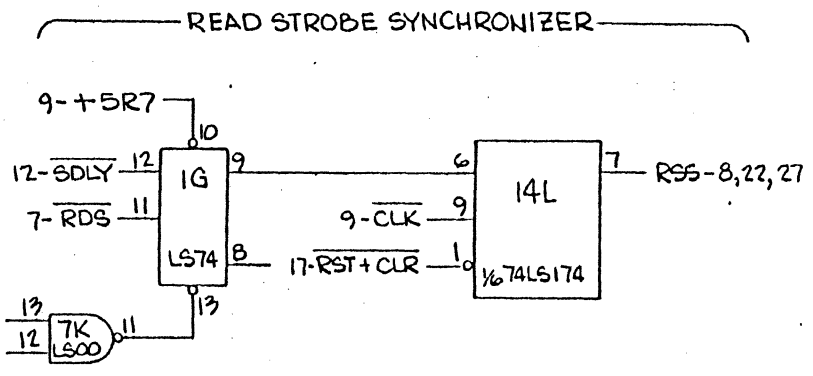
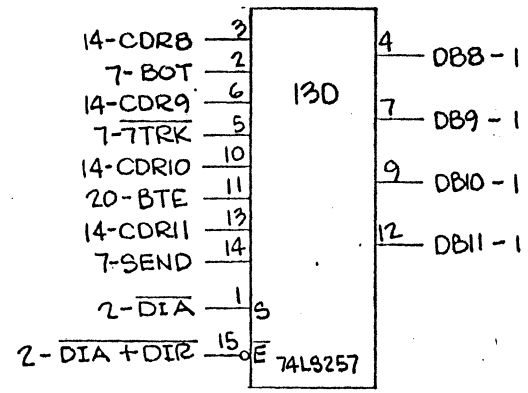
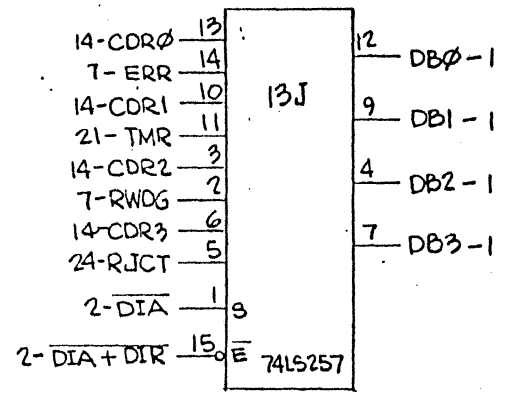
REVISIONS			
LTR	DESCRIPTION	DATE	APPROVED

TOLERANCES UNLESS OTHERWISE SPECIFIED		western peripherals ANAHEIM, CALIFORNIA	
FRACTIONS DEC. ANGLES	± ± ±		
APPROVALS	DATE	TAPE STATUS	
DRAWN H.R.B.	1-31-77		
CHECKED	SCALE	SIZE B	DRAWING NO. 120016
DO NOT SCALE DRAWING		SHEET 5 OF 87	

COPYRIGHT © 1977 BY WESTERN PERIPHERALS, INC.

(7)

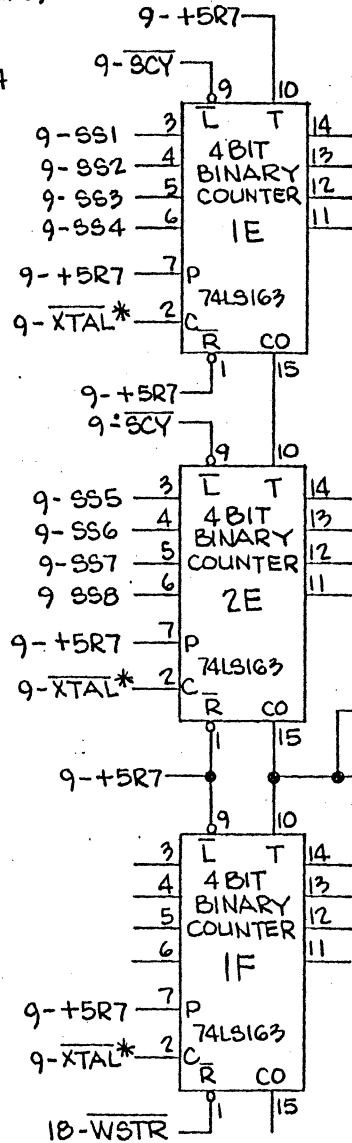
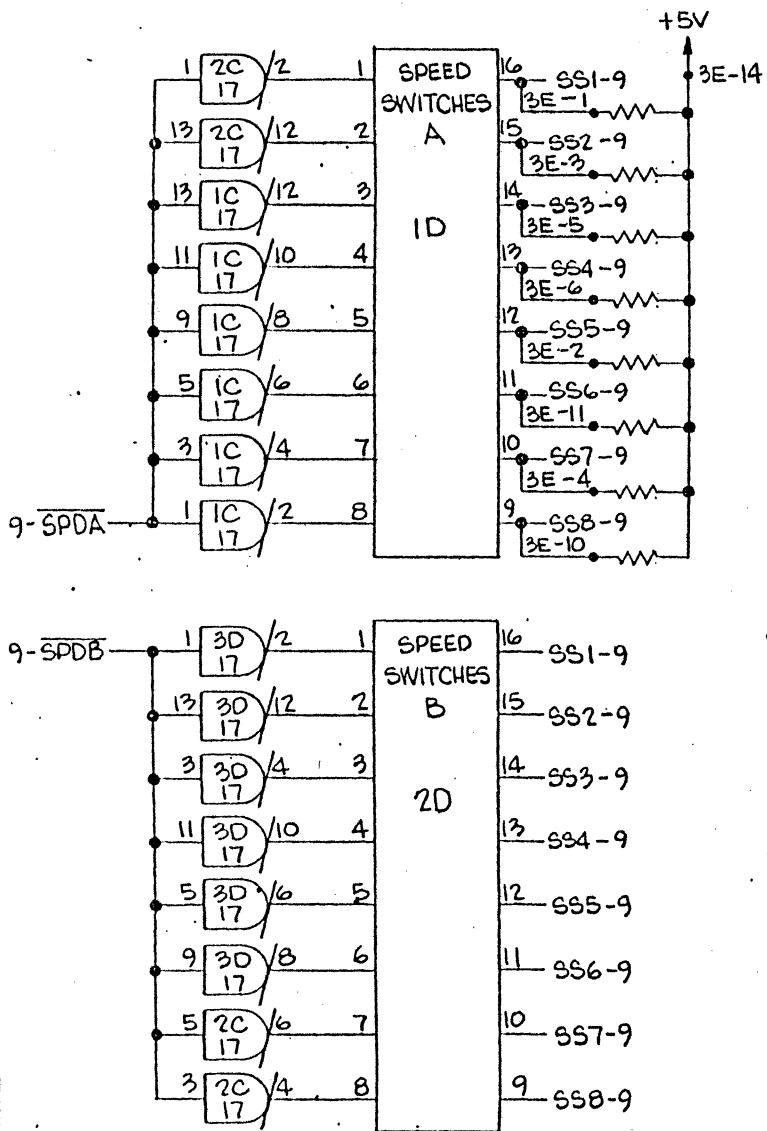
REVISIONS			
LTR	DESCRIPTION	DATE	APPROVED



(8)

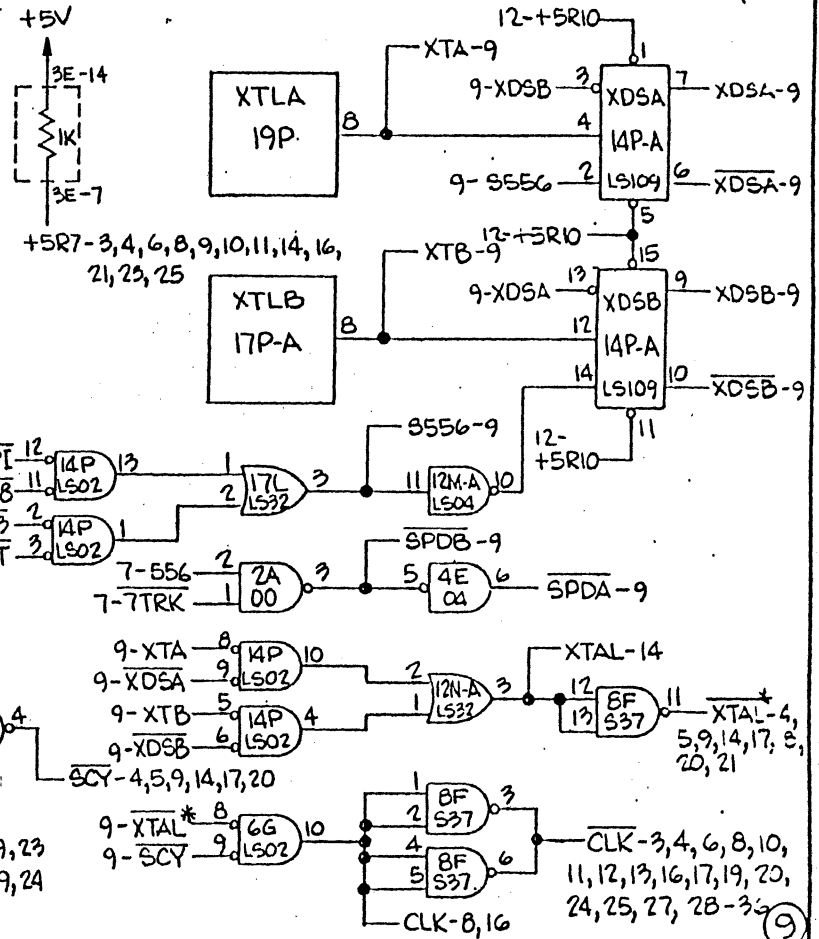
TOLERANCES UNLESS OTHERWISE SPECIFIED		western peripherals ANAHEIM, CALIFORNIA	
FRACTIONS	DEC.	ANGLES	
±	±	±	
APPROVALS	DATE	TAPE STATUS/DATA MULTIPLEXER	
DRAWN HRB	1-31-77	SCALE	SIZE B
CHECKED		DRAWING NO.	120016
		DO NOT SCALE DRAWING	SHEET 9 OF 37

SPEED CLOCK GENERATOR
FREQ = 6400 x SPEED(IPS)



REVISIONS			
LTR	DESCRIPTION	DATE	APPROVED

SYSTEM CLOCK GENERATOR



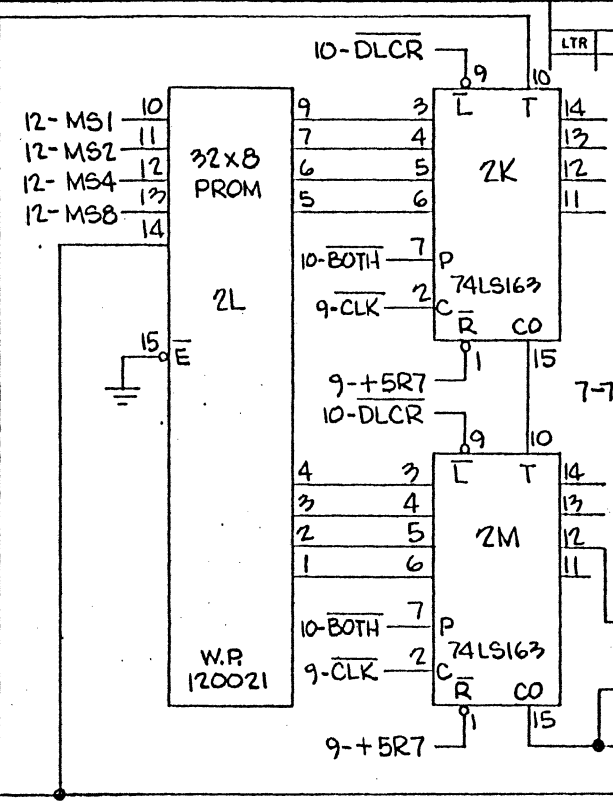
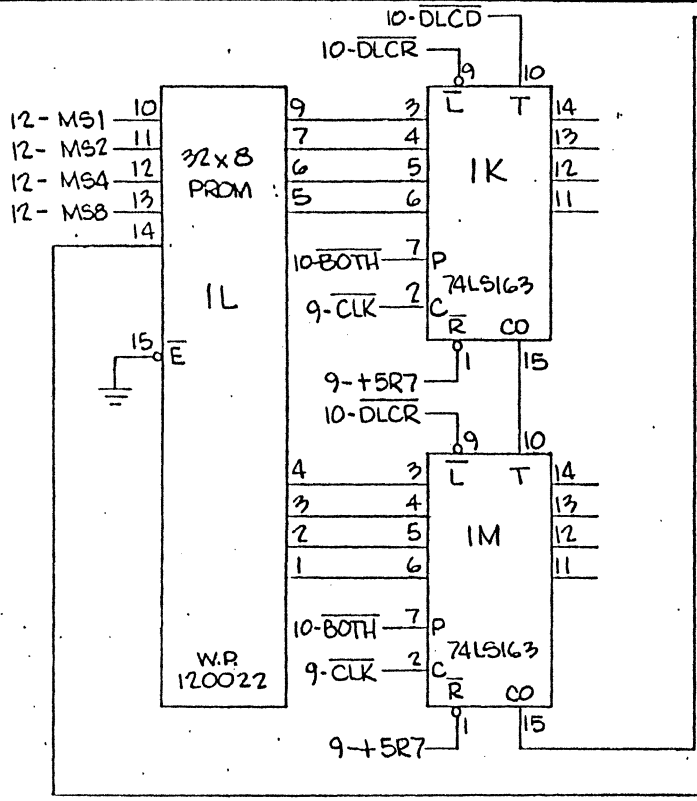
TOLERANCES UNLESS OTHERWISE SPECIFIED
FRACTIONS DEC. ANGLES

western peripherals
ANAHEIM, CA. 92814

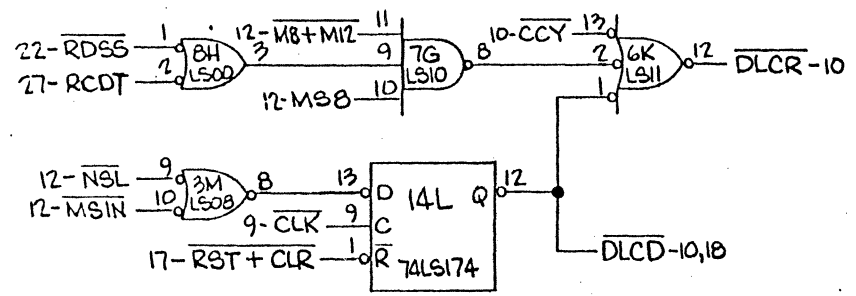
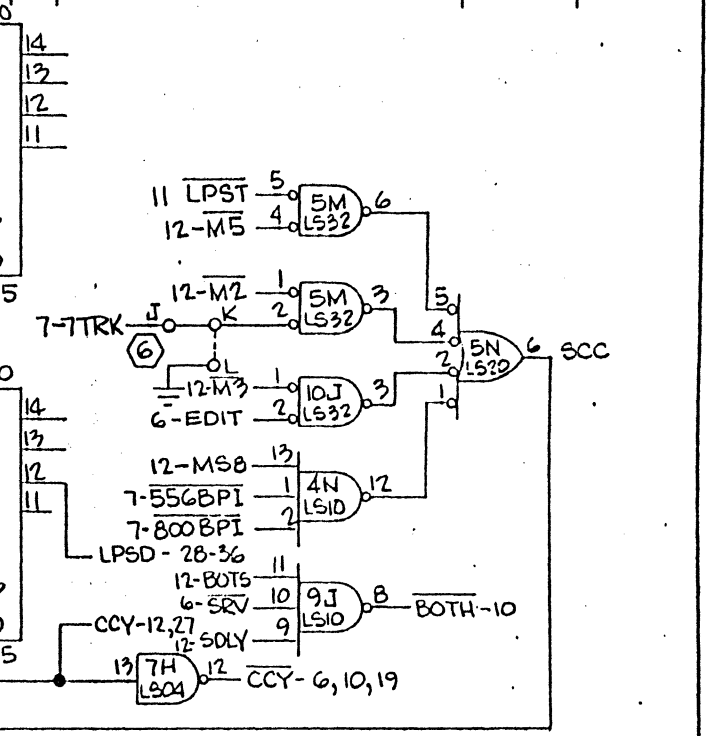
CLOCK GENERATOR AND SPEED CONTROL

APPROVALS	DATE
DRAWN HRB	1-31-77
CHECKED	

SCALE	SIZE	DRAWING NO.
	B	120016
DO NOT SCALE DRAWING		SHEET 10 OF 21



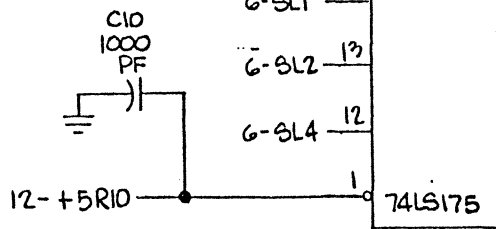
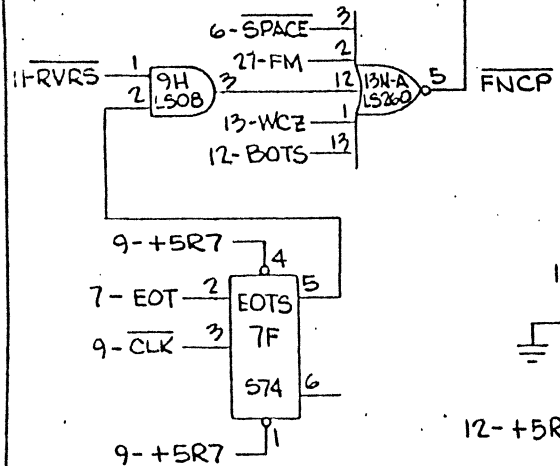
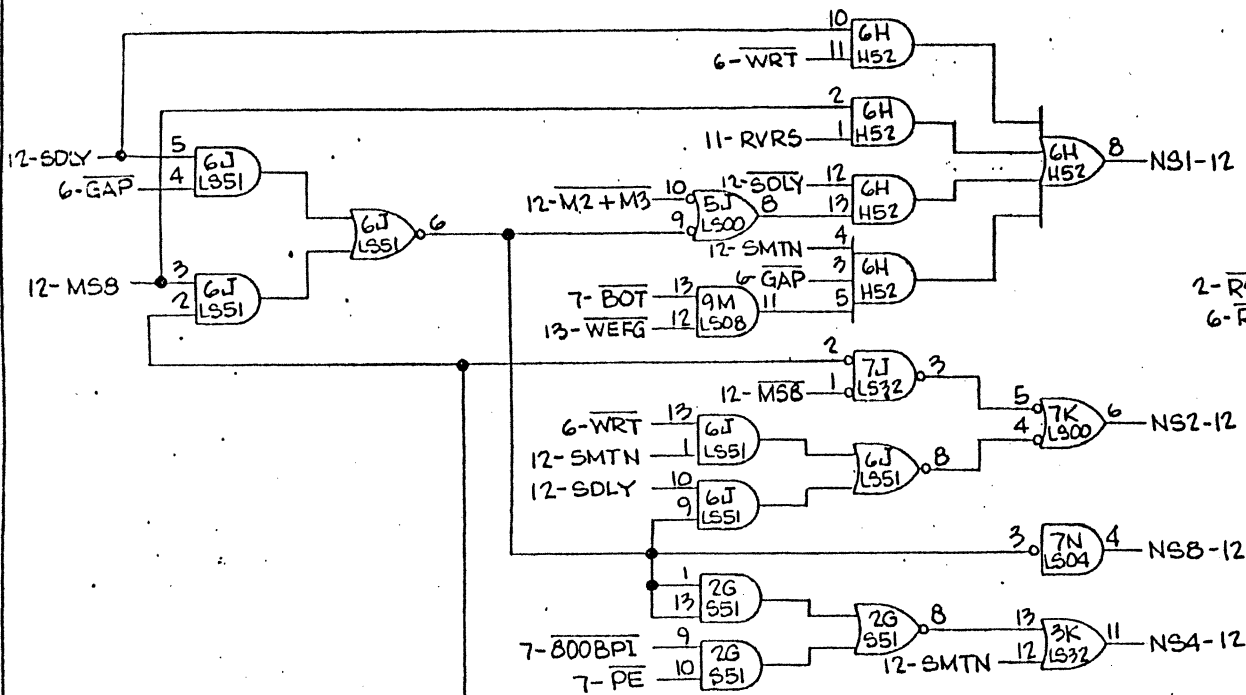
REVISIONS			
LTR	DESCRIPTION	DATE	APPROVED



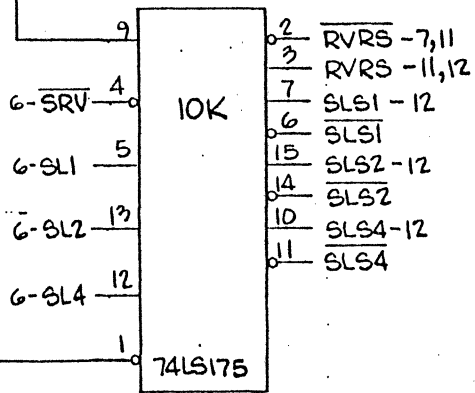
10

TOLERANCES UNLESS OTHERWISE SPECIFIED		western peripherals ANAHEIM, CALIFORNIA		
FRACTIONS DEC.	ANGLES			
±	±	<h1>DELAY GENERATOR</h1>		
APPROVALS	DATE			
DRAWN <i>HRB</i>	1-21-77	SCALE	SIZE	DRAWING NO.
CHECKED			B	120016
		DO NOT SCALE DRAWING		SHEET 11 OF 27

STATE CHANGE CONTROL

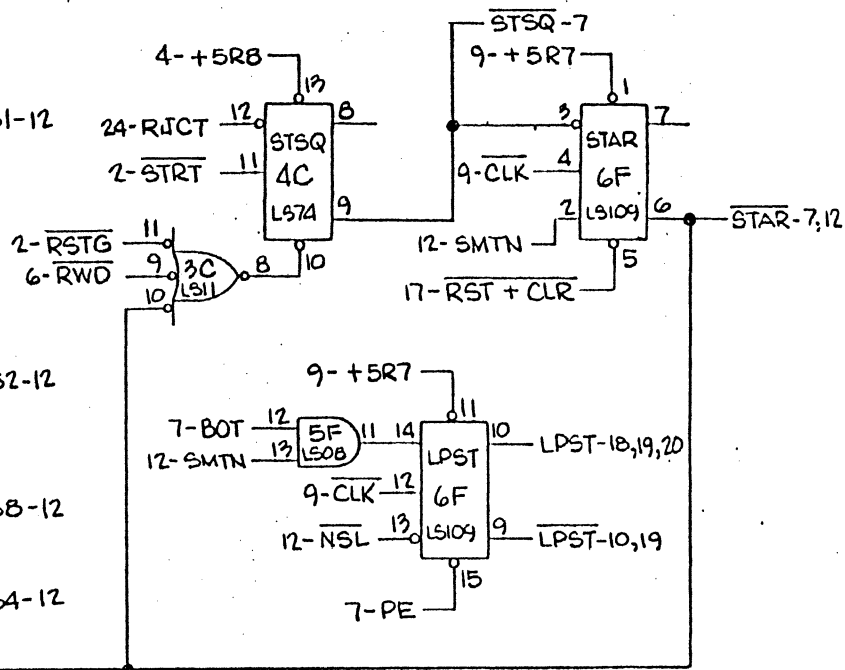


AUTOMATIC NON-STOP CONTROL



REVISIONS			
LTR	DESCRIPTION	DATE	AFFPG-ED

START SYNCHRONIZER



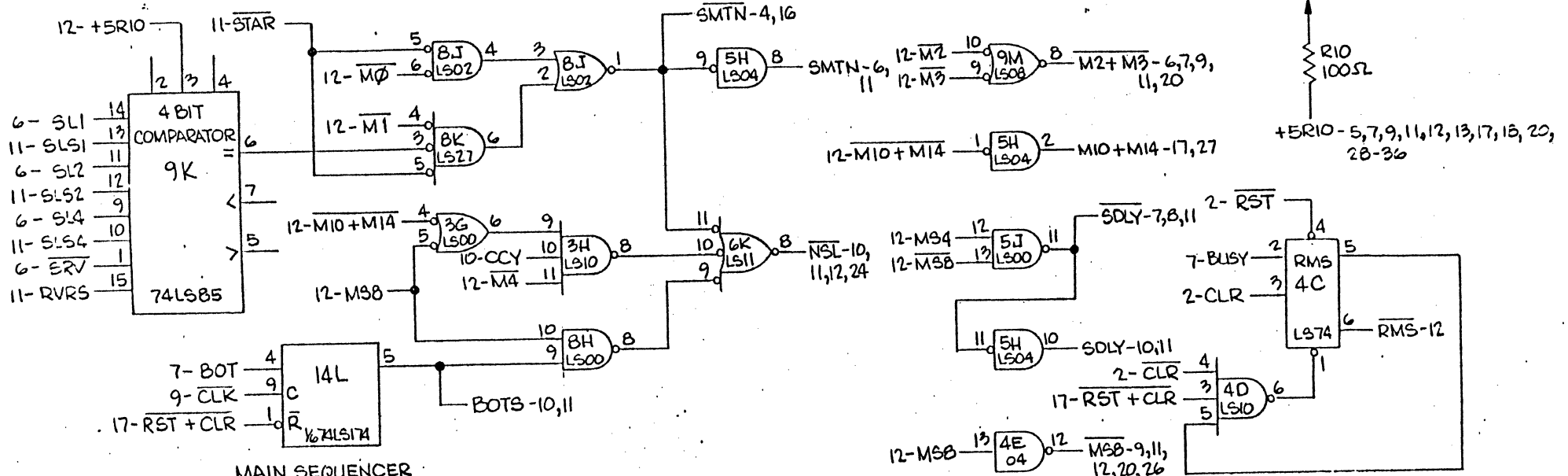
11

TOLERANCES UNLESS OTHERWISE SPECIFIED FRACTIONS DEC. ANGLES		western peripherals <small>ANAHIM, CALIFORNIA</small>	
APPROVALS	DATE	<h2 style="text-align: center;">MAIN SEQUENCER</h2>	
DRAWN HRB	1-31-77		
CHECKED		SCALE	SIZE B
			DRAWING NO. 120016
DO NOT SCALE DRAWING			SHEET 12 OF 27

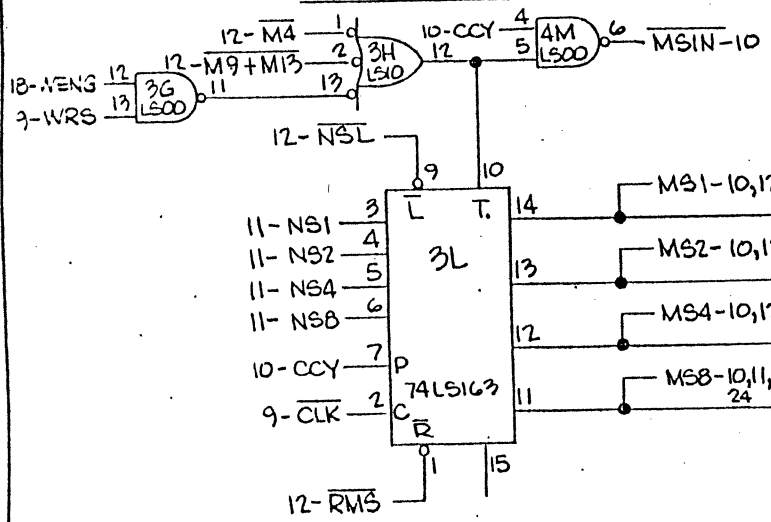
AUTOMATIC NON-STOP CONTROL

MAIN SEQUENCER CHANGE CONTROL

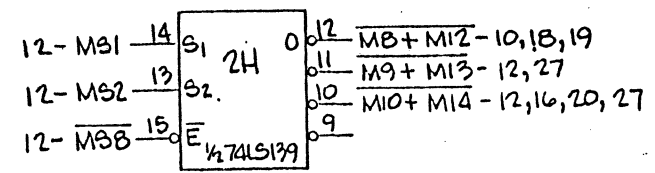
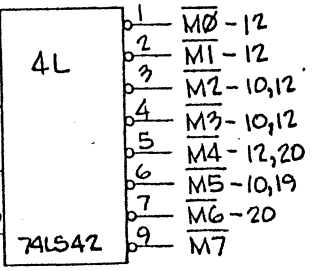
REVISIONS			
LTR	DESCRIPTION	DATE	APPROVED



MAIN SEQUENCER COUNTER REGISTER

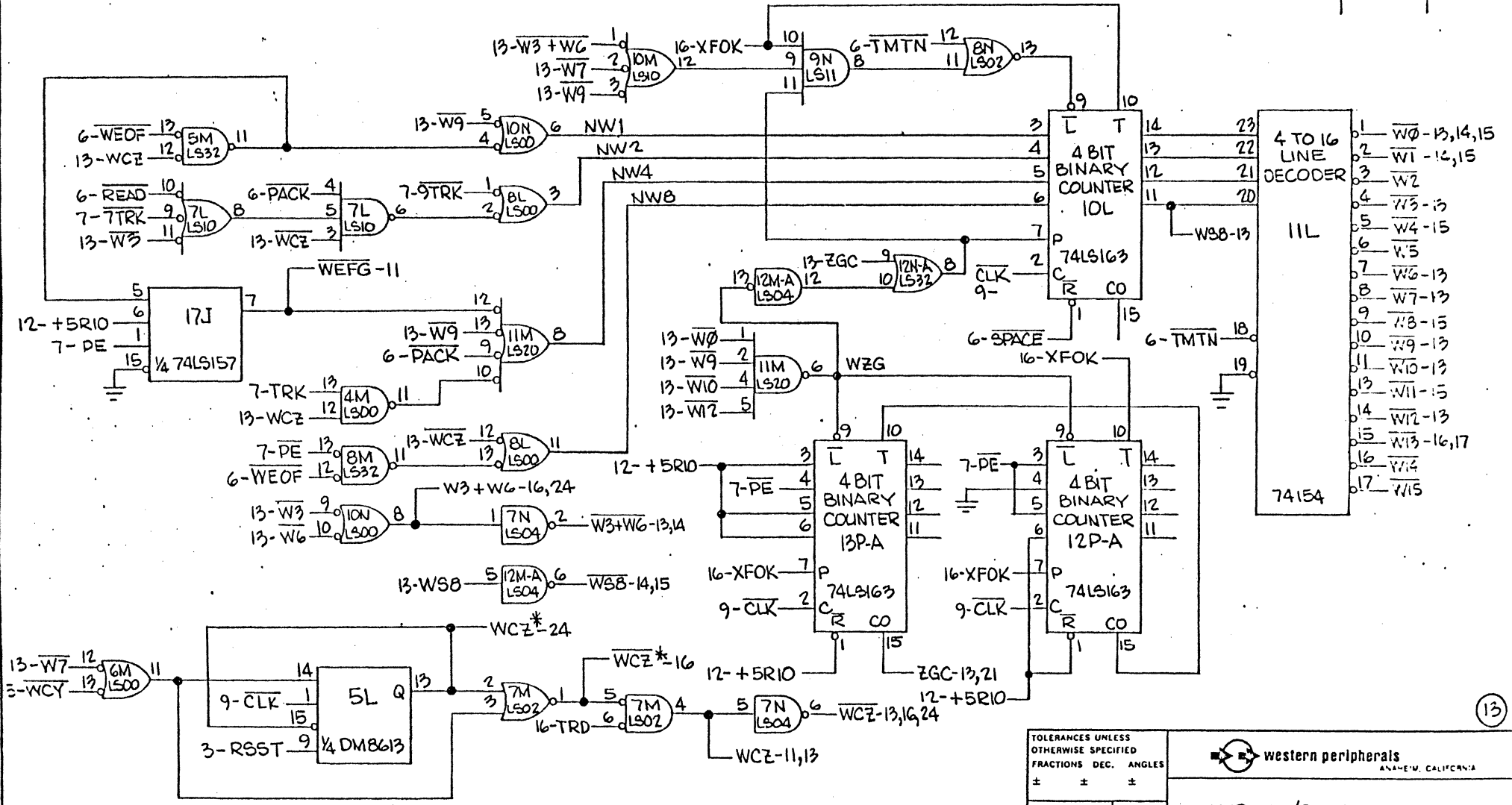


MAIN SEQUENCER STATE DECODES



TOLERANCES UNLESS OTHERWISE SPECIFIED FRACTIONS DEC. ANGLES ± ± ±		western peripherals ANAHEIM CALIFORNIA	
APPROVALS DRAWN HRB CHECKED		DATE 1-31-77 SCALE _____ SIZE B DRAWING NO. 120013	
MAIN SEQUENCER		DO NOT SCALE DRAWING SHEET 13 OF 37	

REVISIONS			
LTR	DESCRIPTION	DATE	APPROVED



TOLERANCES UNLESS OTHERWISE SPECIFIED	
FRACTIONS DEC.	ANGLES
± ± ±	± ± ±
APPROVALS	DATE
DRAWN: HPB	1-31-77
CHECKED	SCALE

western peripherals
ANAHEIM, CALIFORNIA

WRITE/READ SEQUENCER

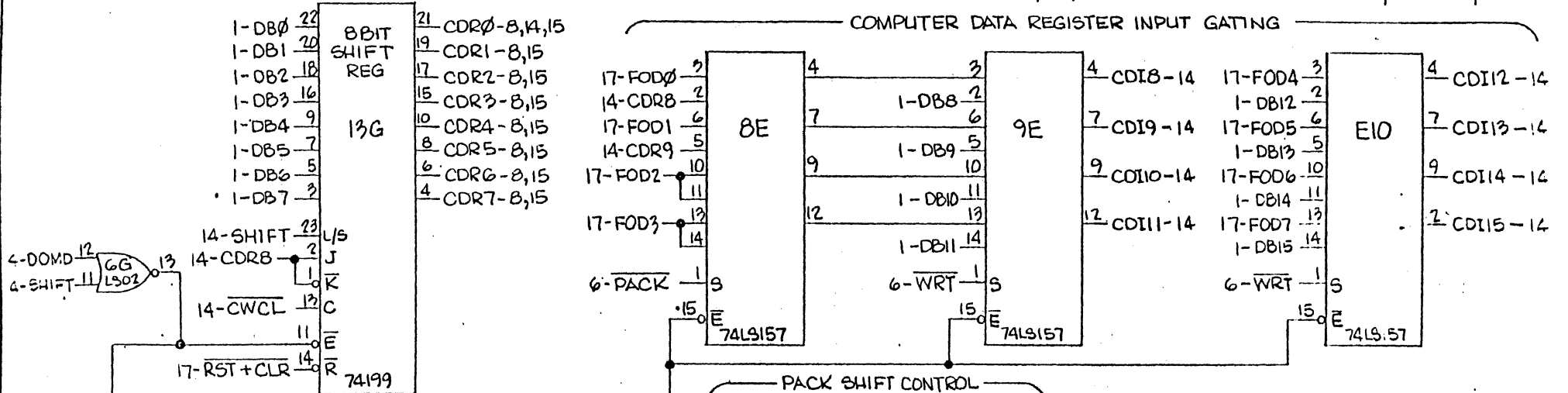
SCALE	SIZE	DRAWING NO.
	B	120016
DO NOT SCALE DRAWING		SHEET 1 OF 3

COPYRIGHT © 1977 BY WESTERN PERIPHERALS, INC.

COMPUTER DATA REGISTER

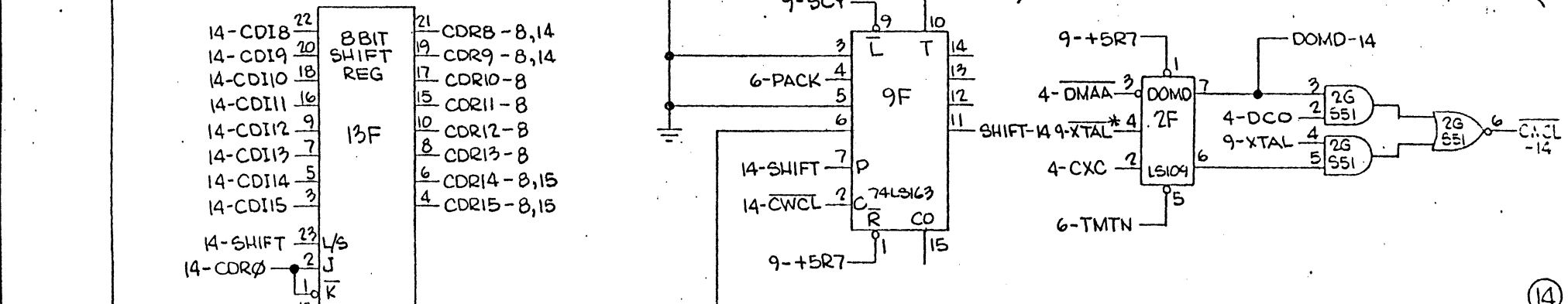
REVISIONS			
LTR	DESCRIPTION	DATE	APPROVED

COMPUTER DATA REGISTER INPUT GATING



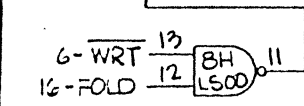
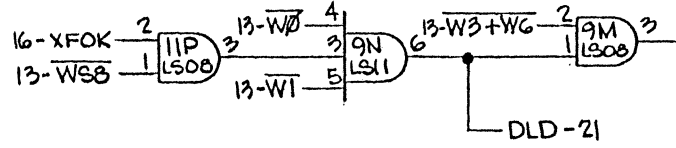
PACK SHIFT CONTROL

COMPUTER DATA REGISTER CLOCK CONTROL



- 14-CDI8 22
- 14-CDI9 20
- 14-CDI10 18
- 14-CDI11 16
- 14-CDI12 9
- 14-CDI13 7
- 14-CDI14 5
- 14-CDI15 3
- 21-CDR8-8,14
- 19-CDR9-8,14
- 17-CDR10-8
- 15-CDR11-8
- 10-CDR12-8
- 8-CDR13-8
- 6-CDR14-8,15
- 4-CDR15-8,15

- 14-CDI8 22
- 14-CDI9 20
- 14-CDI10 18
- 14-CDI11 16
- 14-CDI12 9
- 14-CDI13 7
- 14-CDI14 5
- 14-CDI15 3
- 21-CDR0-8,14,15
- 19-CDR1-8,15
- 17-CDR2-8,15
- 15-CDR3-8,15
- 10-CDR4-8,15
- 8-CDR5-8,15
- 6-CDR6-8,15
- 4-CDR7-8,15



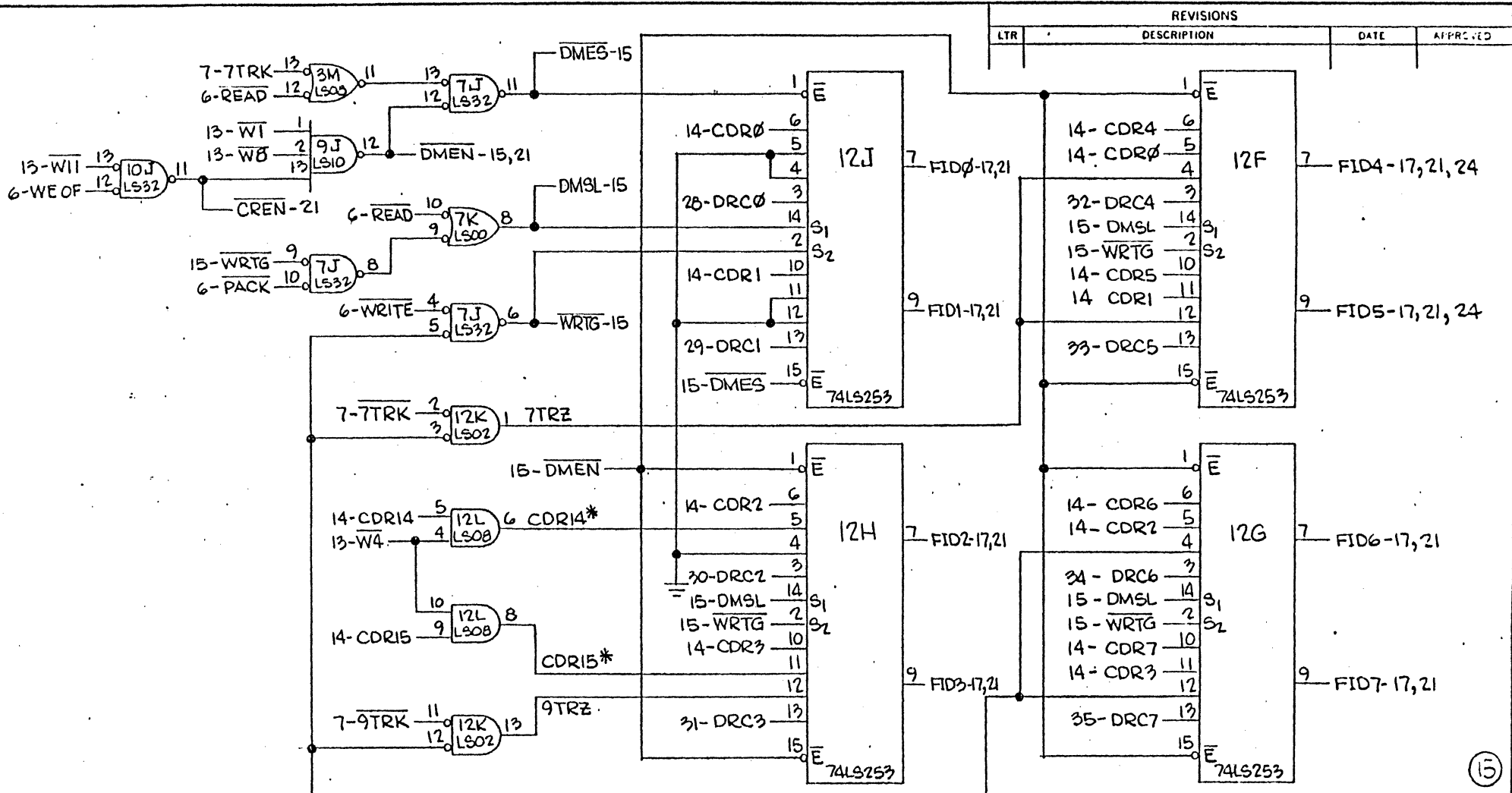
TOLERANCES UNLESS OTHERWISE SPECIFIED	
FRACTIONS DEC.	ANGLES
± ±	±
APPROVALS	DATE
DRAWN HRB	1-31-77
CHECKED	SCALE

western peripherals
ANAHEIM, CALIFORNIA

PROCESSOR DATA REGISTER AND CONTROL

SIZE	DRAWING NO	SHEET	OF
B	120016	15	37

DO NOT SCALE DRAWING



REVISIONS			
LTR	DESCRIPTION	DATE	APPROVED

TOLERANCES UNLESS OTHERWISE SPECIFIED
 FRACTIONS DEC. ANGLES
 ± ± ±

western peripherals
 ANAHEIM CALIFORNIA

**FIFO INPUT MULTIPLEXER
 FILE MARK GENERATOR**

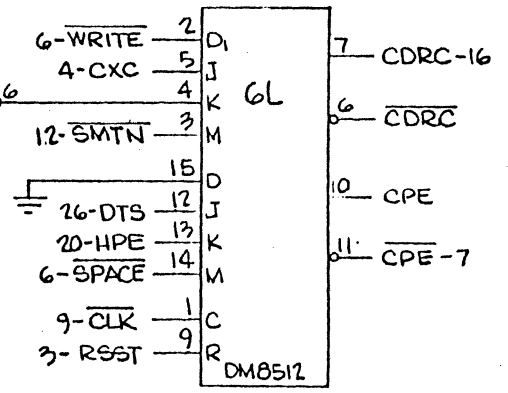
APPROVALS	DATE
DRAWN HRB	1-31-77
CHECKED	

SCALE _____ SIZE **B** DRAWING NO. **120016**

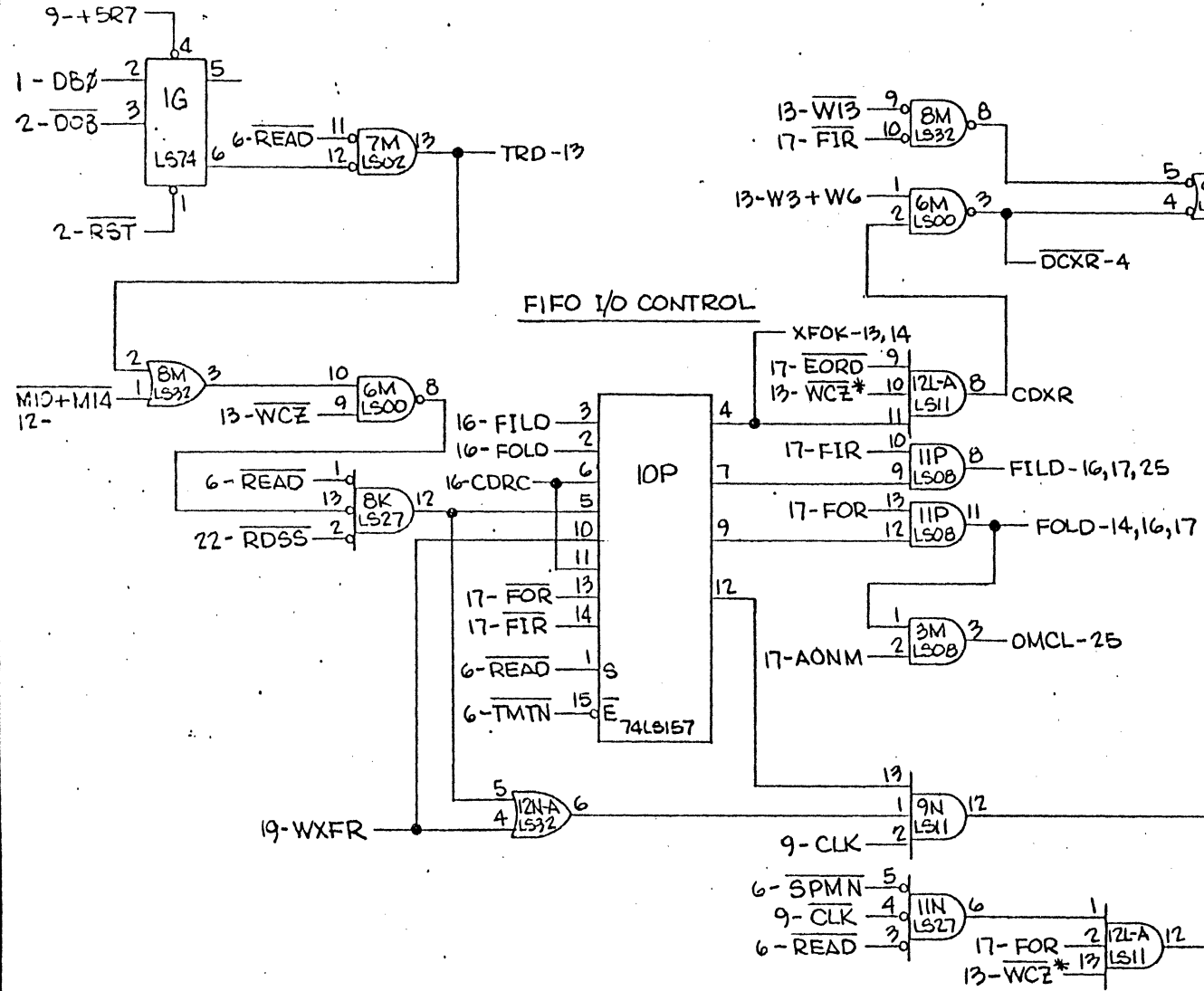
DO NOT SCALE DRAWING SHEET 16 of 27

REVISIONS			
LTR	DESCRIPTION	DATE	APPROVED

COMPUTER DATA REGISTER CONTROL



FIFO I/O CONTROL



(13)

TOLERANCES UNLESS OTHERWISE SPECIFIED
 FRACTIONS DEC. ANGLES
 ± ± ±

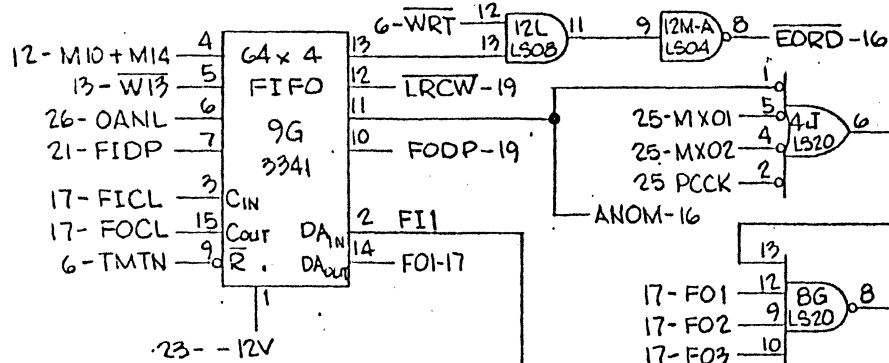
western peripherals
 ANAHEIM, CALIFORNIA

FIFO I/O CONTROL

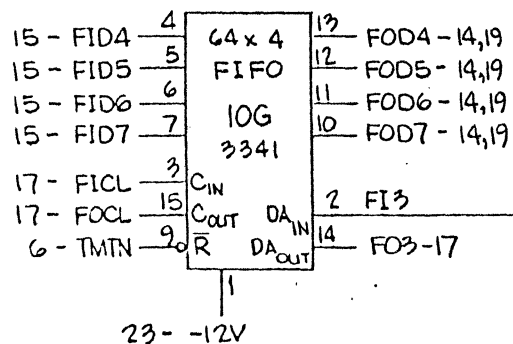
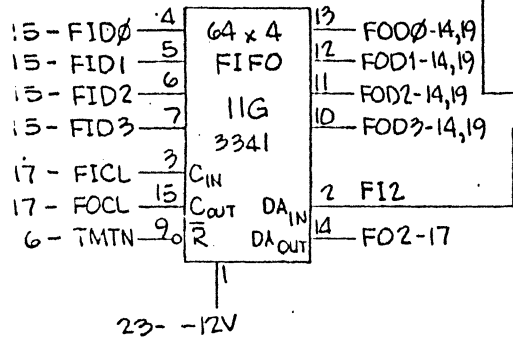
APPROVALS	DATE	SCALE	SIZE	DRAWING NO.
HRB	1-31-77		B	120016
CHECKED				

DO NOT SCALE DRAWING SHEET 17 OF 27

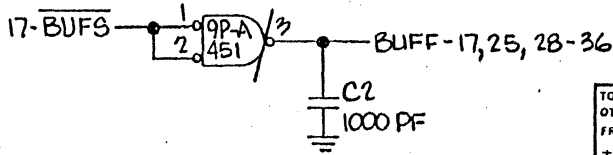
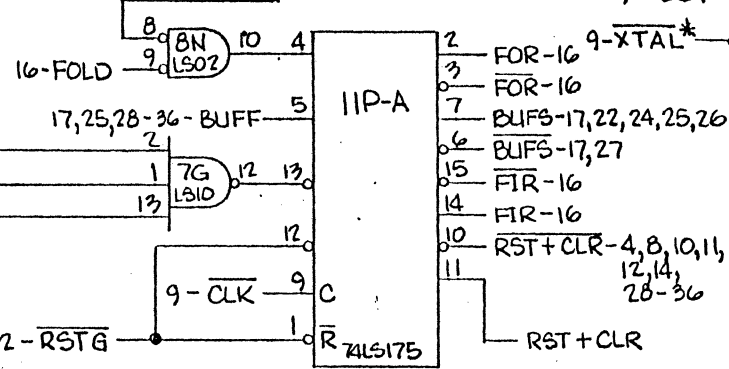
CONTROL FIFO



DATA FIFO'S

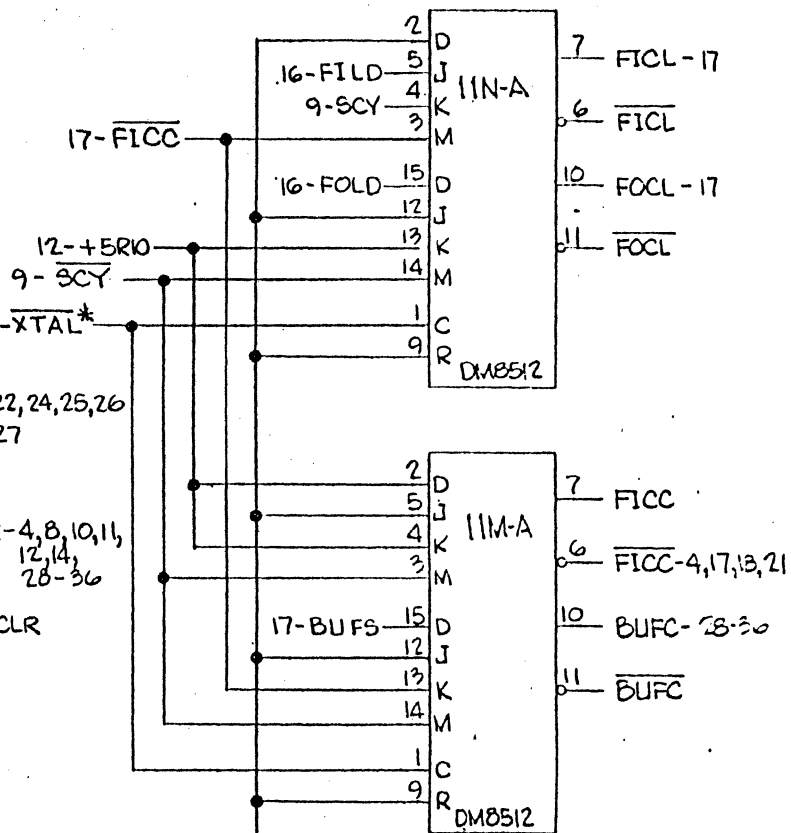


FIFO STATUS SYNCHRONIZER



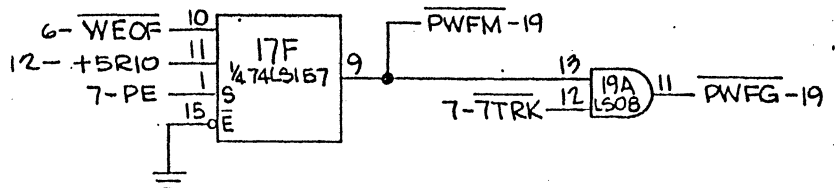
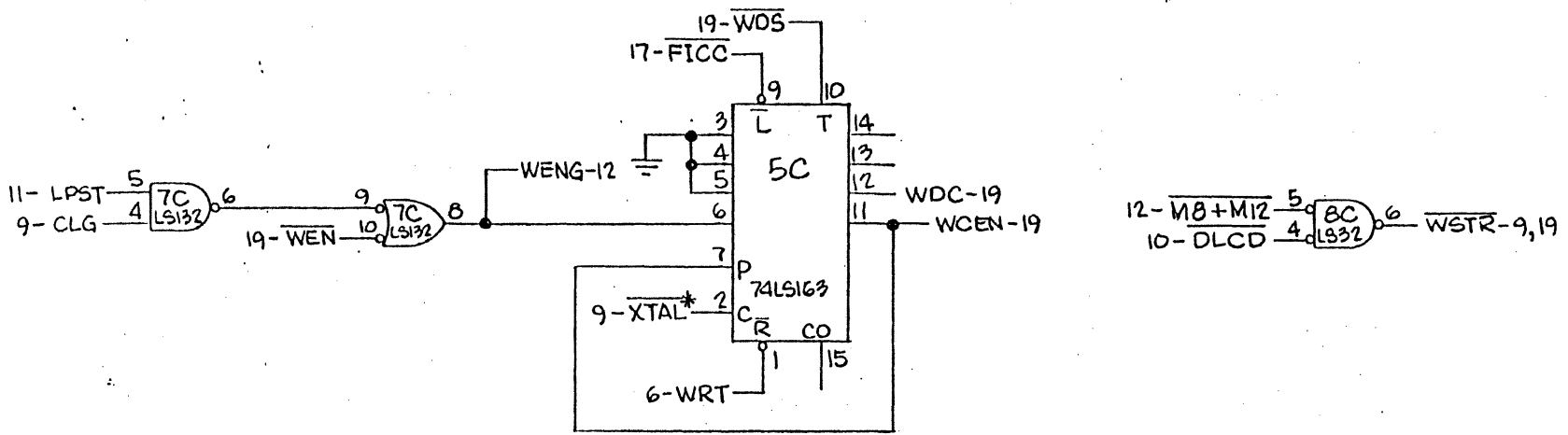
REVISIONS			
LTR	DESCRIPTION	DATE	APPROVED

FIFO CLOCK GENERATOR



TOLERANCES UNLESS OTHERWISE SPECIFIED		western peripherals <small>ANAHEIM, CALIFORNIA</small>	
FRACTIONS	DEC.		
±	±	±	<h1>FIFO</h1>
APPROVALS	DATE	SCALE	
DRAWN <i>HRP</i>	1-31-77	SIZE B	
CHECKED		DRAWING NO 120016	
DO NOT SCALE DRAWING			SHEET 13 OF 37

REVISIONS			
LTR	DESCRIPTION	DATE	APPROVED

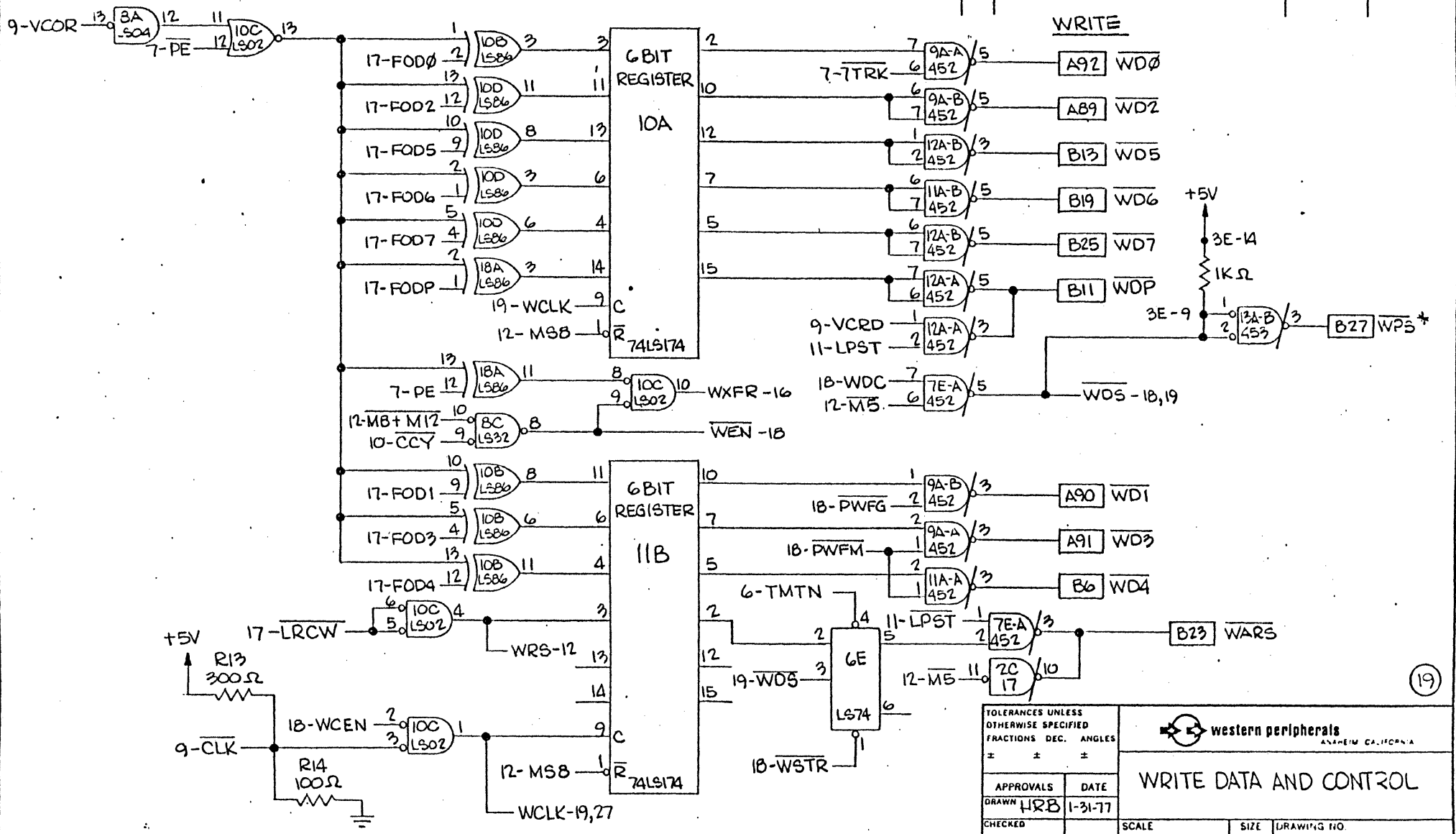


COPYRIGHT © 1977 BY WESTERN PERIPHERALS, INC.

TOLERANCES UNLESS OTHERWISE SPECIFIED		western peripherals ANAHEIM, CALIFORNIA		
FRACTIONS DEC.	ANGLES			
±	±	WRITE DATA AND CONTROL		
APPROVALS	DATE			
DRAWN <i>H.R.B.</i>	1-31-77	SCALE	SIZE	DRAWING NO.
CHECKED			B	120016
		DO NOT SCALE DRAWING		SHEET 19 OF 37

(18)

REVISIONS			
LTR	DESCRIPTION	DATE	AFFECTED



COPYRIGHT © 1977 BY WESTERN PERIPHERALS, INC.

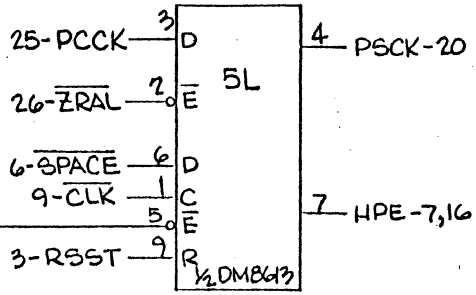
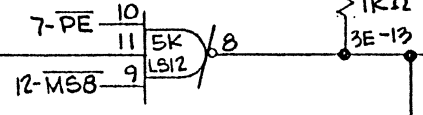
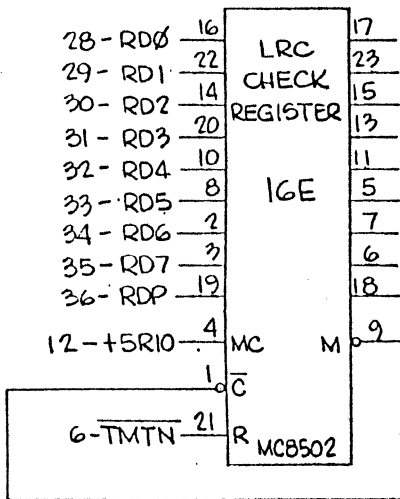
TOLERANCES UNLESS OTHERWISE SPECIFIED	
FRACTIONS DEC. ANGLES	± ± ±
APPROVALS	DATE
DRAWN HRB	1-31-77
CHECKED	

western peripherals
ARLHEIM, CALIFORNIA

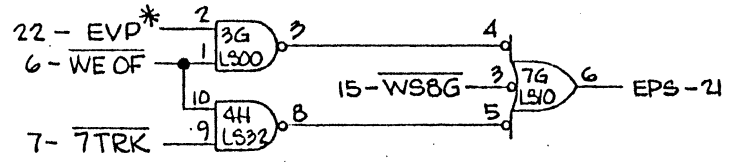
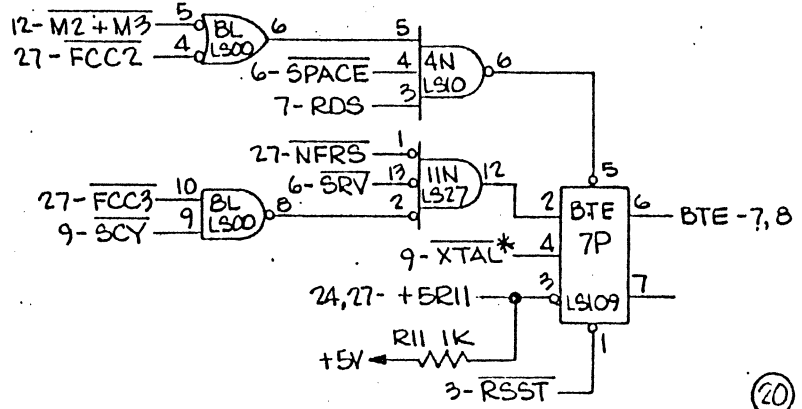
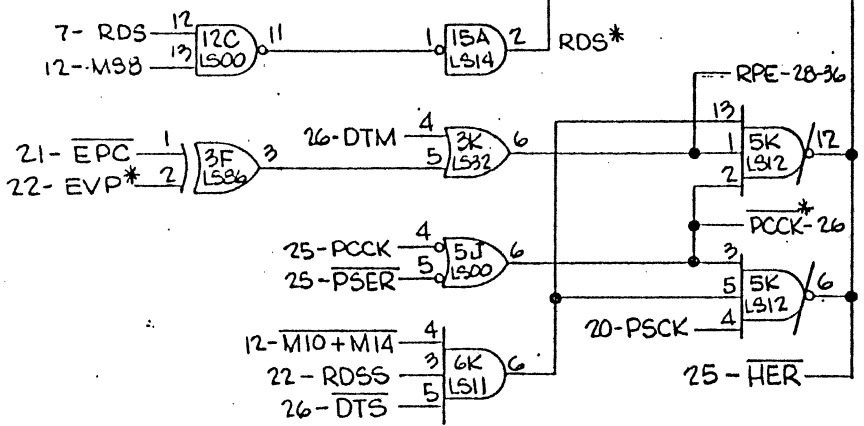
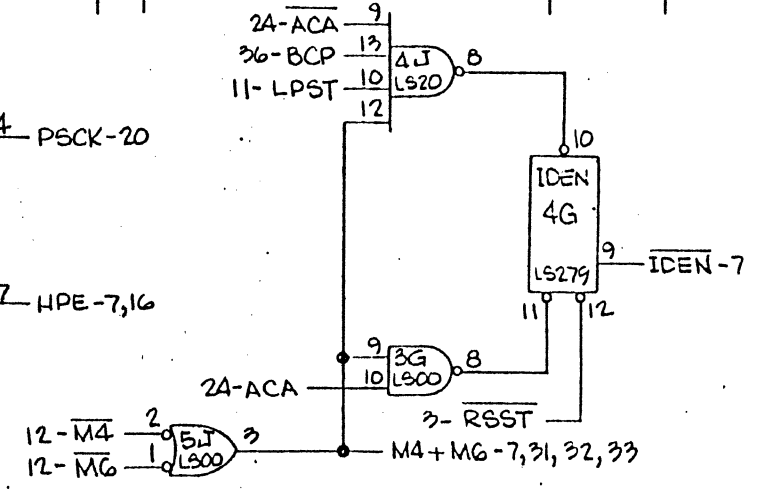
WRITE DATA AND CONTROL

SCALE	SIZE	DRAWING NO.
	B	120016
DO NOT SCALE DRAWING		SHEET 20 OF 27

(19)

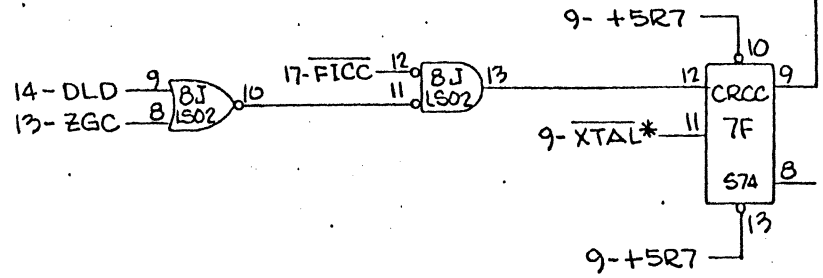
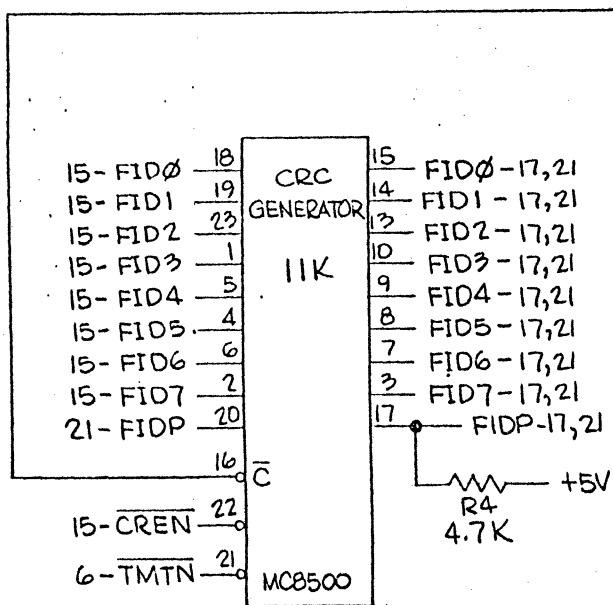
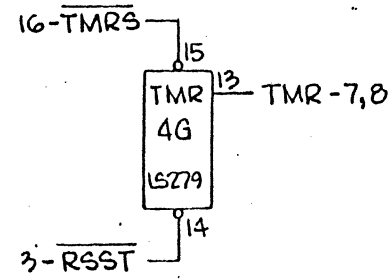
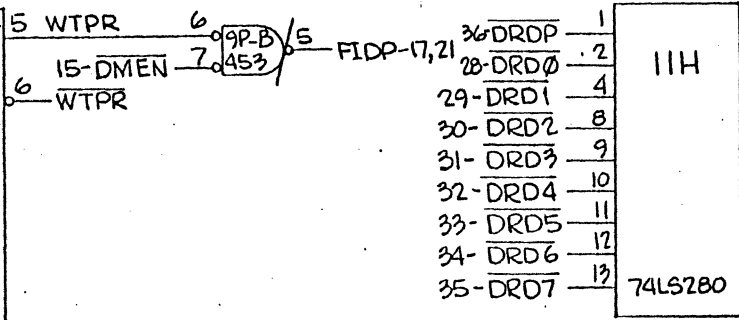
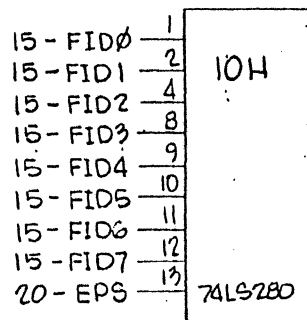


REVISIONS			
LTR	DESCRIPTION	DATE	APPROVED



TOLERANCES UNLESS OTHERWISE SPECIFIED FRACTIONS DEC. ANGLES ± ± ±		western peripherals ANAHEIM, CALIFORNIA	
PARITY CHECK			
APPROVALS	DATE	SCALE	SIZE
DRAWN: <i>HRB</i>	1-31-77		B
CHECKED		DRAWING NO.	120016
		DO NOT SCALE DRAWING	
		SHEET 21 OF 27	

REVISIONS			
LTR	DESCRIPTION	DATE	APPROVED



(21)

TOLERANCES UNLESS OTHERWISE SPECIFIED
FRACTIONS DEC. ANGLES
± ± ±

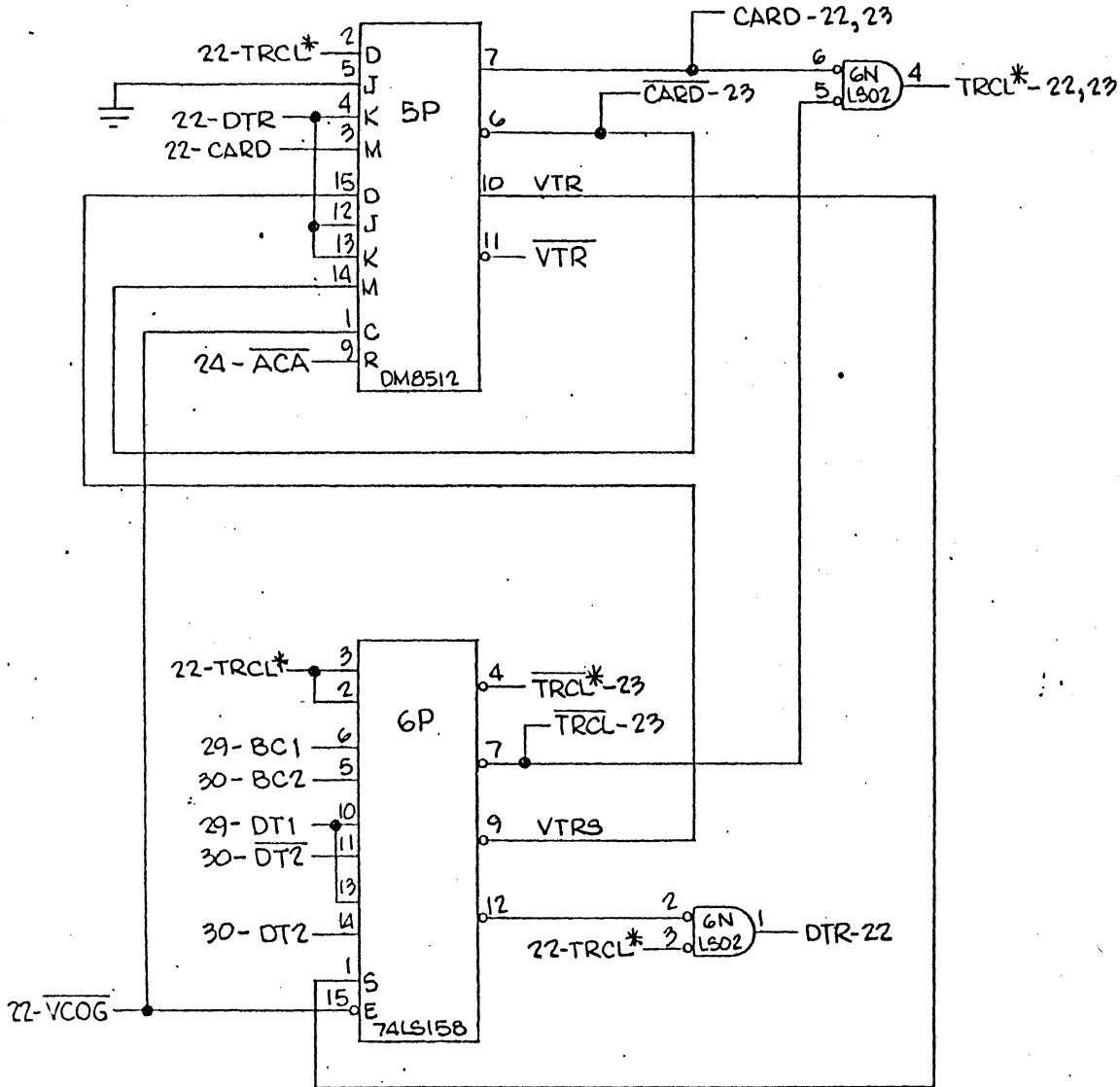
APPROVALS	DATE
DRAWN H.R.B.	1-31-77
CHECKED	

western peripherals
ANAHEIM, CALIFORNIA

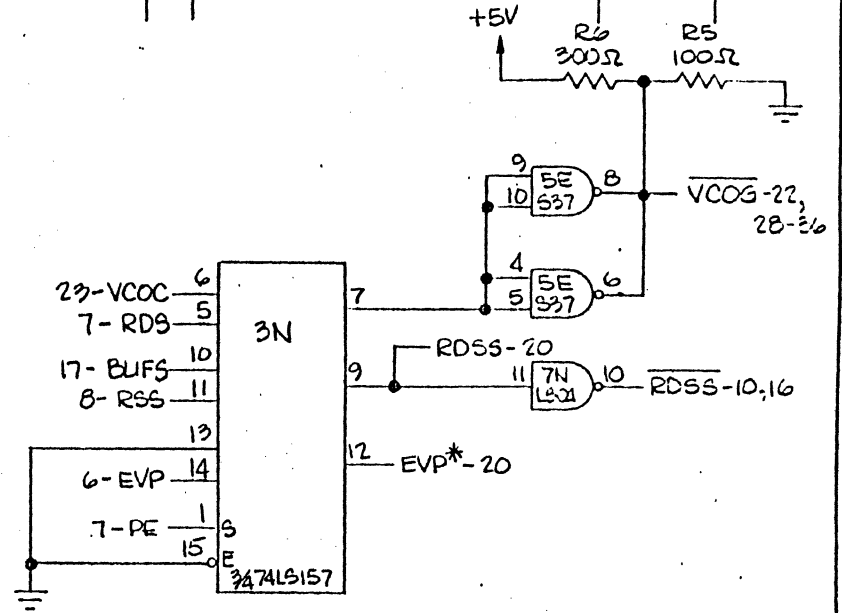
PARITY GENERATOR

SCALE	SIZE	DRAWING NO
—	B	120016
DO NOT SCALE DRAWING		SHEET 1 of 1

REFERENCE TRACK SELECT



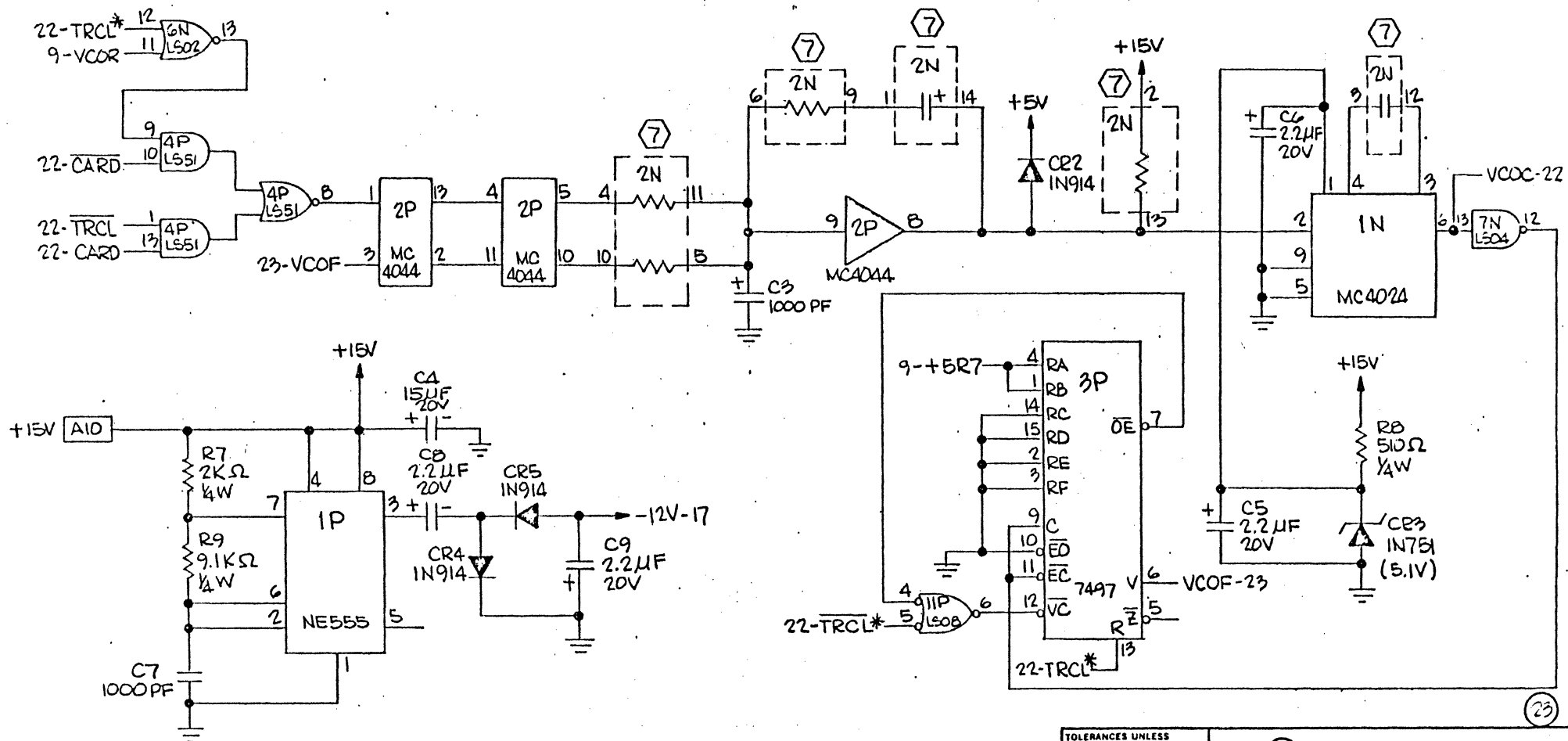
REVISIONS			
LTR	DESCRIPTION	DATE	APPROVED



22

TOLERANCES UNLESS OTHERWISE SPECIFIED FRACTIONS DEC. ANGLES ± ± ±		western peripherals ANAHEIM, CALIFORNIA	
APPROVALS DRAWN: H.R.B. 1-31-77		DATE	
CHECKED		SCALE	SIZE B
		DRAWING NO. 120016	
DO NOT SCALE DRAWING			SHEET 23 OF 27

REVISIONS			
LTR	DESCRIPTION	DATE	APPROVED



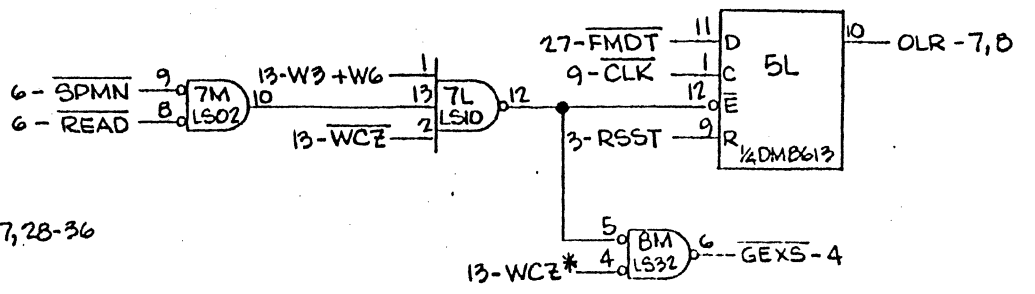
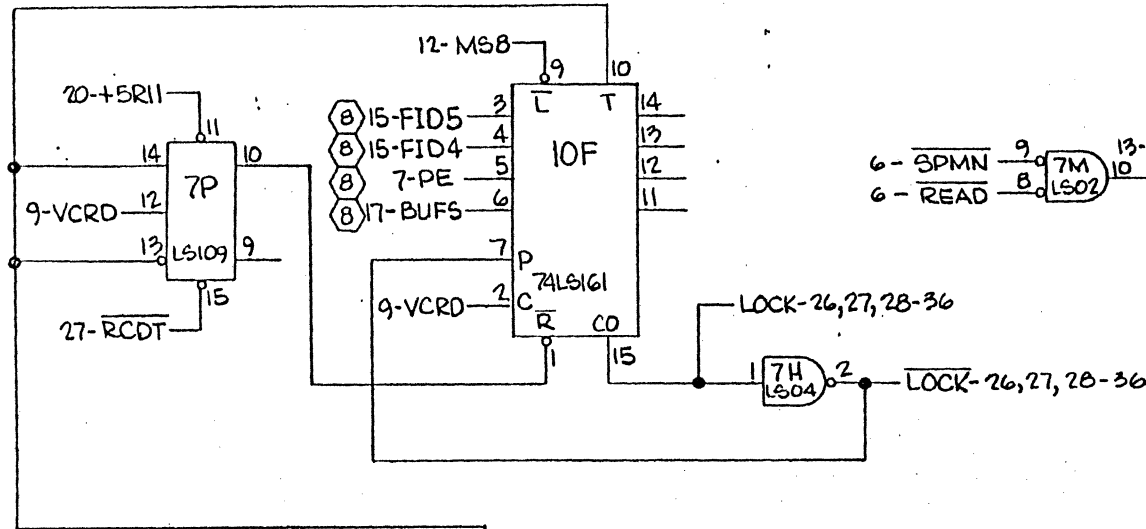
(23)

TOLERANCES UNLESS OTHERWISE SPECIFIED FRACTIONS DEC. ANGLES ± ± ±		 western peripherals ANAHEIM CALIFORNIA	
VCO		DRAWING NO 120016	
APPROVALS	DATE	SCALE	SIZE
DRAWN H.R.B.	1-31-77		B
CHECKED		DO NOT SCALE DRAWING	SHEET 24 OF 27

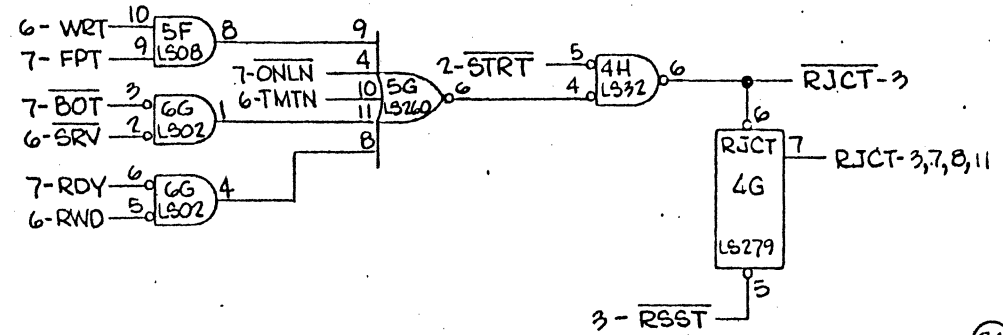
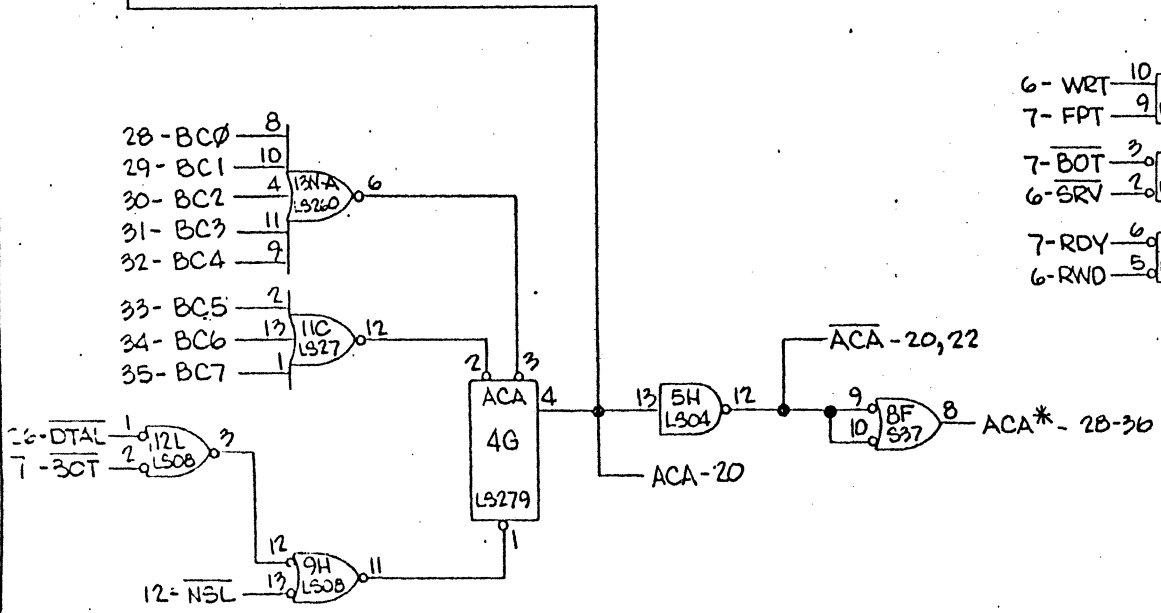
PREAMBLE DETECTOR

REVISIONS			
LTR	DESCRIPTION	DATE	APPROVED

ODD LENGTH RECORD DETECTOR



REJECT CONTROL

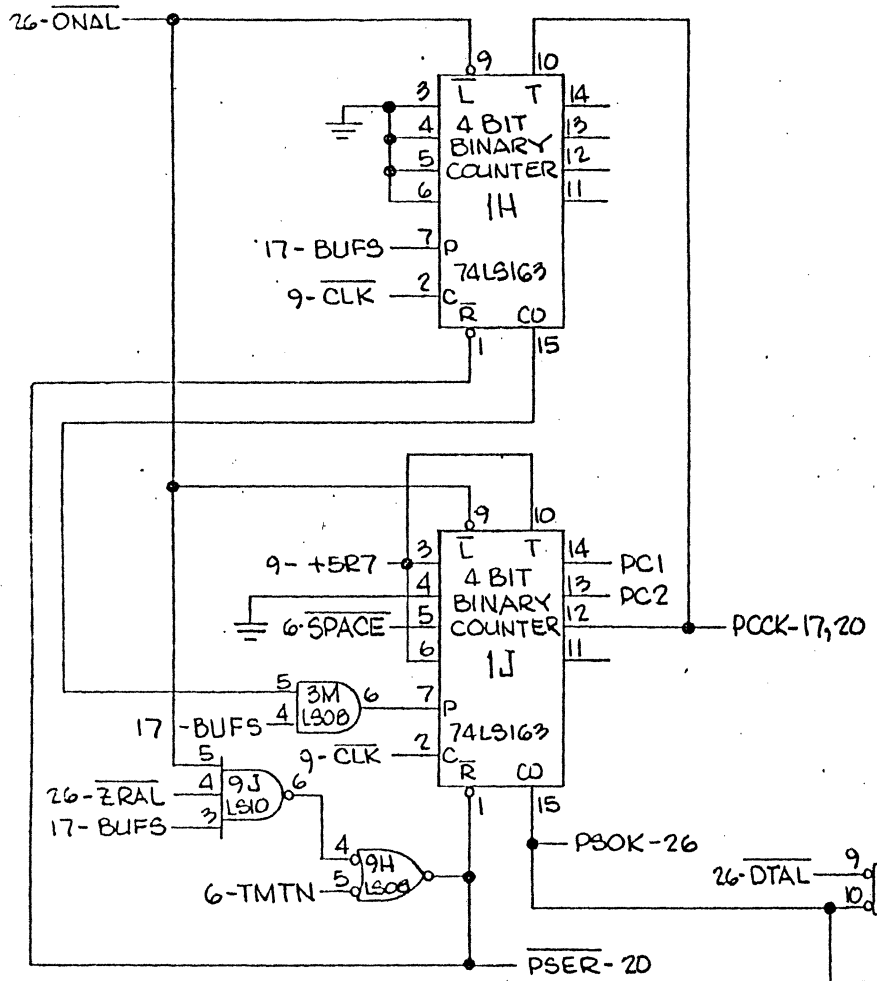


24

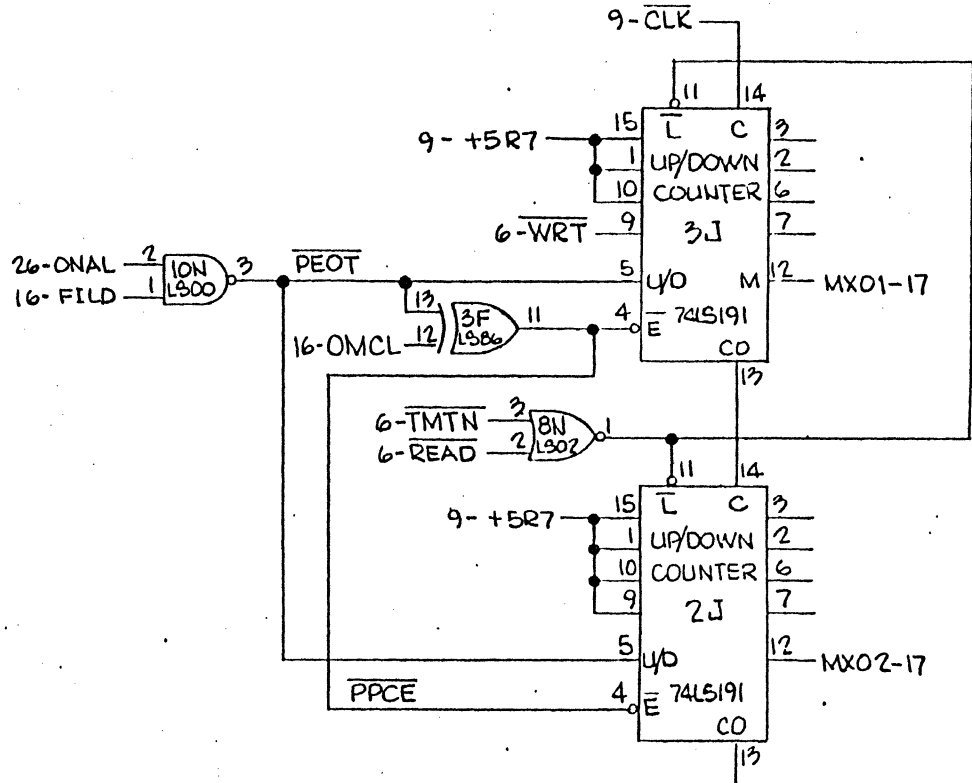
TOLERANCES UNLESS OTHERWISE SPECIFIED FRACTIONS DEC. ANGLES ± ± ±		western peripherals ANAHEIM, CALIFORNIA	
APPROVALS DRAWN H.R.B.		DATE 1-31-77	
CHECKED		SCALE	SIZE B
		DRAWING NO. 120016	
DO NOT SCALE DRAWING			SHEET 5 OF 37

REVISIONS			
LTR	DESCRIPTION	DATE	APPROVED

POSSIBLE POSTAMBLE DETECTOR



POSSIBLE POSTAMBLE COUNTER



COPYRIGHT © 1977 BY WESTERN PERIPHERALS, INC.

TOLERANCES UNLESS OTHERWISE SPECIFIED
FRACTIONS DEC. ANGLES
± ± ±

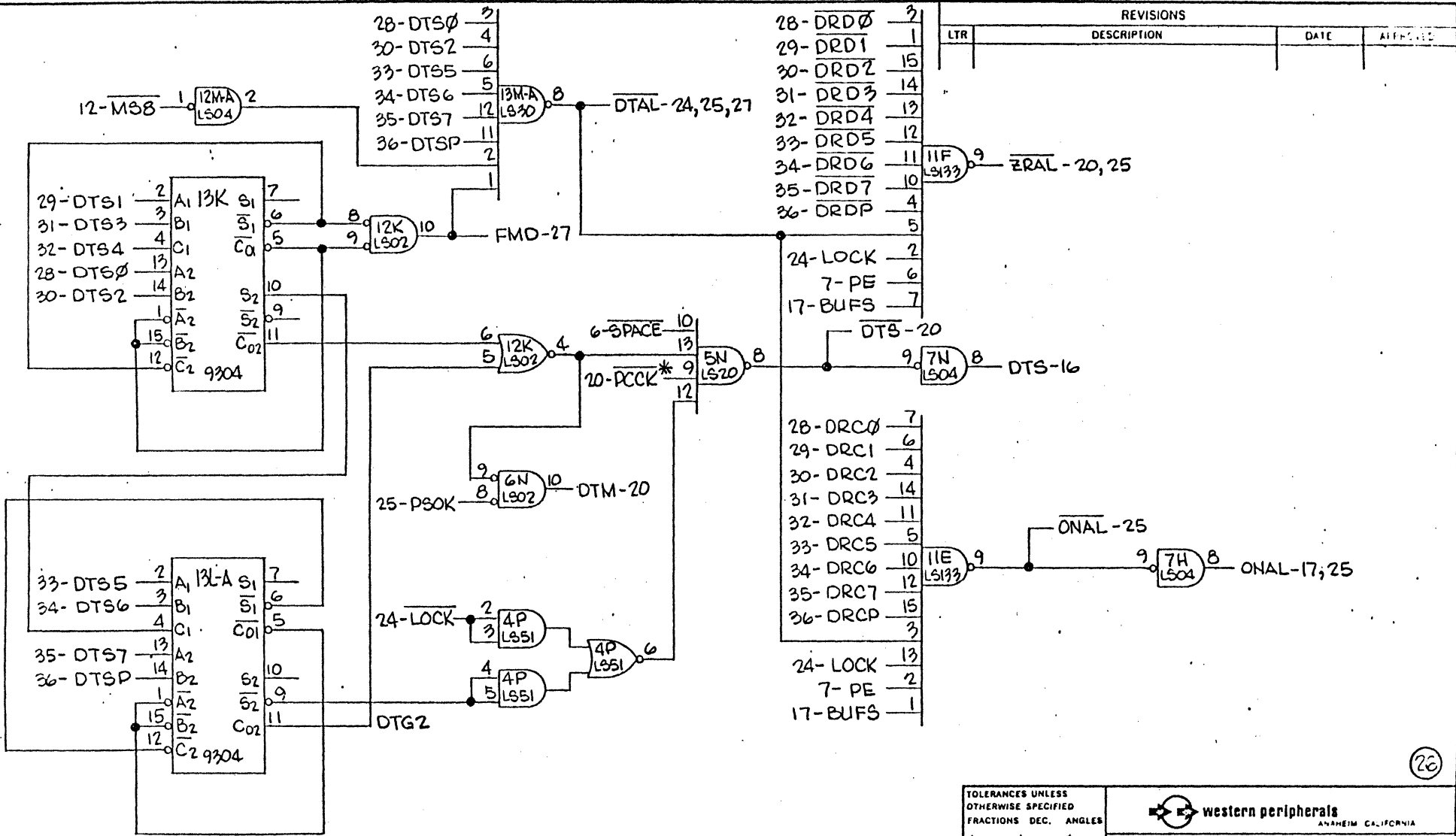
APPROVALS	DATE
DRAWN H.P.D.	1-31-77
CHECKED	

(25)

western peripherals
ANAHEIM CALIFORNIA

POSTAMBLE DETECTOR

SCALE	SIZE	DRAWING NO.
	B	120016
DO NOT SCALE DRAWING		SHEET 23 OF 27



REVISIONS			
LTR	DESCRIPTION	DATE	APPROVED

28-DRD0	3
29-DRD1	1
30-DRD2	15
31-DRD3	14
32-DRD4	13
33-DRD5	12
34-DRD6	11
35-DRD7	10
36-DRD7	4
24-LOCK	2
7-PE	6
17-BUFS	7
28-DRC0	7
29-DRC1	6
30-DRC2	4
31-DRC3	14
32-DRC4	11
33-DRC5	5
34-DRC6	10
35-DRC7	12
36-DRC7	15
24-LOCK	13
7-PE	2
17-BUFS	1

TOLERANCES UNLESS OTHERWISE SPECIFIED	
FRACTIONS	DEC. ANGLES
±	± ±
APPROVALS	DATE
DRAWN H.R.B.	1-31-77
CHECKED	SCALE

western peripherals
ANAHIM CALIFORNIA

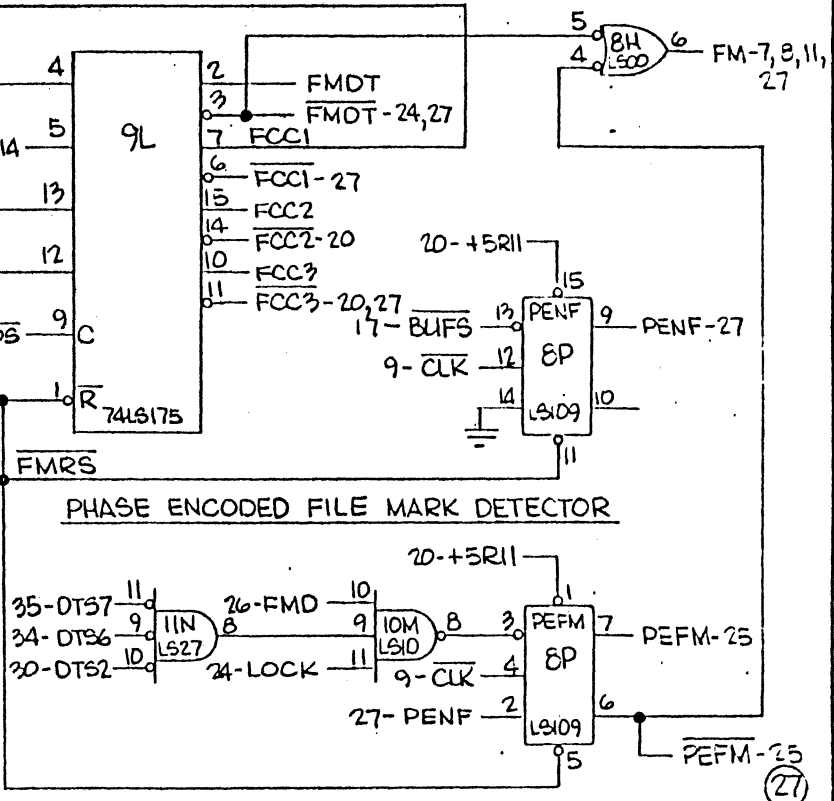
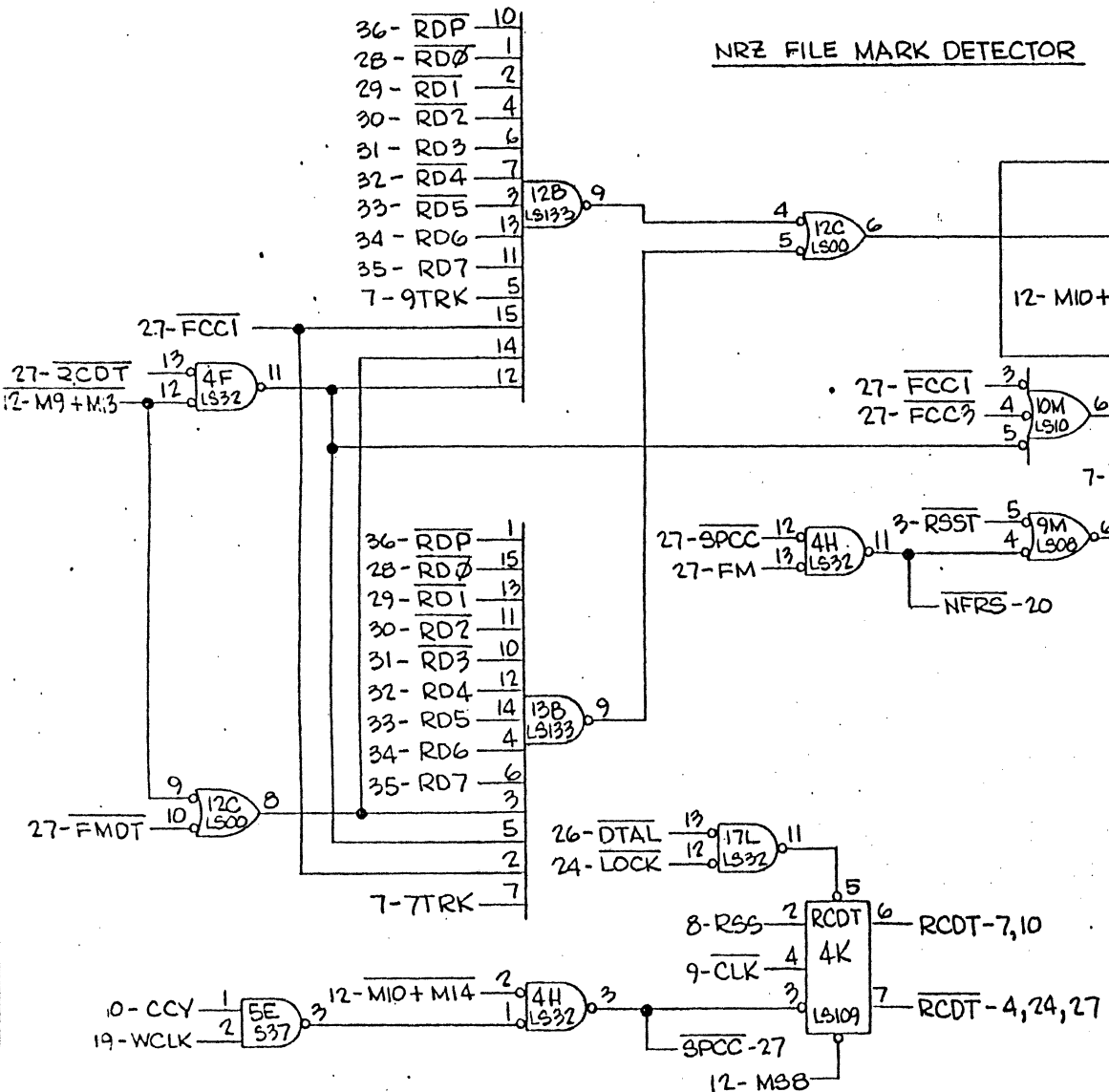
DEAD TRACK DETECTOR

SIZE	DRAWING NO
B	120016
DO NOT SCALE DRAWING	
SHEET 27 OF 27	

COPYRIGHT © 1977 BY WESTERN PERIPHERALS, INC.

REVISIONS			
LTR	DESCRIPTION	DATE	APPROVED

NRZ FILE MARK DETECTOR



- 36- RDP 10
- 28- RD0 1
- 29- RD1 2
- 30- RD2 4
- 31- RD3 6
- 32- RD4 7
- 33- RD5 3
- 34- RD6 13
- 35- RD7 11
- 7-9TRK 5
- 14
- 12

- 36- RDP 1
- 28- RD0 15
- 29- RD1 13
- 30- RD2 11
- 31- RD3 10
- 32- RD4 12
- 33- RD5 14
- 34- RD6 4
- 35- RD7 6
- 7-7TRK 7
- 5
- 2

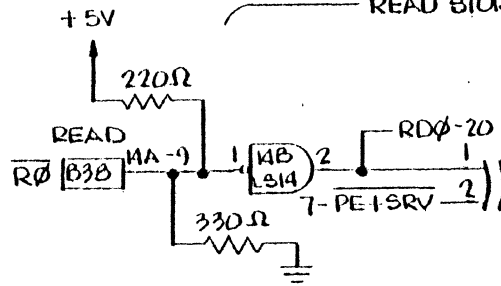
TOLERANCES UNLESS OTHERWISE SPECIFIED	
FRACTIONS DEC.	ANGLES
±	±
APPROVALS	DATE
DRAWN HIRB	1-31-77
CHECKED	

western peripherals
ANAHEIM, CALIFORNIA

FILE MARK DETECTORS

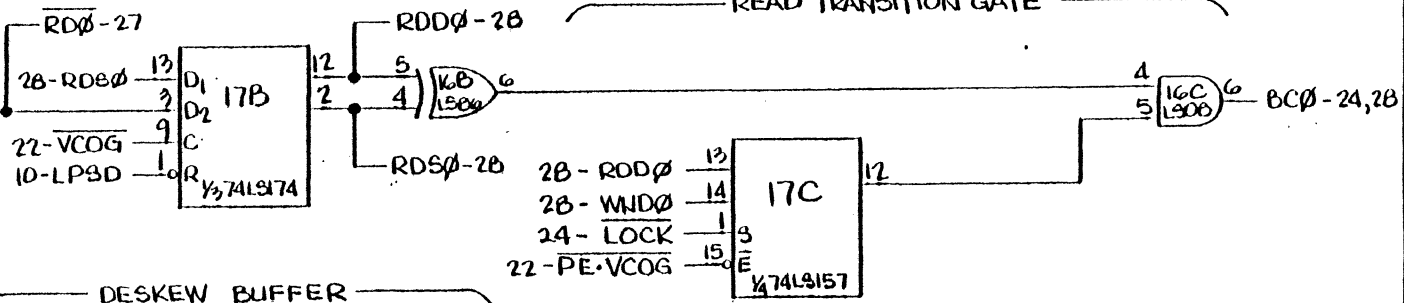
SCALE	SIZE	DRAWING NO.
	B	120016
DO NOT SCALE DRAWING		SHEET 5 OF 57

READ STORAGE/TRANSITION DETECTOR

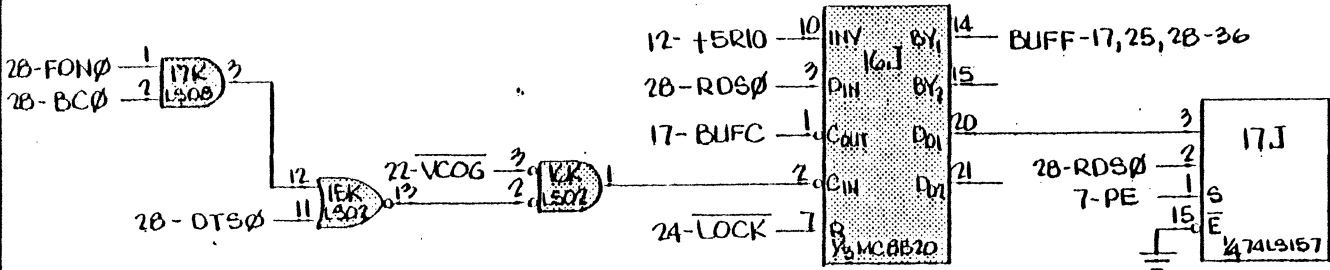


REVISIONS			
LTR	DESCRIPTION	DATE	APPROVED

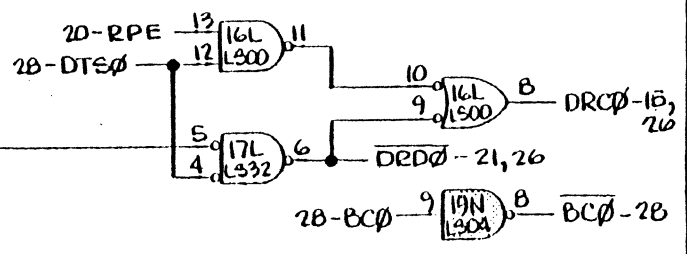
READ TRANSITION GATE



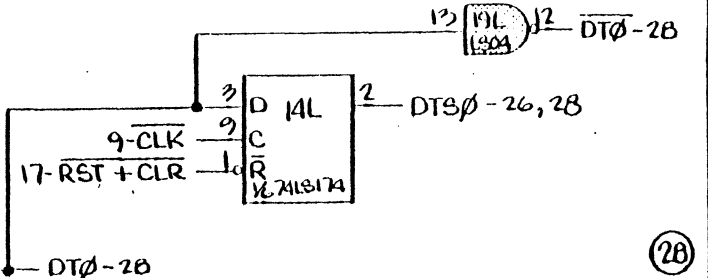
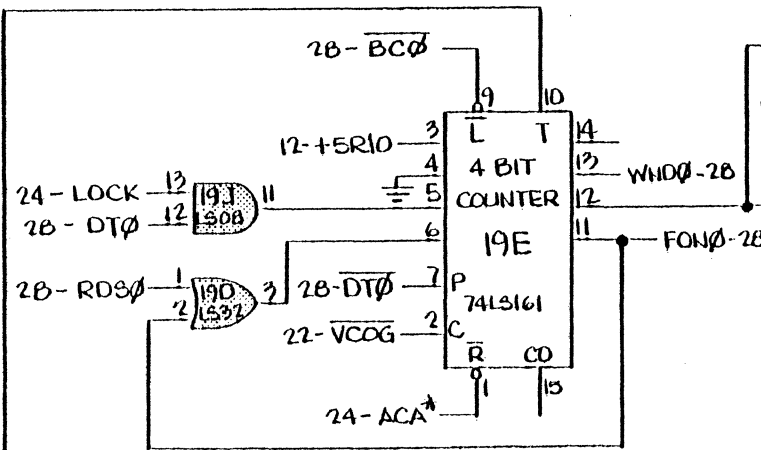
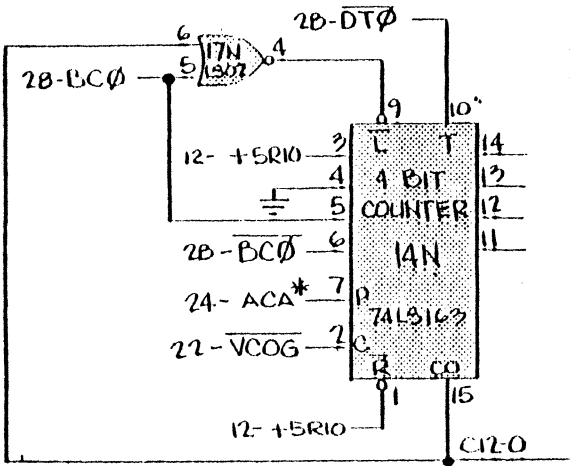
DESKEW BUFFER



ERROR CORRECTION GATING



WINDOW GENERATOR



COPYRIGHT © 1977 BY WESTERN PERIPHERALS, INC.

TOLERANCES UNLESS OTHERWISE SPECIFIED	
FRACTIONS	DEC. ANGLES
±	±
APPROVALS	DATE
DRAWN: HRP	1-31-77
CHECKED:	

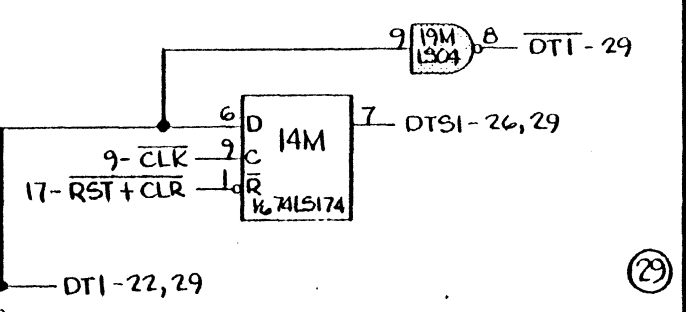
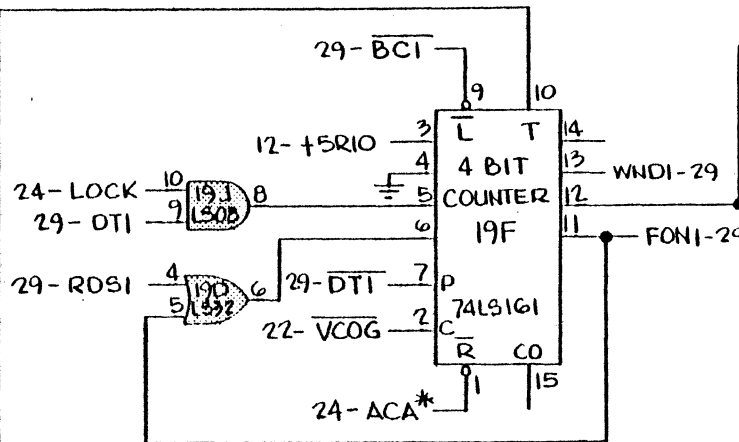
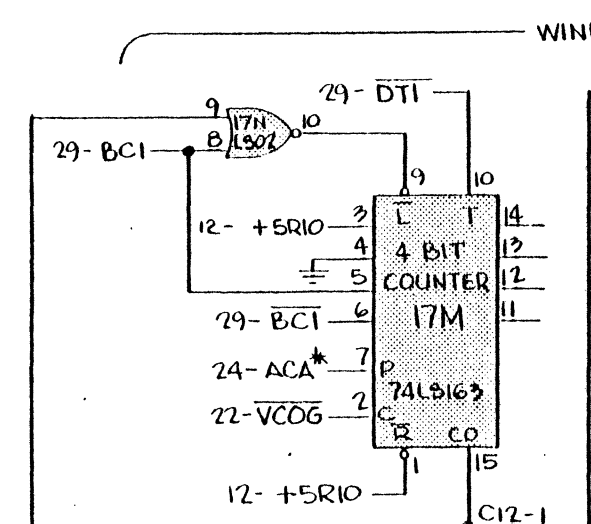
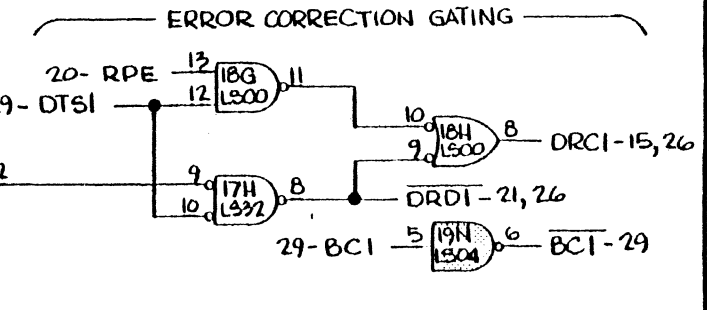
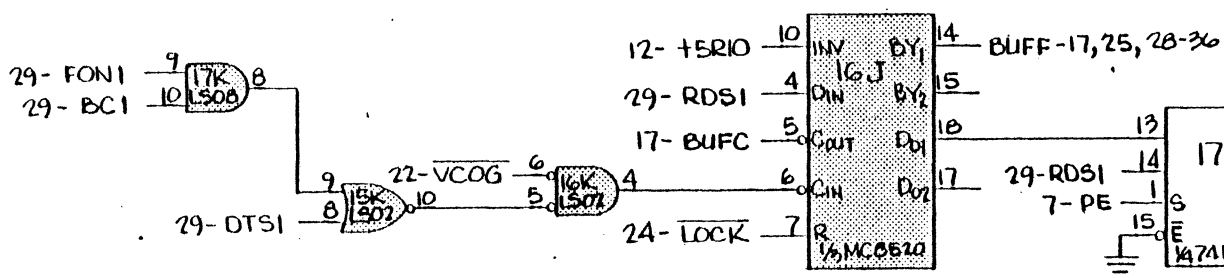
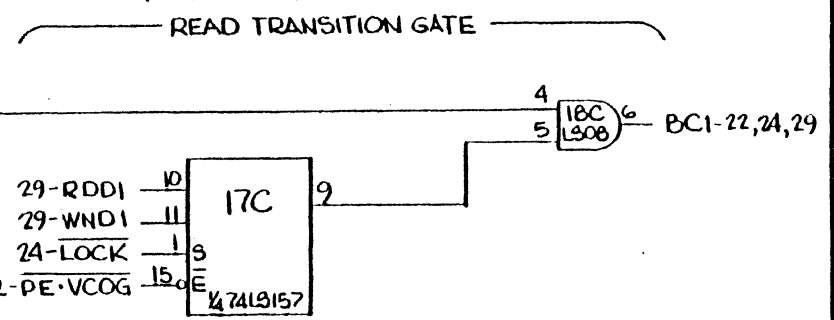
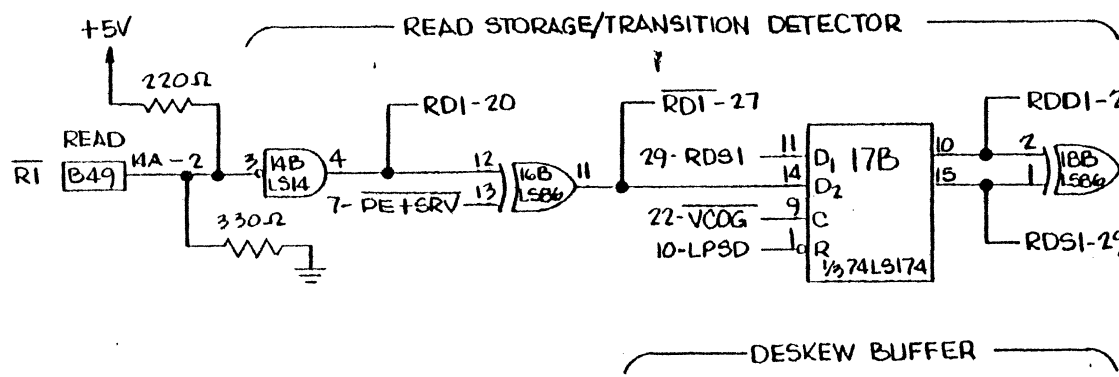
western peripherals
ANAHEIM, CALIFORNIA

READ CHANNEL φ

SCALE: _____ SIZE: B DRAWING NO: 120016

DO NOT SCALE DRAWING SHEET 29 OF 37

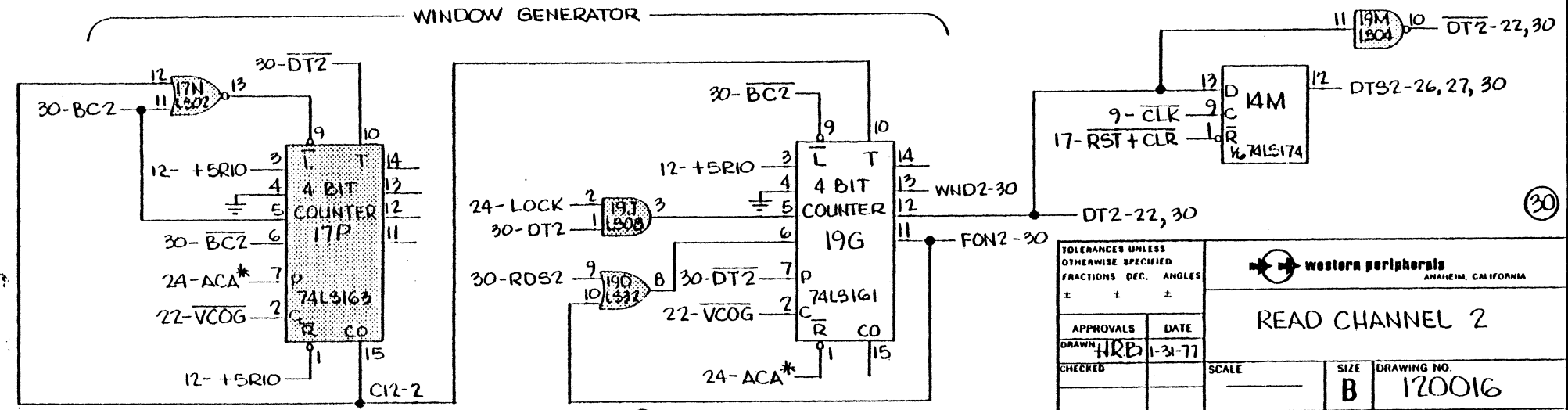
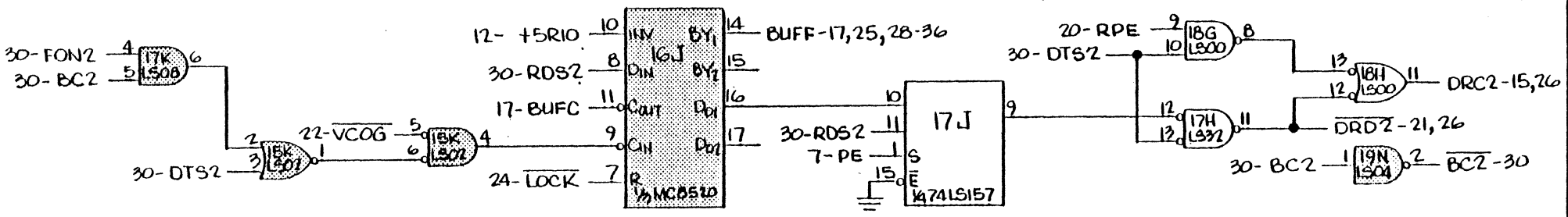
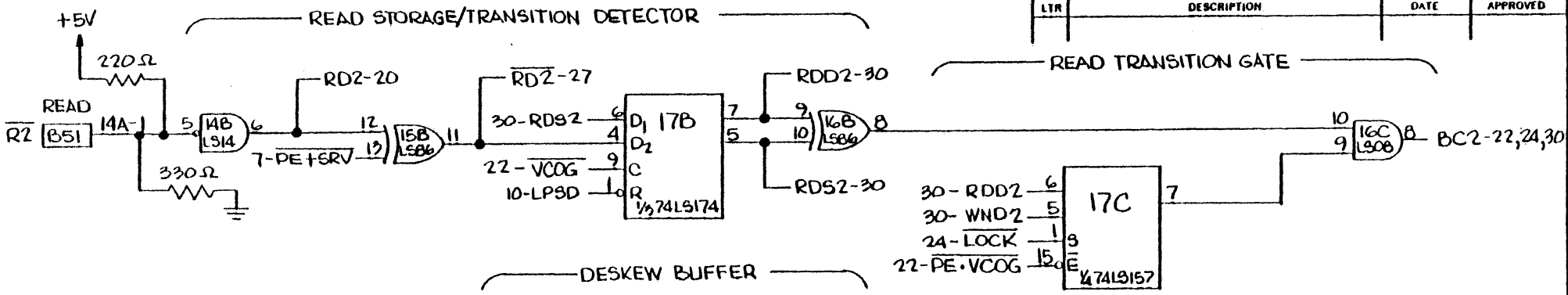
REVISIONS			
LTR	DESCRIPTION	DATE	APPROVED



COPYRIGHT © 1977 BY WESTERN PERIPHERALS, INC.

TOLERANCES UNLESS OTHERWISE SPECIFIED FRACTIONS DEC. ANGLES ± ± ±		 western peripherals ANAHEIM, CALIFORNIA	
APPROVALS DRAWN: HRB CHECKED:		DATE: 1-31-77 SCALE: _____ SIZE: B DRAWING NO.: 120016	
DO NOT SCALE DRAWING		SHEET 30 OF 37	

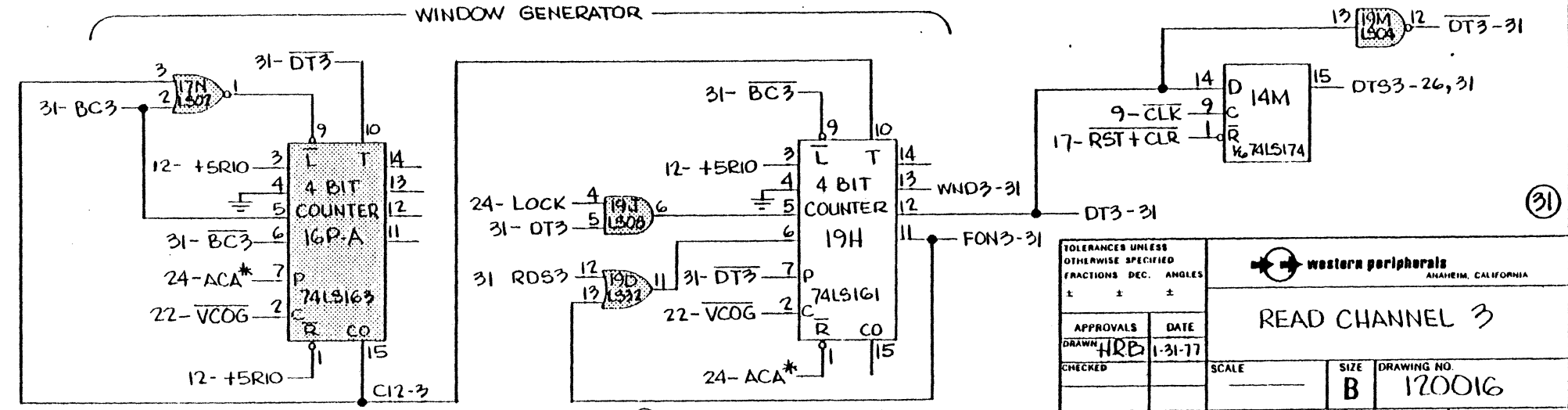
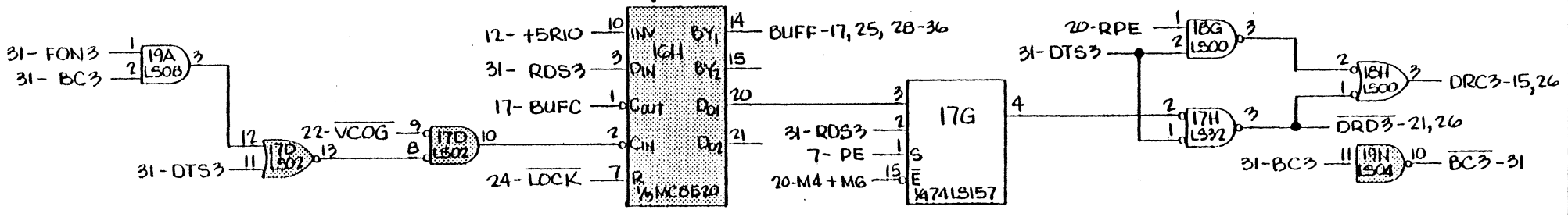
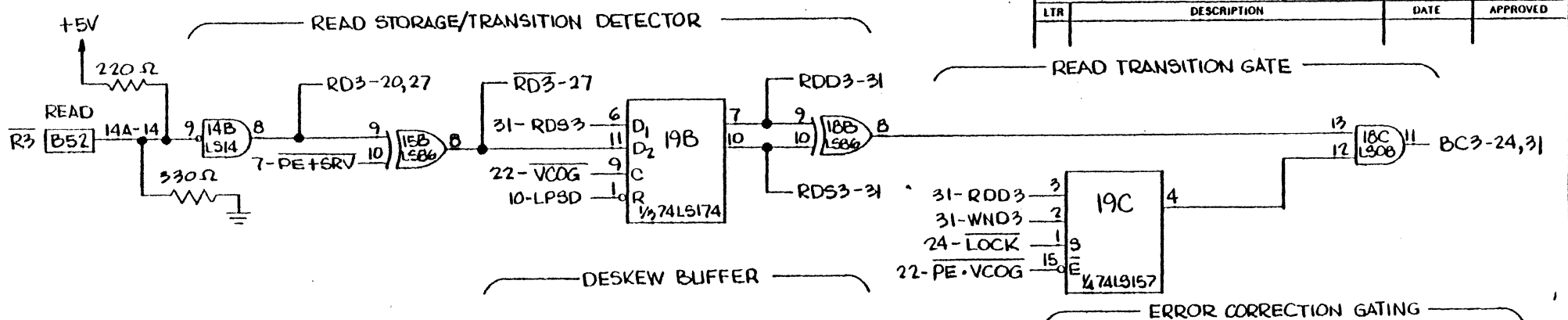
REVISIONS			
LTR	DESCRIPTION	DATE	APPROVED



COPYRIGHT © 1977 BY WESTERN PERIPHERALS, INC.

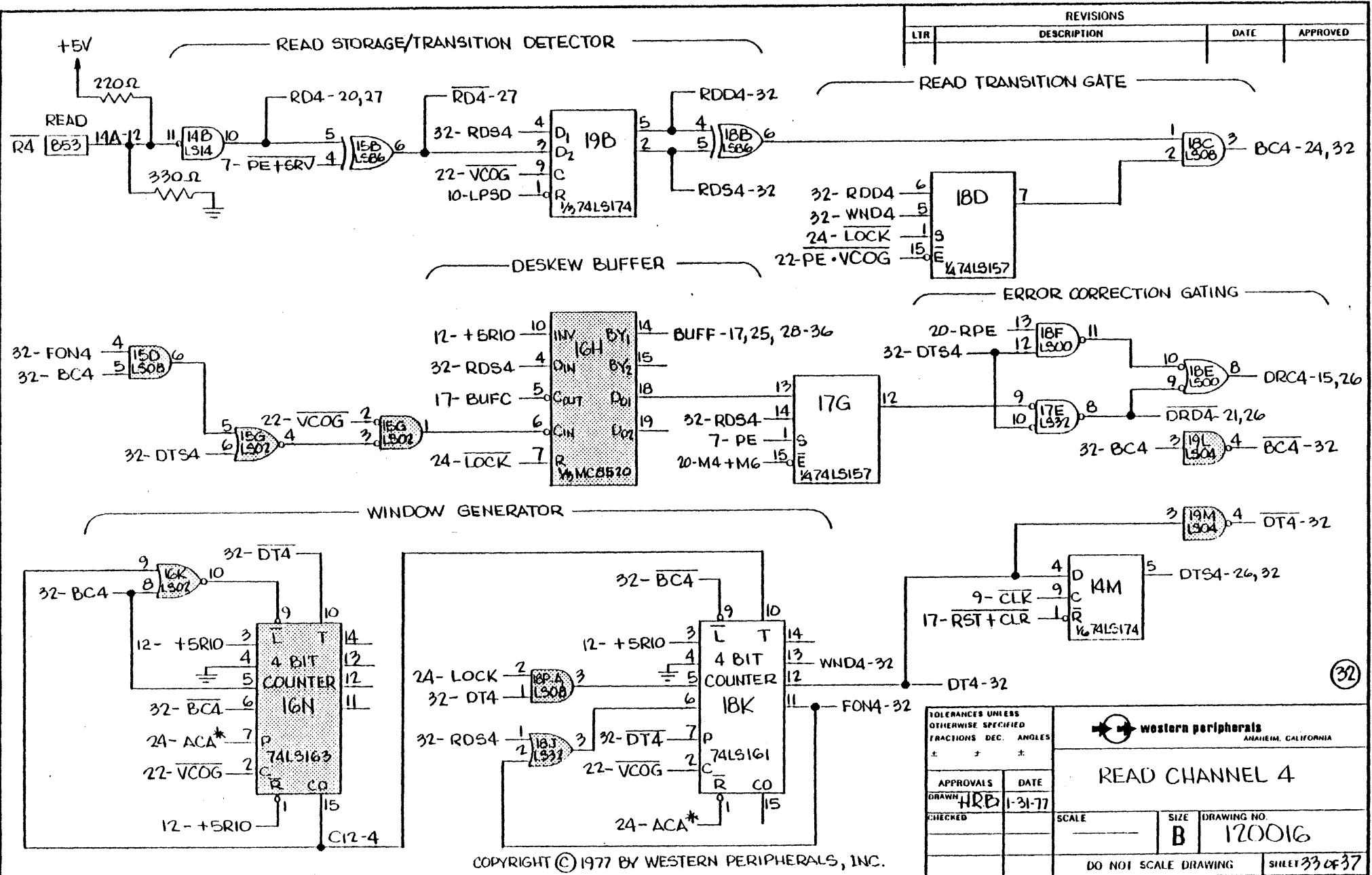
TOLERANCES UNLESS OTHERWISE SPECIFIED		western peripherals ANAHEIM, CALIFORNIA	
FRACTIONS DEC. ANGLES		READ CHANNEL 2	
± ± ±	± ± ±	SCALE	SIZE B DRAWING NO. 120016
APPROVALS	DATE	DO NOT SCALE DRAWING	
DRAWN: HRE	1-31-77	SHEET 31 OF 37	
CHECKED			

REVISIONS			
LTR	DESCRIPTION	DATE	APPROVED



COPYRIGHT © 1977 BY WESTERN PERIPHERALS, INC.

TOLERANCES UNLESS OTHERWISE SPECIFIED		western peripherals	
FRACTIONS DEC. ANGLES		ANAHEIM, CALIFORNIA	
± ± ±		READ CHANNEL 3	
APPROVALS	DATE	SCALE	SIZE
DRAWN HRE	1-31-77		B
CHECKED			DRAWING NO. 170016
DO NOT SCALE DRAWING			SHEET 32 OF 37

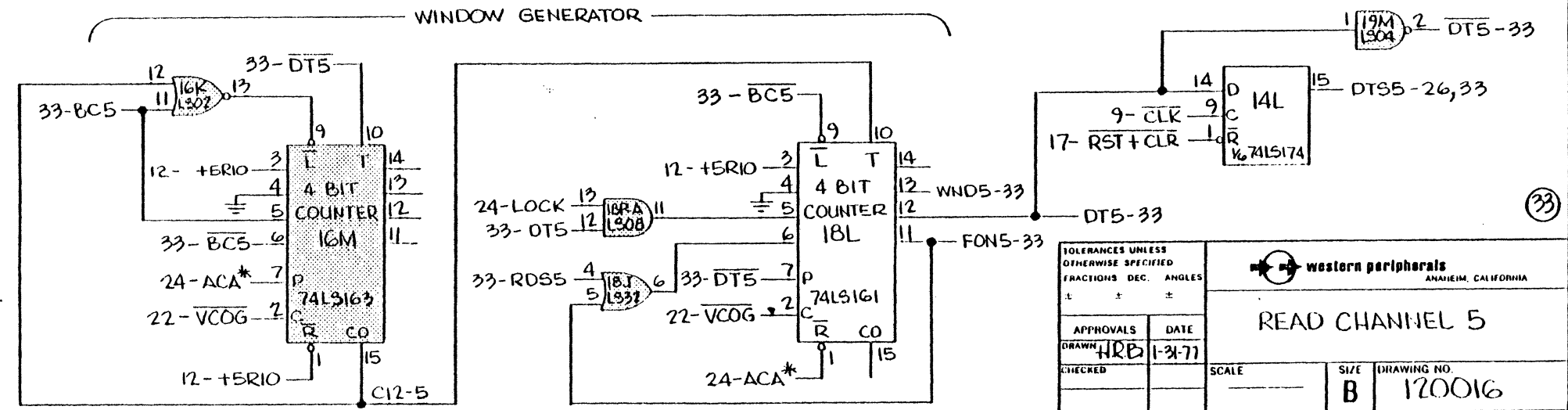
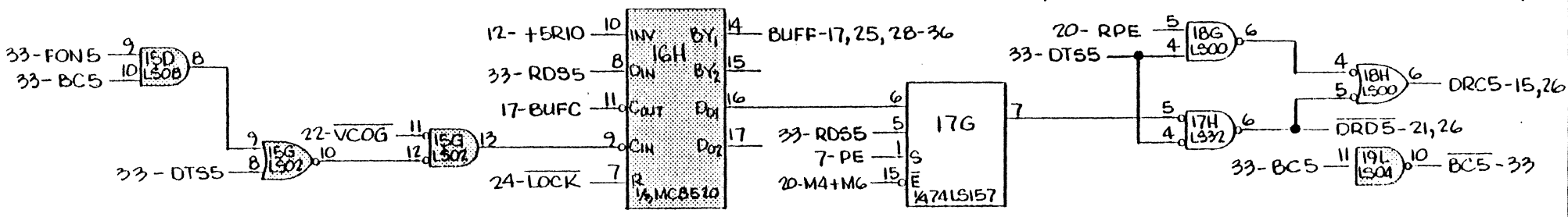
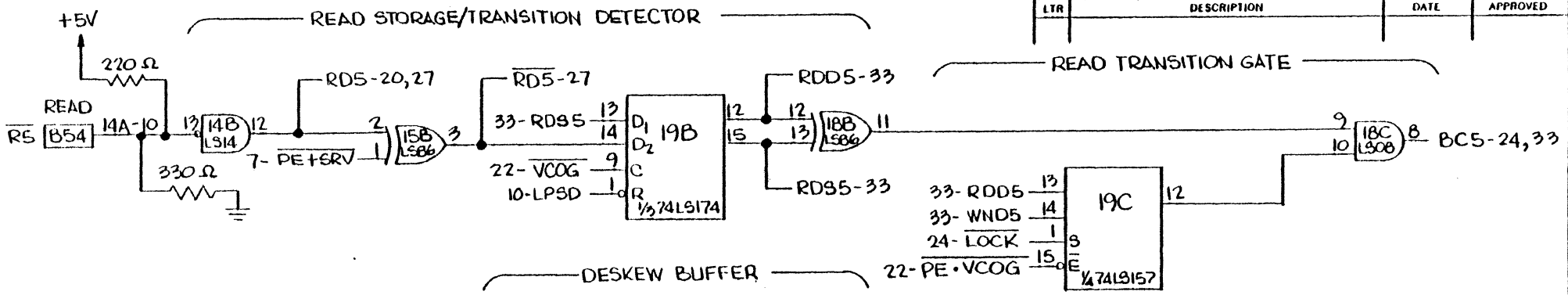


REVISIONS			
LTR	DESCRIPTION	DATE	APPROVED

TOLERANCES UNLESS OTHERWISE SPECIFIED FRACTIONS DEC. ANGLES ± ± ±		 western peripherals ANAHEIM, CALIFORNIA	
READ CHANNEL 4			
APPROVALS	DATE	SCALE	SIZE
DRAWN HRE	1-31-77		B
CHECKED		DRAWING NO.	170016
DO NOT SCALE DRAWING		SHEET 33 OF 37	

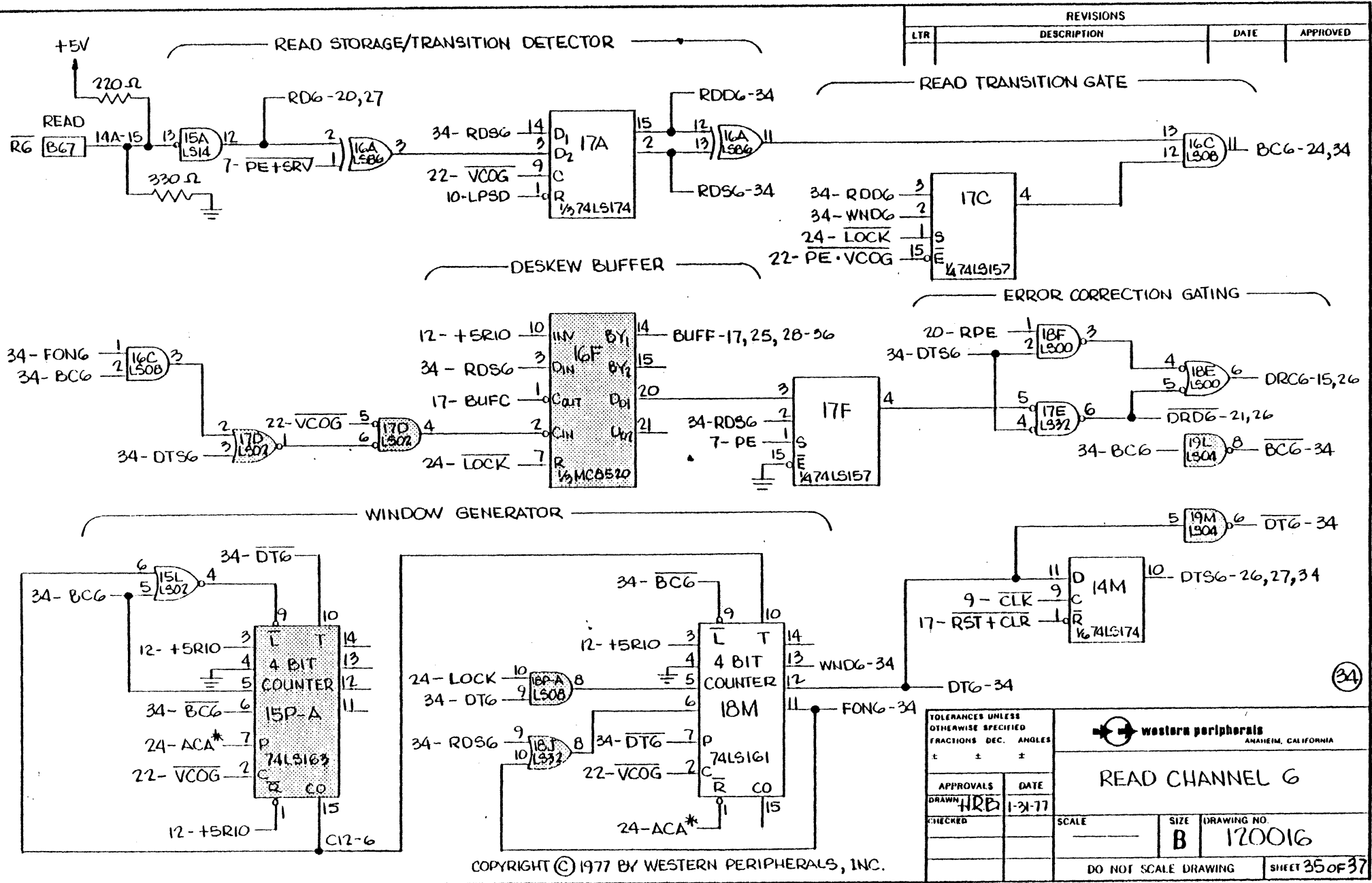
COPYRIGHT © 1977 BY WESTERN PERIPHERALS, INC.

REVISIONS			
LTR	DESCRIPTION	DATE	APPROVED

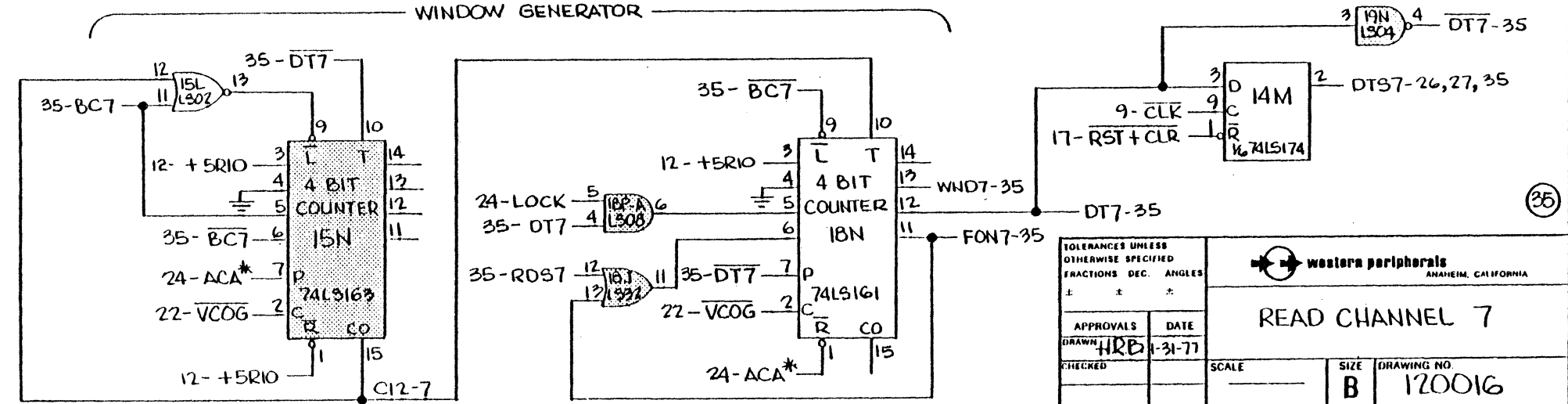
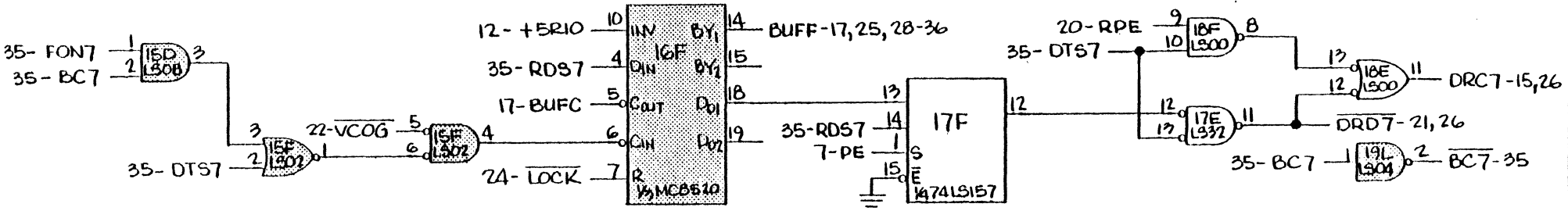
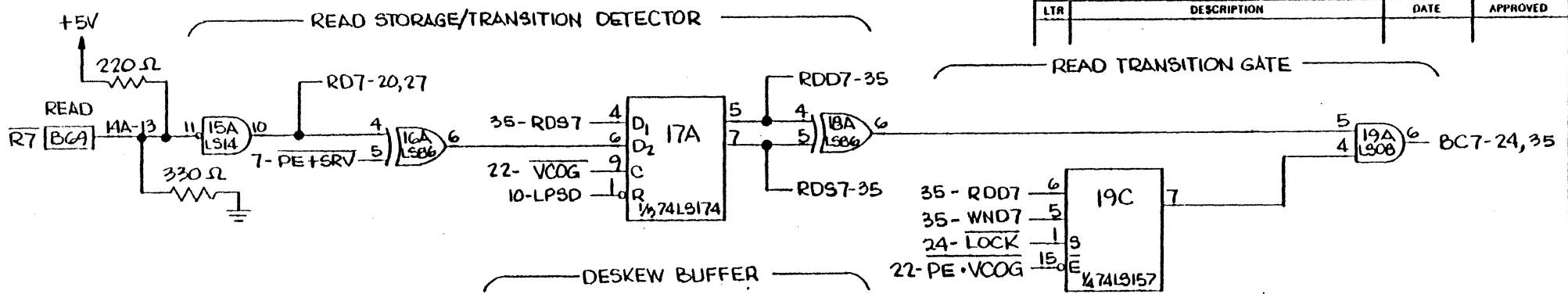


COPYRIGHT © 1977 BY WESTERN PERIPHERALS, INC.

TOLERANCES UNLESS OTHERWISE SPECIFIED		western peripherals ANAHEIM, CALIFORNIA	
FRACTIONS DEC.	ANGLES	READ CHANNEL 5	
± ± ±	± ± ±	APPROVALS	DATE
DRAWN	CHECKED	HRB	1-31-77
SCALE	SIZE	DRAWING NO.	
	B	120016	
DO NOT SCALE DRAWING			SHEET 34 OF 37

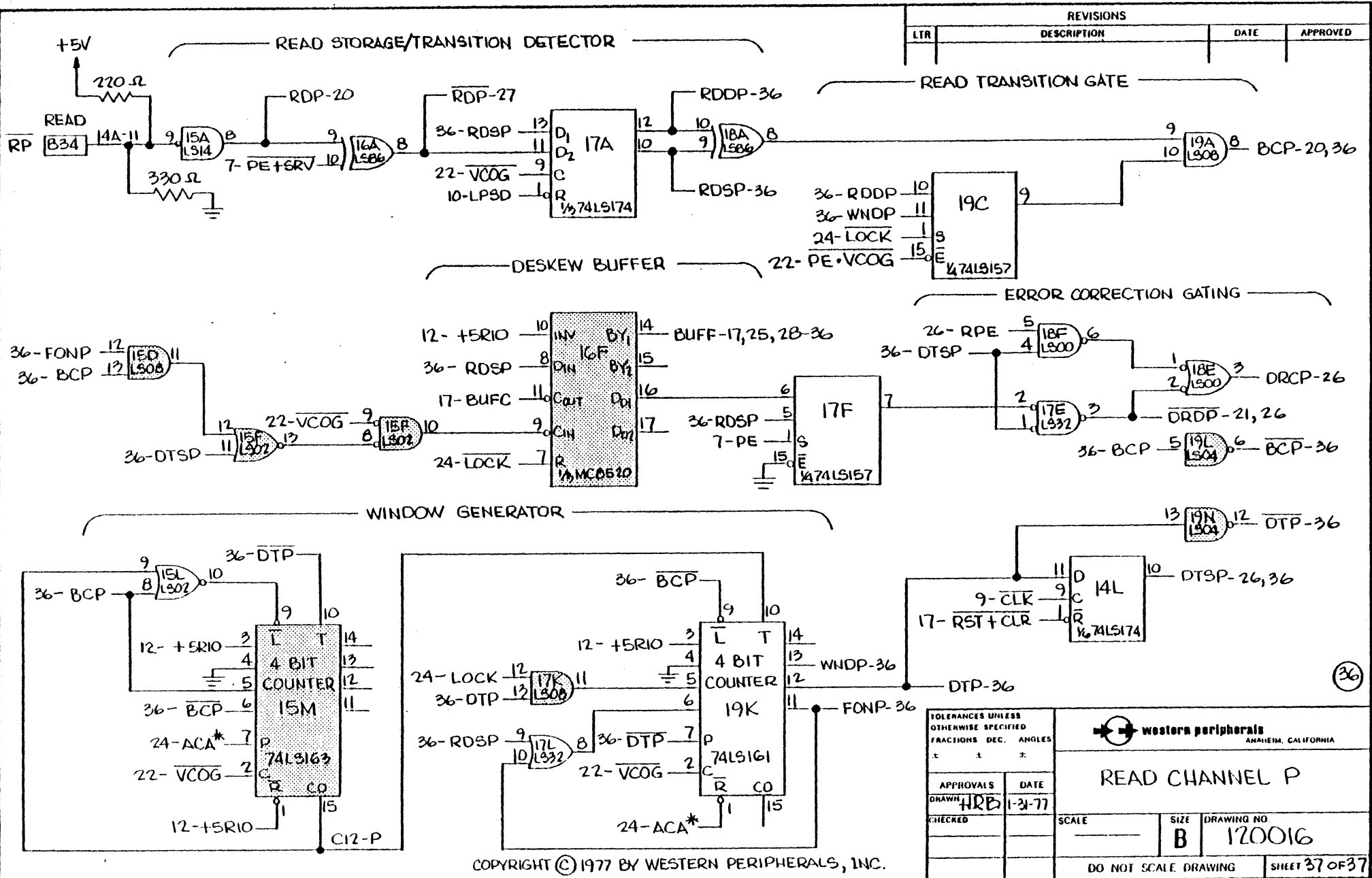


REVISIONS			
LTR	DESCRIPTION	DATE	APPROVED

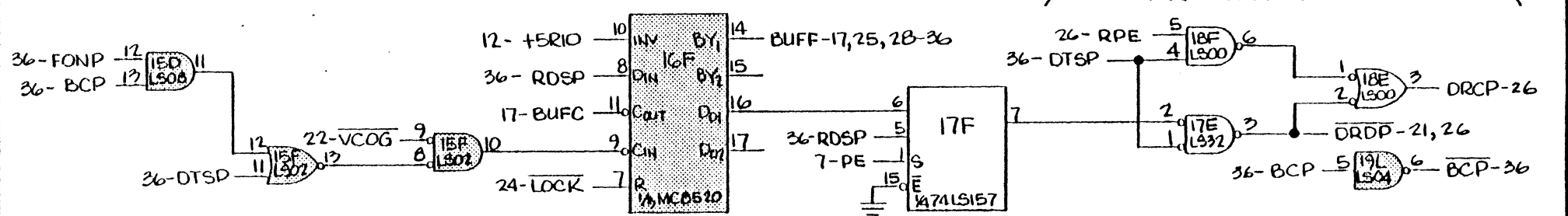
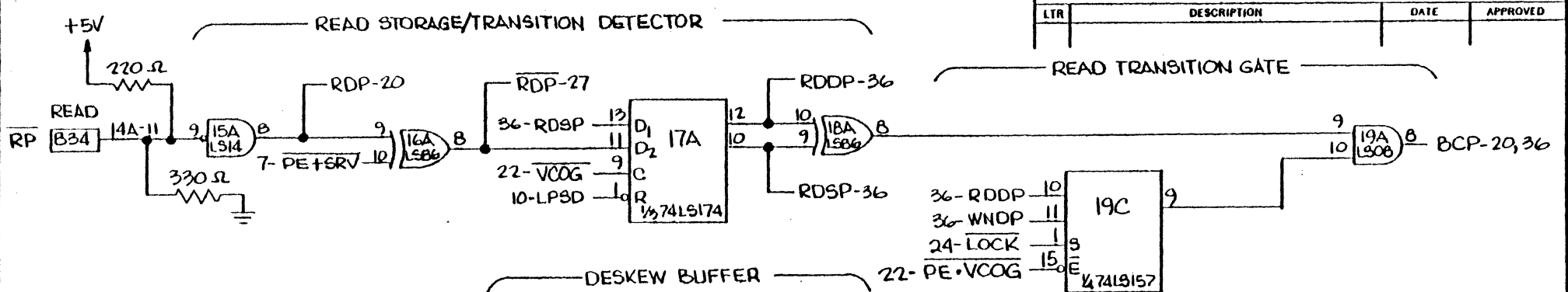


TOLERANCES UNLESS OTHERWISE SPECIFIED		FRACTIONS DEC. ANGLES	
±	±	±	±
APPROVALS		DATE	
DRAWN HRB		1-31-77	
CHECKED		SCALE	
		SIZE B	
		DRAWING NO. 170016	
DO NOT SCALE DRAWING			SHEET 36 OF 37

COPYRIGHT © 1977 BY WESTERN PERIPHERALS, INC.



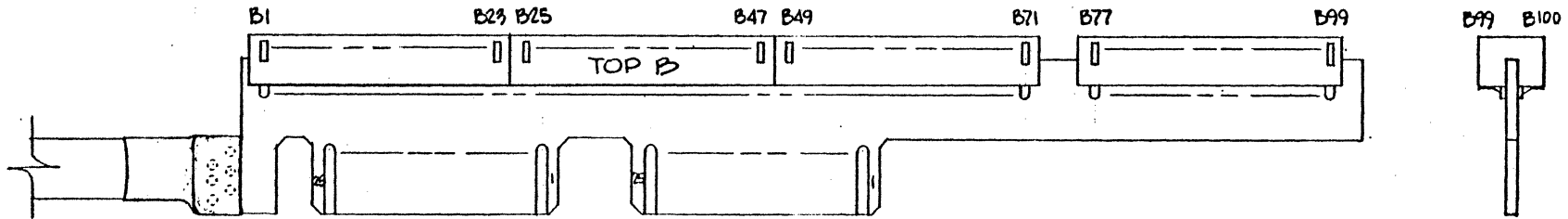
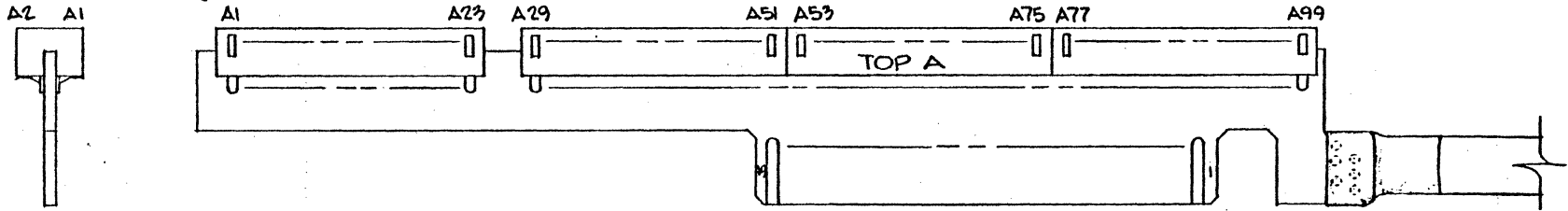
REVISIONS			
LTR	DESCRIPTION	DATE	APPROVED



TOLERANCES UNLESS OTHERWISE SPECIFIED FRACTIONS DEC. ANGLES ± ± ±		western peripherals ANAHEIM, CALIFORNIA	
APPROVALS DRAWN HRB 1-31-77 CHECKED		DATE 1-31-77	
SCALE		SIZE B	DRAWING NO. 120016
DO NOT SCALE DRAWING			SHEET 37 OF 37

COPYRIGHT © 1977 BY WESTERN PERIPHERALS, INC.


REVISIONS			
LTR	DESCRIPTION	DATE	APPROVED



NOTE:

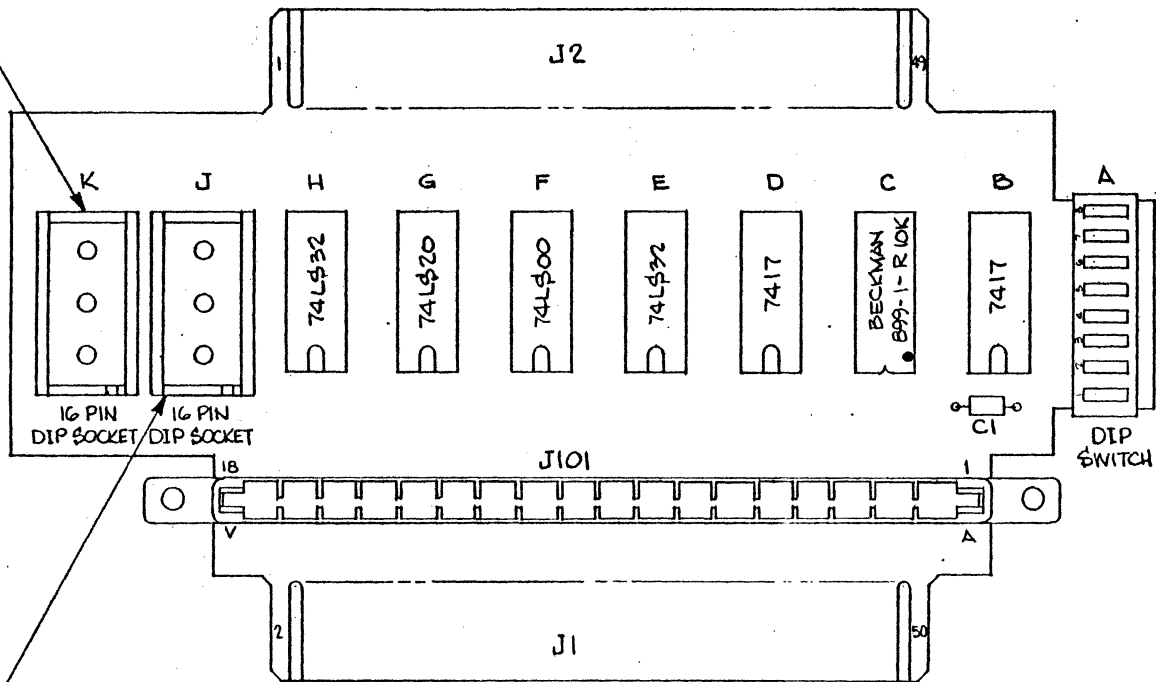
1. REF SCHEMATIC DWG. NO. 122023.

COPYRIGHT © 1976 BY WESTERN PERIPHERALS, INC.

TOLERANCES UNLESS OTHERWISE SPECIFIED FRACTIONS DEC. ANGLES ± ± ±		 western peripherals ANAHEIM, CALIFORNIA		
APPROVALS	DATE			ASSEMBLY DWG. ADAPTER, NOVA BACKPLANE
DRAWN <i>HRD</i>	2-17-76	SCALE	SIZE	
CHECKED <i>EL</i>	2-25-76	1.5:1	B	121011
		DO NOT SCALE DRAWING		SHEET 1 OF 1

REVISIONS			
LTR	DESCRIPTION	DATE	APPROVED


FOR SELECT JUMPER PLUG-IN
 PN122012 OR
 PN122011 OR
 PN122010



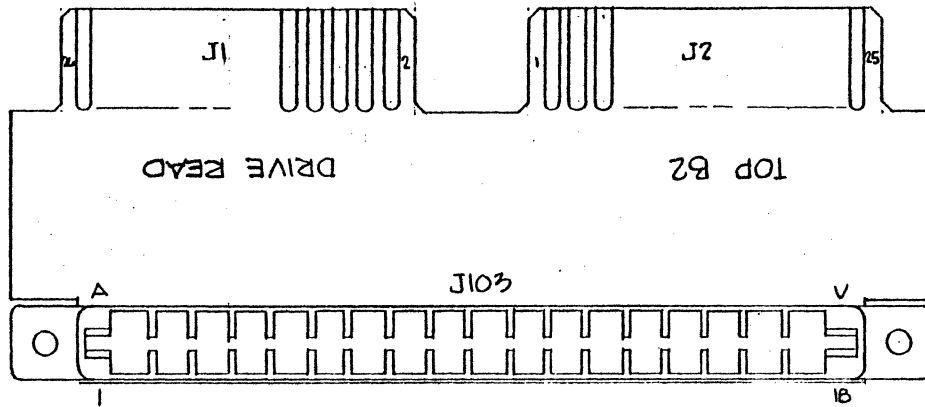
FOR TERMINATOR RESISTOR NETWORK
 BECKMAN # 898-5-R220/330 OR EQUIVILANT.

NOTE:

1. REF SCHEMATIC DWG. NO. 122020.

TOLERANCES UNLESS OTHERWISE SPECIFIED FRACTIONS DEC. ANGLES ± ± ±		 western peripherals ANAHEIM, CALIFORNIA				
APPROVALS	DATE			ASSEMBLY DWG. ADAPTER TAPE CONTROL CONNECTOR		
DRAWN <i>HRB</i>	2-11-76	CHECKED <i>u.l.</i>	2-25-76	SCALE 2:1	SIZE B	DRAWING NO. 122004
DO NOT SCALE DRAWING				SHEET 1 OF 1		


REVISIONS			
LTR	DESCRIPTION	DATE	APPROVED



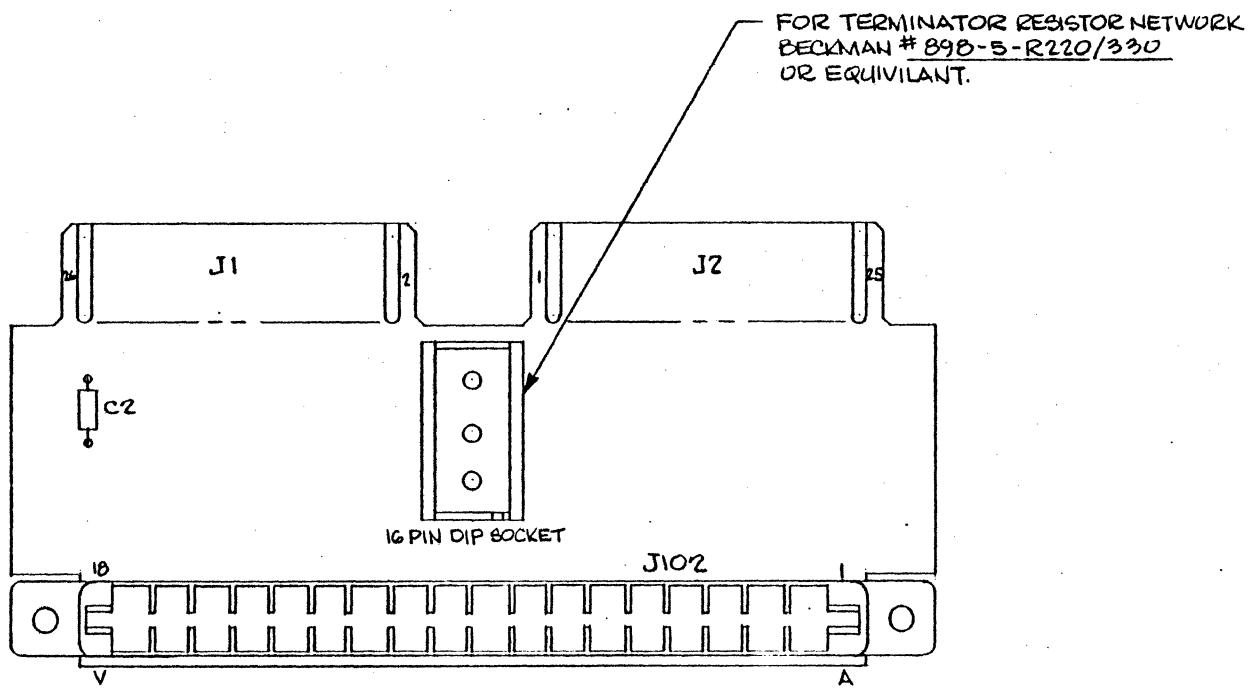
NOTE:

1. REF SCHEMATIC DWG. NO. 122022.

COPYRIGHT © 1976 BY WESTERN PERIPHERALS, INC.

TOLERANCES UNLESS OTHERWISE SPECIFIED		 western peripherals ANAHEIM, CALIFORNIA	
FRACTIONS	DEC.		
±	±	±	ASSEMBLY DWG. ADAPTER, TAPE READ CONNECTOR
APPROVALS	DATE	SCALE	
DRAWN <i>HRB</i>	<i>2-13-76</i>	<i>2:1</i>	
CHECKED	<i>2-25-76</i>	SIZE B	DRAWING NO. 122005
DO NOT SCALE DRAWING			SHEET 1 OF 1

REVISIONS			
LTR	DESCRIPTION	DATE	APPROVED

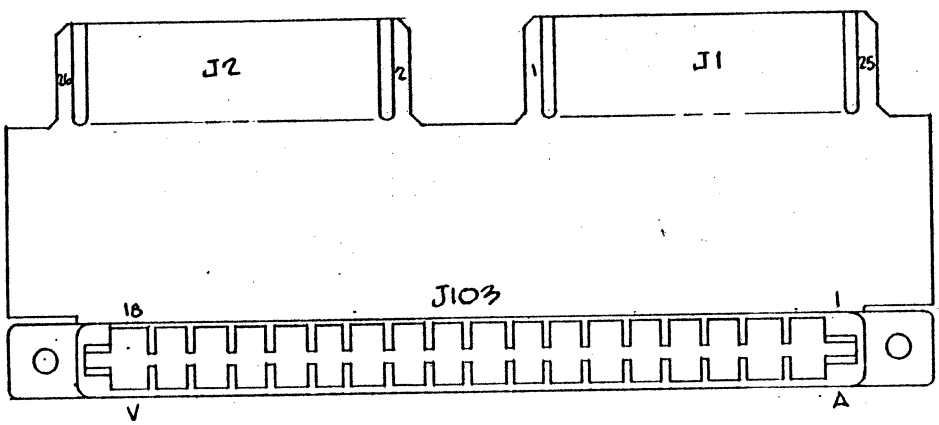


NOTE:
 1. REF SCHEMATIC DWG. NO. 122021.

COPYRIGHT © 1976 BY WESTERN PERIPHERALS, INC.


TOLERANCES UNLESS OTHERWISE SPECIFIED		western peripherals <small>ANAHEIM, CALIFORNIA</small>	
FRACTIONS	DEC.		
±	±	±	ASSEMBLY DWG. ADAPTER, TAPE WRITE CONNECTOR
APPROVALS	DATE	SCALE	
DRAWN <i>HEB</i>	2-12-76	2:1	
CHECKED <i>HEB</i>	2-25-76	SIZE B	
		DRAWING NO.	122006
		DO NOT SCALE DRAWING	SHEET 1 of 1

REVISIONS			
LTR	DESCRIPTION	DATE	APPROVED

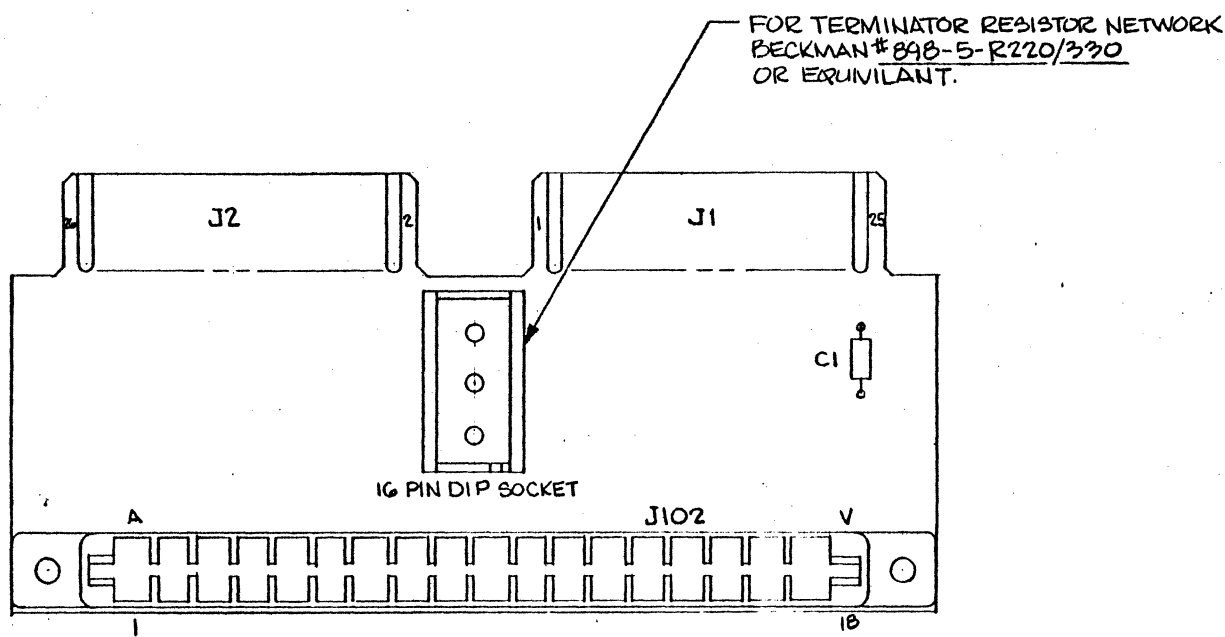


NOTE:

1. REF SCHEMATIC DWG. NO. 122022.


TOLERANCES UNLESS OTHERWISE SPECIFIED		 western peripherals ANAHEIM, CALIFORNIA	
FRACTIONS	DEC.		
±	±	±	ASSEMBLY DWG. ADAPTER, TAPE READ KENNEDY CYpher
APPROVALS	DATE	SCALE	SIZE
DRAWN	DATE		
CHECKED	DATE	DRAWING NO.	SHEET 1 of 1
DO NOT SCALE DRAWING			

REVISIONS			
LTR	DESCRIPTION	DATE	APPROVED

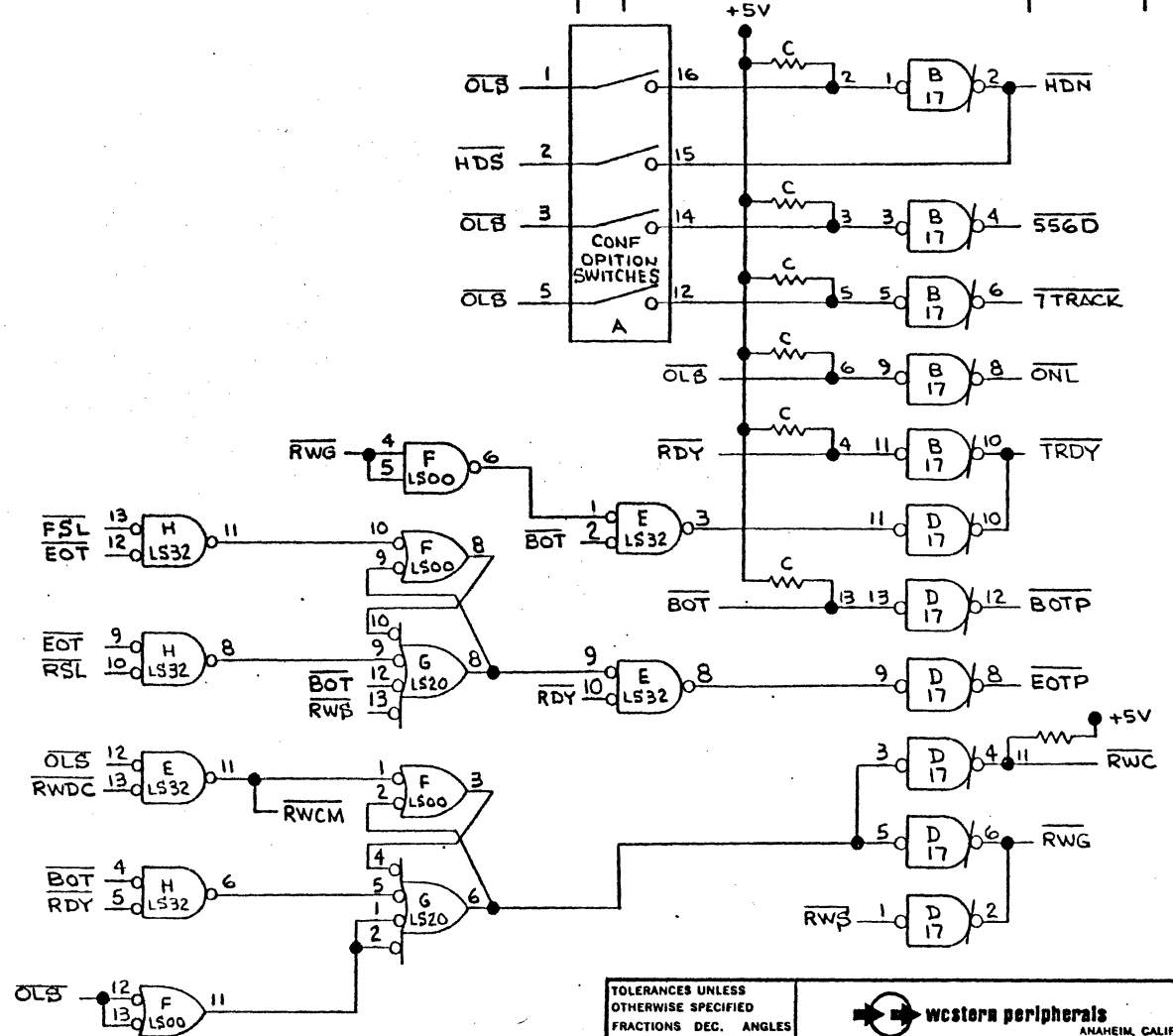
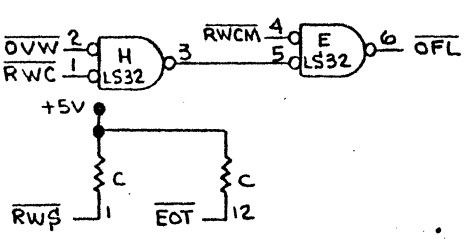
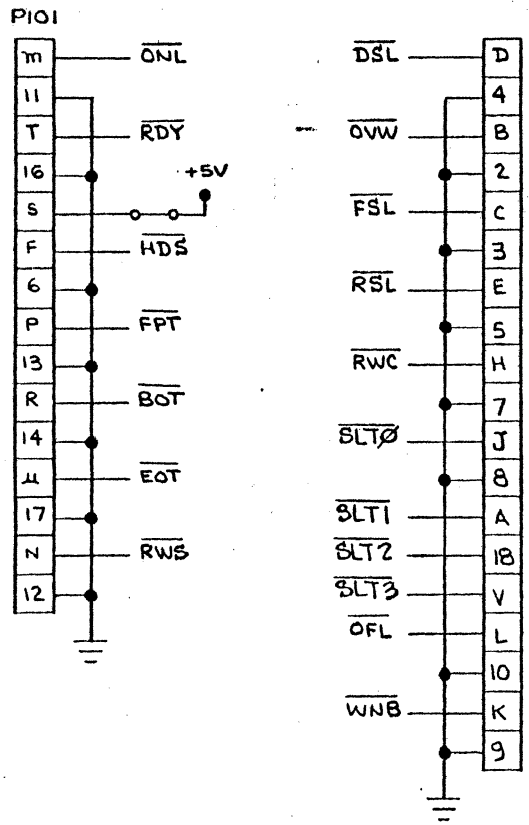


NOTE:
1. REF SCHEMATIC DWG. NO. 122021.

COPYRIGHT © 1976 BY WESTERN PERIPHERALS, INC.

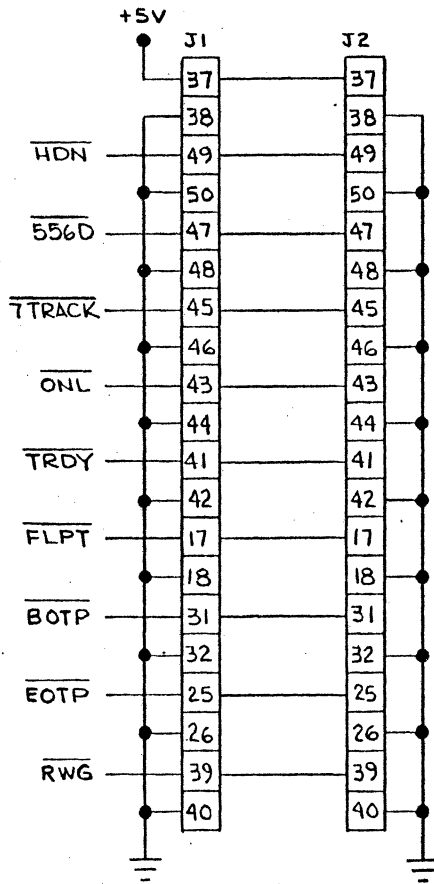
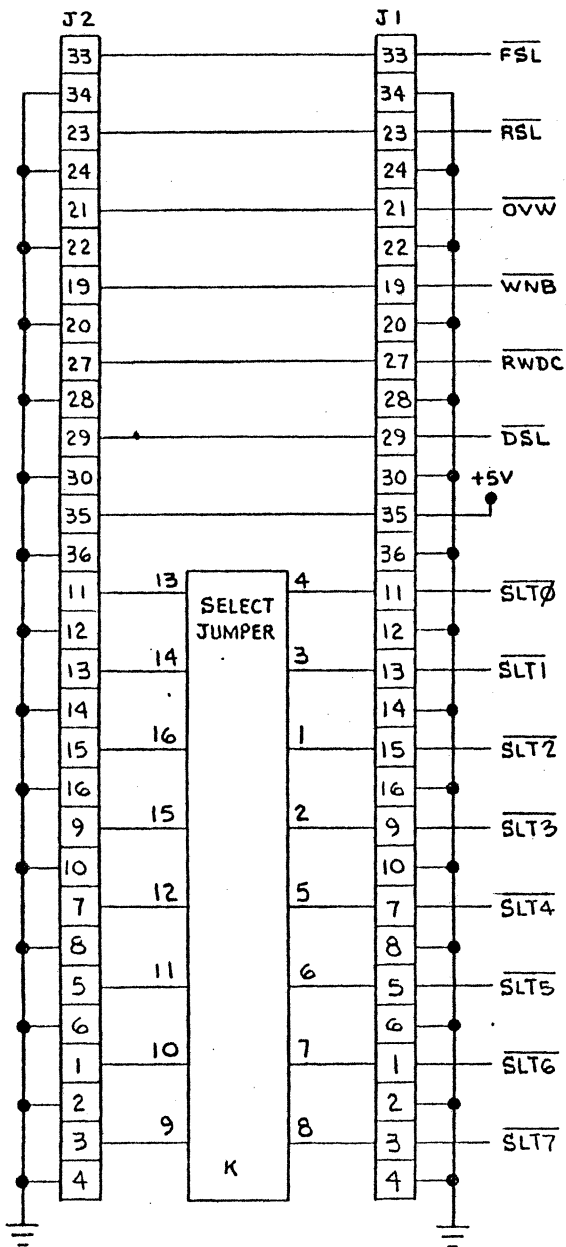
TOLERANCES UNLESS OTHERWISE SPECIFIED		 western peripherals ANAHEIM, CALIFORNIA	
FRACTIONS	DEC.		
±	±	±	ASSEMBLY DWG. ADAPTER, TAPE WRITE. KENNEDY CYPHER
APPROVALS	DATE	SCALE	SIZE
DRAWN <i>HRB</i>	<i>2-12-76</i>	<i>2:1</i>	<i>B</i>
CHECKED <i>L</i>	<i>2-25-76</i>	DRAWING NO.	
		<i>122019</i>	
DO NOT SCALE DRAWING			SHEET <i>OF</i>

REVISIONS			
LTR	DESCRIPTION	DATE	APPROVED

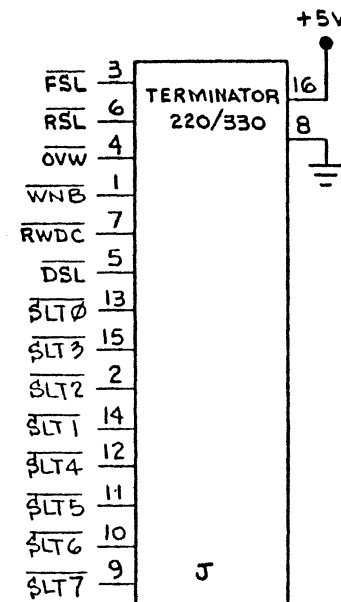


COPYRIGHT © 1976 BY WESTERN PERIPHERALS, INC.

TOLERANCES UNLESS OTHERWISE SPECIFIED FRACTIONS DEC. ANGLES ± ± ±		western peripherals ANAHEIM, CALIFORNIA			
APPROVALS	DATE			SCHEMATIC TAPE CONTROL ADAPTER CONNECTOR	
DRAWN	ALEX	12-9-75	SCALE		
CHECKED				B	122020-A
DO NOT SCALE DRAWING				SHEET 1 OF 2	

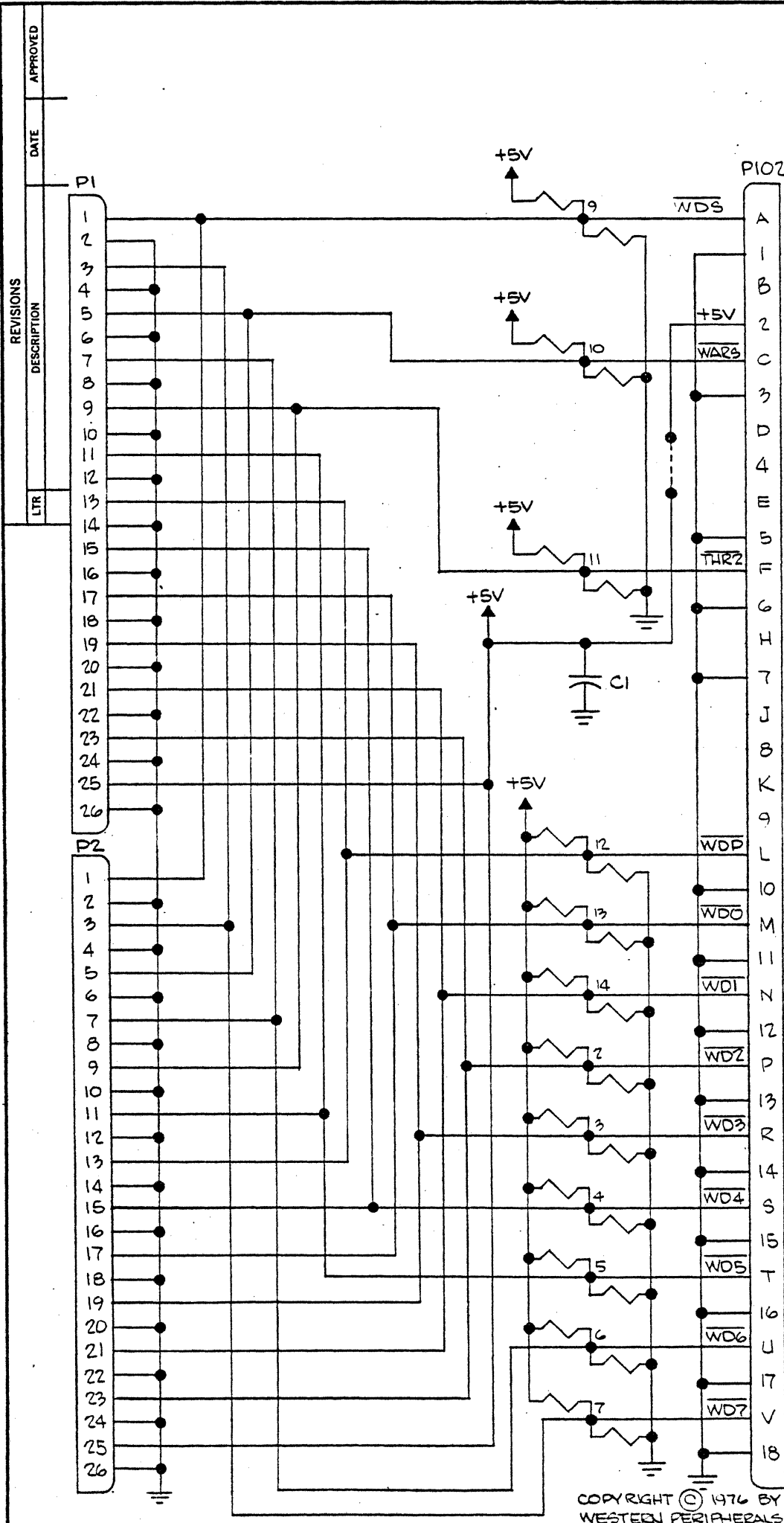


REVISIONS			
LTR	DESCRIPTION	DATE	APPROVED



TOLERANCES UNLESS OTHERWISE SPECIFIED FRACTIONS DEC. ANGLES ± ± ±		western peripherals ANAHEIM, CALIFORNIA	
APPROVALS DRAWN ALEX 12-9-75		DATE 12-9-75	
CHECKED		SCALE	SIZE B
		DRAWING NO. 122020-A	
DO NOT SCALE DRAWING			SHEET 2 OF 2

COPYRIGHT © 1976 BY WESTERN PERIPHERALS, INC.

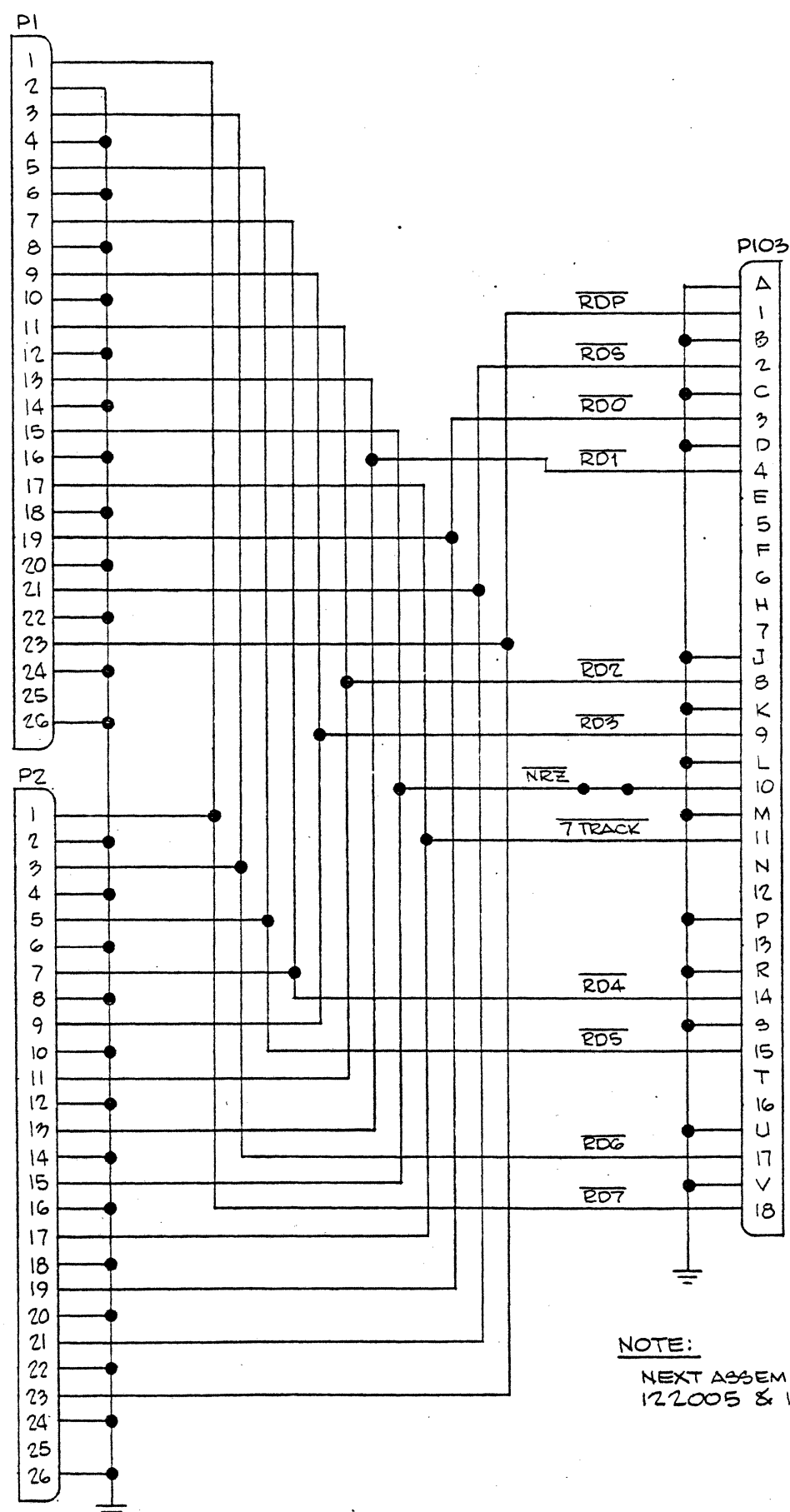


REVISIONS	DATE	APPROVED
DESCRIPTION		
LTR		

western peripherals ANAHEIM, CALIFORNIA		SCHEMATIC ADPTR. TAPE WRITE CONNECTOR		DRAWING NO. 122021	SHEET 1 OF 1
TOLERANCES UNLESS OTHERWISE SPECIFIED FRACTIONS DEC. ANGLES		APPROVALS DRAWN: HRD CHECKED: JLL		SCALE NONE	DO NOT SCALE DRAWING
		DATE 1-12-76			
		1-26-74			

NOTE:
 NEXT ASSY. NO.
 122006 & 122019.

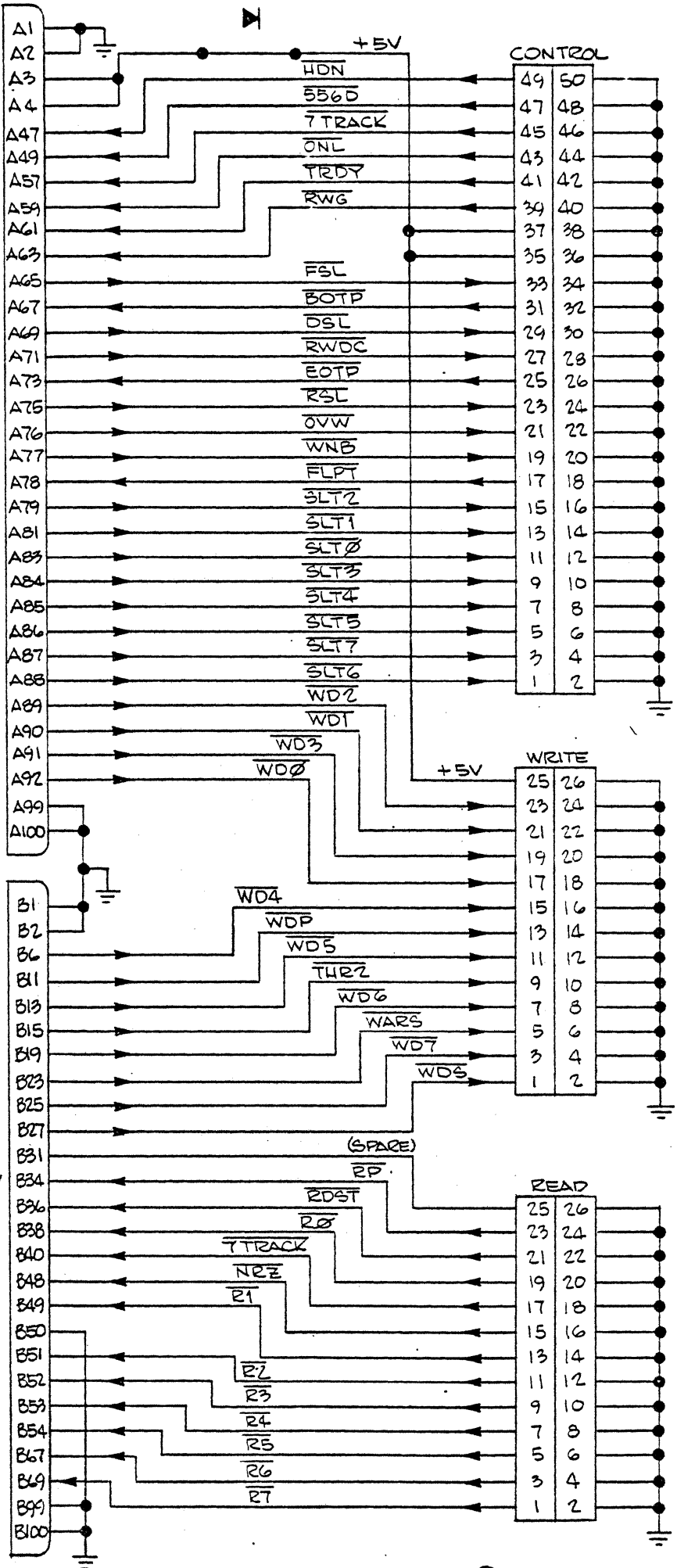
REVISIONS	DATE	APPROVED
	DESCRIPTION	
LTR		



NOTE:
NEXT ASSEMBLY NO.
122005 & 122010.

 western peripherals ANNHEIM, CALIFORNIA		SCHEMATIC ADPTR. TAPE READ CONNECTOR		SIZE DRAWING NO. NONE B 122022		DO NOT SCALE DRAWING SHEET 1 OF 1	
TOLERANCES UNLESS OTHERWISE SPECIFIED	FRACTIONS DEC.	ANGLES	DATE	APPROVALS	CHECKED	SCALE	
±	±	±	1-13-76	HRB	JL	1-26-76	

REVISIONS	DATE	APPROVED
DESCRIPTION		
LTR		
COMPUTER "A" CONNECTOR		



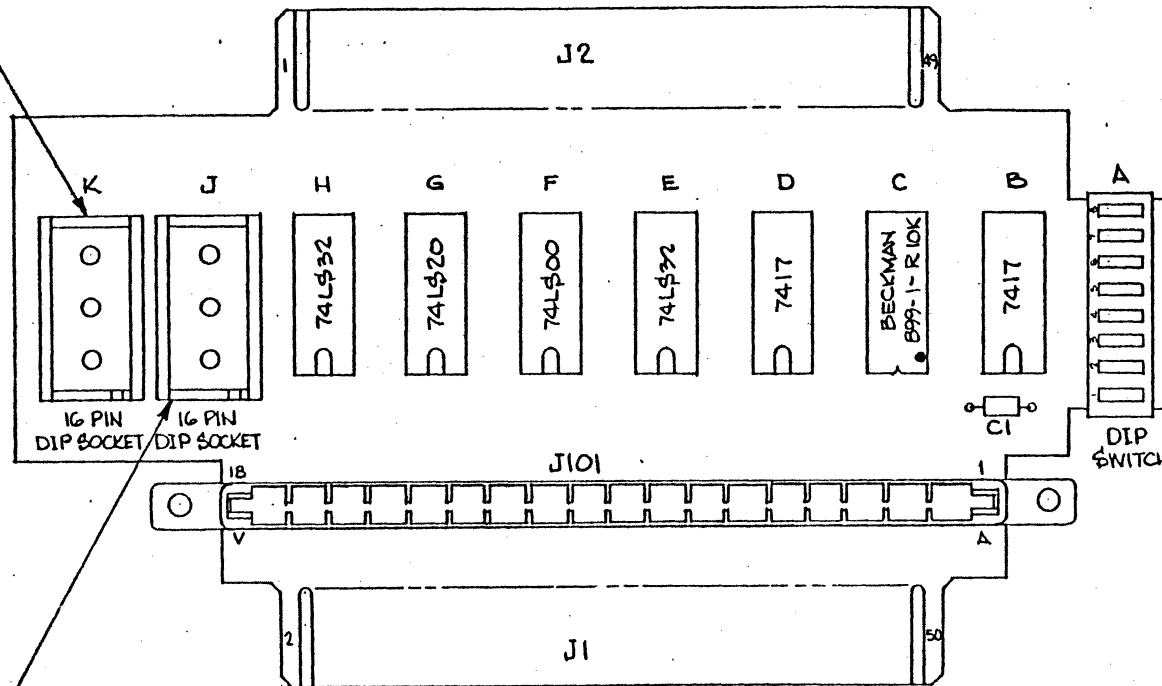
TOLERANCES UNLESS OTHERWISE SPECIFIED		FRACTIONS DEC.		ANGLES	
±	±	±	±	±	±
APPROVALS	DATE				
DRAWN HEB	1-25-76				
CHECKED	1-26-76				
western peripherals ANAHEIM, CALIFORNIA		SCHEMATIC NOVA BACKPLANE ADAPTER		DRAWING NO. 122023	
SCALE NONE		SIZE B		DO NOT SCALE DRAWING	
				SHEET 1 OF 1	

COMPUTER "A" CONNECTOR		
A1		
A2		
A3		
A4		
A47		
A49		
A57		
A59		
A61		
A63		
A65		
A67		
A69		
A71		
A73		
A75		
A76		
A77		
A78		
A79		
A81		
A83		
A84		
A85		
A86		
A87		
A88		
A89		
A90		
A91		
A92		
A99		
A100		
COMPUTER "B" CONNECTOR		
B1		
B2		
B6		
B11		
B13		
B15		
B19		
B23		
B25		
B27		
B31		
B34		
B36		
B38		
B40		
B48		
B49		
B50		
B51		
B52		
B53		
B54		
B67		
B69		
B99		
B100		

NOTE:
NEXT ASSEMBLY NO. 121011

REVISIONS			
LTR	DESCRIPTION	DATE	APPROVED


FOR SELECT JUMPER PLUG-IN
 PN122012 OR
 PN122011 OR
 PN122010



FOR TERMINATOR RESISTOR NETWORK
 BECKMAN # 898-5-R220/330 OR EQUIVILANT.

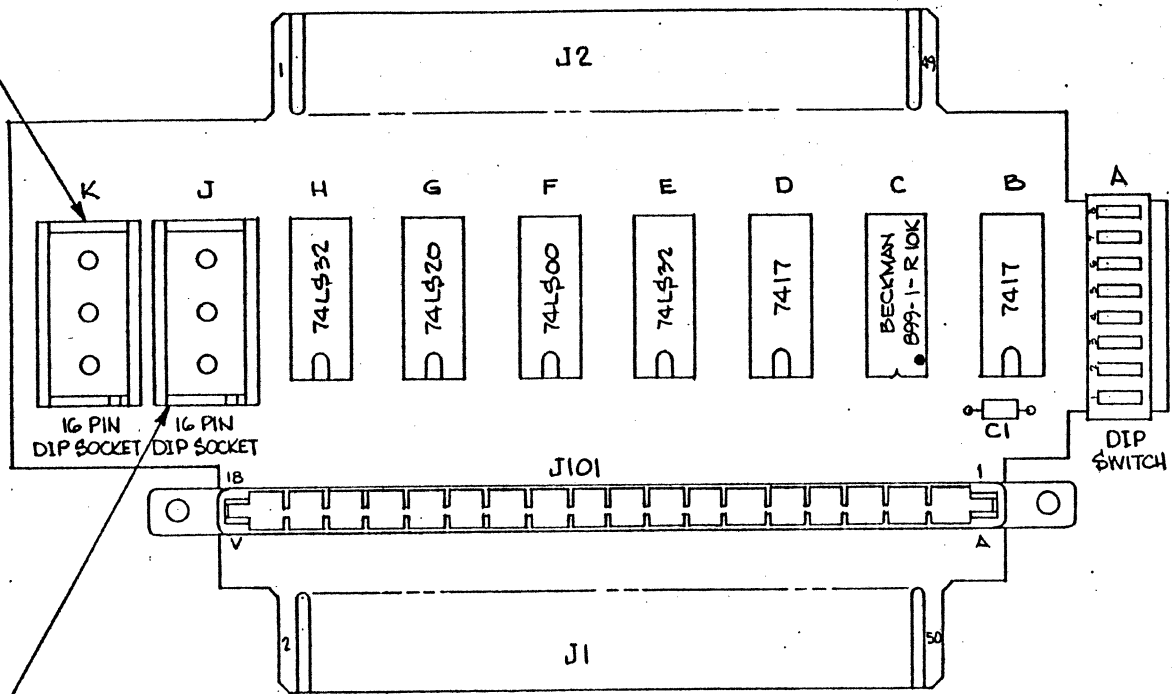
NOTE:

1. REF SCHEMATIC DWG. NO. 122030.

TOLERANCES UNLESS OTHERWISE SPECIFIED FRACTIONS DEC. ANGLES ± ± ±			 western peripherals <small>ANAHEIM, CALIFORNIA</small>	
APPROVALS			DATE	
DRAWN <i>HRB</i>			2-11-76	
CHECKED <i>al</i>			2-25-76	
SCALE		SIZE	DRAWING NO.	
2:1		B	122024	
DO NOT SCALE DRAWING			SHEET 1 OF 1	

REVISIONS			
LTR	DESCRIPTION	DATE	APPROVED


FOR SELECT JUMPER PLUG-IN
 PN122012 OR
 PN122011 OR
 PN122010



FOR TERMINATOR RESISTOR NETWORK
 BECKMAN #898-5-R220/330 OR EQUIVILANT.

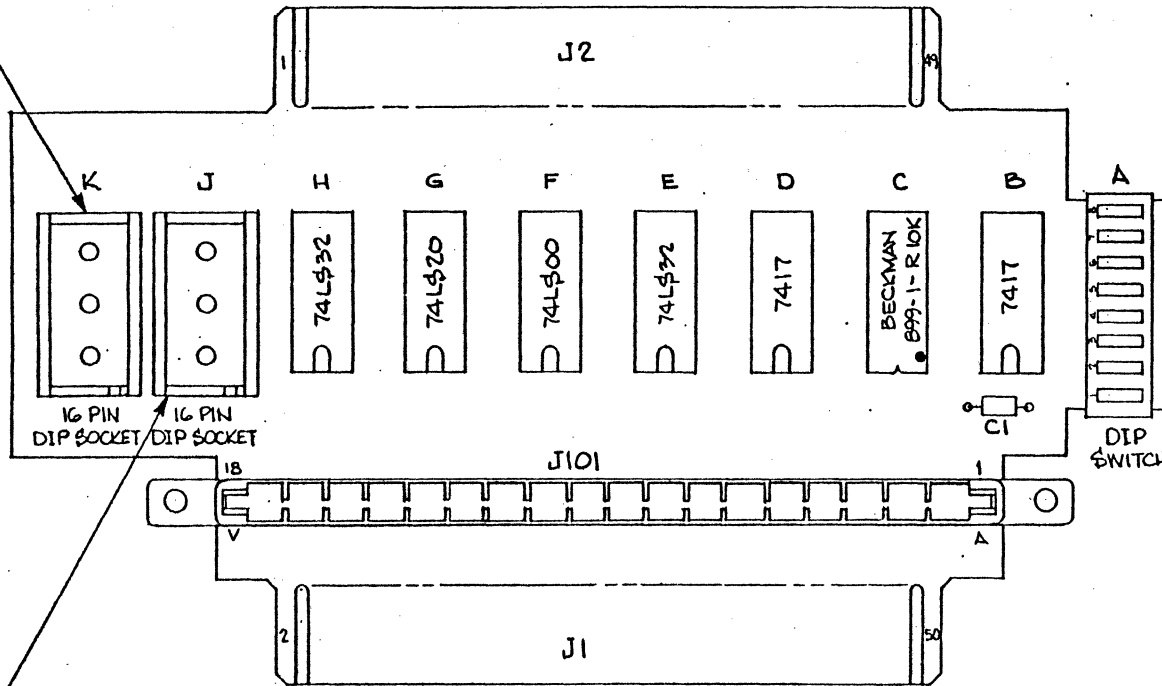
NOTE:

1. REF SCHEMATIC DWG. NO. 122028.

TOLERANCES UNLESS OTHERWISE SPECIFIED FRACTIONS DEC. ANGLES		 western peripherals <small>ANAHEIM, CALIFORNIA</small>					
±	±			ASSEMBLY DWG. ADAPTER, TAPE CONTROL CONNECTOR			
APPROVALS	DATE	SCALE	SIZE	DRAWING NO.			
DRAWN <i>HRB</i>	2-11-76				2:1	B	122025
CHECKED <i>at</i>	2-25-76						
DO NOT SCALE DRAWING		SHEET 1 OF 1					

REVISIONS			
LTR	DESCRIPTION	DATE	APPROVED


FOR SELECT JUMPER PLUG-IN
 PN122012 OR
 PN122011 OR
 PN122010



FOR TERMINATOR RESISTOR NETWORK
 BECKMAN #898-5-R220/330 OR EQUIVILANT.

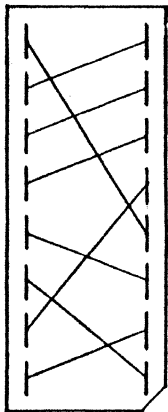
NOTE:

1. REF SCHEMATIC DWG. NO. 122029.

TOLERANCES UNLESS OTHERWISE SPECIFIED		 western peripherals ANAHEIM, CALIFORNIA	
FRACTIONS	DEC.		
±	±	±	ASSEMBLY DWG. ADAPTER, TAPE CONTROL CONNECTOR
APPROVALS	DATE	SCALE	
DRAWN <i>HRB</i>	2-11-76	2:1	
CHECKED <i>AL</i>	2-25-76	SIZE B	DRAWING NO. 122026
DO NOT SCALE DRAWING		SHEET 1 OF 1	

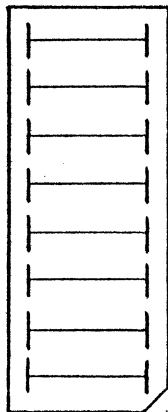
REVISIONS			
LTR	DESCRIPTION	DATE	APPROVED

16 PIN
HEADER



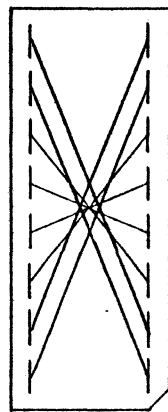
NON SELECT UNIT JUMPER
PN 122012

16 PIN
HEADER



SELECT UNIT JUMPER
PN 122010

16 PIN
HEADER



SELECT UNIT JUMPER
FOURTH EXPORT
PN 122011

TOLERANCES UNLESS OTHERWISE SPECIFIED	
FRACTIONS DEC.	ANGLES
±	±
APPROVALS	DATE
DRAWN <i>HRS</i>	2-23-76
CHECKED <i>HL</i>	2-25-76

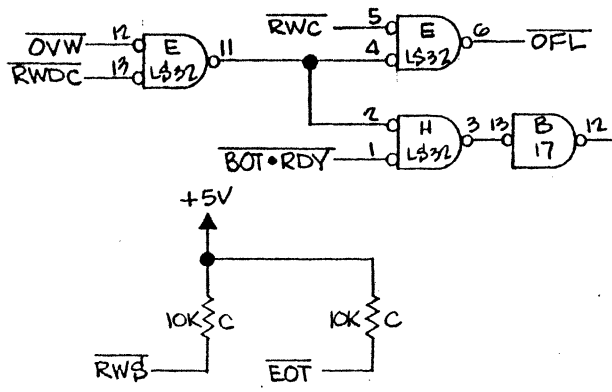
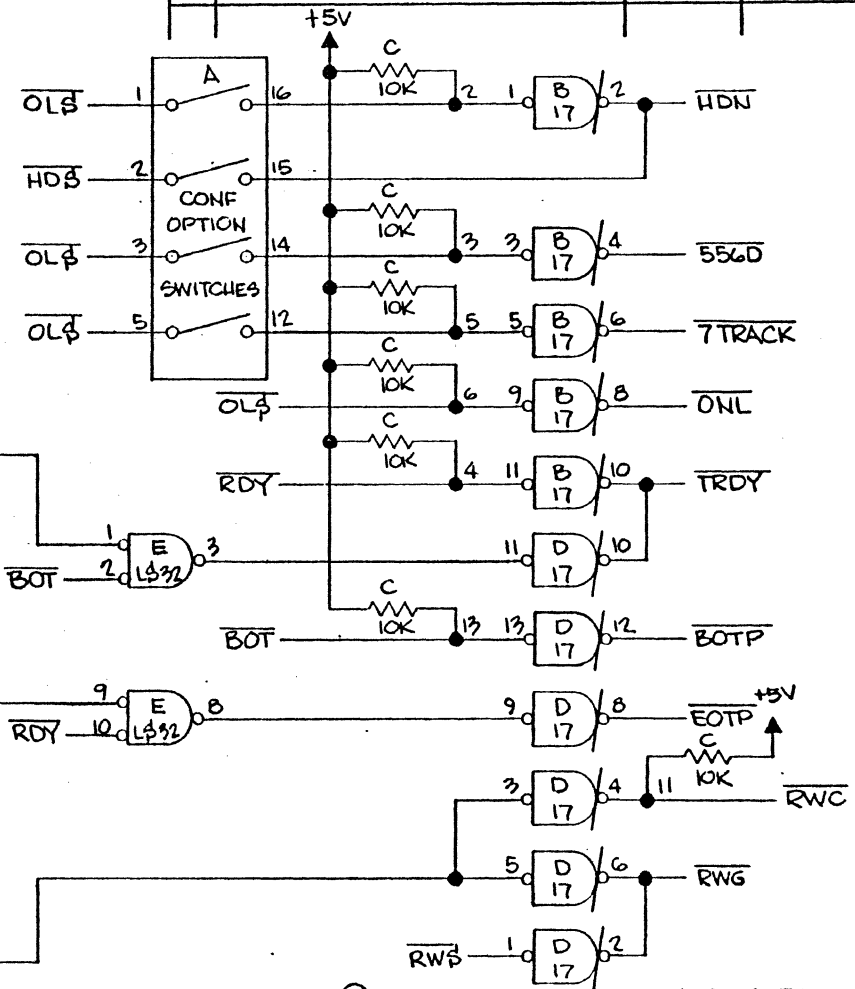
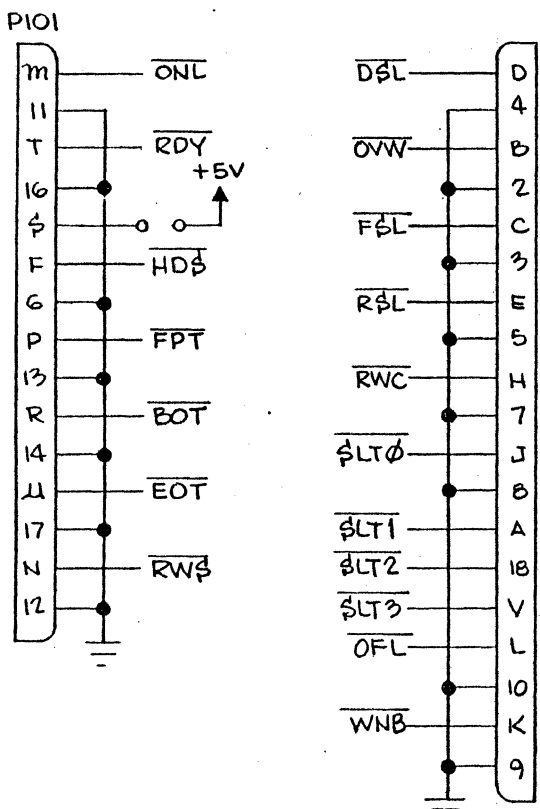
western peripherals
ANAHEIM, CALIFORNIA

WIRING DIAGRAM
CONTROL ADAPTER
SELECT JUMPER PLUG-IN

SCALE	SIZE	DRAWING NO.
NONE	B	122027
DO NOT SCALE DRAWING		SHEET 1 OF 1

COPYRIGHT © 1976 BY WESTERN PERIPHERALS, INC.

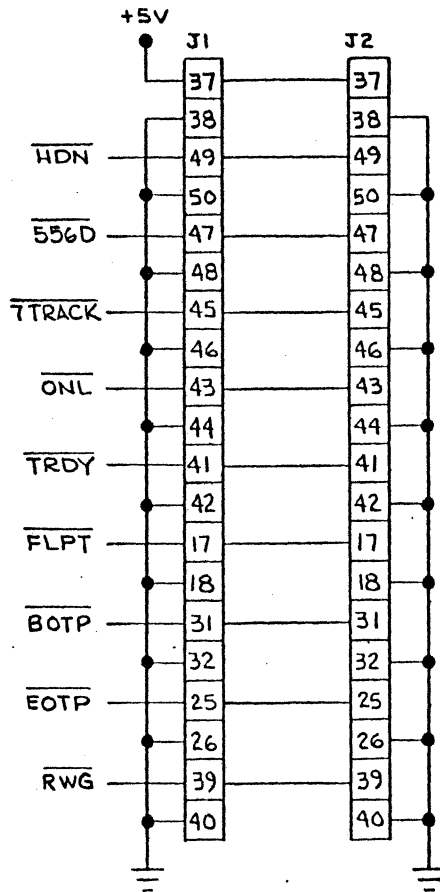
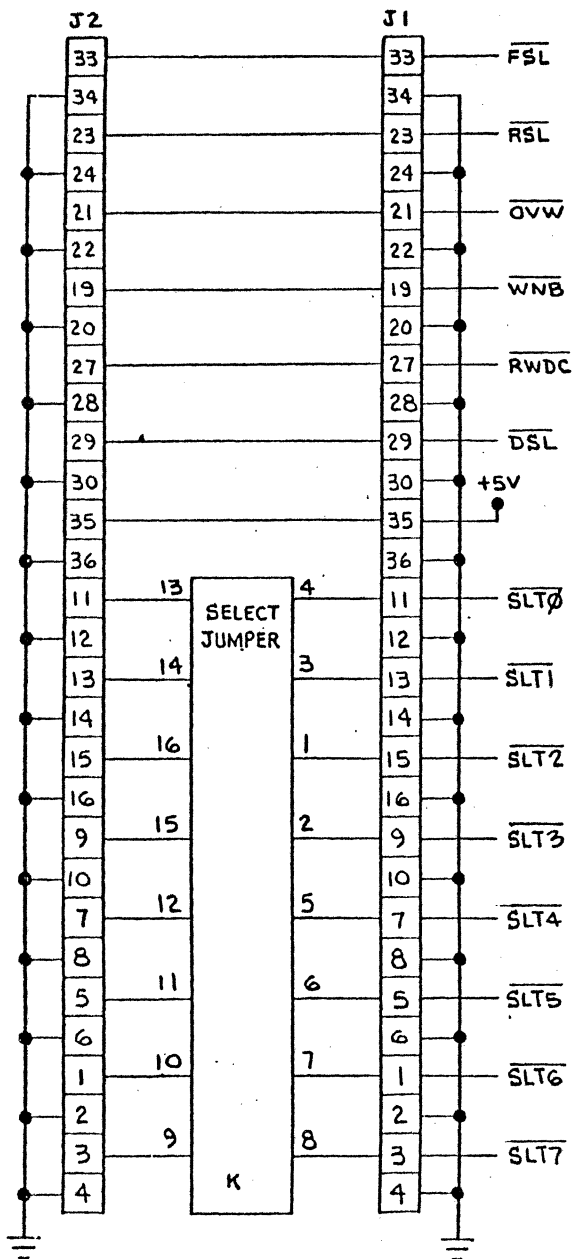
REVISIONS			
LTR	DESCRIPTION	DATE	APPROVED



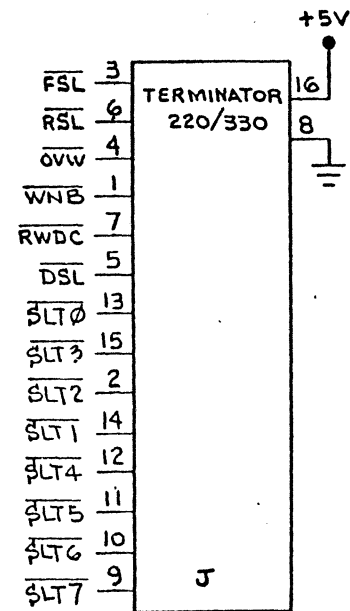
NOTES: UNLESS OTHERWISE SPECIFIED
 1. ALL RESISTANCE IS IN OHMS.
 2. NEXT ASSEMBLY NO. 122025.

COPYRIGHT © 1976 BY WESTERN PERIPHERALS, INC.

TOLERANCES UNLESS OTHERWISE SPECIFIED		western peripherals	
FRACTIONS	DEC.	ANGLES	ANAHEIM, CALIFORNIA
±	±	±	
APPROVALS	DATE	SCHEMATIC TAPE CONTROL ADAPTER WITH OFFLINE CONTROL	
DRAWN HRB	2-14-76	SCALE	SIZE B
CHECKED	2-25-76	DRAWING NO.	122028
		DO NOT SCALE DRAWING	SHEET 1 OF 2



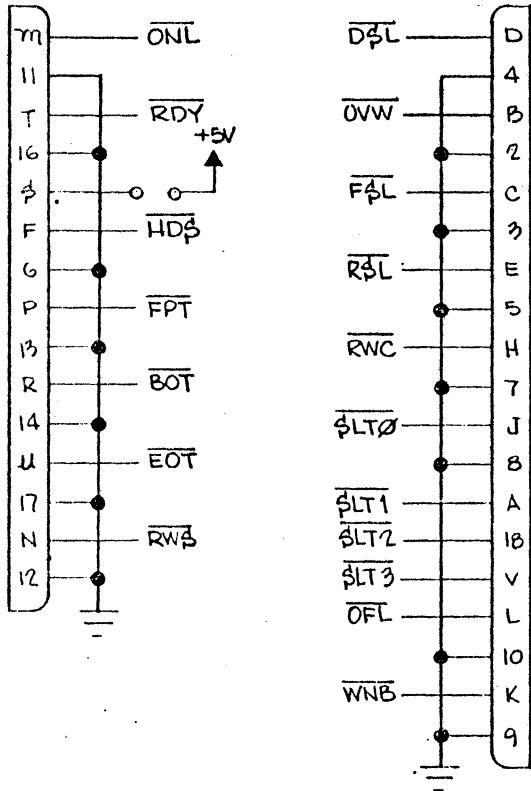
REVISIONS			
LTR	DESCRIPTION	DATE	APPROVED



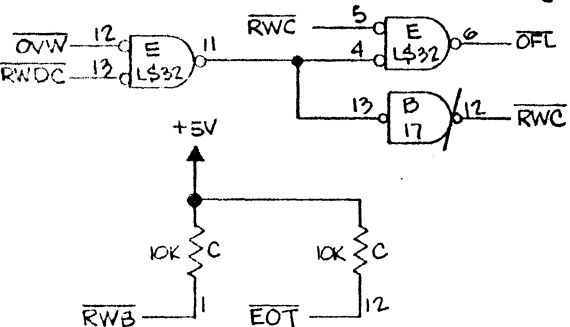
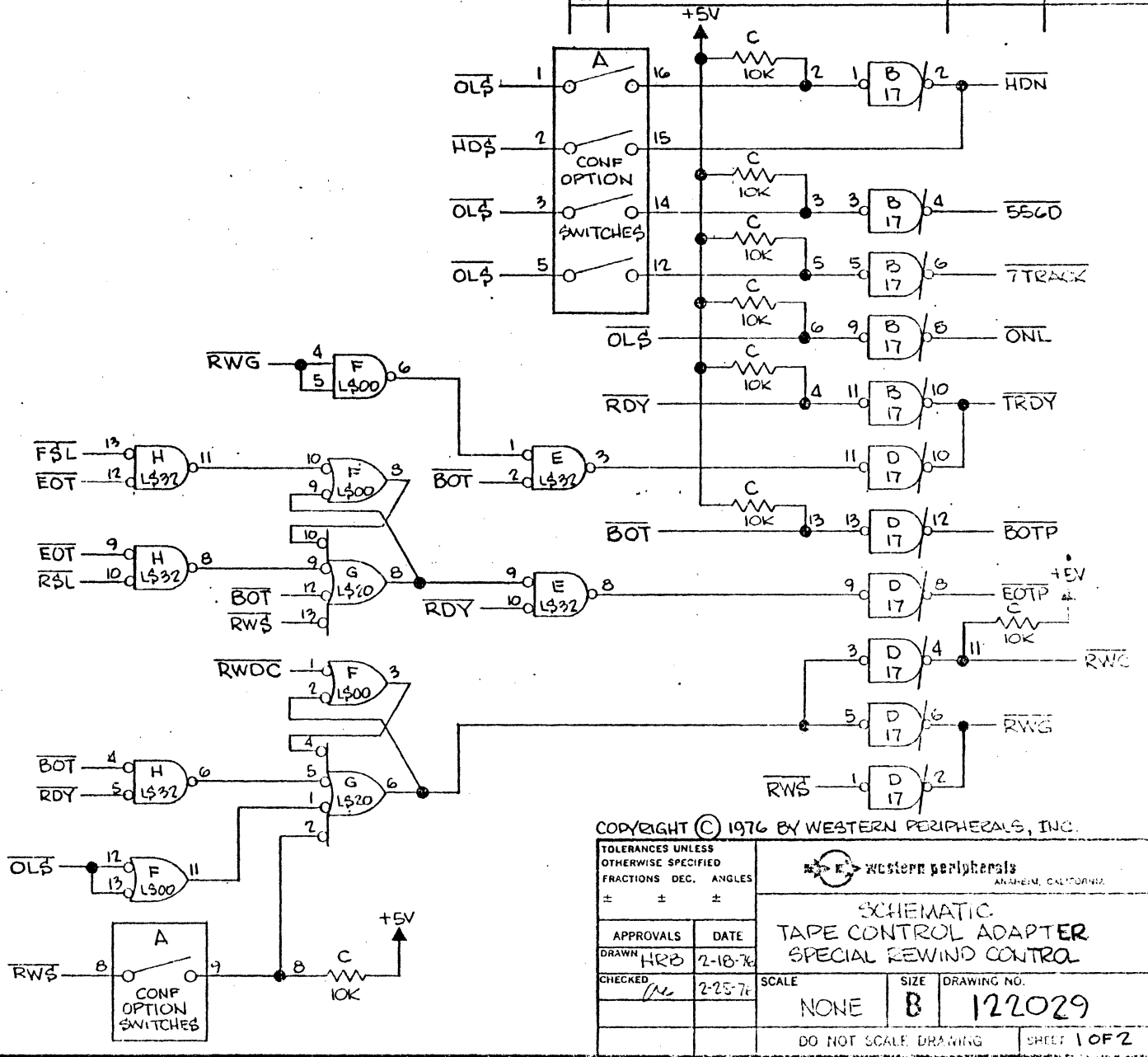
COPYRIGHT © 1976 BY WESTERN PERIPHERALS, INC.

TOLERANCES UNLESS OTHERWISE SPECIFIED FRACTIONS DEC. ANGLES ± ± ±		 western peripherals ANAHEIM, CALIFORNIA	
APPROVALS	DATE	SCHEMATIC TAPE CONTROL ADAPTER CONNECTOR	
DRAWN ALEX	12-9-75	SCALE	SIZE DRAWING NO. B 122028
CHECKED		DO NOT SCALE DRAWING SHEET 2 OF 2	

PI01



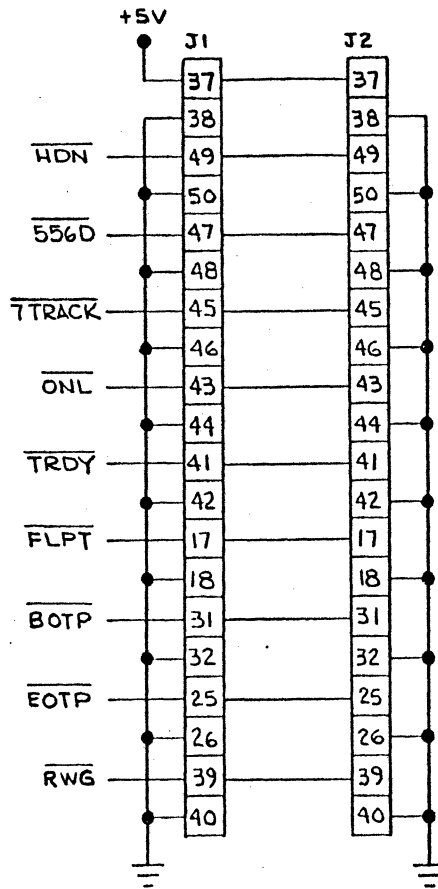
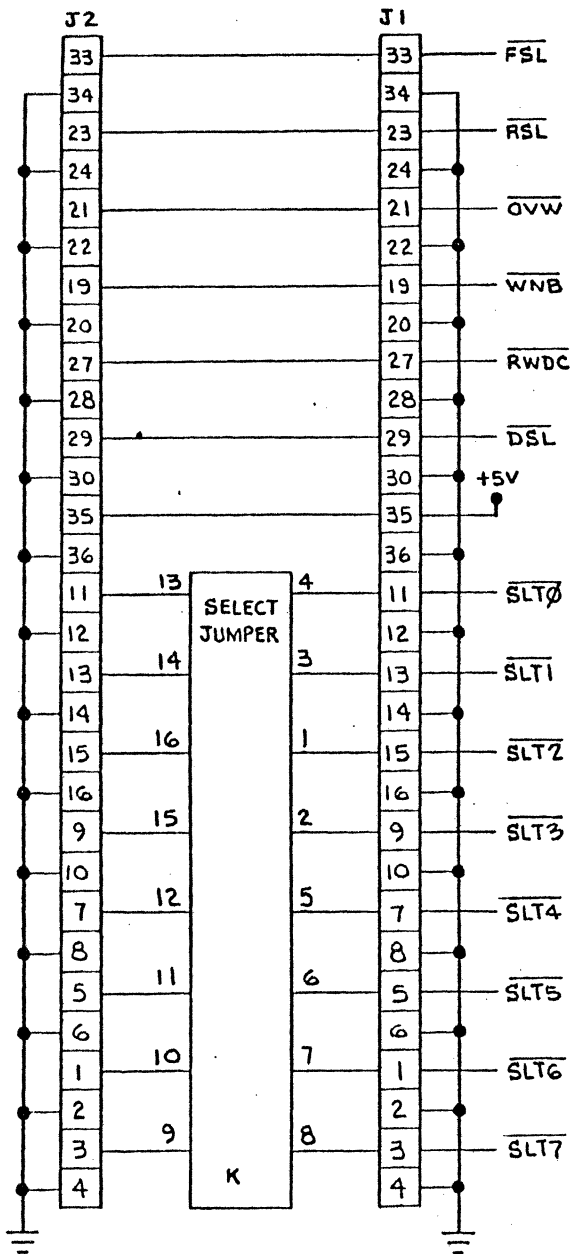
REVISIONS			
LTR	DESCRIPTION	DATE	APPROVED



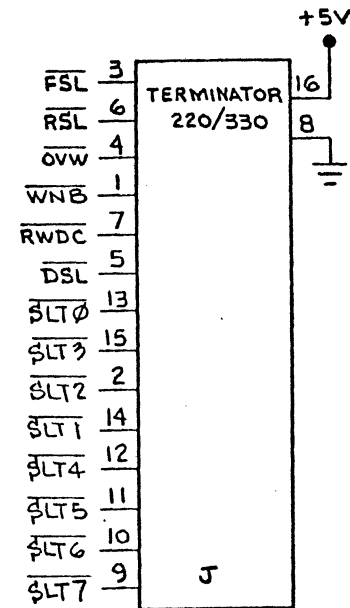
NOTES: UNLESS OTHERWISE SPECIFIED
 1. ALL RESISTANCE IS IN OHMS.
 2. NEXT ASSEMBLY NO. 122026.

COPYRIGHT © 1976 BY WESTERN PERIPHERALS, INC.

TOLERANCES UNLESS OTHERWISE SPECIFIED		western peripherals ANAHEIM, CALIFORNIA	
FRACTIONS	DEC.	ANGLES	
±	±	±	
APPROVALS	DATE	SCHEMATIC TAPE CONTROL ADAPTER SPECIAL REWIND CONTROL	
DRAWN HRB	2-18-76	SCALE	SIZE B
CHECKED [Signature]	2-25-76	DRAWING NO.	122029
		DO NOT SCALE DRAWING	SHEET 1 OF 2

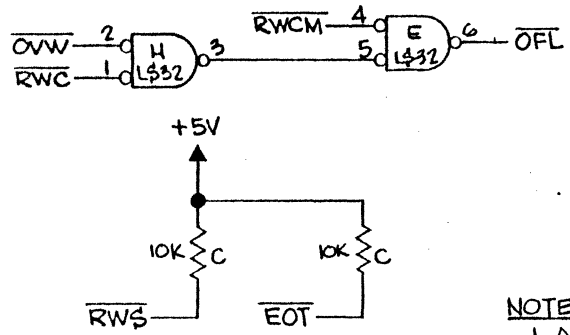
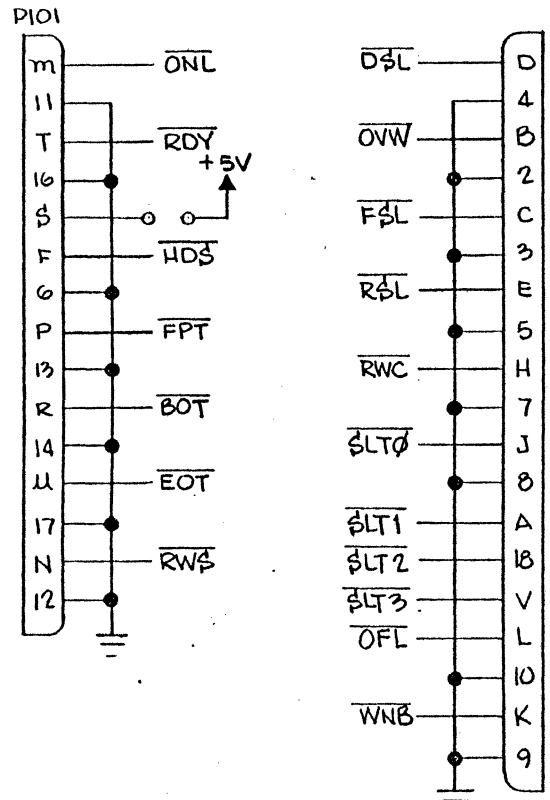


REVISIONS			
LTR	DESCRIPTION	DATE	APPROVED

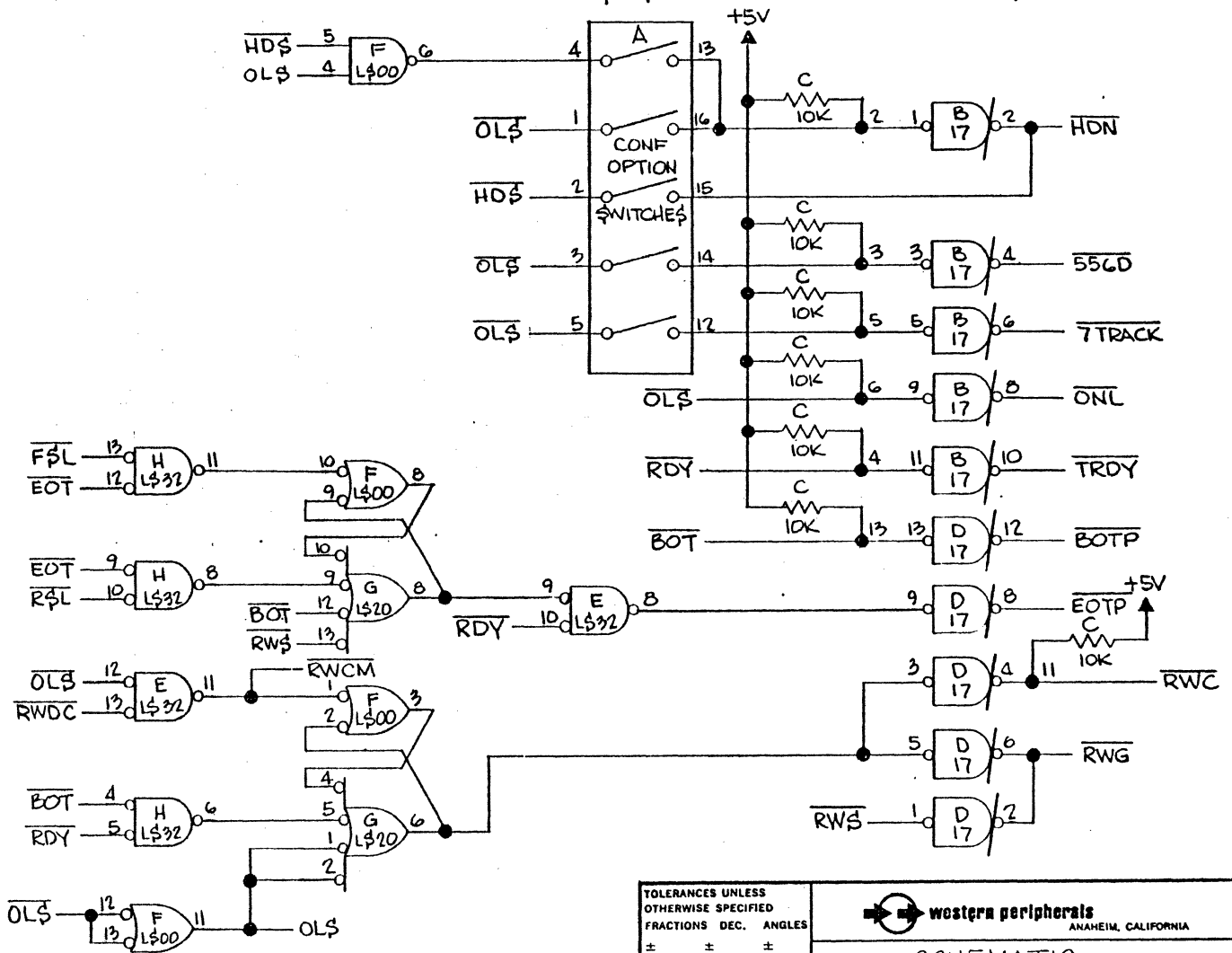


TOLERANCES UNLESS OTHERWISE SPECIFIED FRACTIONS DEC. ANGLES ± ± ±		 western peripherals ANAHEIM, CALIFORNIA	
APPROVALS DRAWN ALEX CHECKED		DATE 12-9-75 SCALE SIZE B DRAWING NO. 122029	
DO NOT SCALE DRAWING		SHEET 2 OF 2	

REVISIONS			
LTR	DESCRIPTION	DATE	APPROVED



NOTES: UNLESS OTHERWISE SPECIFIED
 1. ALL RESISTANCE IS IN OHMS
 2. NEXT ASSEMBLY NO. 122024.

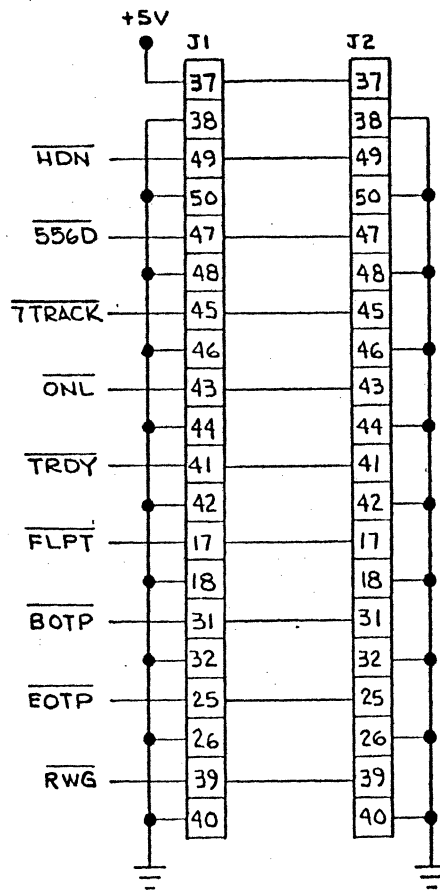
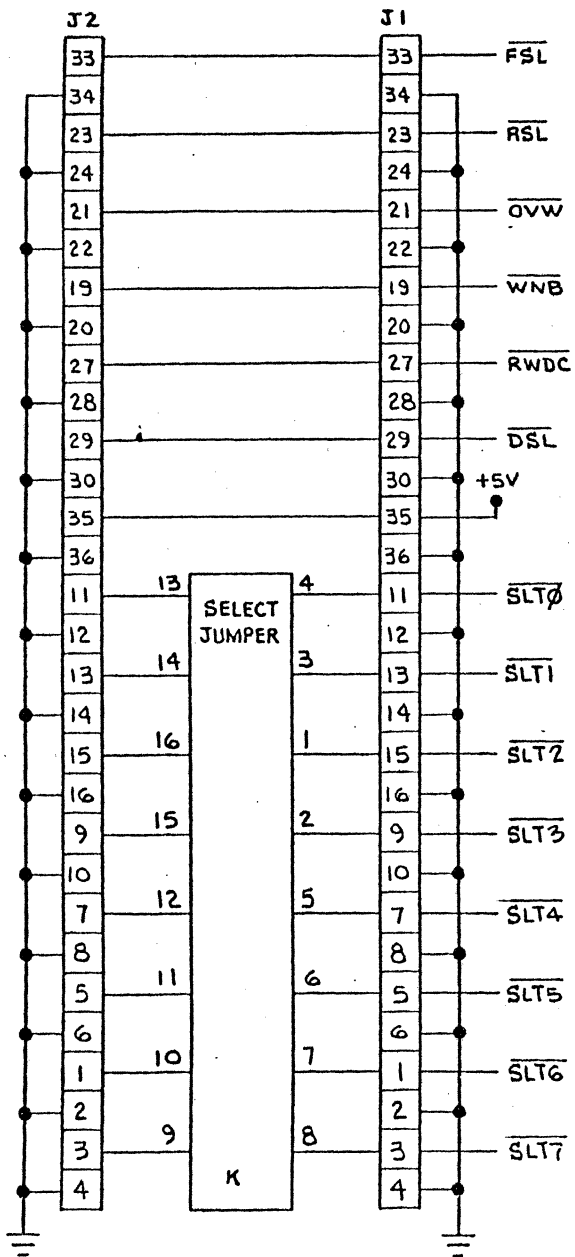


TOLERANCES UNLESS OTHERWISE SPECIFIED		FRACTIONS DEC. ANGLES	
±	±	±	±
APPROVALS	DATE	SCALE	
DRAWN HRC	2-17-76	NONE	
CHECKED JLC	2-25-76	SIZE	DRAWING NO.
		B	122030

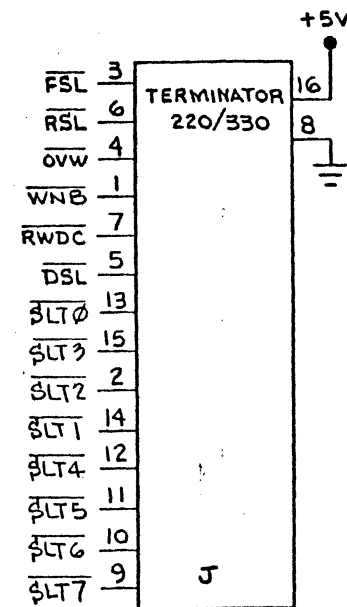
western peripherals
 ANAHEIM, CALIFORNIA

SCHMATIC
 TAPE CONTROL ADAPTOR
 NON NRZ STATUS TRANSPORTS

DO NOT SCALE DRAWING	SHEET 1 OF 2
----------------------	--------------



REVISIONS			
LTR	DESCRIPTION	DATE	APPROVED



TOLERANCES UNLESS OTHERWISE SPECIFIED FRACTIONS DEC. ANGLES ± ± ±		western peripherals ANAHEIM, CALIFORNIA	
APPROVALS		DATE	
DRAWN ALEX		12-9-75	
CHECKED		SCALE	SIZE B
		DRAWING NO. 122030	
DO NOT SCALE DRAWING			SHEET 2 OF 2

SWITCH OPERATION DESCRIPTION

1. GRAYHILL - ON = ROCKER DEPRESSED TO NUMBERED SIDE
2. CTS - ON = TOGGLE POSITIONED TO NUMBERED SIDE

REVISIONS			
LTR	DESCRIPTION	DATE	APPROVED

CONFIGURATION SETTINGS

	DESCRIPTION	SYSTEM CONSIDERATIONS
3-A1 ON	FOR DRIVES THAT REQUIRE REWIND COMMAND REMOVAL PRIOR TO EOT	1. REMOVE ALL PERIPHERAL TERMINATORS IN DAISY CHAIN
3-A1 OFF	FOR DRIVES THAT DO NOT REQUIRE REWIND COMMAND REMOVAL PRIOR TO EOT	2. INSTALL CONTROL TERMINATOR ONLY IN LAST DAISY CHAIN POSITION
3-A2 ON	FOR DRIVES THAT STORE EOT STATUS NOTE: A5 SHOULD BE OFF	3. CORRECTLY IDENTIFY CONFIGURATION & SET SWITCHES ACCORDINGLY
3-A2 OFF	FOR DRIVES THAT DO NOT STORE EOT STATUS NOTE: A5 SHOULD BE ON	
3-A3 ON	FOR 7 TRACK DRIVES	
3-A3 OFF	FOR 9 TRACK DRIVES	
3-A4 ON	FOR 7 TRACK 200/556 BPI DENSITY SELECTIONS OR 9 TRACK SECONDARY SPEED SELECTION	
3-A4 OFF	FOR 7 TRACK 556/800 BPI DENSITY SELECTIONS OR 9 TRACK PRIMARY SPEED SELECTION	
3-A5 ON	FOR DRIVES THAT DO NOT STORE EOT STATUS NOTE: A2 SHOULD BE OFF	
3-A5 OFF	FOR DRIVES THAT STORE EOT STATUS NOTE: A2 SHOULD BE ON	
3-A6 ON	FOR 9 TRACK NRZI DRIVE	
3-A6 OFF	FOR 7 TRACK DRIVES, 9 TRACK 1600 BPI DRIVES, OR 9 TRACK 800/1600 DUAL DENSITY	
3-A7 ON	FOR DRIVES THAT DO NOT PRESENT NRZI STATUS ON DRIVE READ CONNECTOR	
3-A7 OFF	FOR DRIVES THAT DO PRESENT NRZI STATUS ON DRIVE READ CONNECTOR	
3-A8 ON	FOR 7 TRACK DRIVES	
3-A8 OFF	FOR 9 TRACK DRIVES	

NOTES:

1. FOR 7 TRACK DRIVES IN DRIVE DAISY CHAINS, ONLY
PRIMARY SPEED SELECTION IS AVAILABLE.
2. REF. ASSY. DWG. 122037, 122038, & 122039.
- ③ 122010 INSTALLED WHEN TRANSPORT HAS 4-POSITION
UNIT SELECT SWITCH (SEE EXCEPTION BELOW).
122011 INSTALLED IN 4th TRANSPORT IF MORE THAN
4 TRANSPORTS ARE DAISY CHAINED.
122012 INSTALLED WHEN TRANSPORT DOES NOT
HAVE UNIT SELECT SWITCH.
- ④ FOR PERTEC COMPATIBLE UNIT SELECT OPTION:
JUMPER E TO F, G TO H, AND M TO N.
FOR EXTERNALLY CONNECTED UNIT SELECT SWITCH:
CUT ETCH BETWEEN P & R AND CONNECT
EXTERNAL SWITCH TO A, B, C, D, & L.

TOLERANCES UNLESS
OTHERWISE SPECIFIED
FRACTIONS DEC. ANGLES
± ± ±

 western peripherals
ANHEIM, CALIFORNIA

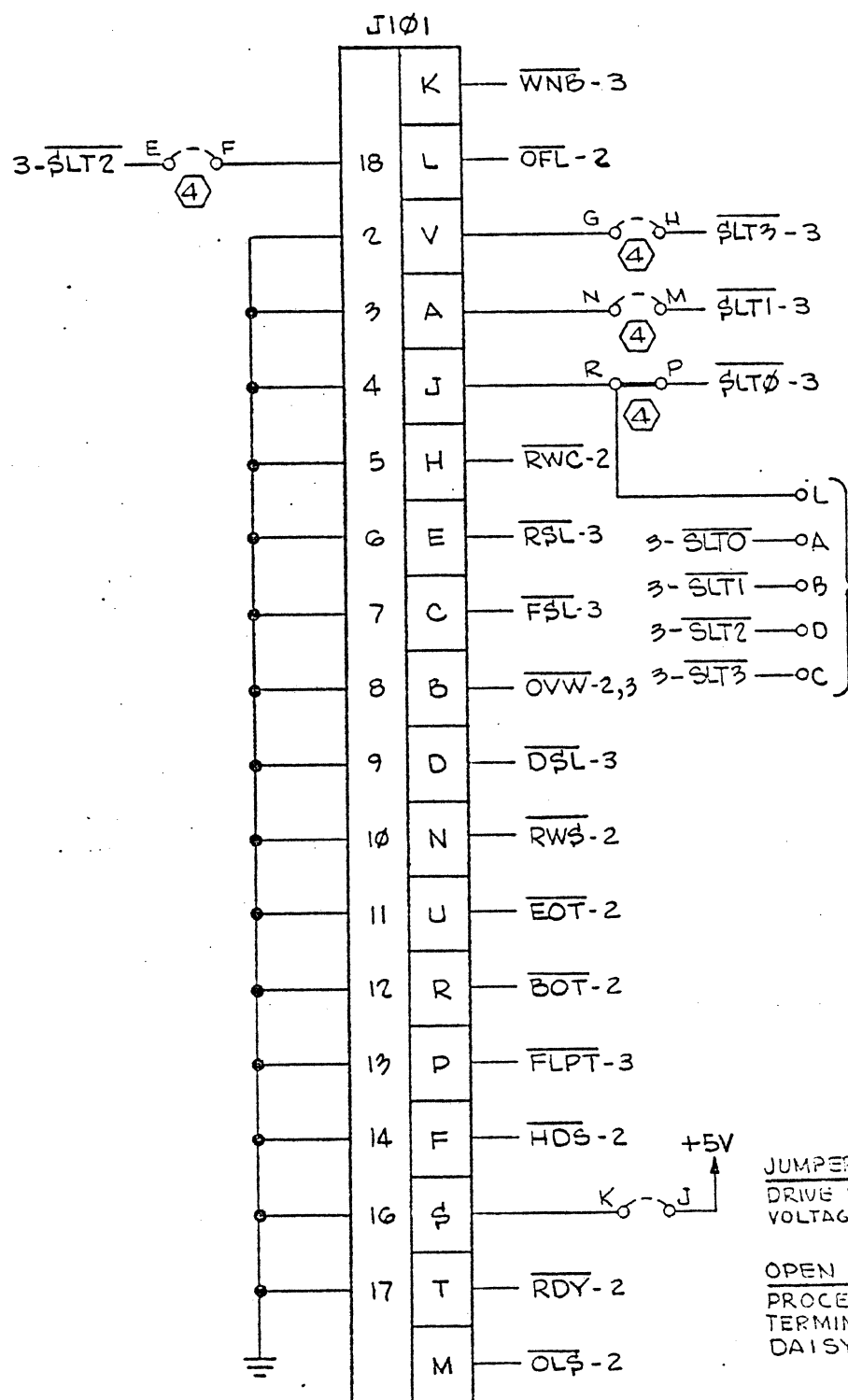
SCHMATIC —
TAPE CONTROL ADAPTER

APPROVALS	DATE
DRAWN 482	11-1-76
CHECKED	DATE
11-21-76	11-21-76

SCALE	SIZE	DRAWING NO.
—	B	122036

DO NOT SCALE DRAWING SHEET 1 OF 4

REVISIONS	DATE	APPROVED
DESCRIPTION		
LTR		



TOLERANCES UNLESS OTHERWISE SPECIFIED		FRACTIONS DEC. ANGLES	
APPROVALS	DATE	SCALE	SIZE
DRAWN: HLO	11-1-76	B	122036
CHECKED: J. H. STIN	11-2-76		
western peripherals		DO NOT SCALE DRAWING	
SAN JOSE, CALIF. 95128		SHEET 2 OF 4	

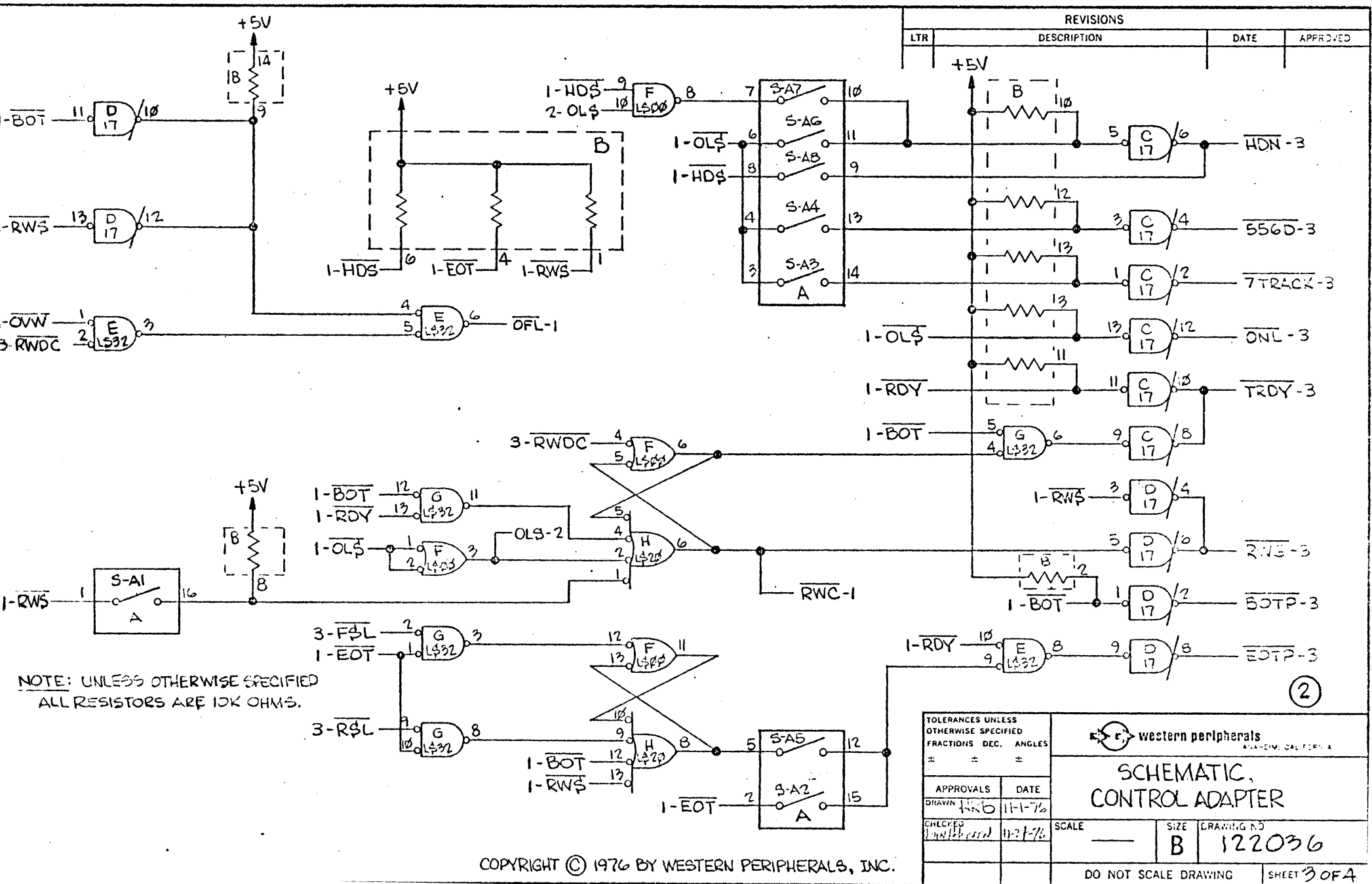
TAPE CONNECTOR

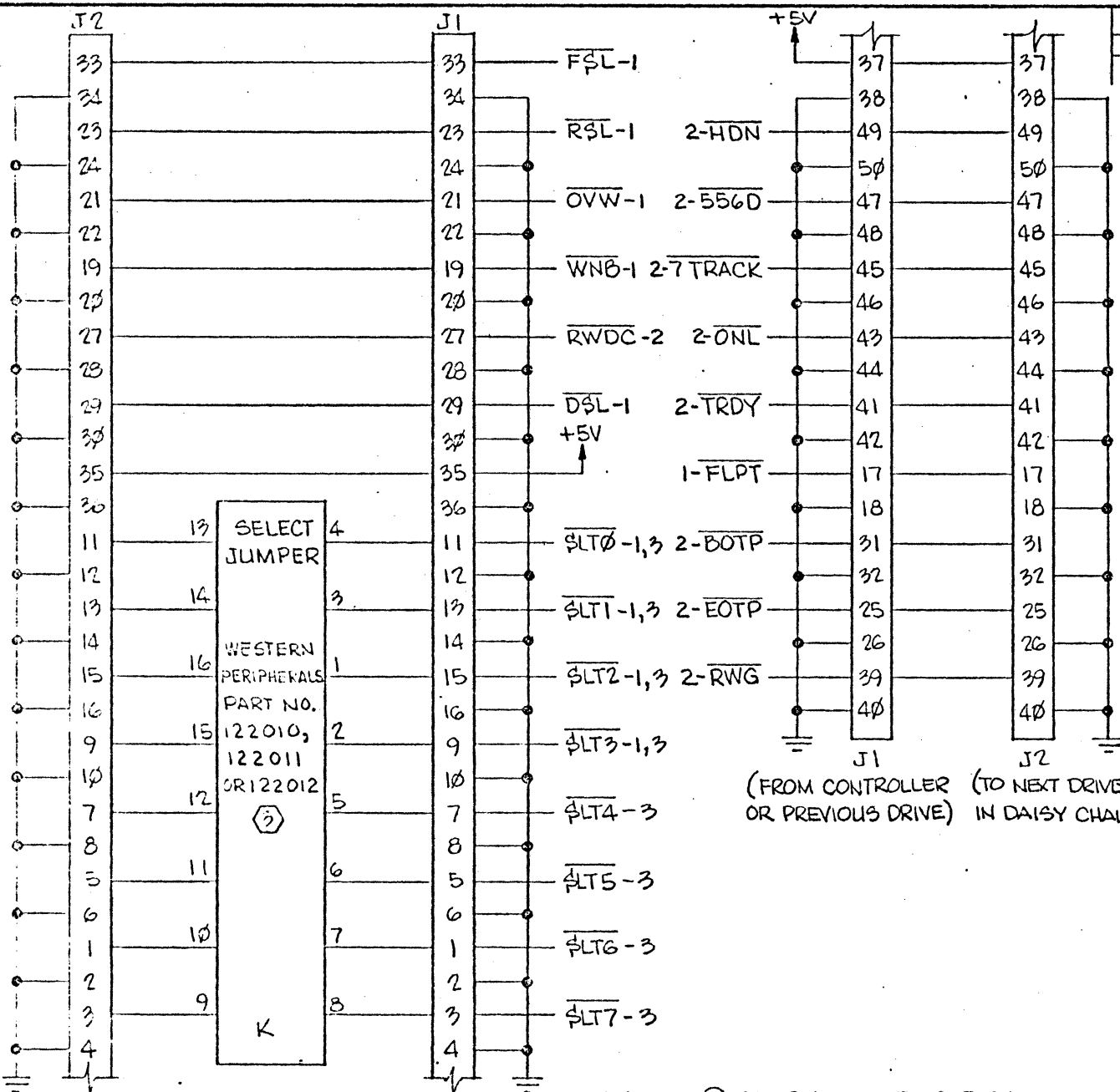
1

SELECT JUMPER TERMINALS AVAILABLE FOR THUMBWHEEL SELECTION ON DRIVES SO EQUIPPED

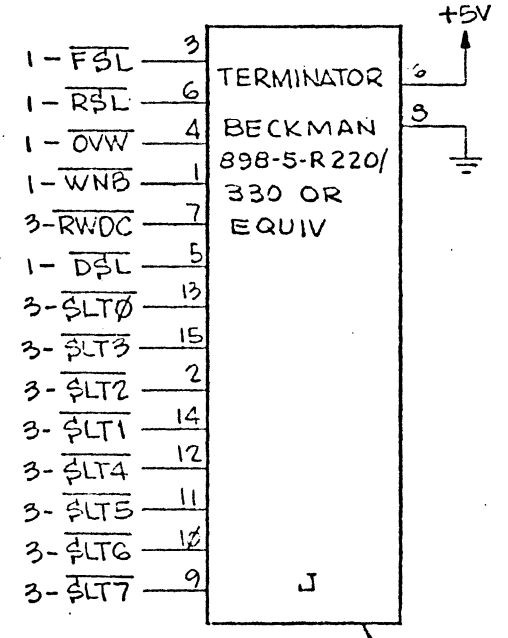
JUMPER J TOK:
DRIVE SUPPLIES +5V TERMINATOR VOLTAGE TO DAISY CHAIN

OPEN J TOK:
PROCESSOR SUPPLIES +5V TERMINATOR VOLTAGE TO DAISY CHAIN





REVISIONS			
LTR	DESCRIPTION	DATE	APPROVED



INSTALLED FOR SINGLE
TRANSPORT OR LAST UNIT
IF UNITS ARE DAISY CHAINED

(FROM CONTROLLER (TO NEXT DRIVE
OR PREVIOUS DRIVE) IN DAISY CHAIN)

3

TOLERANCES UNLESS OTHERWISE SPECIFIED FRACTIONS DEC. ANGLES ± ± ±		western peripherals ANAHIM, CALIFORNIA	
APPROVALS DRAWN HRO		CONTROL CONNECTOR RIBBON CABLE	
DATE 11-1-76		DRAW NO 122036	
SCALE		SIZE B	
SHEET 4 OF 4		DO NOT SCALE DRAWING	