

REVISIONS				
ZONE	REV	DESCRIPTION	DATE	APPROVED
	C	E971		

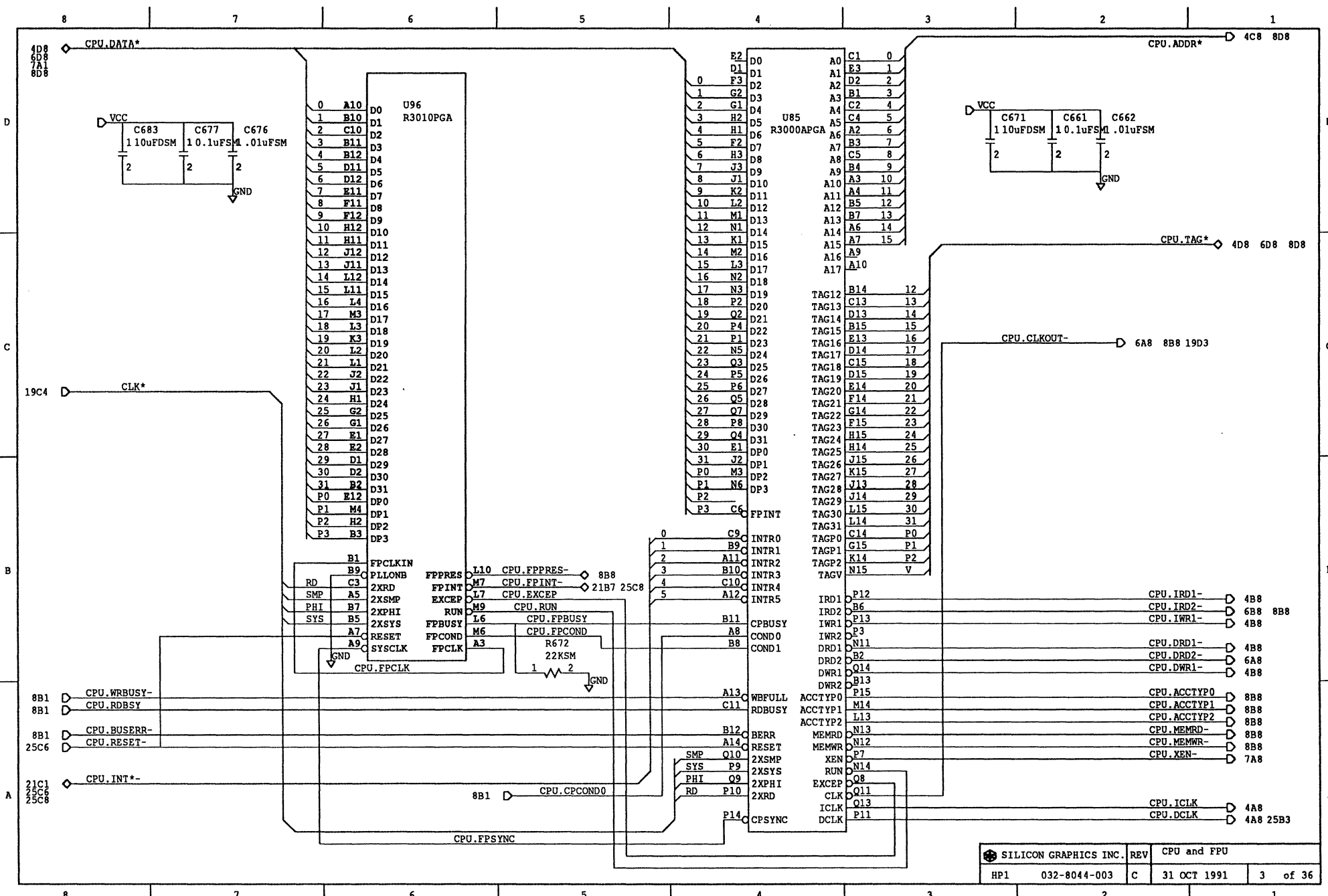
HP 1  
P1

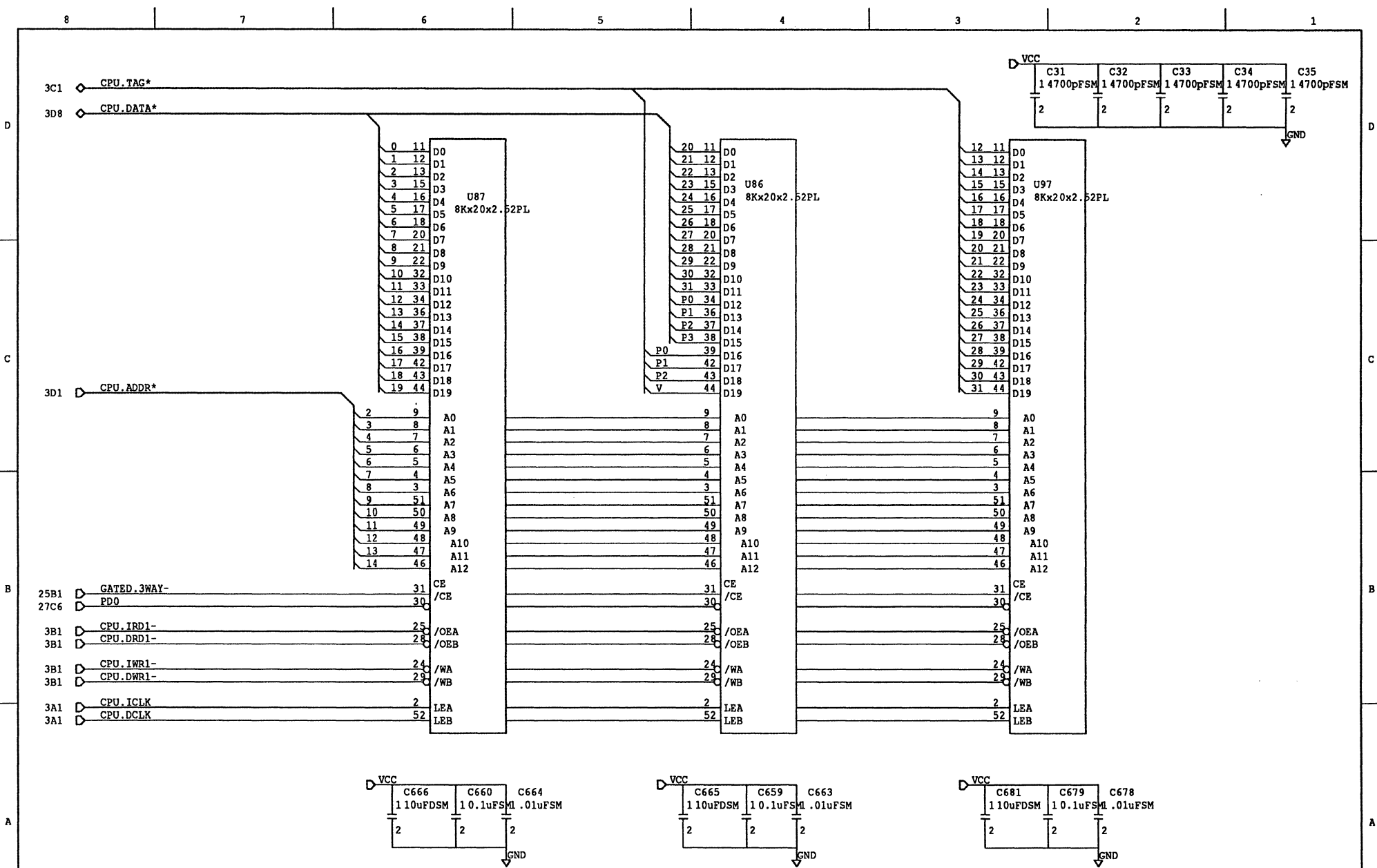
APPLICATIONS				SILICON GRAPHICS INC.				
		drw		HP 1				
		chk						
		iss.						
				NOM.	DRAWING NUMBER	REV	DATE	SHEET
NEXT ASSEMBLY	USED ON	APPROVALS	DATE		032-8044-003	C	31 OCT 1991	1 of 36

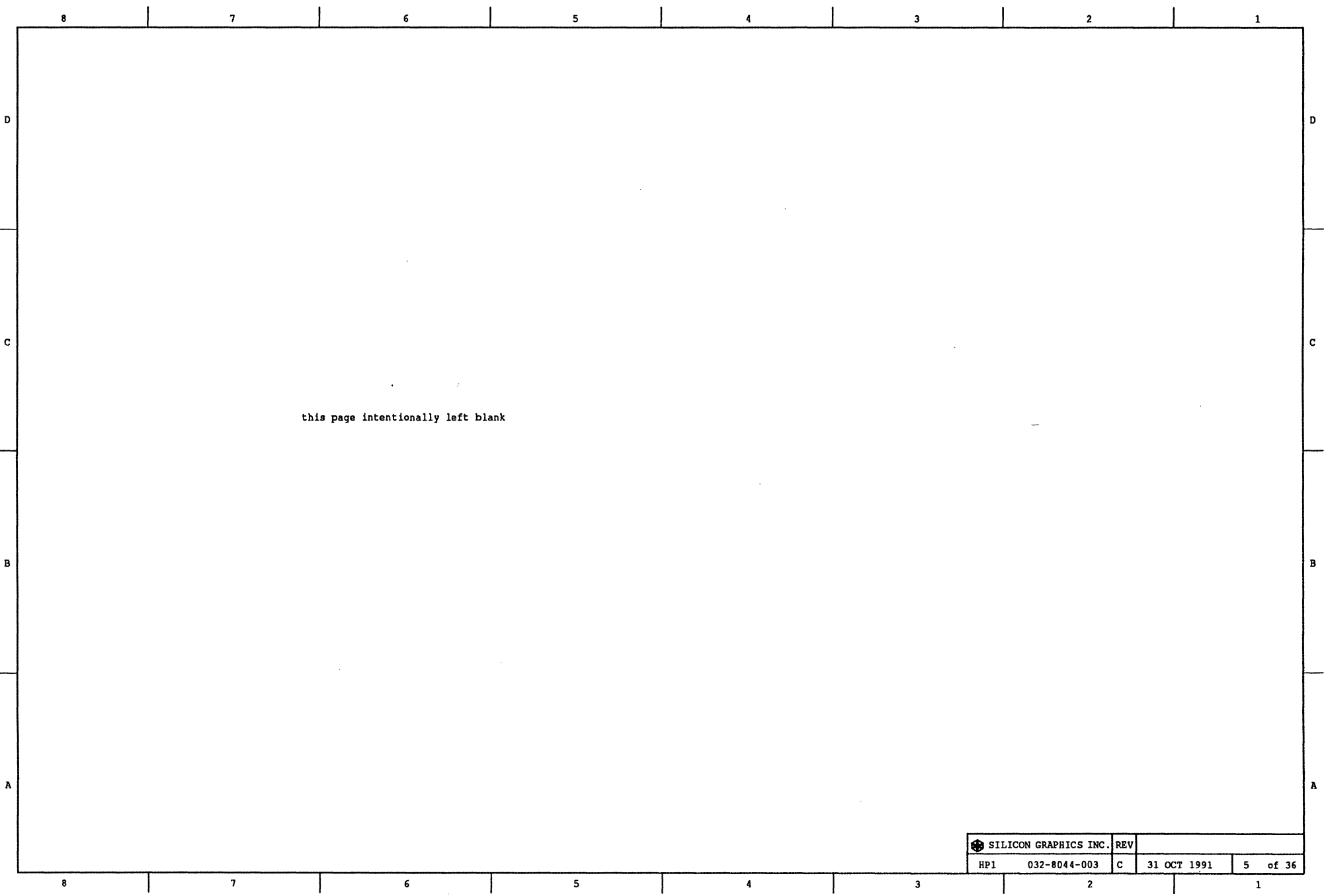
8 7 6 5 4 3 2 1

# Table of Contents

- D
- 1 Cover
  - 2 Table of Contents
  - 3 CPU and FPU
  - 4 Cache
  - 5 Blank
  - 6 DBG
  - 7 Read Buffer
  - 8 PIC1
  - 9 Memory Drivers
  - 10 Main Memory Bank 0
  - 11 Main Memory Bank 1
  - 12 Main Memory Bank 2
  - 13 HPC1
  - 14 EtherNet
  - 15 SCSI & Keyboard/Mouse
  - 16 Boot PROM and RTC
  - 17 Serial Controllers
  - 18 Serial Drivers and Receivers
  - 19 CPU and Peripheral Clocks
  - 20 Printer Port Buffer
  - 21 INT2
  - 22 Graphics Registers
  - 23 Backplane Connector
  - 24 Option Card Connectors
  - 25 Reset, LED, and more...
  - 26 GIO Clocks
  - 27 Pull Ups/Downs and Spares
  - 28 The Terminator
  - 29 Audio Power Supply
  - 30 Audio Analog Output
  - 31 Microphone Input
  - 32 Audio Line In
  - 33 Audio Line Out
  - 34 Audio Digital I/O
  - 35 DSP
  - 36 ACTEL
- C
- B
- A

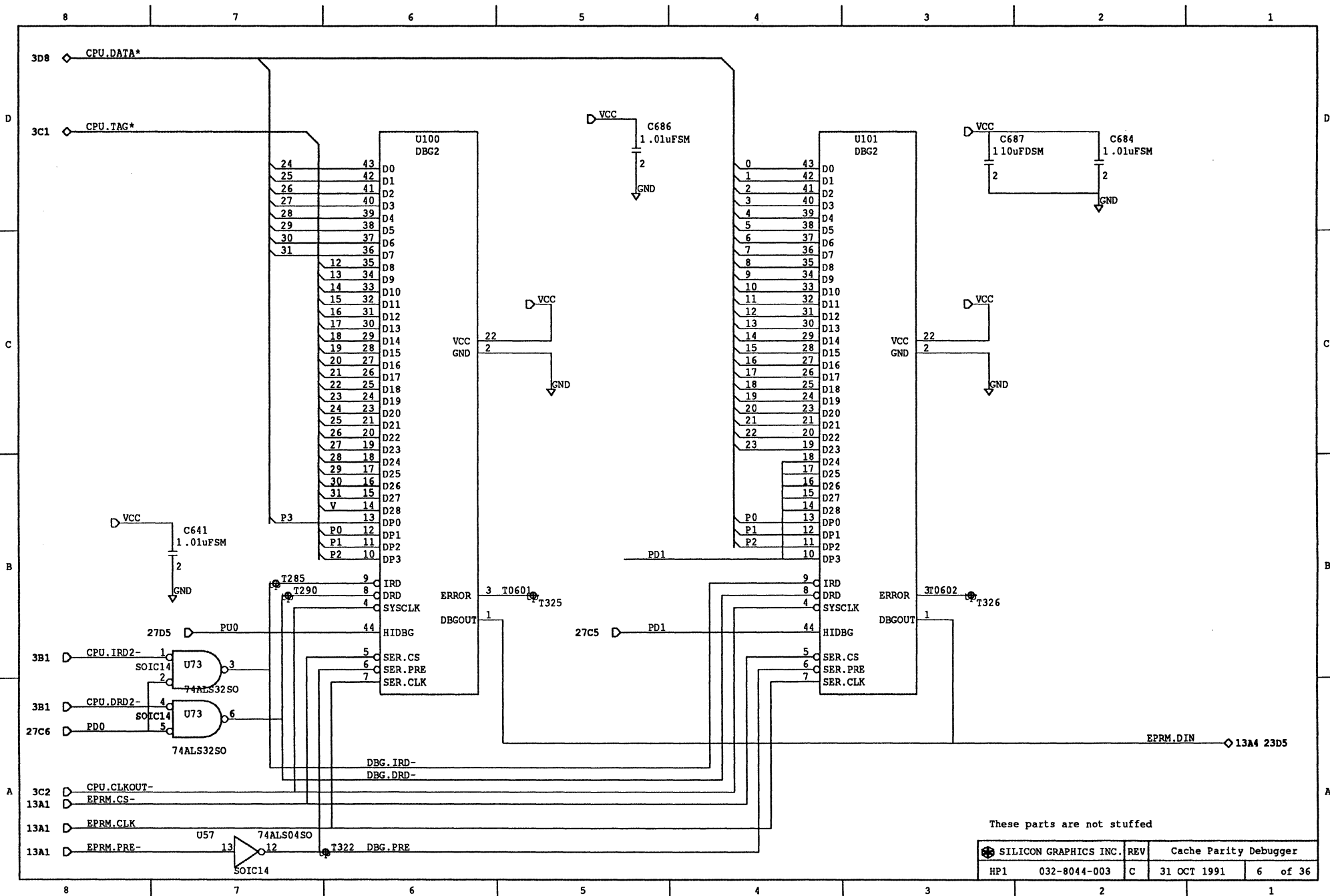






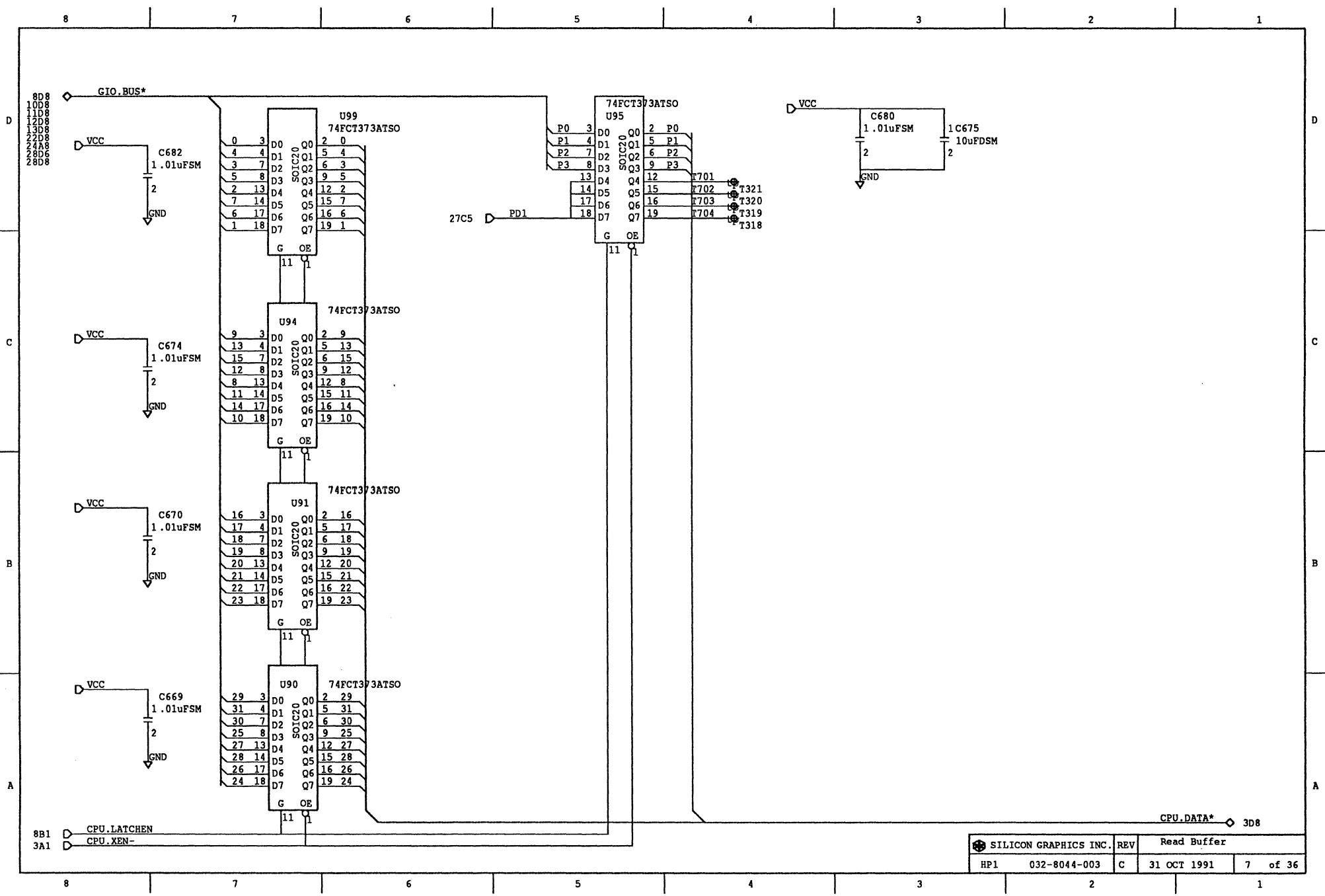
this page intentionally left blank

SILICON GRAPHICS INC.		REV			
HP1	032-8044-003	C	31 OCT 1991	5	of 36

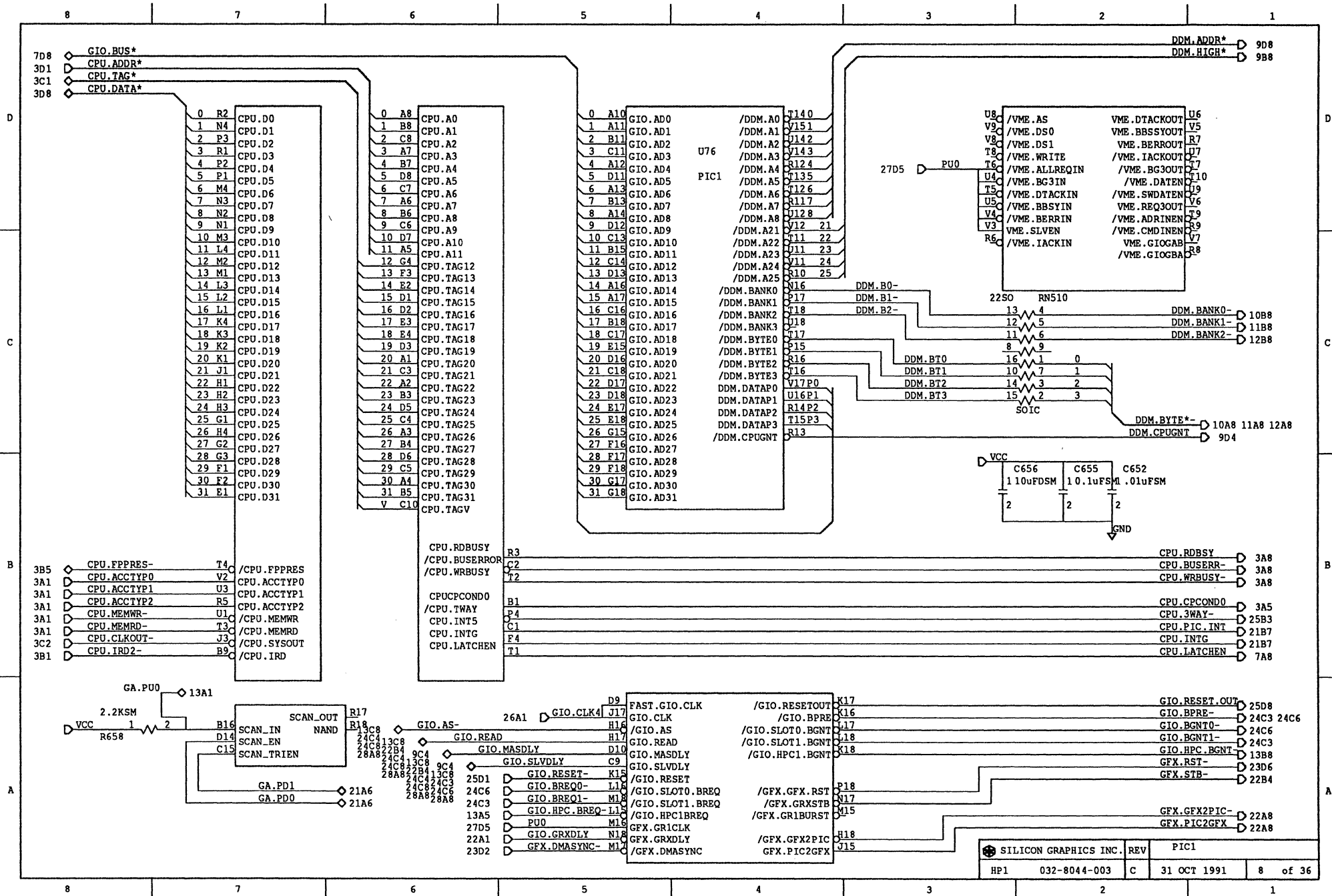


These parts are not stuffed

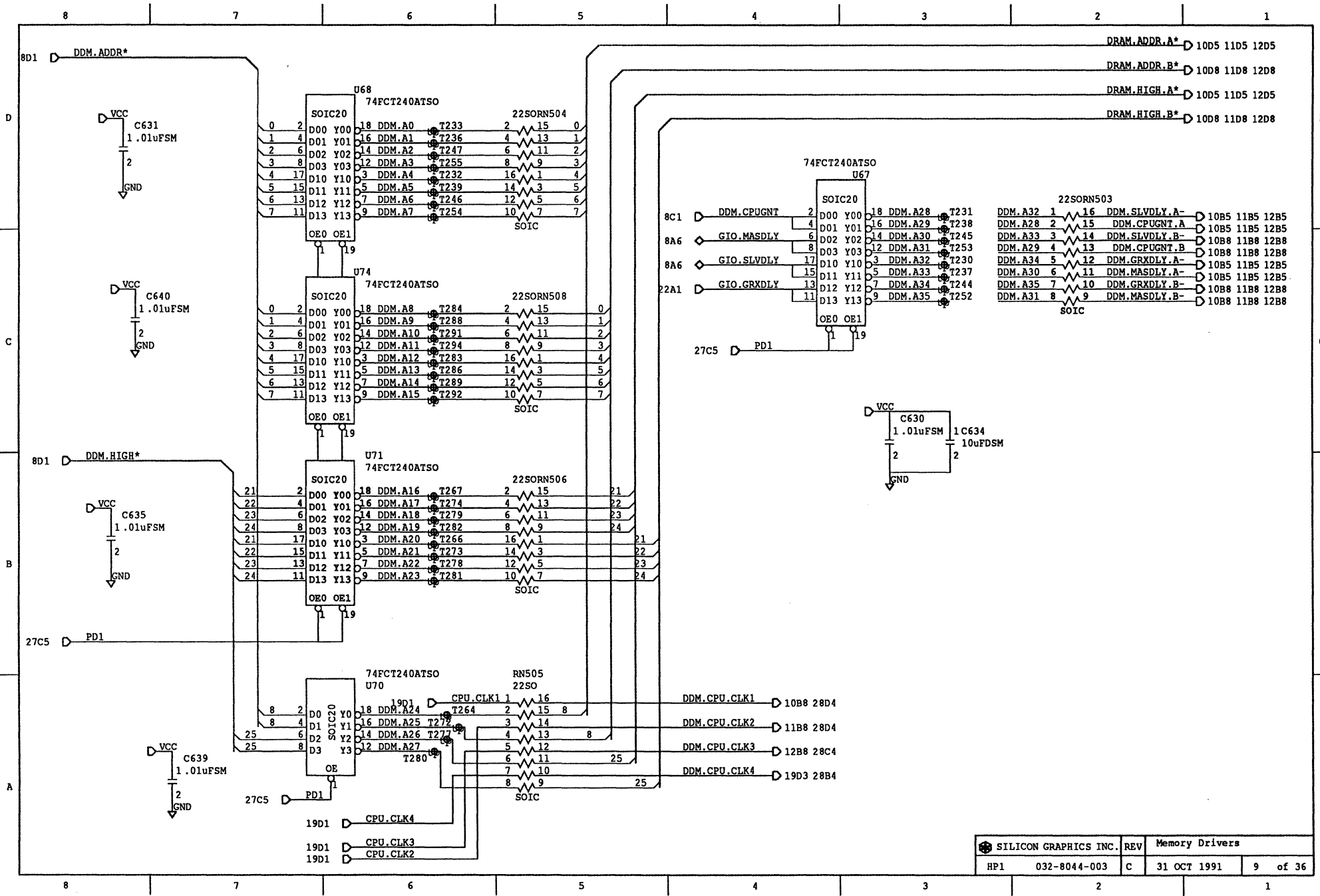
SILICON GRAPHICS INC.		REV	Cache Parity Debugger		
HP1	032-8044-003	C	31 OCT 1991	6	of 36

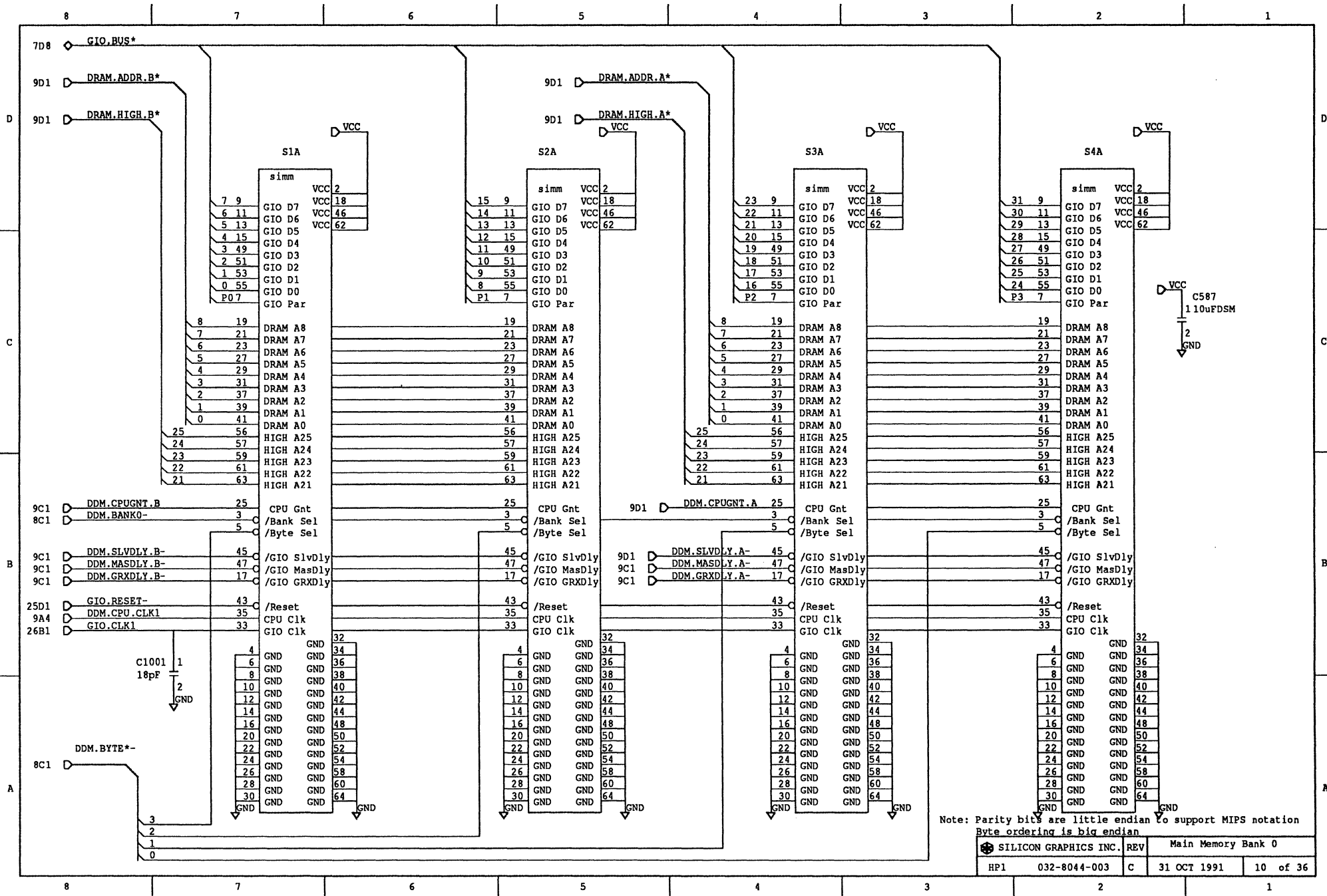


SILICON GRAPHICS INC.		REV	Read Buffer		
HP1	032-8044-003	C	31 OCT 1991	7	of 36



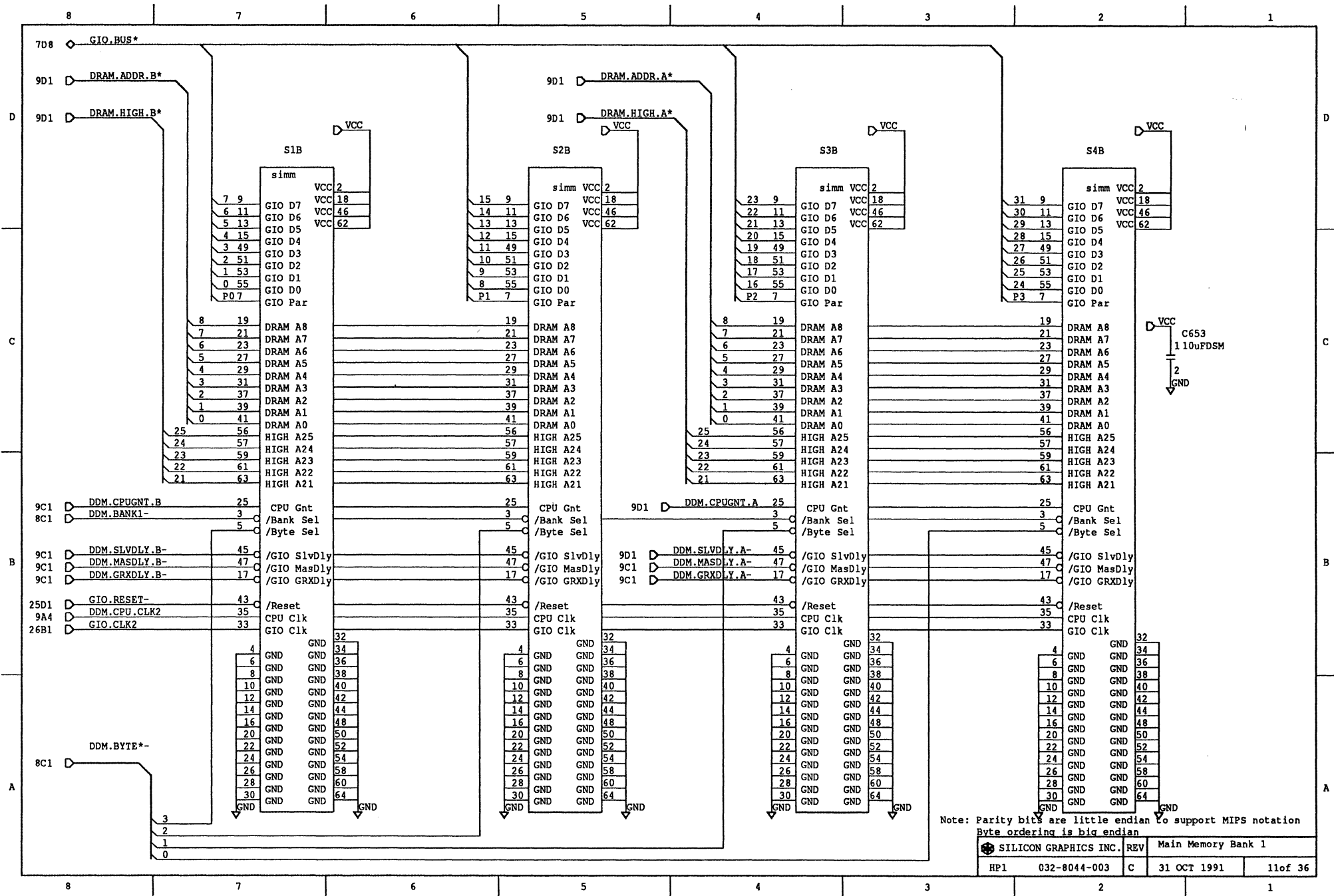




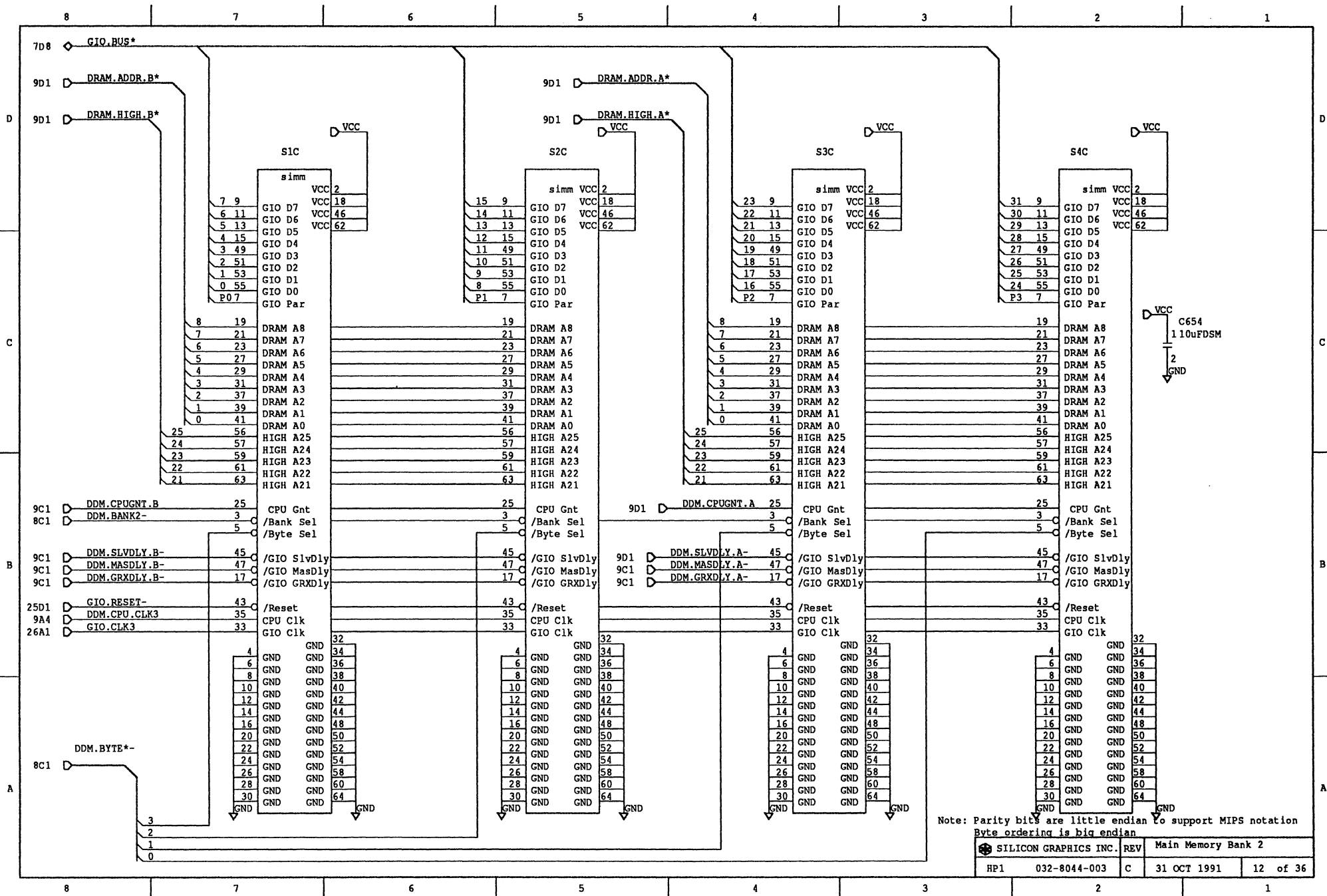


Note: Parity bits are little endian to support MIPS notation  
Byte ordering is big endian

SILICON GRAPHICS INC. REV		Main Memory Bank 0	
HP1	032-8044-003	C	31 OCT 1991 10 of 36

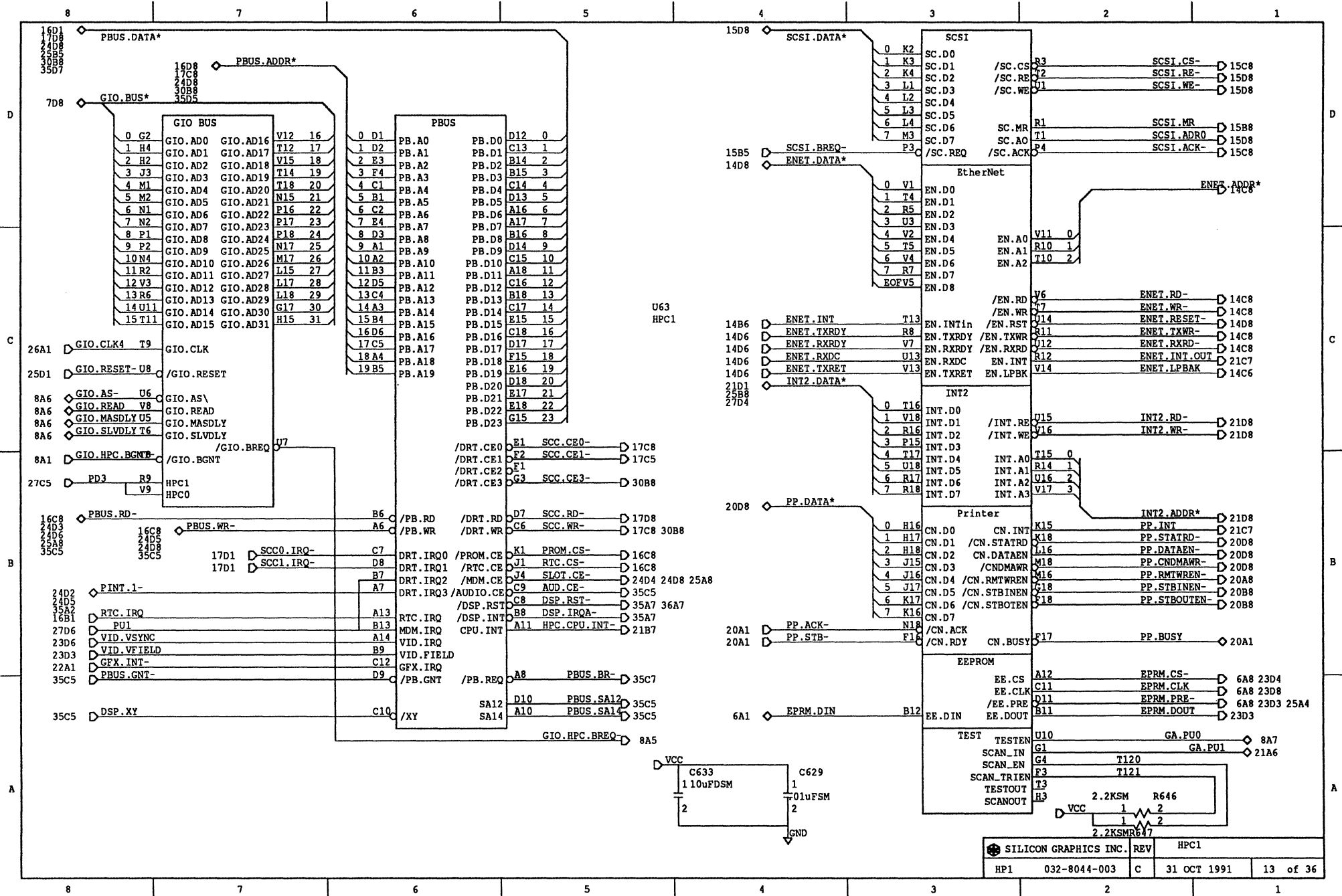


Note: Parity bits are little endian to support MIPS notation  
Byte ordering is big endian

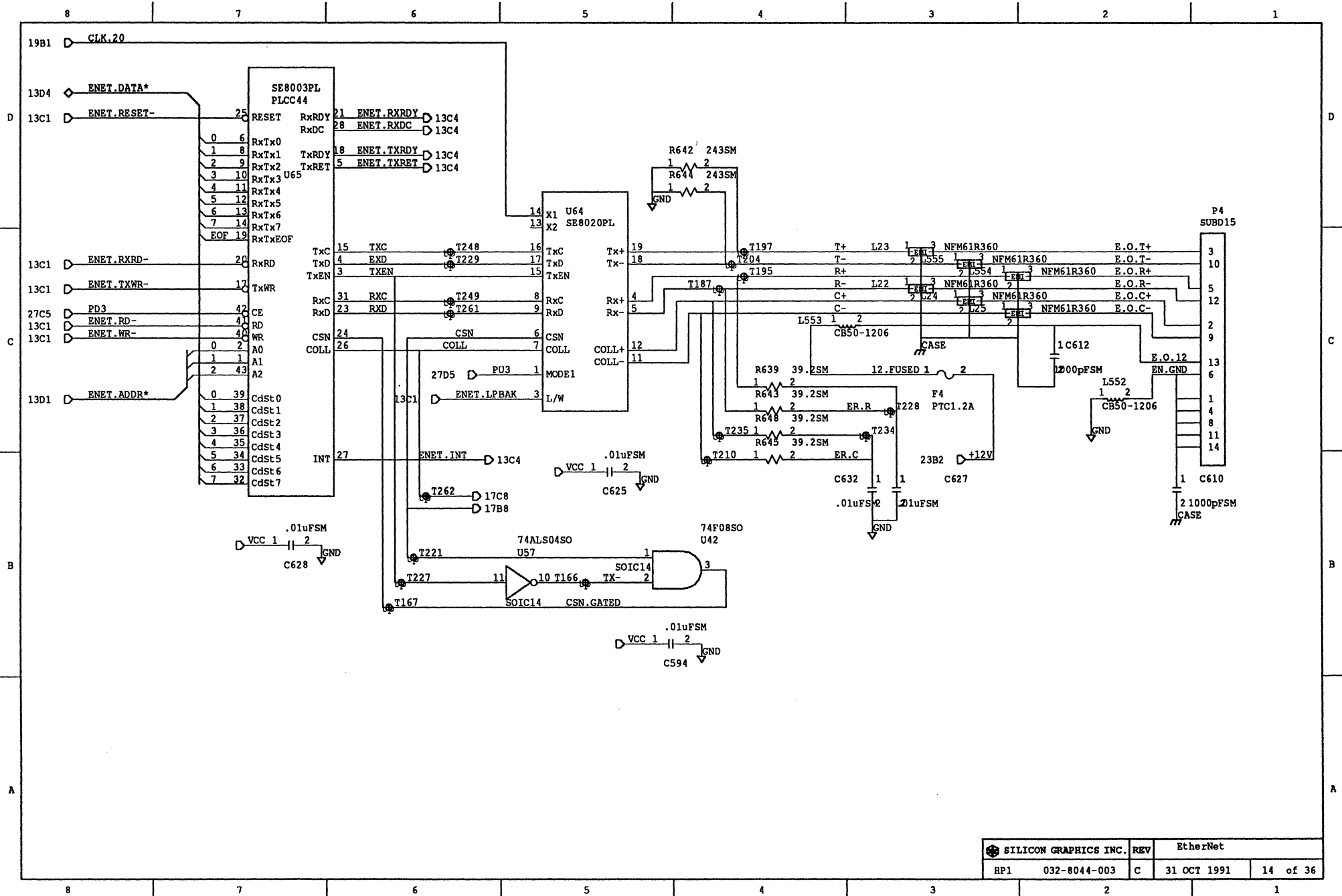


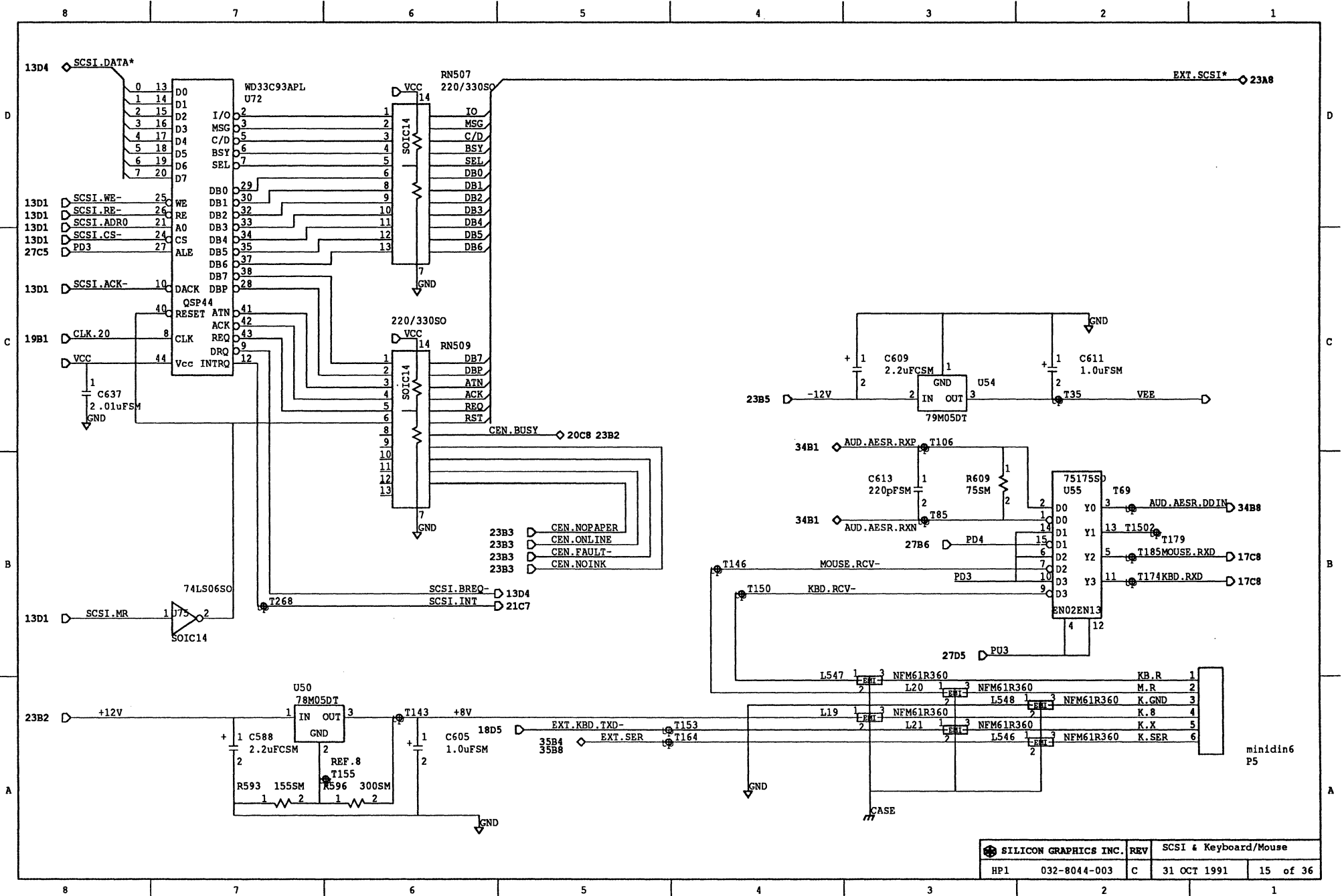
Note: Parity bits are little endian to support MIPS notation  
Byte ordering is big endian

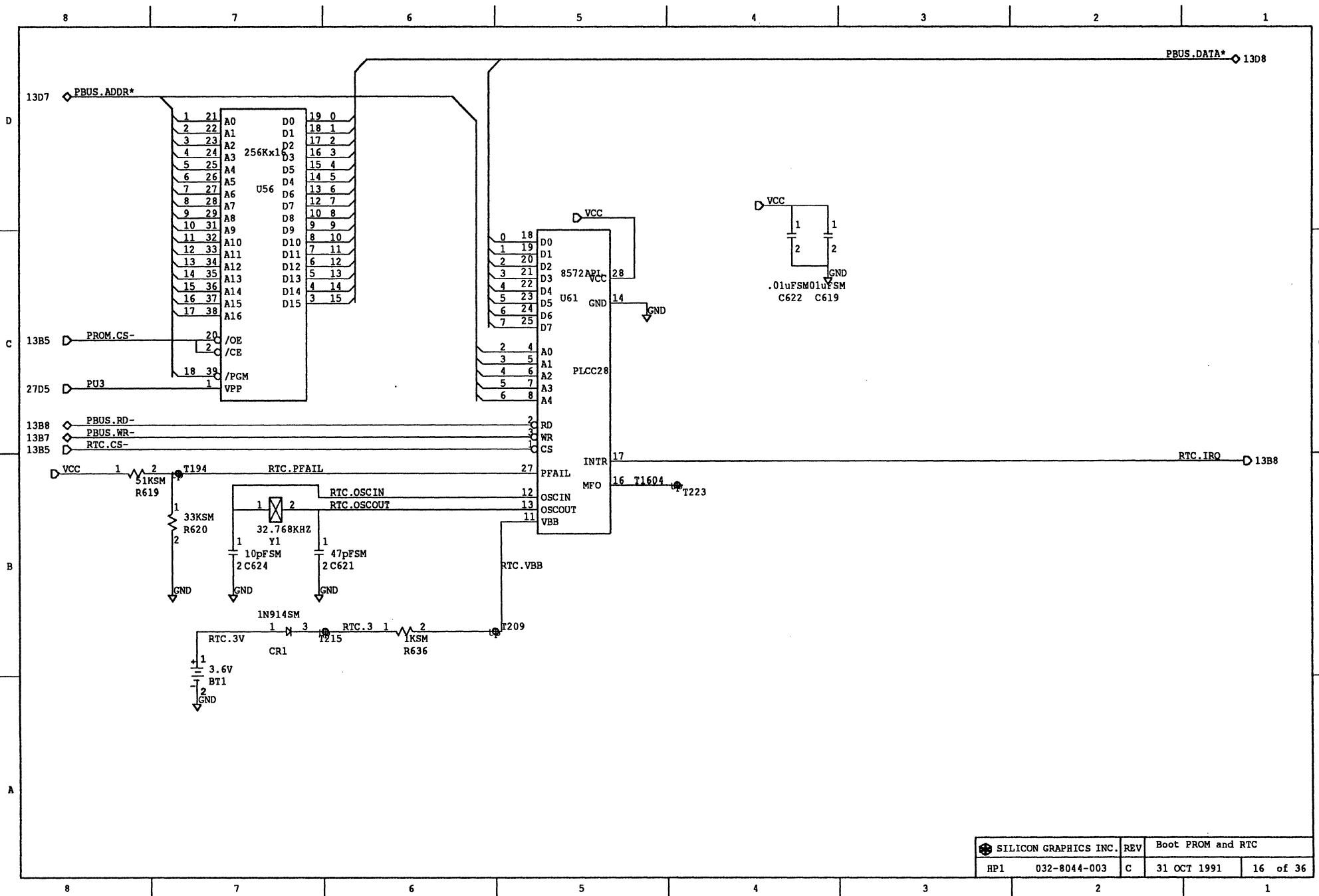
SILICON GRAPHICS INC. REV		Main Memory Bank 2	
HP1	032-8044-003	C	31 OCT 1991 12 of 36



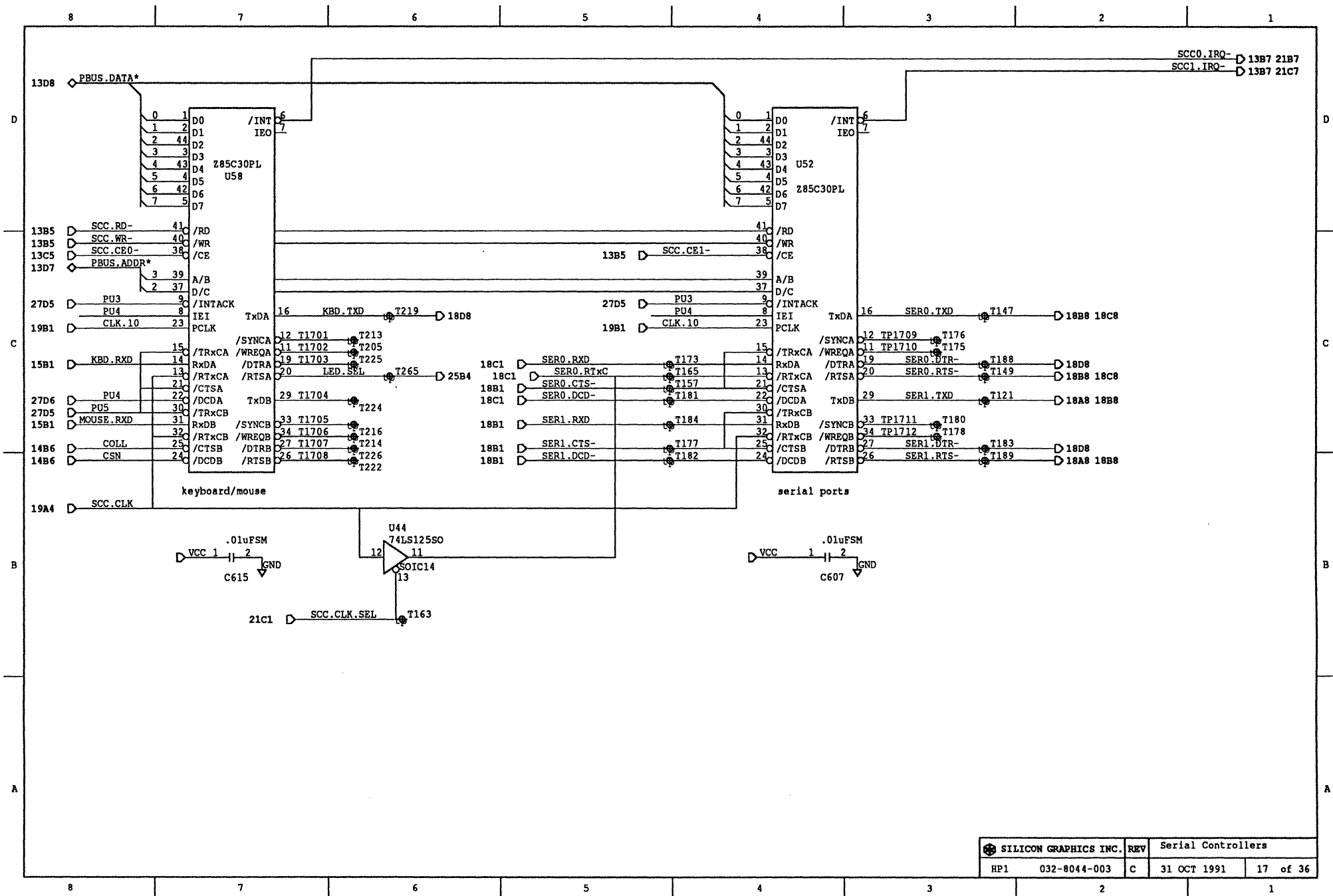
SILICON GRAPHICS INC.		REV	HPC1	
HP1	032-8044-003	C	31 OCT 1991	13 of 36

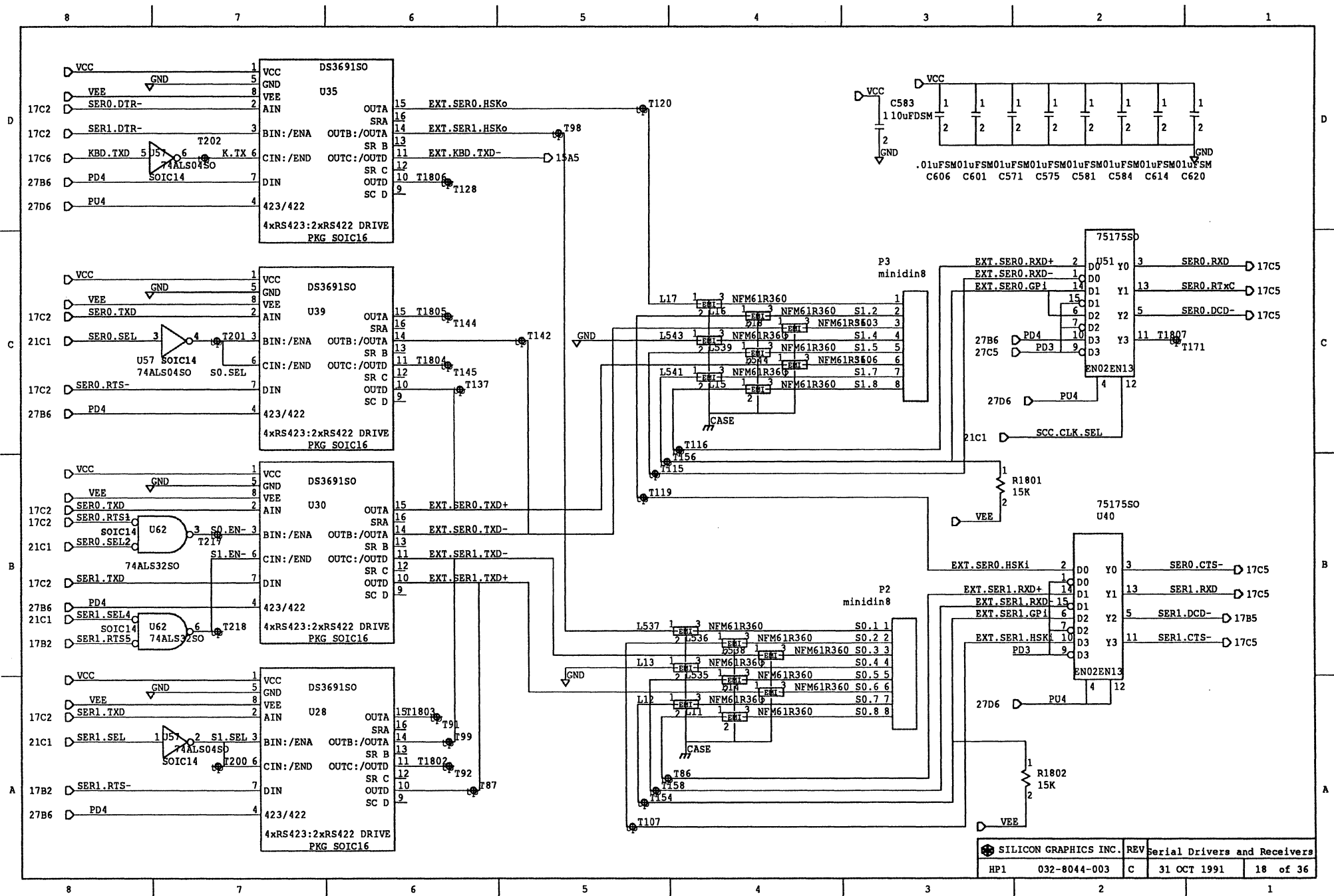


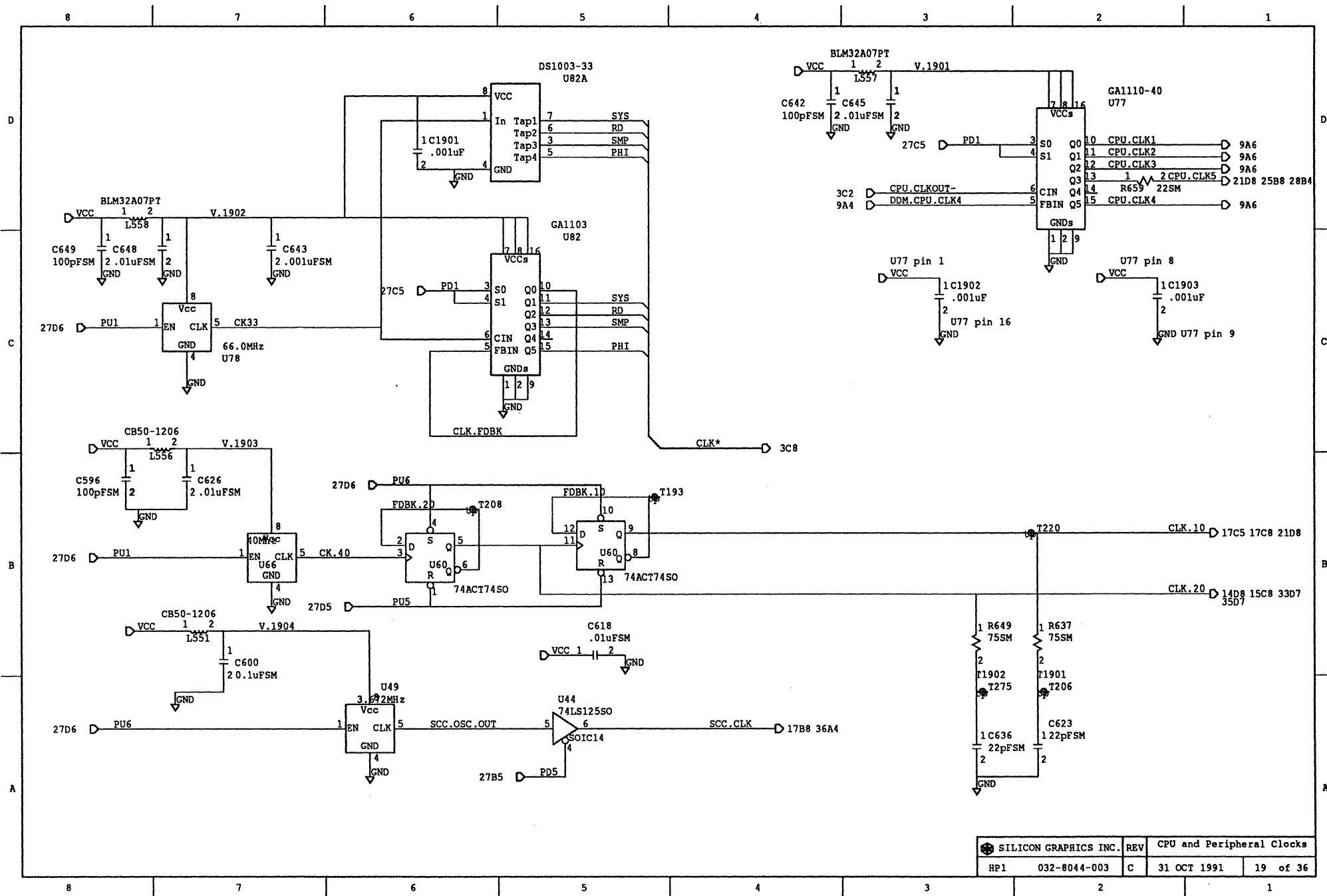




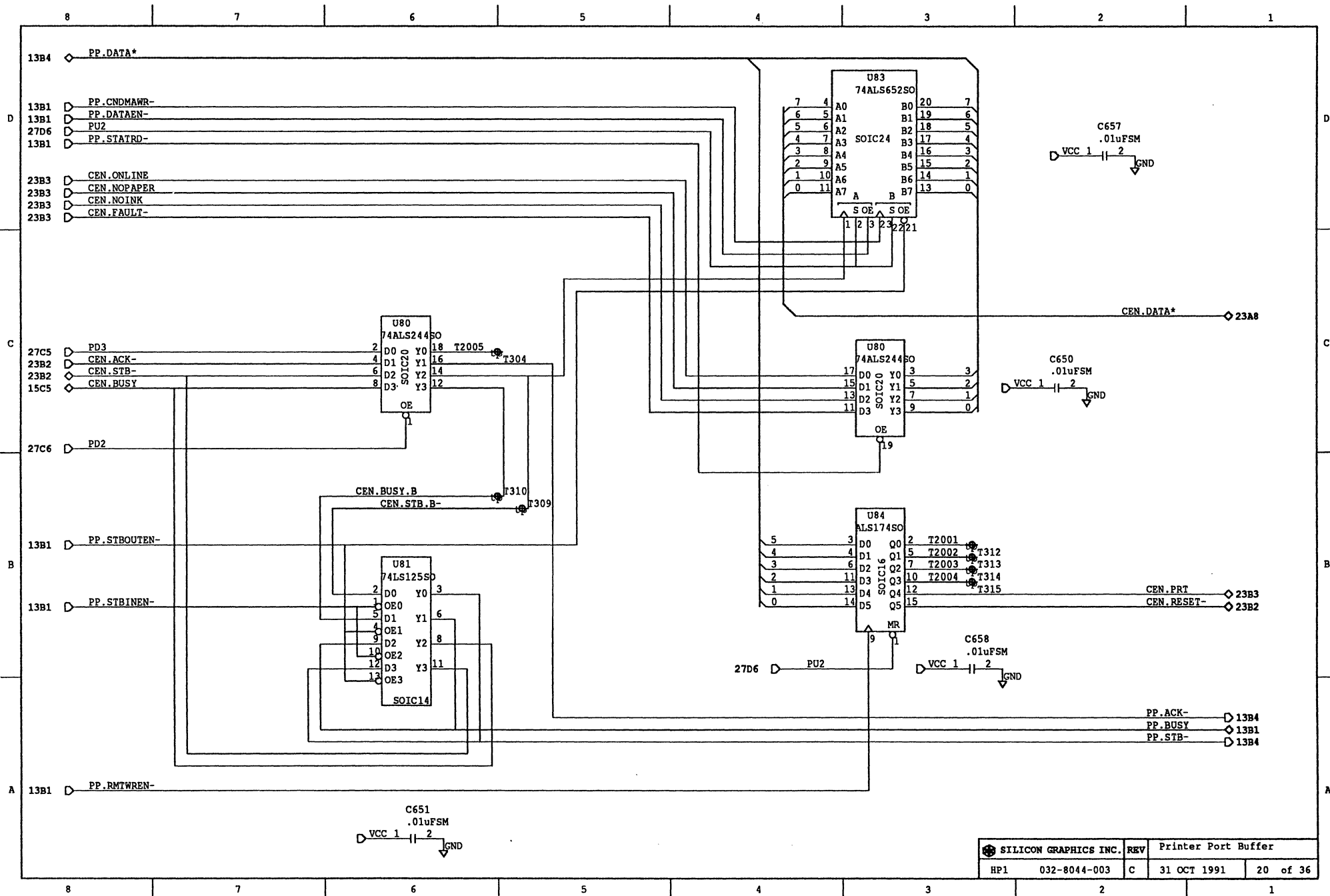


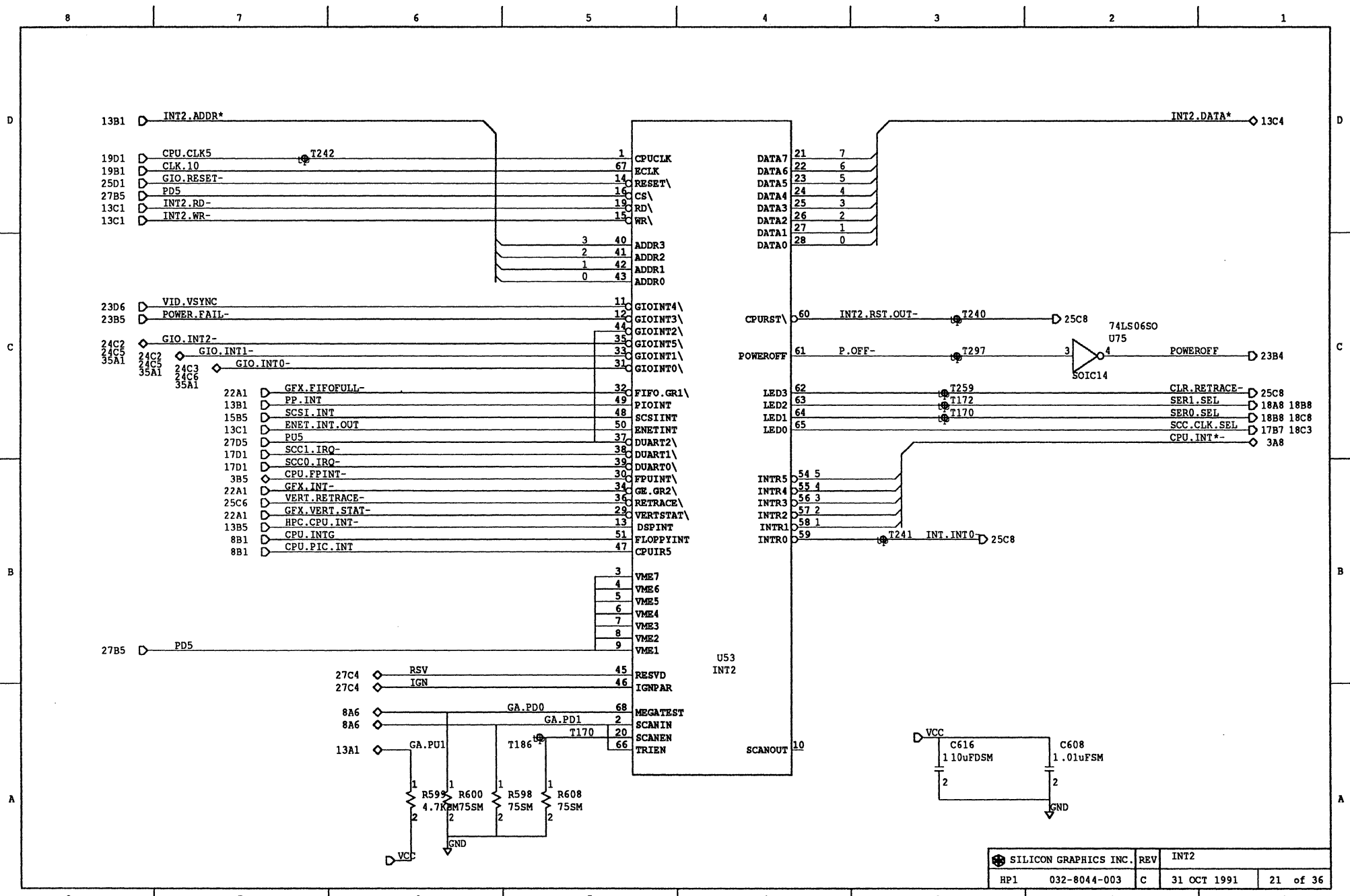


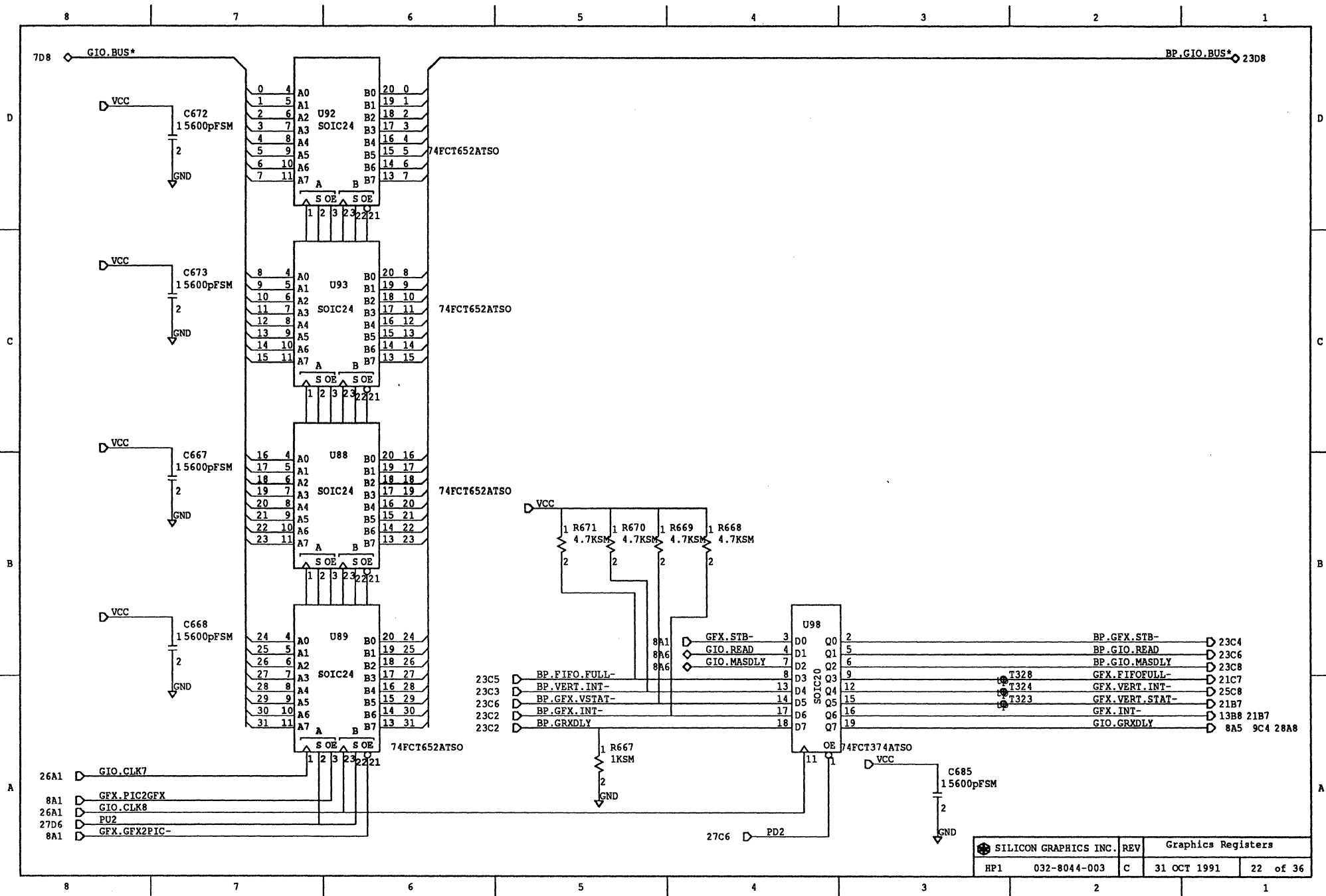




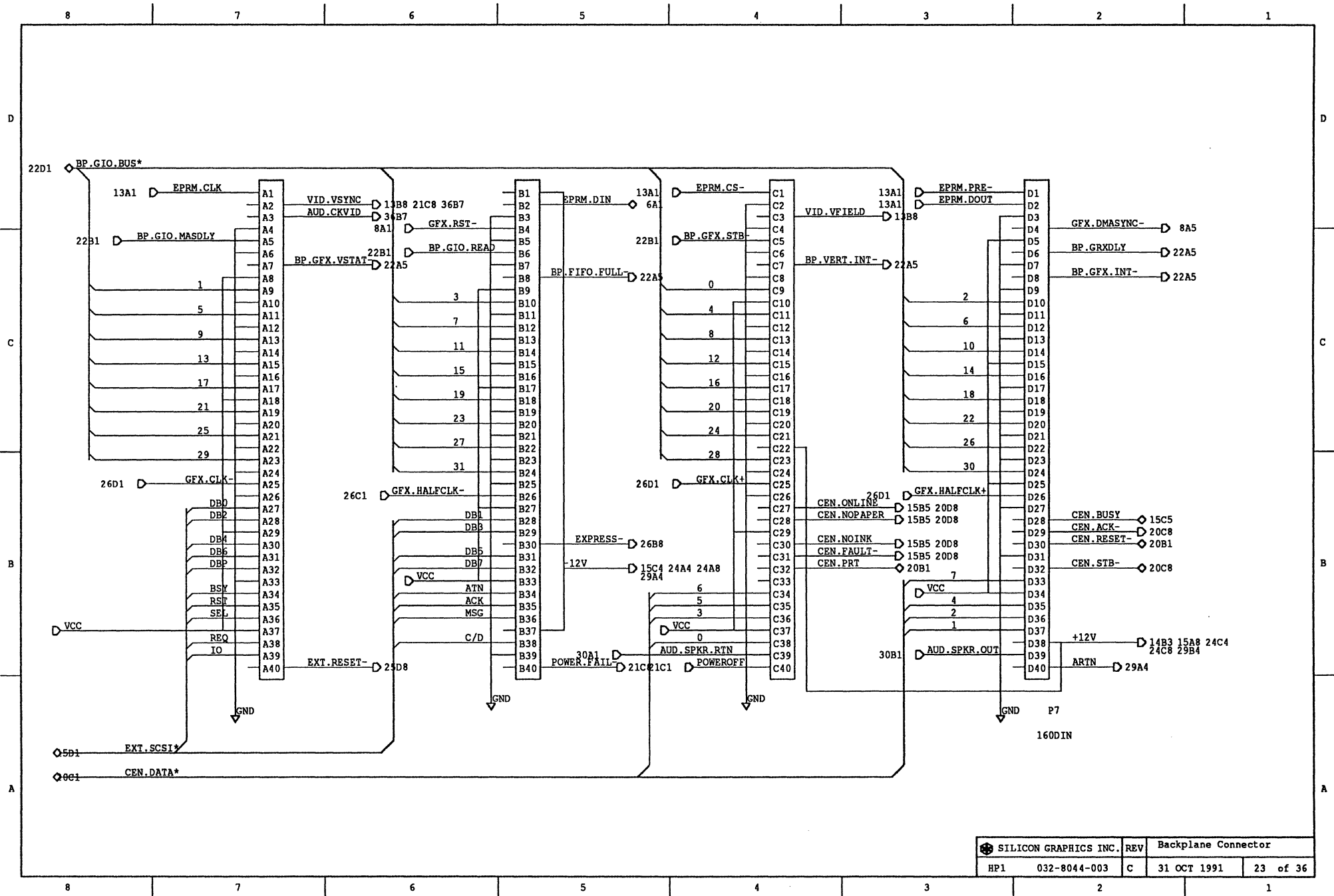
SILICON GRAPHICS INC.		REV	CPU and Peripheral Clocks	
HP1	032-8044-003	C	31 OCT 1991	19 of 36



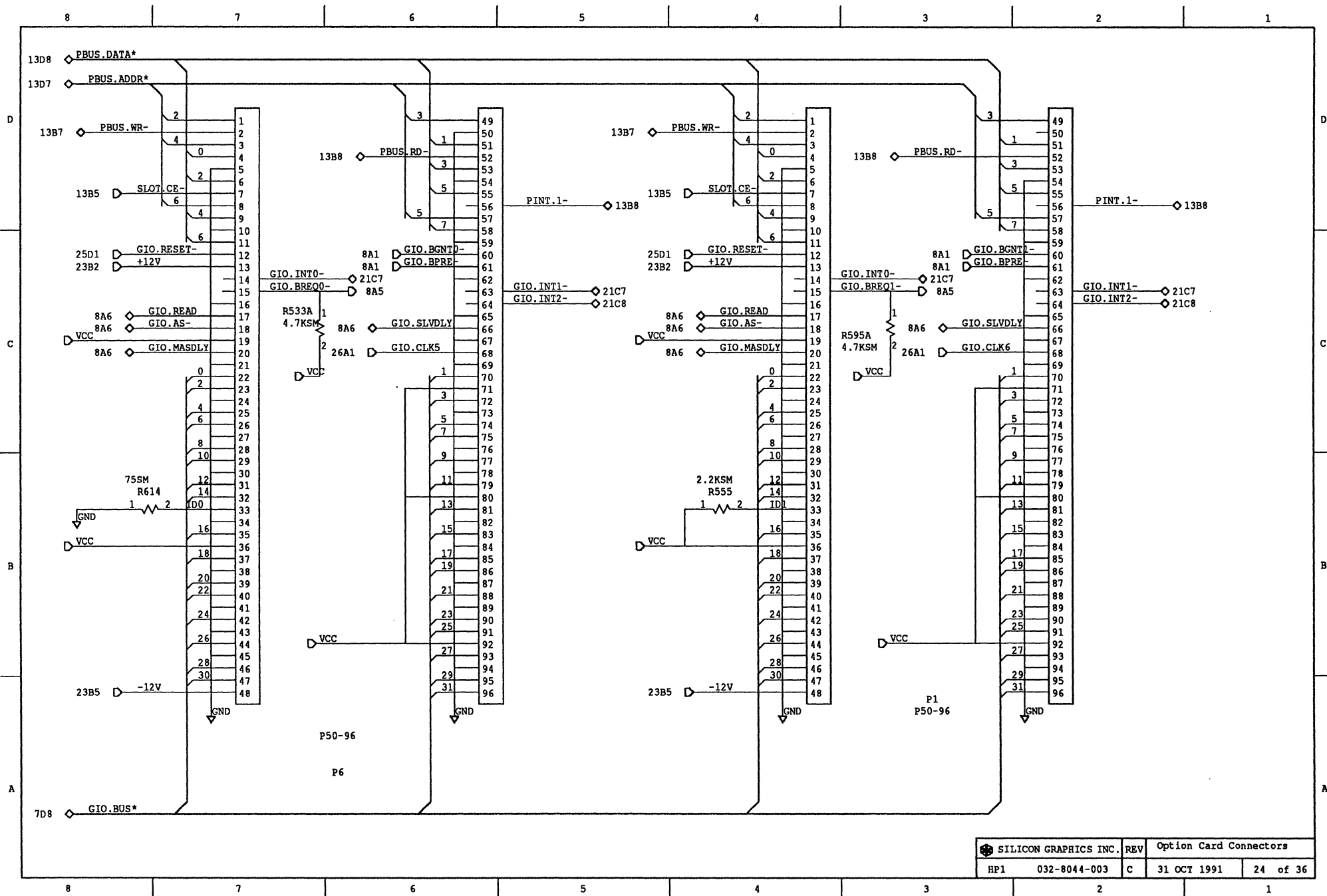




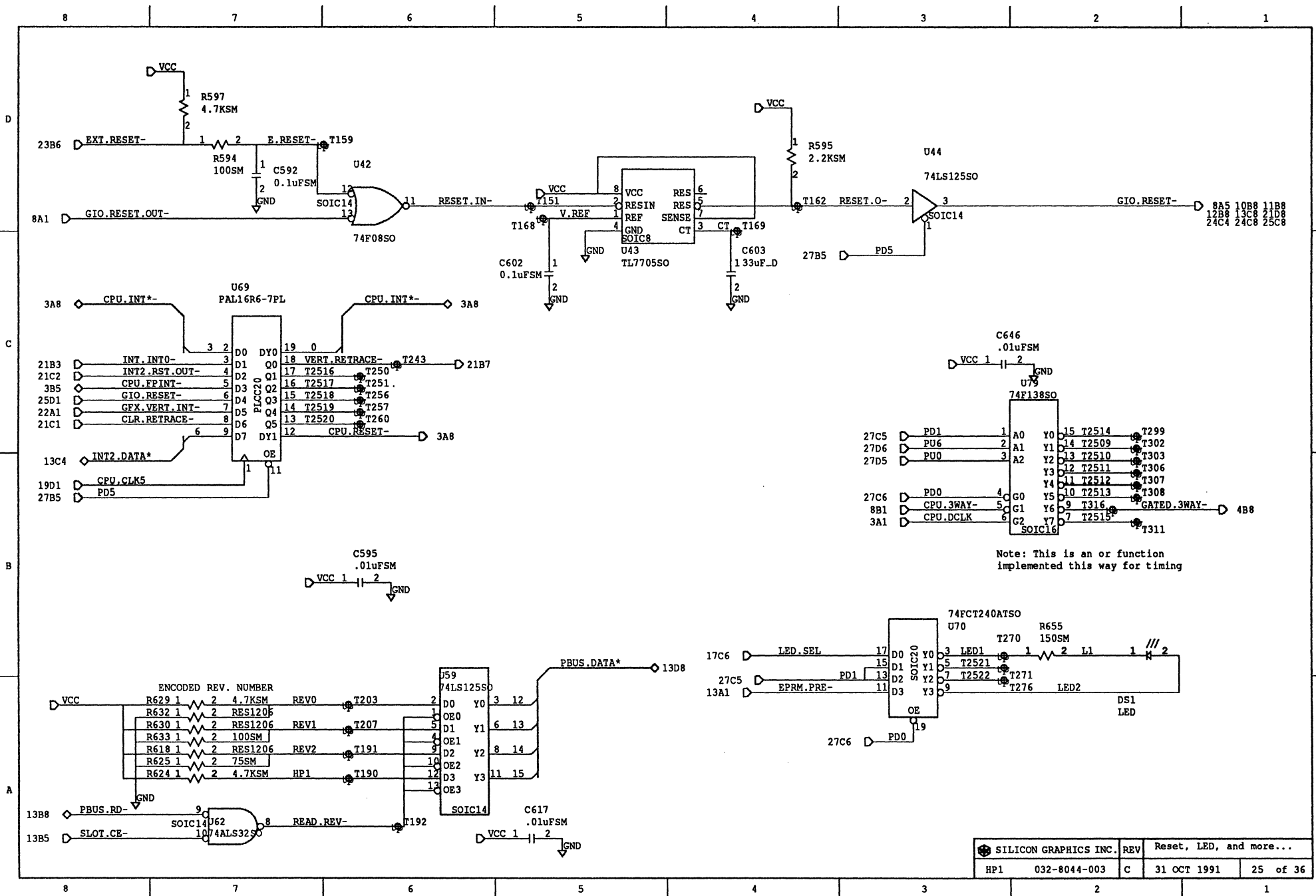
SILICON GRAPHICS INC.		REV	Graphics Registers	
HP1	032-8044-003	C	31 OCT 1991	22 of 36



SILICON GRAPHICS INC.		REV	Backplane Connector	
HP1	032-8044-003	C	31 OCT 1991	23 of 36

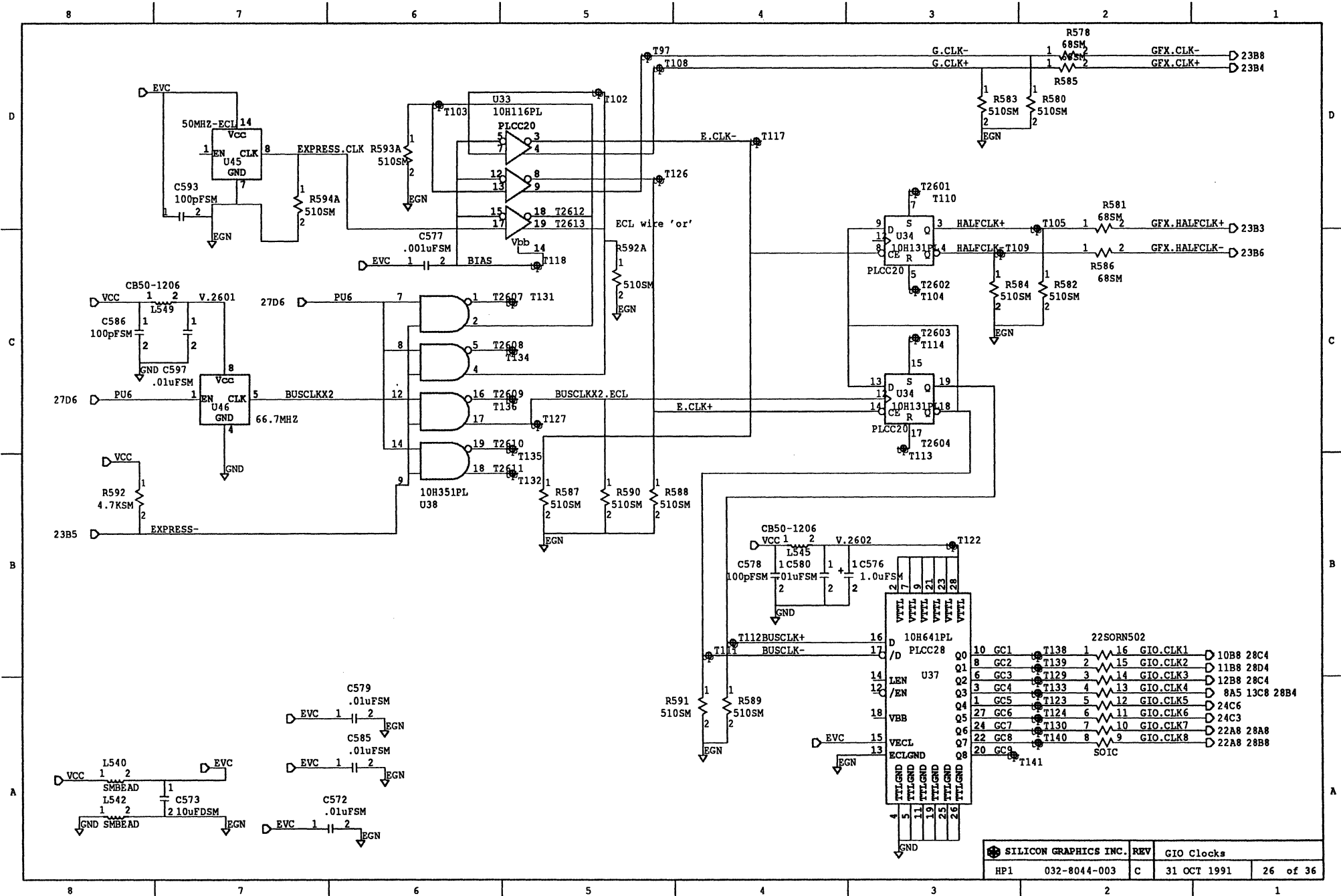




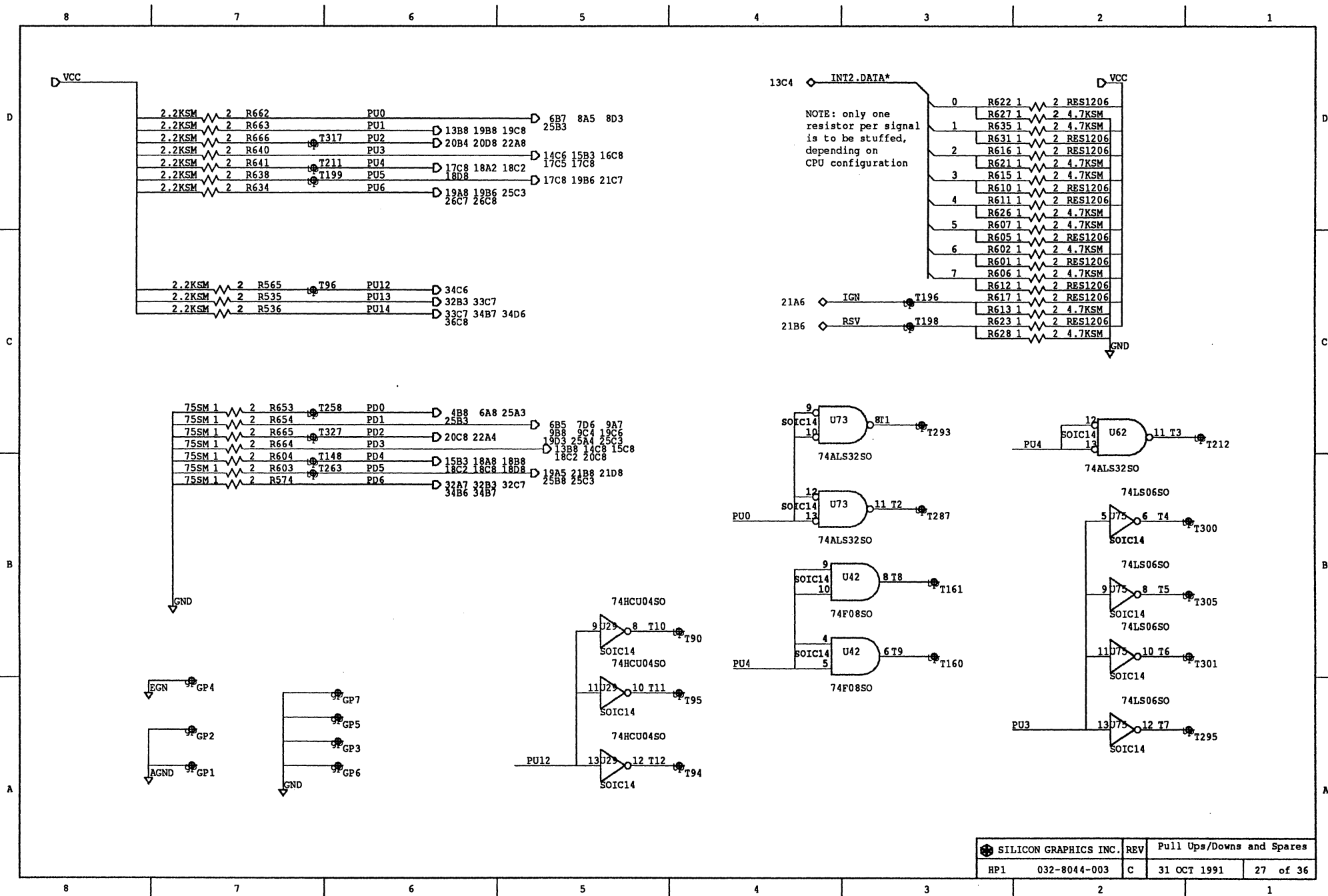


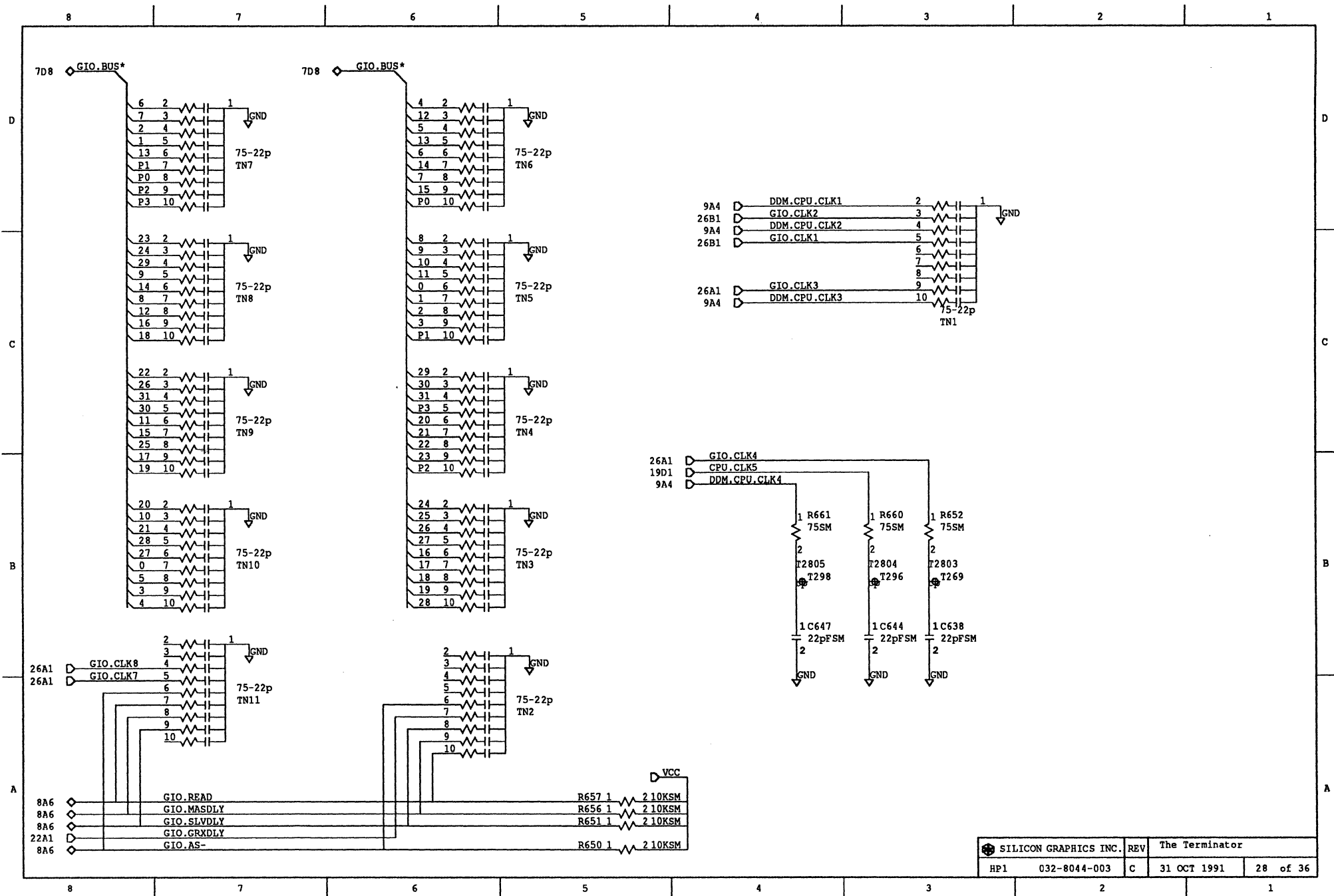
Note: This is an or function implemented this way for timing

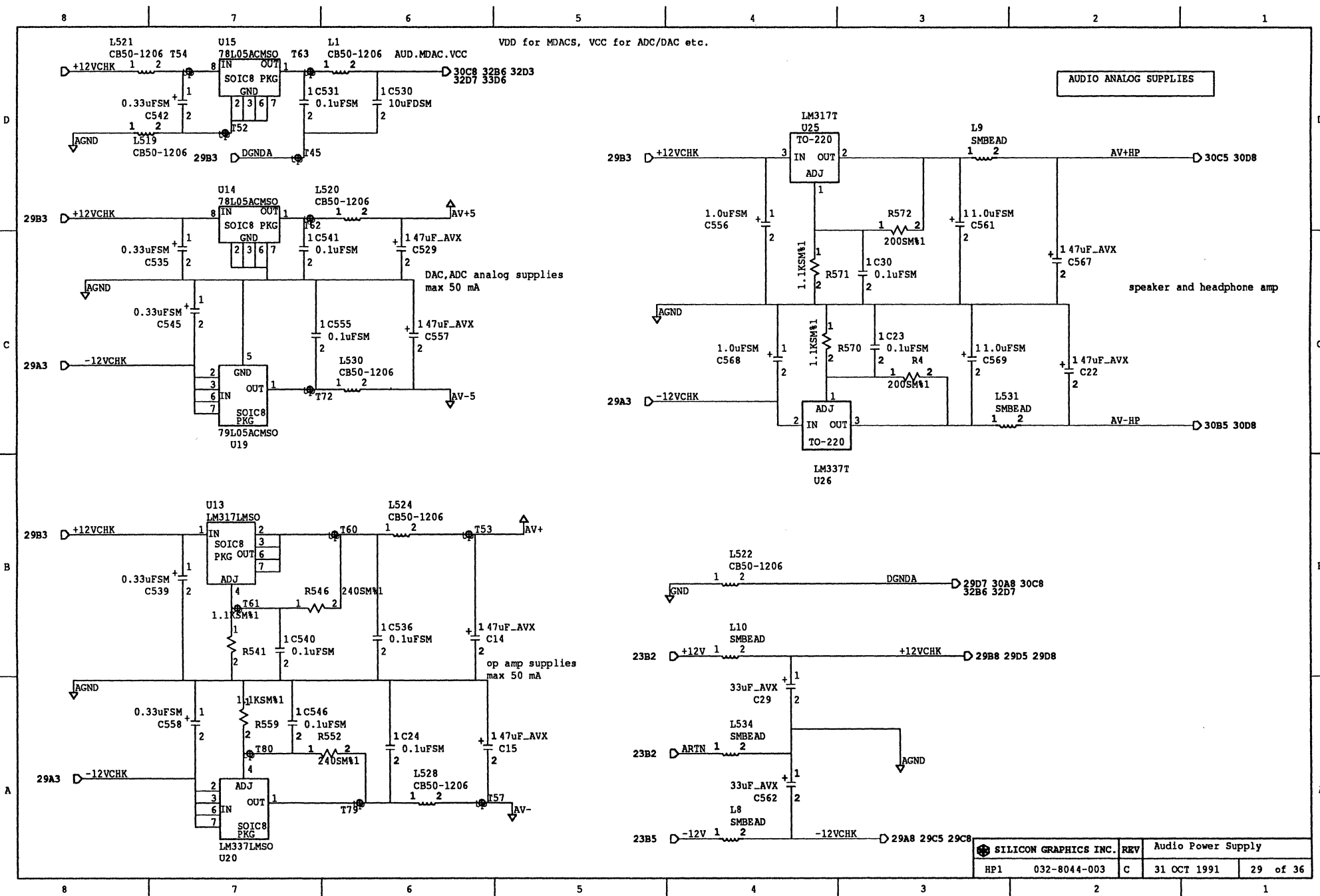
SILICON GRAPHICS INC.		REV	Reset, LED, and more...	
HP1	032-8044-003	C	31 OCT 1991	25 of 36



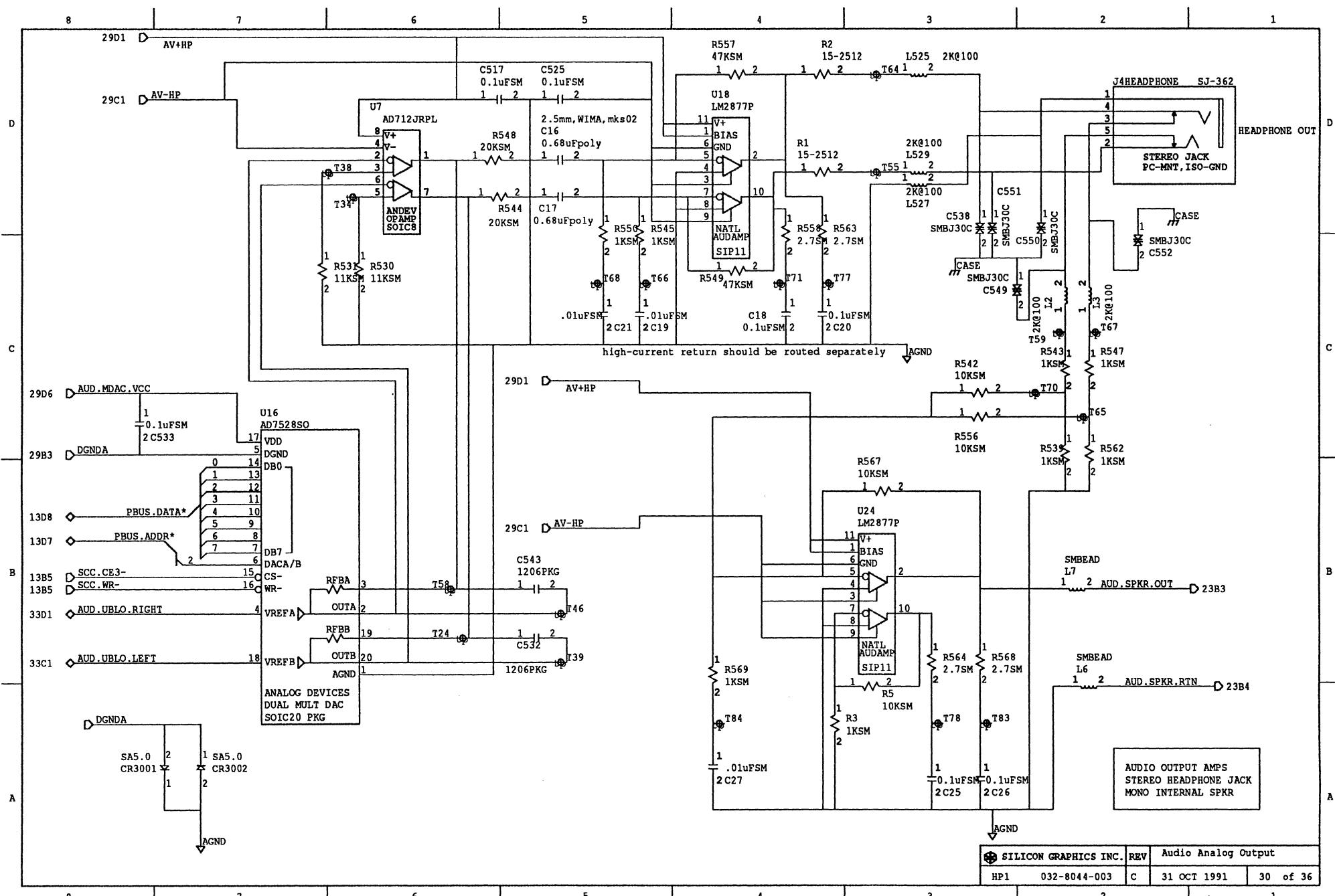
SILICON GRAPHICS INC.		REV	GIO Clocks	
HP1	032-8044-003	C	31 OCT 1991	26 of 36



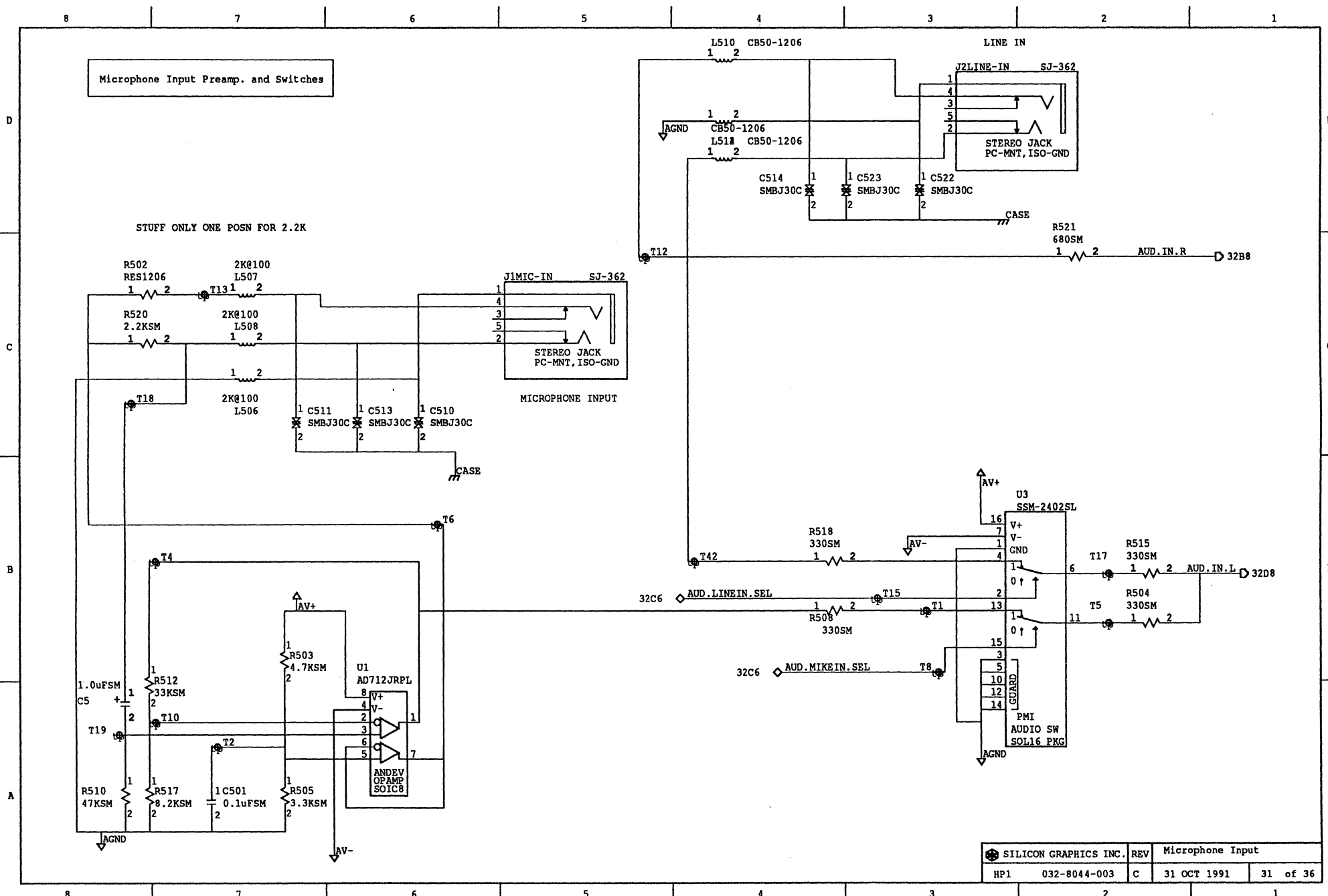


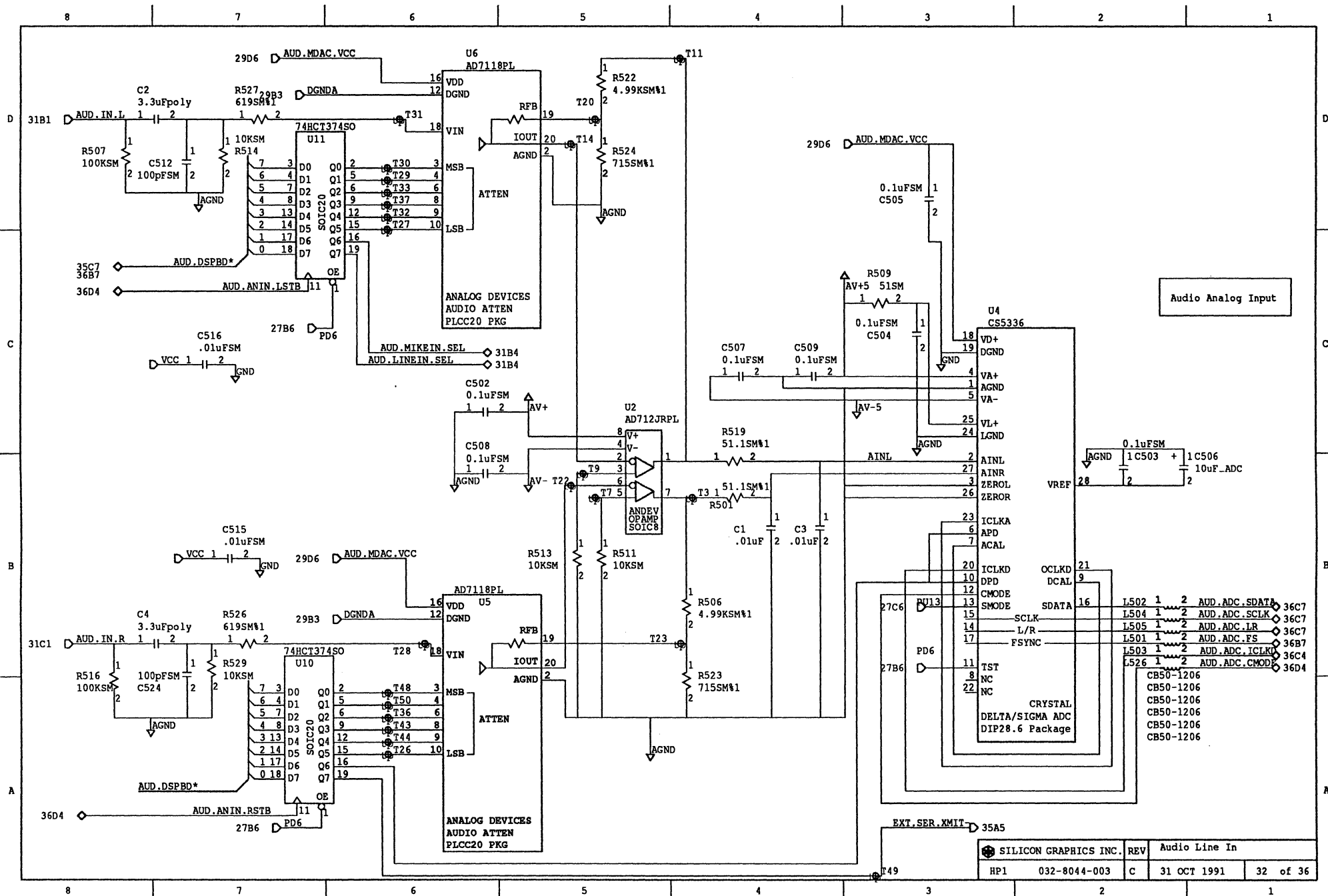


SILICON GRAPHICS INC.		REV	Audio Power Supply	
HP1	032-8044-003	C	31 OCT 1991	29 of 36



SILICON GRAPHICS INC.		REV	Audio Analog Output	
HP1	032-8044-003	C	31 OCT 1991	30 of 36

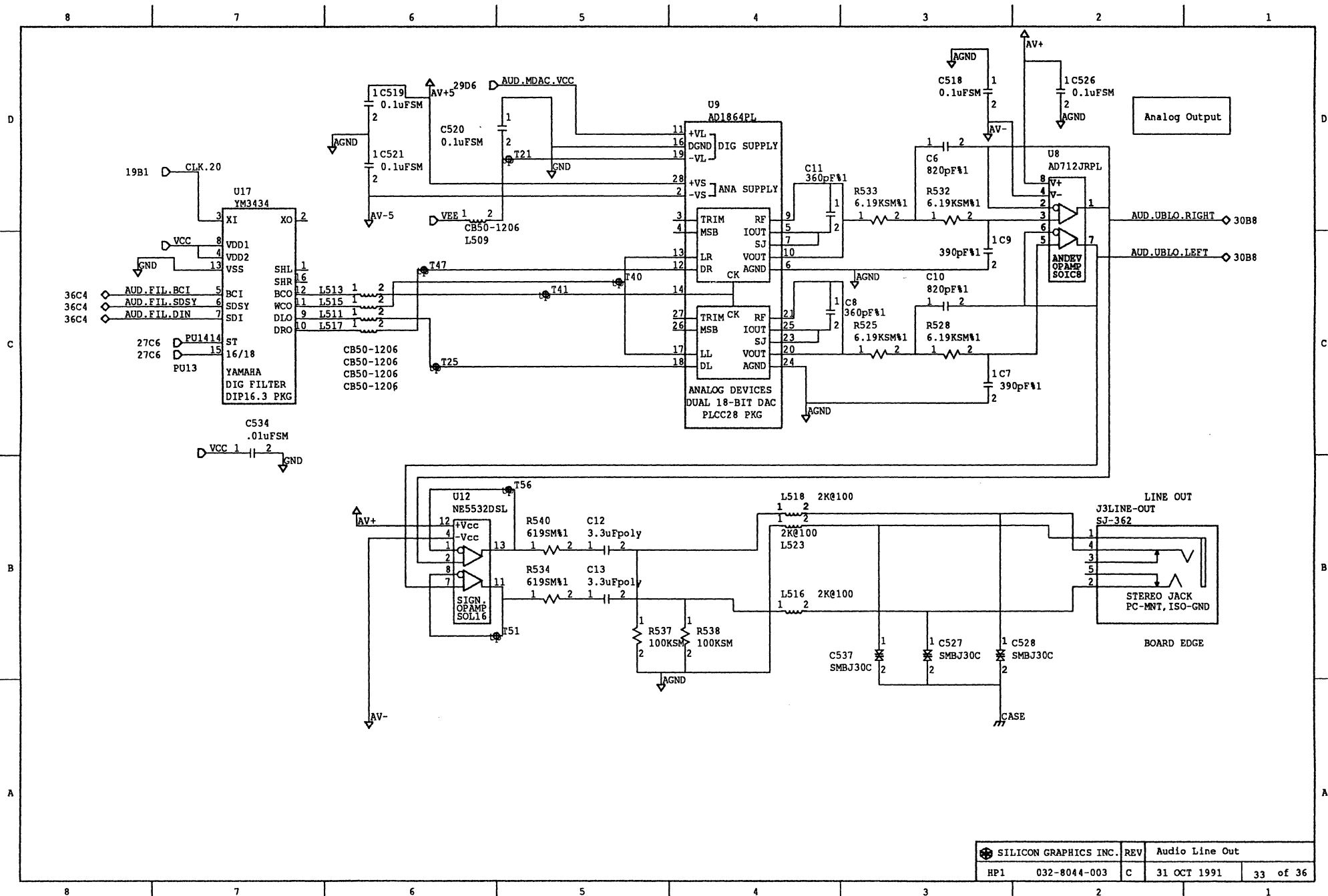




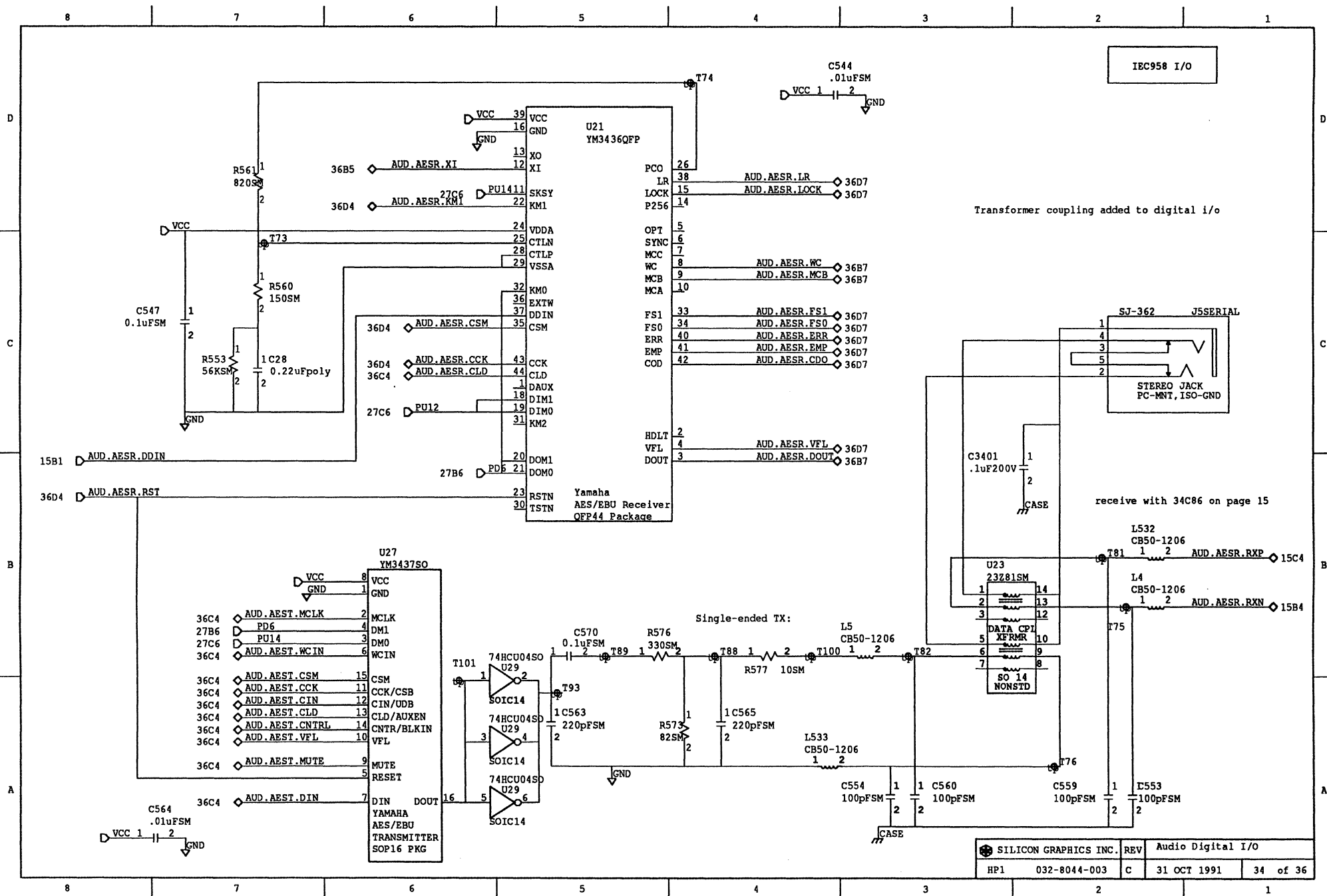
Audio Analog Input

SILICON GRAPHICS INC.		REV	Audio Line In	
HP1	032-8044-003	C	31 OCT 1991	32 of 36

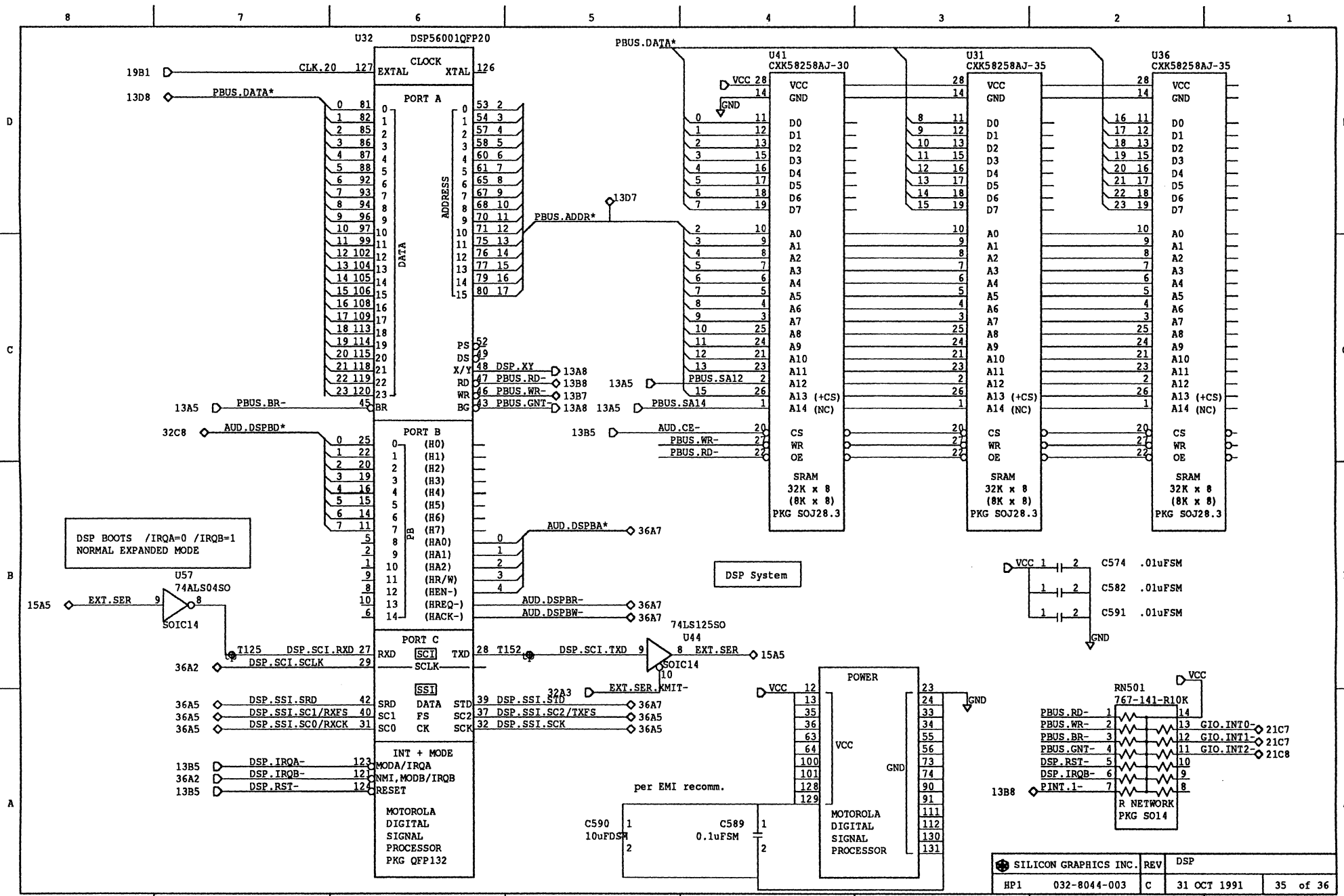


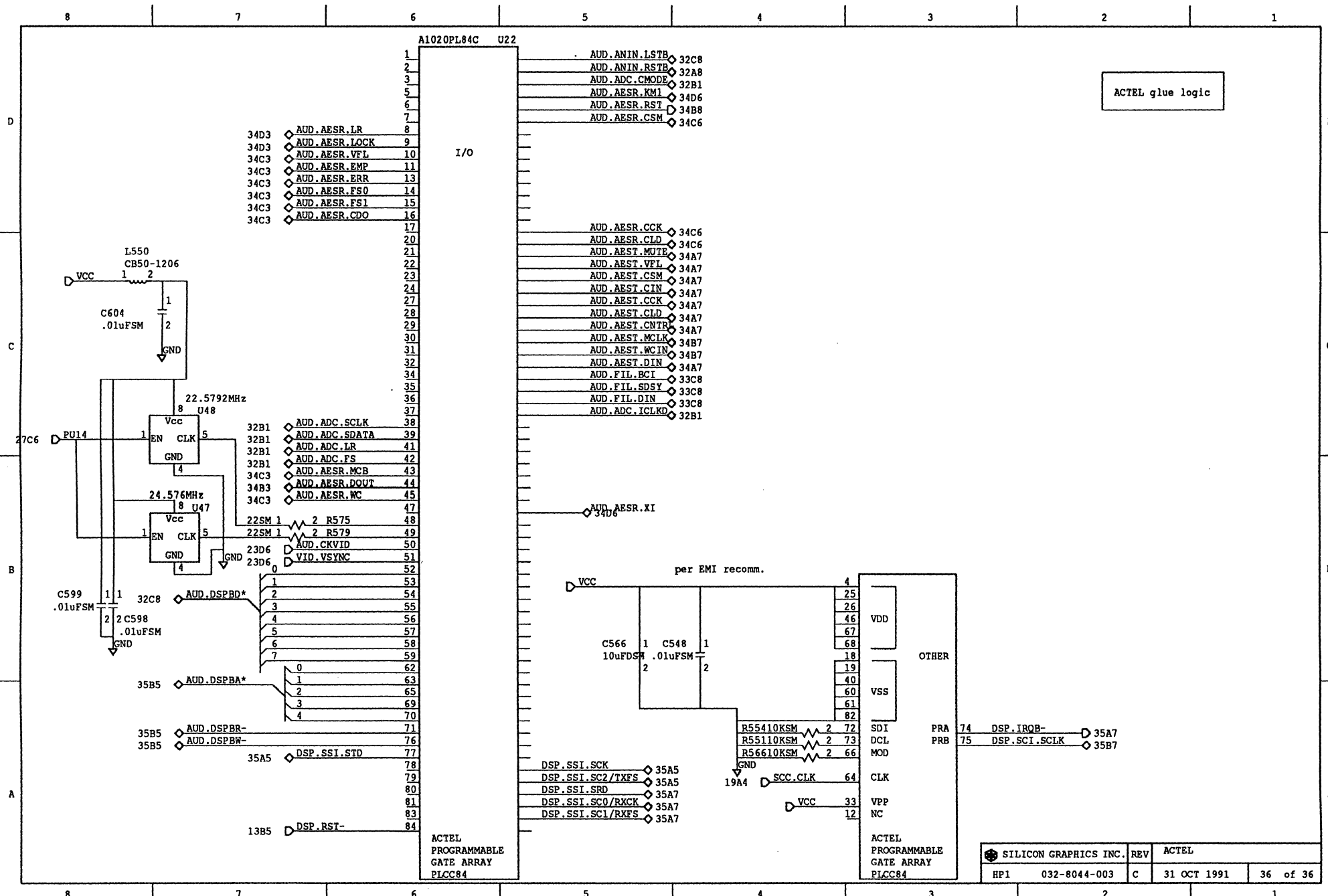


SILICON GRAPHICS INC.		REV	Audio Line Out	
HP1	032-8044-003	C	31 OCT 1991	33 of 36



SILICON GRAPHICS INC.		REV	Audio Digital I/O	
HP1	032-8044-003	C	31 OCT 1991	34 of 36





ACTEL glue logic

SILICON GRAPHICS INC.		REV	ACTEL	
HP1	032-8044-003	C	31 OCT 1991	36 of 36