

IMI 5000 Controller

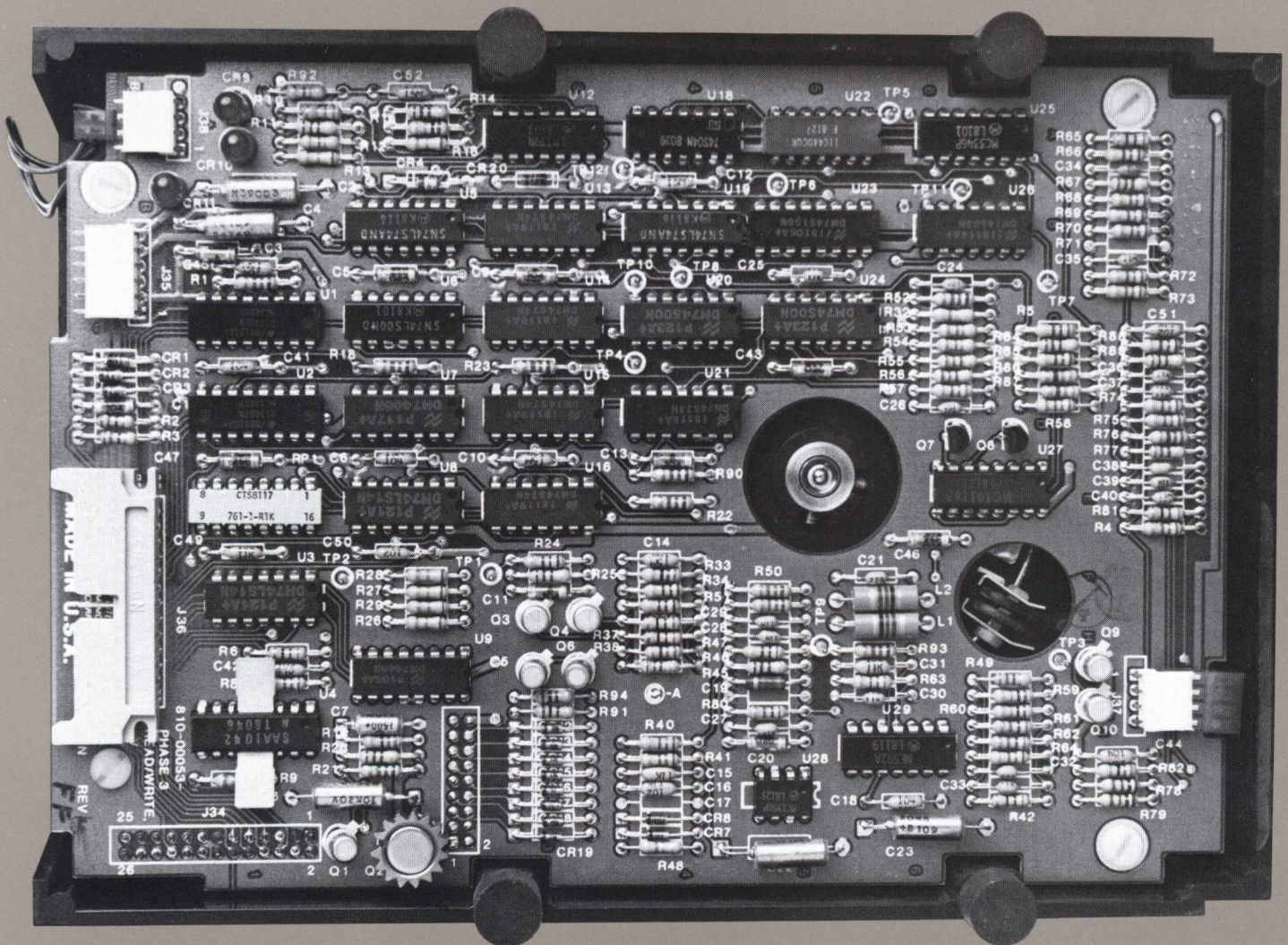


Controller for IMI 5007 5¼-inch Winchester Disk Drive.

Controller Series

Key features

- High level read/write commands
- 128, 256 and 512 byte logical sectors
- 512 byte buffer
- Logical or physical sector addressing
- Microprocessor controlled
- Media defects mapped automatically
- Sector interlacing
- Implied seek
- Overlapped commands
- Self test capability
- CRC checking
- Automatic error retry
- Performs all data encoding and decoding
- Data transfer may be program I/O or DMA driven
- Automatic head and cylinder switching
- Supports two IMI Model 5007 disk drives
- Data transfer (asynchronous) to 625 Kbytes/sec



IMI 5000 Controller Specifications

Status Codes

Following the completion of each operation the controller returns one of the following command execution status codes to the host.

No errors detected.

Servo fault during seek.*

Header mismatch (cylinder or head).*

Unimplemented or illegal command.

Servo fault during rezero.*

Disk transfer (read/write) timeout.*

Drive not on line.

Servo fault during write.*

Format protected (format command issued without format enable).

Servo fault during read.*

Data CRC error during read.*

Header mismatch (sector).*

Write protected (write command issued with write protect).

Illegal address (logical or physical).

Drive does not acknowledge command.

Commands

Rezero Drive.

Primary Format. Format the drive, with up to 255 write/read passes. Erase and rewrite the Defective Sectors List.

Format. Format the drive with one write/read pass and add to the old defective sector information.

Write Buffer. Transfer a sector of data from the host system to the controller write buffer.

Store Sector on Disk without Verify. Write specified sector on disk with data in controller write buffer. Do not verify.

Store Sector on Disk with Verify. Write specified sector on disk with data in controller write buffer. Verify correct CRC on next rotation.

Write Sector without Verify. Transfer a sector of data from the host system, and write that sector on the disk. Do not verify.

Write Sector with Verify. Transfer a sector of data from host system and write it on disk. Verify correct CRC on next rotation.

Fetch Sector from Disk. Read a sector of data from disk into the controller read buffer.

Read Buffer. Transfer a sector of data from the controller read buffer to the host system.

Read Sector. Read a sector of data from drive, and transefer to the host system.

Programmable Interlace. Set optimal host/controller sector transfer rate.

Diagnostic Read. Allows access to system sectors (i.e., the Defective Sectors List).

Diagnostic Write. Allows access to system sectors (i.e., the Defective Sectors List).

Add Skip. Manually include marginal tracks to track skip list.

Set Configuration. Software set drive configuration (Write or format protect, enable or disable Retries. Interlace Table. Seek Checking and Track Skipping).

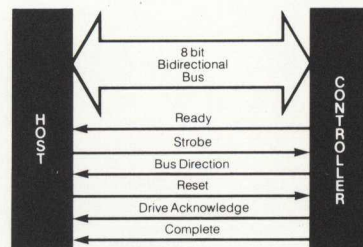
Poll. Used to determine if a particular drive is on line.

Return Drive Type.

Reset Drive. Do a warm-start reset of the controller hardware and software.

Host Interface

The host interface consists of an 8-bit bidirectional bus for commands, status and data along with six control lines. The interface utilizes standard TTL levels and no termination is required.



Power

+5 VDC, $\pm 5\%$, 1.0 amp typical

Dimensions

7.5 x 12.5 in (19.1 x 31.8 cm)

*Automatic retries are attempted on these error conditions.



International Memories Incorporated

10381 Bandlely Drive, Cupertino, CA 95014

(408) 446-9779 TWX: 910-338-7347

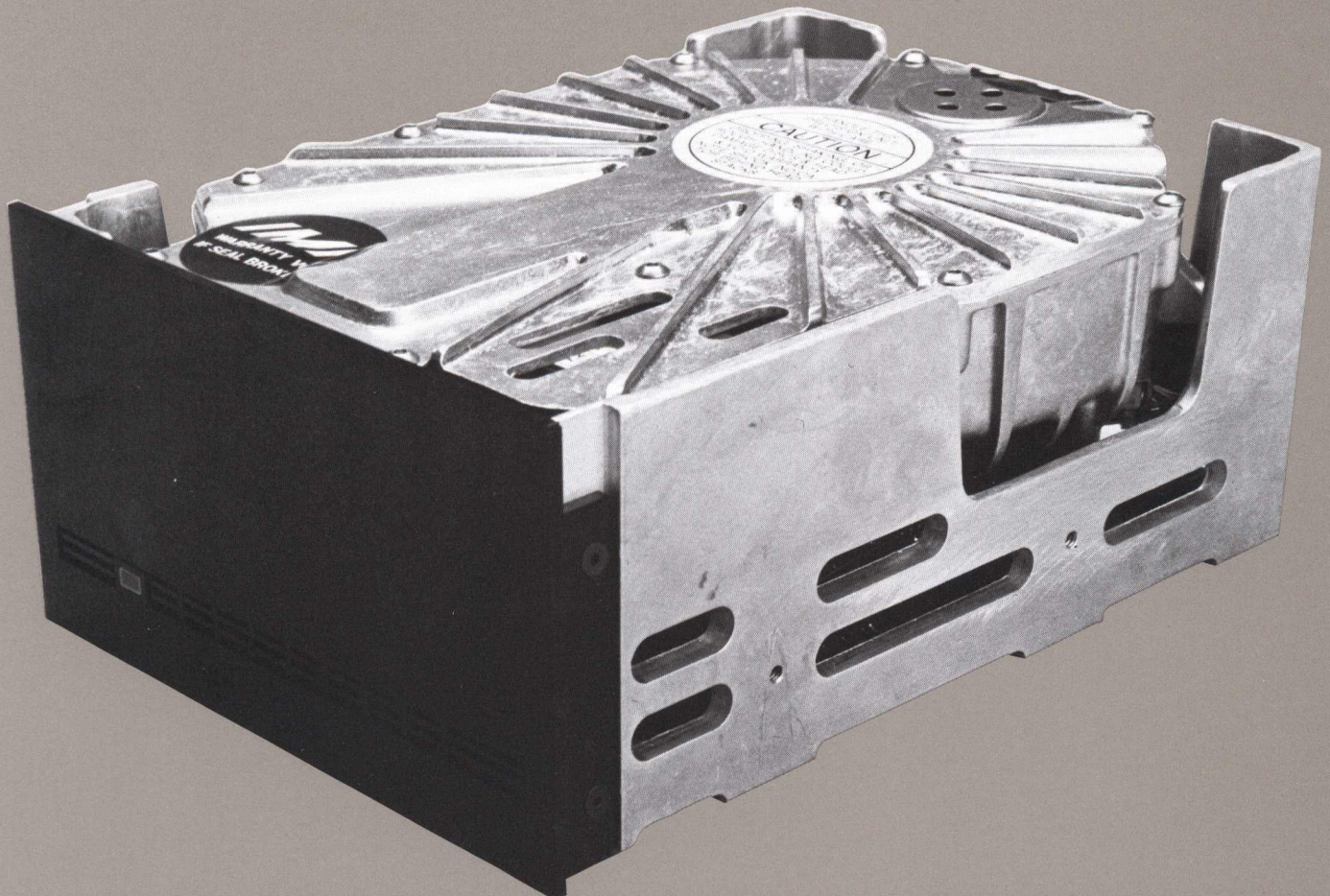
IMI 5012H

High reliability, high density 5¼-inch Winchester Disk Drive.

5000H Series

Key benefits

- 12.76 Mbytes of unformatted data storage capacity.
- Ultra hard thin-film plated media lessens possibility of damage due to handling, lowering field service costs.
- 2-piece design with integral shock mounts extends service life.
- Mechanical design allows efficient thermal dissipation, preventing the head from being forced out of alignment.
- Dedicated shipping zone provided for heads at inner diameter of disks.
- Read preamplifiers on the head stack reduce EMI/RFI noise susceptibility, increasing data reliability.
- Automatic spindle brake reduces shipping and handling damage.
- External air circulation system cools electronics.
- Stepper-motor actuator with self-aligning, 3-point carriage suspension minimizes positioning errors caused by friction and wear.
- Magnetically-shielded DC spin motor ensures data integrity.
- Steel-band actuator with patented pre-load compensator ensures reliable, on-track operation.
- Industry standard interface allows fast system integration.
- Short, sturdy head arms improve data reliability by minimizing possible resonances.
- Drive requires no adjustments or preventive maintenance.
- DC power allows worldwide installation.



IMI 5012H Specifications

Functional	Capacity (unformatted)	Drive	12.76 Mbytes	
		Per surface	3.18 Mbytes	
		Per track	10,417 bytes	
	Capacity (formatted)	Drive	10.0 Mbytes	
		Per surface	2.50 Mbytes	
		Per track	8,192 bytes	
		Sectors per track	32	
		Bytes per sector	256	
	Recording density		9,706 bpi	
	Track density		303 tpi	
	Tracks per surface		306	
	Recording surfaces		4	
	Heads per surface		1	
Disks		2		
Performance	Rotational speed		3,600 rpm	
	Transfer rate		625 Kbytes/per second	
	Positioning time	Track-to-track		3 ms
		Average		85 ms
		Maximum		180 ms
		Settling time		15 ms
	Average latency		8.3 ms	
Reliability	MTBF		10,000 POH	
	MTTR		less than 0.5 hour	
	Error rates:	Soft		1 in 10 ¹⁰ bits
		Hard		1 in 10 ¹² bits
		Seek		1 in 10 ⁶ seeks
Power	+12 VDC, ±5%, 1.0 amps typical, 3 amps peak starting +5 VDC, ±5%, 1.0 amp typical			
Environmental	Temperature		50°F to 122°F (10°C to 50°C)	
	Relative humidity		10% to 80%	
	Temperature variation		18°F (10°C)/hr.	
	Altitude		10,000 ft (3050 m)	
Physical	Height		3.25 in (8.26 cm)	
	Width		5.75 in (14.61 cm)	
	Depth		8.0 in (20.32 cm)	
	Weight		5 lbs (2.27 kg)	
Interface	ST506 and SA1000. IMI standard bus and controller interfaces, which are compatible with IMI 7000 Series 8-inch Winchester, are also available.			
Simple Installation	The 5012H can be installed either vertically on its side or horizontally on its base. Its physical size is identical to that of a minifloppy, and the mounting holes are identical to the minifloppy industry standard.			



International Memories Incorporated
 10381 Bandlely Drive, Cupertino, CA 95014
 (408) 446-9779 TWX: 910-338-7347

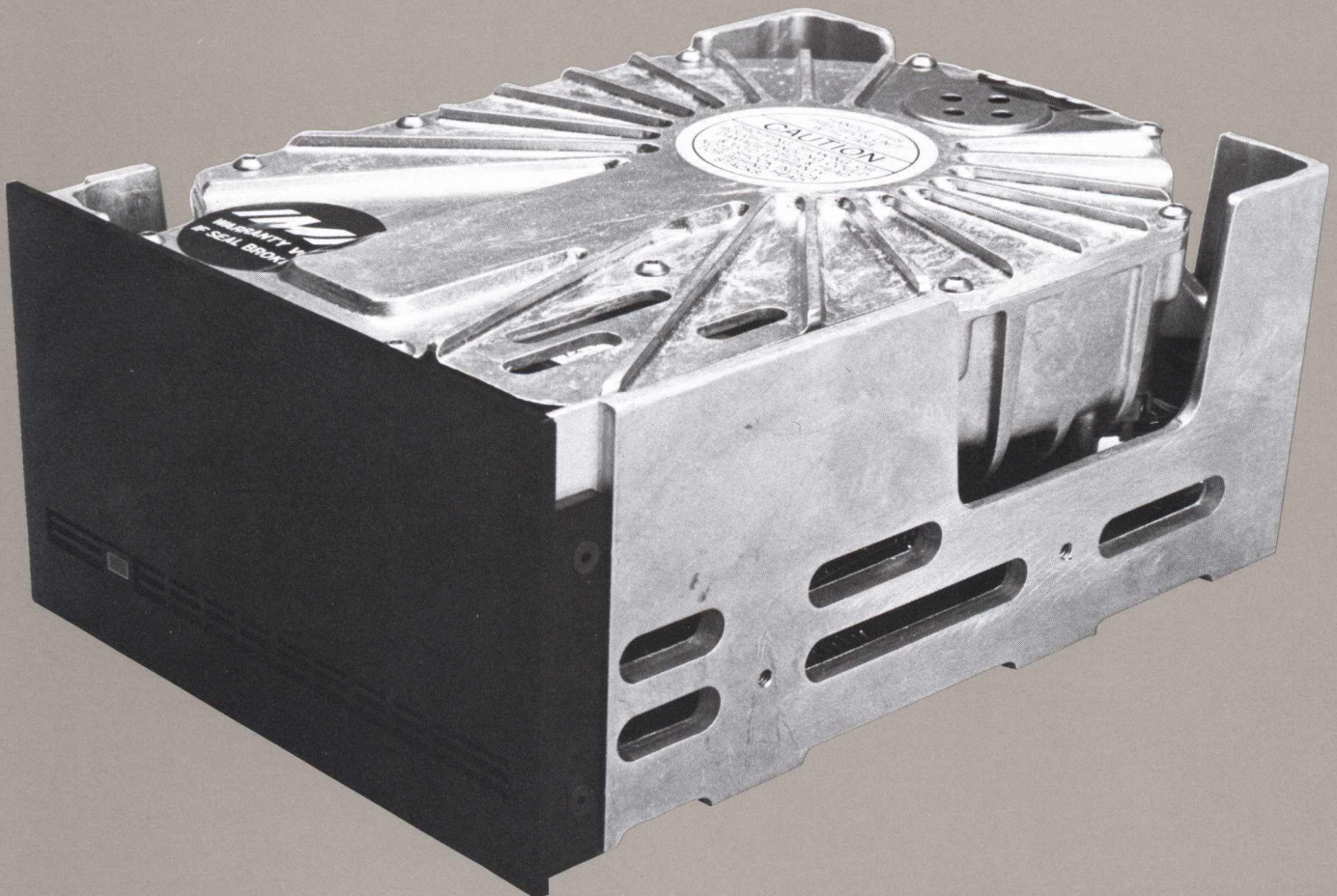
IMI 5018H

High reliability, high density 5 1/4-inch Winchester Disk Drive.

5000H Series

Key benefits

- 19.14 Mbytes of unformatted data storage capacity.
- Ultra hard thin-film plated media lessens possibility of damage due to handling, lowering field service costs.
- 2-piece design with integral shock mounts extends service life.
- Mechanical design allows efficient thermal dissipation, preventing the head from being forced out of alignment.
- Dedicated shipping zone provided for heads at inner diameter of disks.
- Read preamplifiers on the head stack reduce EMI/RFI noise susceptibility, increasing data reliability.
- Automatic spindle brake reduces shipping and handling damage.
- External air circulation system cools electronics.
- Stepper-motor actuator with self-aligning, 3-point carriage suspension minimizes positioning errors caused by friction and wear.
- Magnetically-shielded DC spin motor ensures data integrity.
- Steel-band actuator with patented pre-load compensator ensures reliable, on-track operation.
- Industry standard interface allows fast system integration.
- Short, sturdy head arms improve data reliability by minimizing possible resonances.
- Drive requires no adjustments or preventive maintenance.
- DC power allows worldwide installation.



IMI 5018H Specifications

Functional	Capacity (unformatted)	Drive	19.14 Mbytes	
		Per surface	3.18 Mbytes	
		Per track	10,417 bytes	
	Capacity (formatted)	Drive	15.0 Mbytes	
		Per surface	2.50 Mbytes	
		Per track	8,192 bytes	
		Sectors per track	32	
		Bytes per sector	256	
	Recording density		9,706 bpi	
	Track density		303 tpi	
	Tracks per surface		306	
	Recording surfaces		6	
Heads per surface		1		
Disks		3		
Performance	Rotational speed		3,600 rpm	
	Transfer rate		625 Kbytes/per second	
	Positioning time	Track-to-track		3 ms
		Average		85 ms
		Maximum		180 ms
		Settling time		15 ms
Average latency		8.3 ms		
Reliability	MTBF		10,000 POH	
	MTRR		less than 0.5 hour	
	Error rates:	Soft		1 in 10 ¹⁰ bits
		Hard		1 in 10 ¹² bits
	Seek		1 in 10 ⁶ seeks	
Power	+12 VDC, ±5%, 1.0 amps typical, 3 amps peak starting +5 VDC, ±5%, 1.0 amp typical			
Environmental	Temperature		50°F to 122°F (10°C to 50°C)	
	Relative humidity		10% to 80%	
	Temperature variation		18°F (10°C)/hr	
	Altitude		10,000 ft (3050 m)	
Physical	Height		3.25 in (8.26 cm)	
	Width		5.75 in (14.61 cm)	
	Depth		8.0 in (20.32 cm)	
	Weight		5 lbs (2.27 kg)	
Interface	ST506 and SA1000. IMI standard bus and controller interfaces, which are compatible with IMI 7000 Series 8-inch Winchester, are also available.			
Simple Installation	The 5018H can be installed either vertically on its side or horizontally on its base. Its physical size is identical to that of a minifloppy, and the mounting holes are identical to the minifloppy industry standard.			



International Memories Incorporated
10381 Bandlely Drive, Cupertino, CA 95014
(408) 446-9779 TWX: 910-338-7347