

OPERATING NOTICE

64171-92002

**THIS PAGE MAY BE DISCARDED AFTER YOU PLACE THE DOCUMENT
UNDER IT INTO THE BINDER.**

Installing Static Random Access Memory Modules

This installation notice is for the following Static Random Access Memory (SRAM) modules:

HP 64171A 256 Kbyte, 35 ns, SRAM module.

HP 64171B 1 Mbyte, 35 ns, SRAM module.

HP 64172A 256 Kbyte, 20 ns, SRAM module.

HP 64172B 1 Mbyte, 20 ns, SRAM module.

HP 64173A 4 Mbyte, 25 ns, SRAM module.

Place this installation notice in the binder that contains the manual for the product where these SRAM modules are used. This is supplemental information; it may not be in the product manual.

Because the HP 64172A and HP 64172B SRAM modules are faster than the HP 64171A and HP 64171B (that is, they have shorter access times), they can be used in any product that requires the HP 64171A or HP 64171B SRAM modules, respectively. However, the converse is *not* true.

The HP 64173A is also faster than the 64171A/B, but it can only be used in products that are designed to use 4-Mbyte SRAM modules.

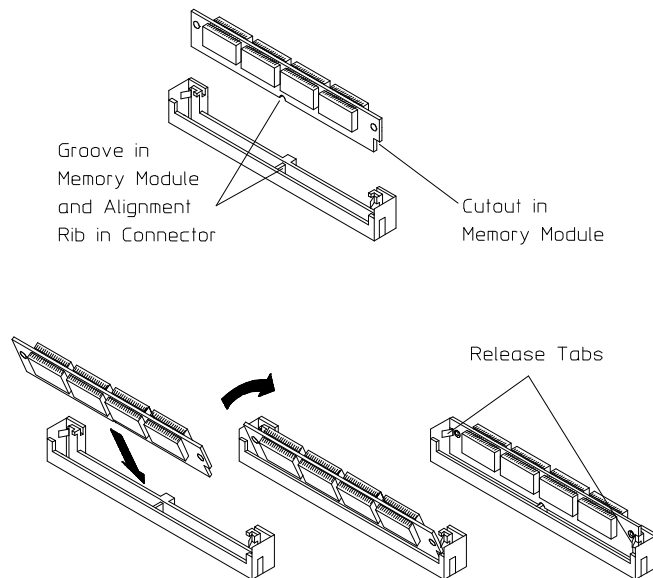
Except as noted in product specific user's guide manuals or data sheets, performance characteristics of the products using HP 64171/172/173 SRAM modules do not change.

If HP 64171A/B, HP 64172A/B, and HP 64173A SRAM modules are mixed within a product, the performance characteristics of the product are governed by the slowest SRAM module in the mix.

Caution

If the SRAM module is not seated properly, it may be electrically damaged by the mis-alignment.

- 1 Align the groove in the memory module with the alignment rib in the connector.
- 2 Align the cutout in the memory module with the projection in the connector.
- 3 Place the memory module into the connector groove at an angle.
- 4 Firmly press the memory module into the connector and make sure it is completely seated.
- 5 Rotate the memory module forward so that the pegs on the connector fit into the holes on the memory module.
- 6 Make sure the release tabs at each end of the connector snap around the memory module to hold it in place.



64794E03

Note to users of the HP 64761A (80960SA/SB Emulator) product. This product can use either the HP 64171A/B or HP 64172A/B SRAM modules with the following performance changes.

HP 64171A/B 0 wait state emulation memory through 24 MHz (CLK2).
 1 wait state emulation memory above 24 MHz (CLK2).

HP 64172A/B 0 wait state emulation memory through 32 MHz (CLK2).

Minimum emulation memory wait states are selected with the clock speed specification when you set up the 80960 emulator configuration. The HP 64173A SRAM is not compatible with HP 64761A.