

CONNECTOR SIGNALS

P1	SIGNAL	DIRECTION
1	GND	
2	+5V	
3	+12V	
4	+12V	
5	+12V	
6	+12V	
7	+12V	
8	+12V	
9	+12V	
10	+12V	
11	+12V	
12	+12V	
13	+12V	
14	+5V	
15	+5V	
16	VST-	
17	WACK-	NU
18	RC-	
19	FLK-	
20	SLE-	
21	WACK-	NU
22	WACK-	NU
23	WACK-	NU
24	WACK-	NU
25	WACK-	NU
26	WACK-	NU
27	WACK-	NU
28	WACK-	NU
29	WACK-	NU
30	WACK-	NU
31	WACK-	NU
32	WACK-	NU
33	WACK-	NU
34	WACK-	NU
35	WACK-	NU
36	WACK-	NU
37	WACK-	NU
38	WACK-	NU
39	WACK-	NU
40	WACK-	NU
41	WACK-	NU
42	WACK-	NU
43	WACK-	NU
44	WACK-	NU
45	WACK-	NU
46	WACK-	NU
47	WACK-	NU
48	WACK-	NU
49	WACK-	NU
50	WACK-	NU
51	WACK-	NU
52	WACK-	NU
53	WACK-	NU
54	WACK-	NU
55	WACK-	NU
56	WACK-	NU
57	WACK-	NU
58	WACK-	NU
59	WACK-	NU
60	WACK-	NU
61	WACK-	NU
62	WACK-	NU
63	WACK-	NU
64	WACK-	NU
65	WACK-	NU
66	WACK-	NU
67	WACK-	NU
68	WACK-	NU
69	WACK-	NU
70	WACK-	NU
71	WACK-	NU
72	WACK-	NU
73	WACK-	NU
74	WACK-	NU
75	WACK-	NU
76	WACK-	NU
77	WACK-	NU
78	WACK-	NU
79	WACK-	NU
80	WACK-	NU
81	WACK-	NU
82	WACK-	NU
83	WACK-	NU
84	WACK-	NU
85	WACK-	NU
86	WACK-	NU
87	WACK-	NU
88	WACK-	NU
89	WACK-	NU
90	WACK-	NU
91	WACK-	NU
92	WACK-	NU
93	WACK-	NU
94	WACK-	NU
95	WACK-	NU
96	WACK-	NU
97	WACK-	NU
98	WACK-	NU
99	WACK-	NU
100	WACK-	NU

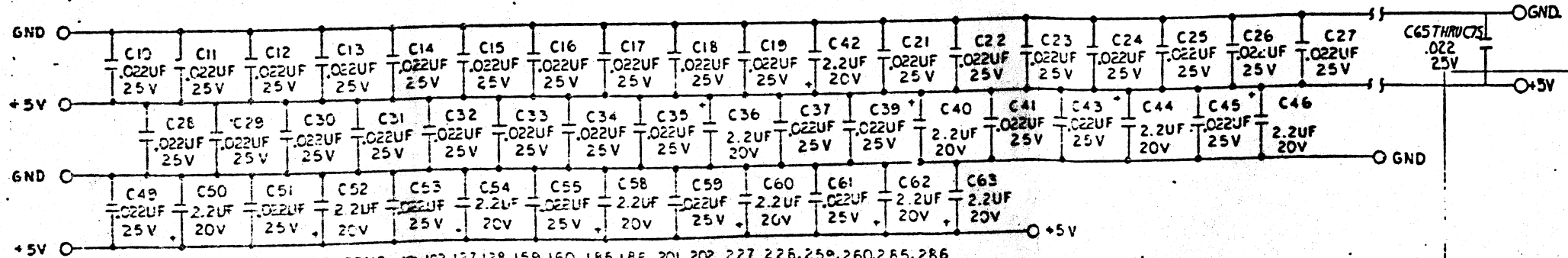
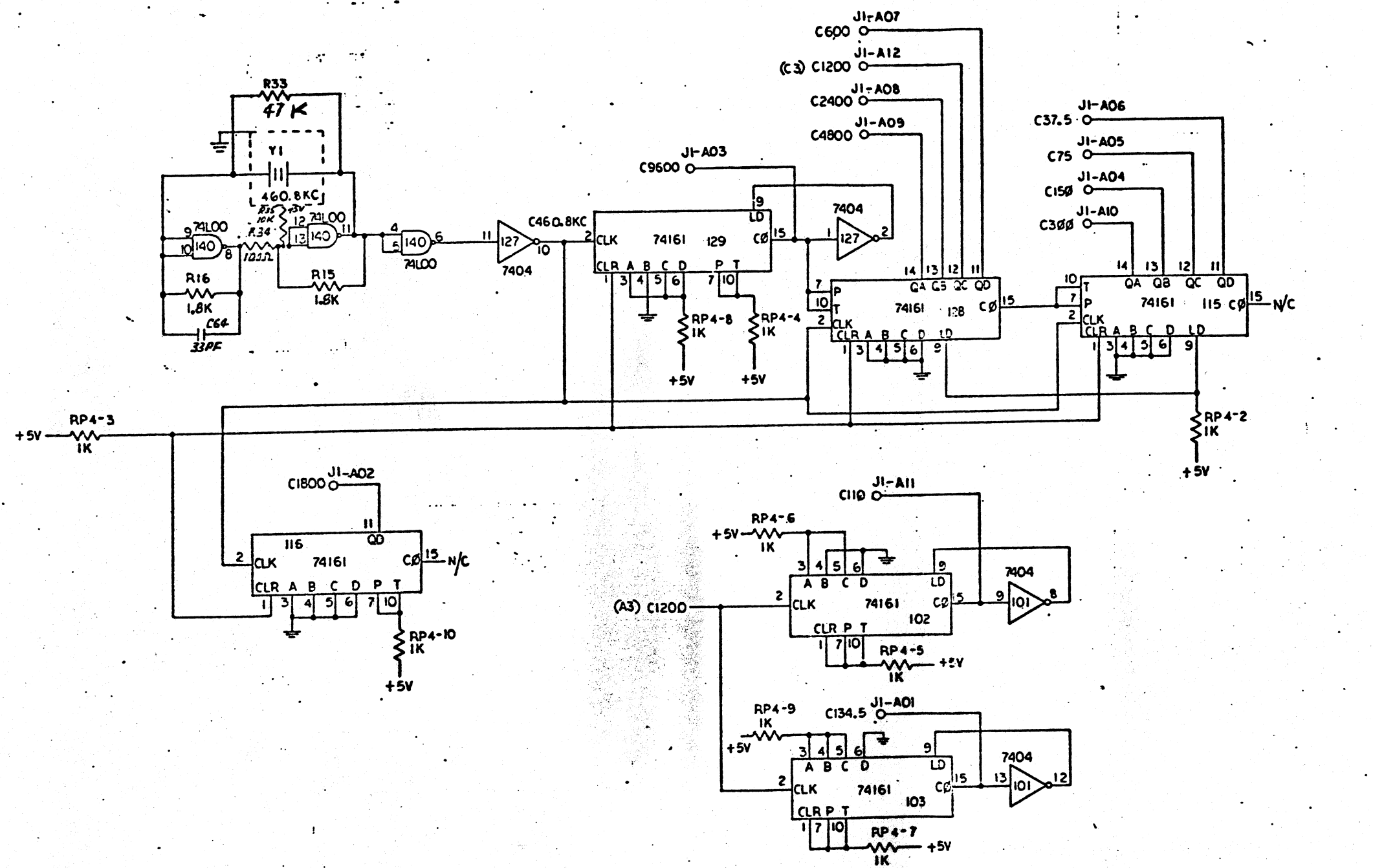
P2	SIGNAL	DIRECTION
201	GND	
202	+5V	
203	+12V	
204	+12V	
205	+12V	
206	+12V	
207	+12V	
208	+12V	
209	+12V	
210	+12V	
211	+12V	
212	+12V	
213	+5V	
214	+5V	
215	VST-	NU
216	WACK-	NU
217	RC-	
218	FLK-	
219	SLE-	
220	WACK-	NU
221	WACK-	NU
222	WACK-	NU
223	WACK-	NU
224	WACK-	NU
225	WACK-	NU
226	WACK-	NU
227	WACK-	NU
228	WACK-	NU
229	WACK-	NU
230	WACK-	NU
231	WACK-	NU
232	WACK-	NU
233	WACK-	NU
234	WACK-	NU
235	WACK-	NU
236	WACK-	NU
237	WACK-	NU
238	WACK-	NU
239	WACK-	NU
240	WACK-	NU
241	WACK-	NU
242	WACK-	NU
243	WACK-	NU
244	WACK-	NU
245	WACK-	NU
246	WACK-	NU
247	WACK-	NU
248	WACK-	NU
249	WACK-	NU
250	WACK-	NU
251	WACK-	NU
252	WACK-	NU
253	WACK-	NU
254	WACK-	NU
255	WACK-	NU
256	WACK-	NU
257	WACK-	NU
258	WACK-	NU
259	WACK-	NU
260	WACK-	NU
261	WACK-	NU
262	WACK-	NU
263	WACK-	NU
264	WACK-	NU
265	WACK-	NU
266	WACK-	NU
267	WACK-	NU
268	WACK-	NU
269	WACK-	NU
270	WACK-	NU
271	WACK-	NU
272	WACK-	NU
273	WACK-	NU
274	WACK-	NU
275	WACK-	NU
276	WACK-	NU
277	WACK-	NU
278	WACK-	NU
279	WACK-	NU
280	WACK-	NU
281	WACK-	NU
282	WACK-	NU
283	WACK-	NU
284	WACK-	NU
285	WACK-	NU
286	WACK-	NU
287	WACK-	NU
288	WACK-	NU
289	WACK-	NU
290	WACK-	NU

J1	SIGNAL	DIRECTION
1	+5V	
2	+5V	
3	+12V	
4	+12V	
5	+12V	
6	+12V	
7	+12V	
8	+12V	
9	+12V	
10	+12V	
11	+12V	
12	+12V	
13	+12V	
14	+12V	
15	+12V	
16	+12V	
17	+12V	
18	+12V	
19	+12V	
20	+12V	
21	+12V	
22	+12V	
23	+12V	
24	+12V	
25	+12V	
26	+12V	
27	+12V	
28	+12V	
29	+12V	
30	+12V	
31	+12V	
32	+12V	
33	+12V	
34	+12V	
35	+12V	
36	+12V	
37	+12V	
38	+12V	
39	+12V	
40	+12V	
41	+12V	
42	+12V	
43	+12V	
44	+12V	
45	+12V	
46	+12V	
47	+12V	
48	+12V	
49	+12V	
50	+12V	
51	+12V	
52	+12V	
53	+12V	
54	+12V	
55	+12V	
56	+12V	
57	+12V	
58	+12V	
59	+12V	
60	+12V	
61	+12V	
62	+12V	
63	+12V	
64	+12V	
65	+12V	
66	+12V	
67	+12V	
68	+12V	
69	+12V	
70	+12V	
71	+12V	
72	+12V	
73	+12V	
74	+12V	
75	+12V	
76	+12V	
77	+12V	
78	+12V	
79	+12V	
80	+12V	
81	+12V	
82	+12V	
83	+12V	
84	+12V	
85	+12V	
86	+12V	
87	+12V	
88	+12V	
89	+12V	
90	+12V	
91	+12V	
92	+12V	
93	+12V	
94	+12V	
95	+12V	
96	+12V	
97	+12V	
98	+12V	
99	+12V	
100	+12V	

J1 CONT	SIGNAL	DIRECTION
1	SPARE	NU
2	SPARE	NU
3	SPARE	NU
4	SPARE	NU
5	SPARE	NU
6	SPARE	NU
7	SPARE	NU
8	SPARE	NU
9	SPARE	NU
10	SPARE	NU
11	SPARE	NU
12	SPARE	NU
13	SPARE	NU
14	SPARE	NU
15	SPARE	NU
16	SPARE	NU
17	SPARE	NU
18	SPARE	NU
19	SPARE	NU
20	SPARE	NU
21	SPARE	NU
22	SPARE	NU
23	SPARE	NU
24	SPARE	NU
25	SPARE	NU
26	SPARE	NU
27	SPARE	NU
28	SPARE	NU
29	SPARE	NU
30	SPARE	NU
31	SPARE	NU
32	SPARE	NU
33	SPARE	NU
34	SPARE	NU
35	SPARE	NU
36	SPARE	NU
37	SPARE	NU
38	SPARE	NU
39	SPARE	NU
40	SPARE	NU
41	SPARE	NU
42	SPARE	NU
43	SPARE	NU
44	SPARE	NU
45	SPARE	NU
46	SPARE	NU
47	SPARE	NU
48	SPARE	NU
49	SPARE	NU
50	SPARE	NU
51	SPARE	NU
52	SPARE	NU
53	SPARE	NU
54	SPARE	NU
55	SPARE	NU
56	SPARE	NU
57	SPARE	NU
58	SPARE	NU
59	SPARE	NU
60	SPARE	NU
61	SPARE	NU
62	SPARE	NU
63	SPARE	NU
64	SPARE	NU
65	SPARE	NU
66	SPARE	NU
67	SPARE	NU
68	SPARE	NU
69	SPARE	NU
70	SPARE	NU
71	SPARE	NU
72	SPARE	NU
73	SPARE	NU
74	SPARE	NU
75	SPARE	NU
76	SPARE	NU
77	SPARE	NU
78	SPARE	NU
79	SPARE	NU
80	SPARE	NU
81	SPARE	NU
82	SPARE	NU
83	SPARE	NU
84	SPARE	NU
85	SPARE	NU
86	SPARE	NU
87	SPARE	NU
88	SPARE	NU
89	SPARE	NU
90	SPARE	NU
91	SPARE	NU
92	SPARE	NU
93	SPARE	NU
94	SPARE	NU
95	SPARE	NU
96	SPARE	NU
97	SPARE	NU
98	SPARE	NU
99	SPARE	NU
100	SPARE	NU

J2	SIGNAL	DIRECTION
1	+5V	
2	+5V	
3	SPARE	NU
4	SPARE	NU
5	SPARE	NU
6	SPARE	NU
7	SPARE	NU
8	SPARE	NU
9	SPARE	NU
10	SPARE	NU
11	SPARE	NU
12	SPARE	NU
13	SPARE	NU
14	SPARE	NU
15	SPARE	NU
16	SPARE	NU
17	SPARE	NU
18	SPARE	NU
19	SPARE	NU
20	SPARE	NU
21	SPARE	NU
22	SPARE	NU
23	SPARE	NU
24	SPARE	NU
25	SPARE	NU
26	SPARE	NU
27	SPARE	NU
28	SPARE	NU
29	SPARE	NU
30	SPARE	NU
31	SPARE	NU
32	SPARE	NU
33	SPARE	NU
34	SPARE	NU
35	SPARE	NU
36	SPARE	NU
37	SPARE	NU
38	SPARE	NU
39	SPARE	NU
40	SPARE	NU
41	SPARE	NU
42	SPARE	NU
43	SPARE	NU
44	SPARE	NU
45	SPARE	NU
46	SPARE	NU
47	SPARE	NU
48	SPARE	NU
49	SPARE	NU
50	SPARE	NU
51	SPARE	NU
52	SPARE	NU
53	SPARE	NU
54	SPARE	NU
55	SPARE	NU
56	SPARE	NU
57	SPARE	NU
58	SPARE	NU
59	SPARE	NU
60	SPARE	NU
61	SPARE	NU
62	SPARE	NU
63	SPARE	NU
64	SPARE	NU
65	SPARE	NU
66	SPARE	NU
67	SPARE	NU
68	SPARE	NU
69	SPARE	NU
70	SPARE	NU
71	SPARE	NU
72	SPARE	NU
73	SPARE	NU
74	SPARE	NU
75	SPARE	NU
76	SPARE	NU
77	SPARE	NU
78	SPARE	NU
79	SPARE	NU
80	SPARE	NU
81	SPARE	NU
82	SPARE	NU
83	SPARE	NU
84	SPARE	NU
85	SPARE	NU
86	SPARE	NU
87	SPARE	NU
88	SPARE	NU
89	SPARE	NU
90	SPARE	NU
91	SPARE	NU
92	SPARE	NU

REV	DESCRIPTION	DN	CH	DATE	APPROVAL



P1 & P2 GND PINS - 10, 102, 127, 128, 159, 160, 185, 186, 201, 202, 227, 228, 259, 260, 285, 286  
 P1 & P2 +5V PINS - 113, 114, 143, 144, 173, 174, 213, 214, 243, 244, 273, 274

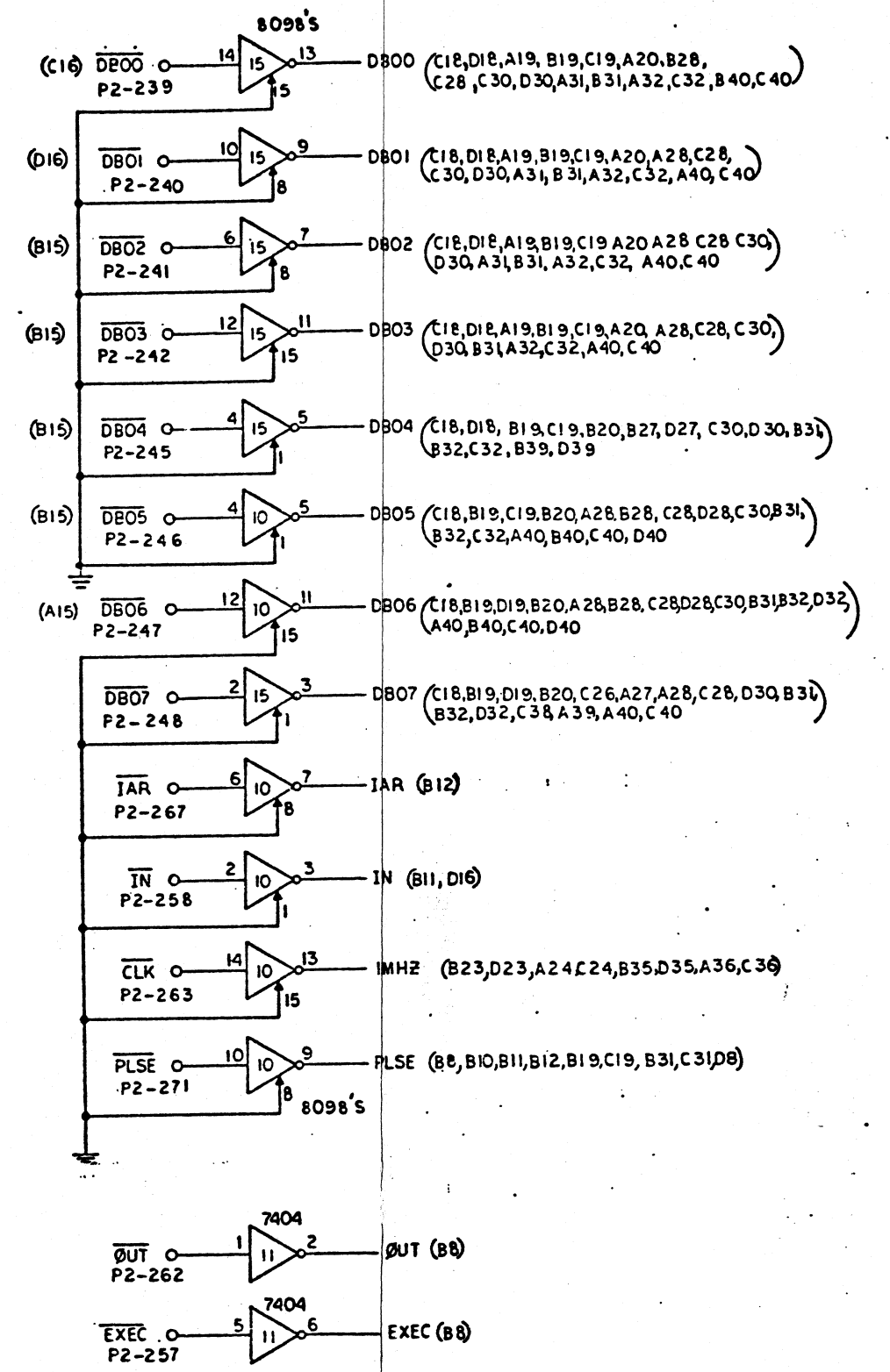
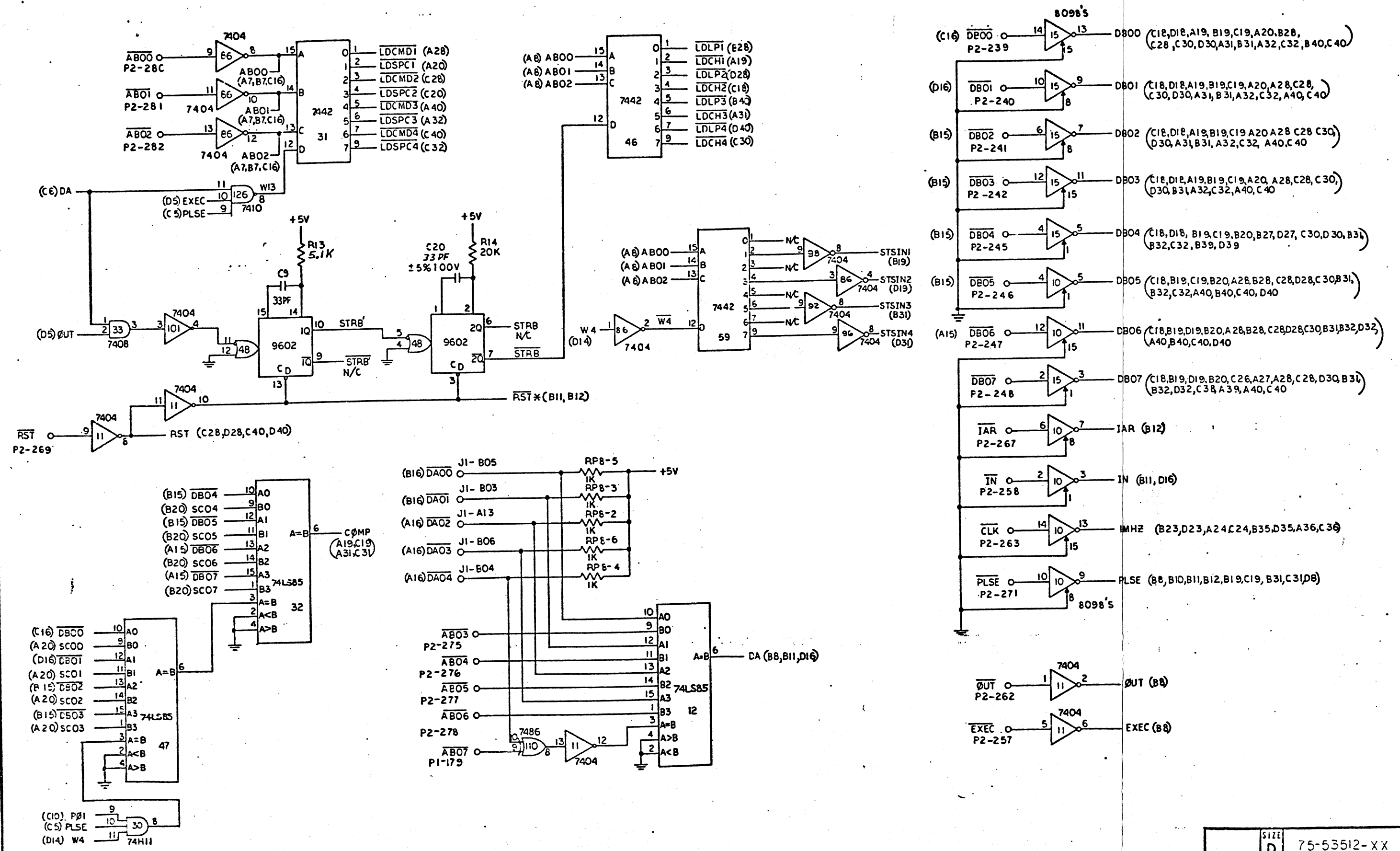
SIZE	DWG. NO.	REV
D	75-53512-YX	E27
SCALE =	SHT. 2 OF 11	

4

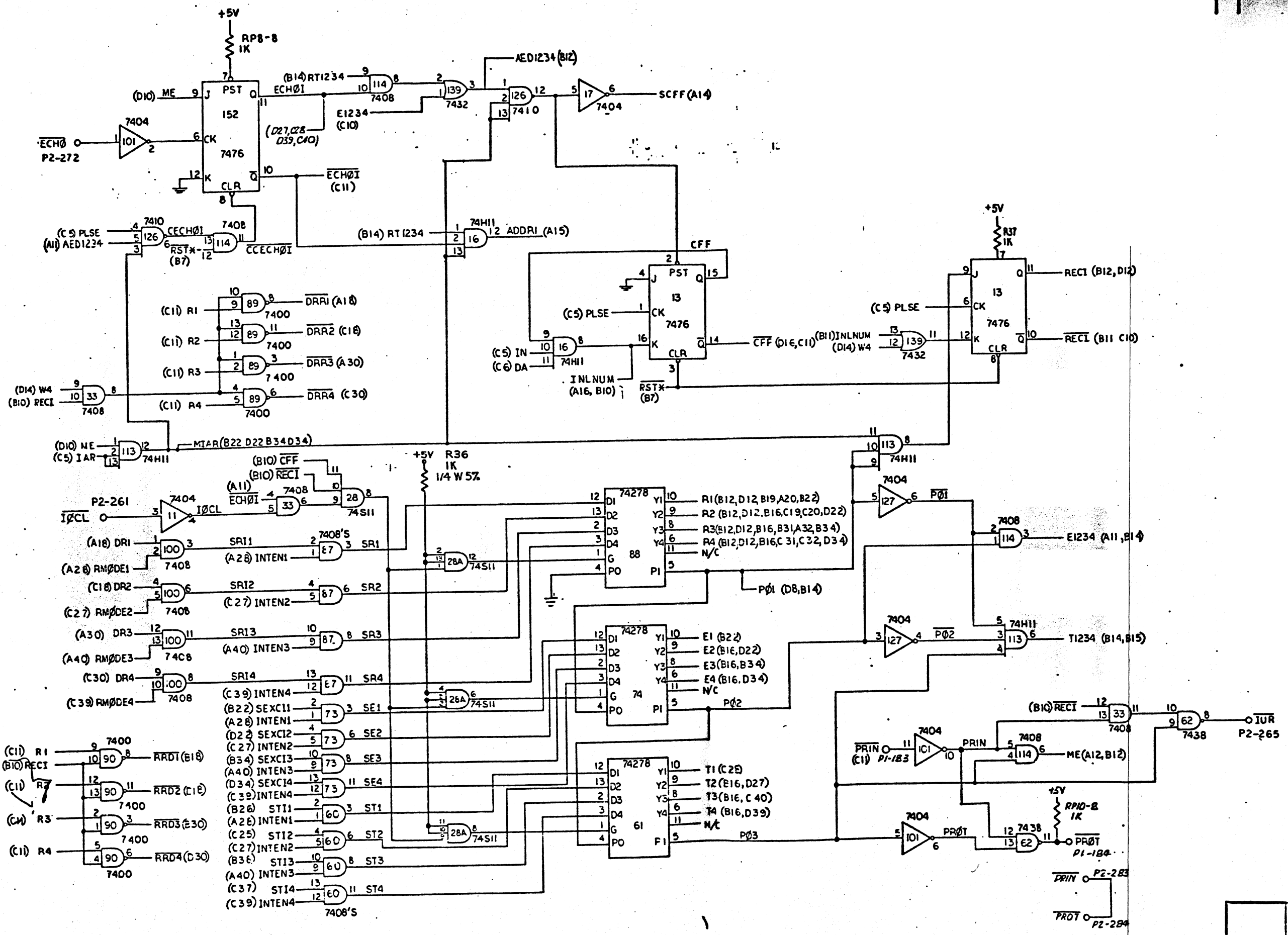
3

2

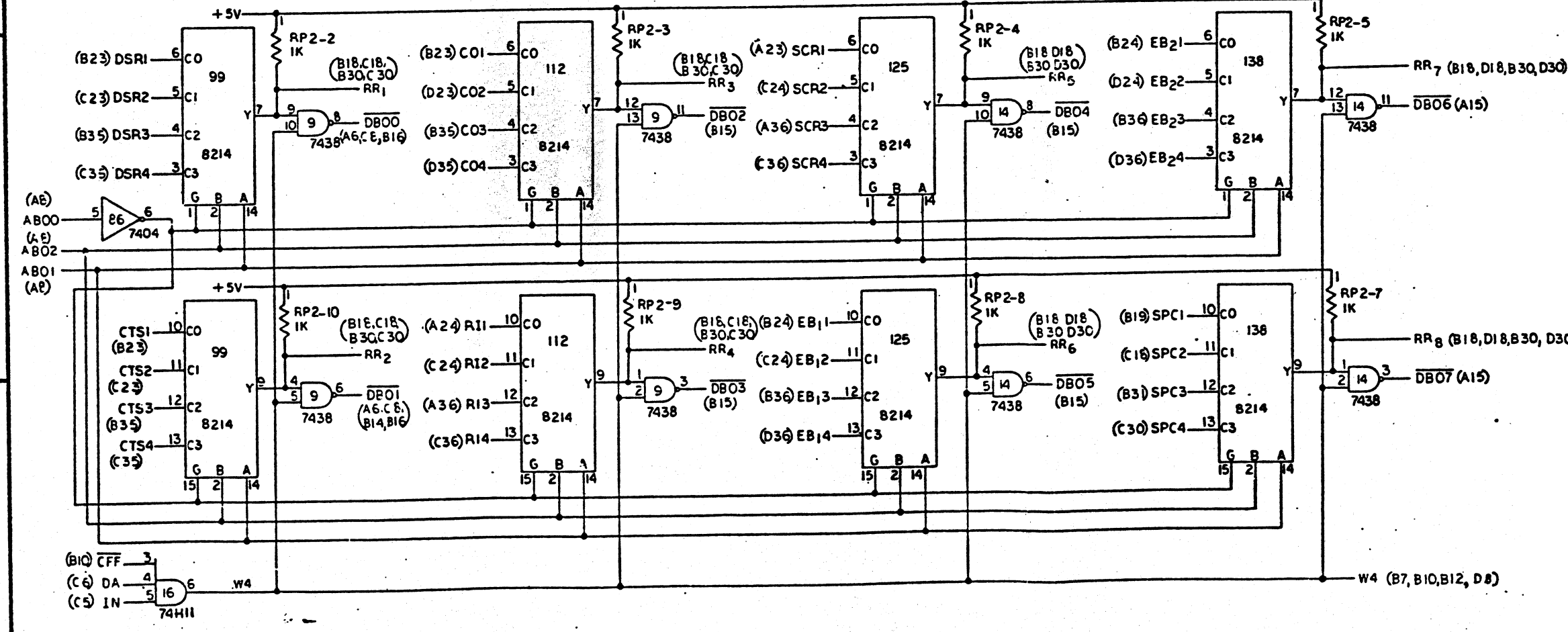
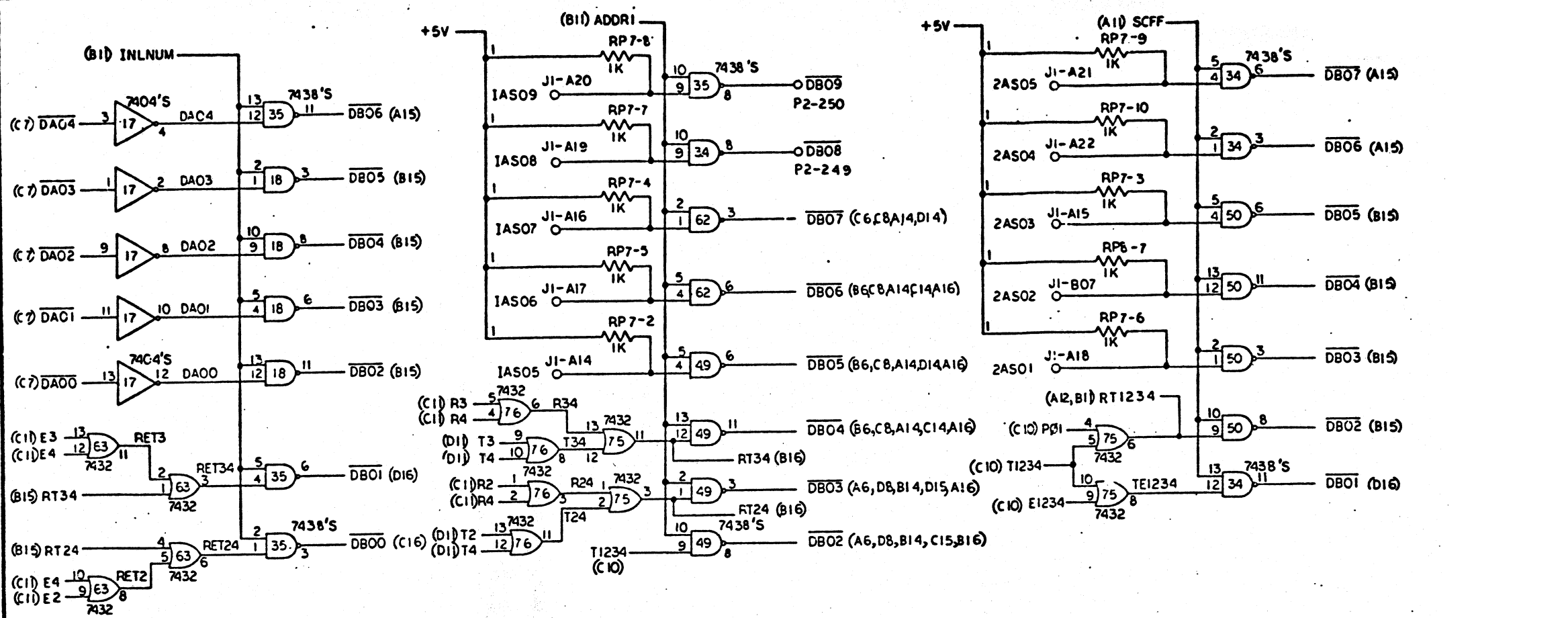
1



SIZE	D	75-53512-XX	REV	321
SCALE	=		SMT	3 OF 1



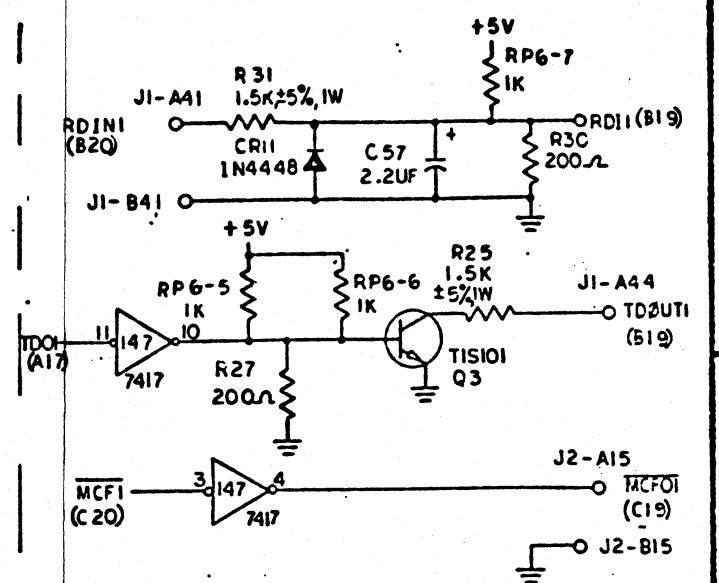
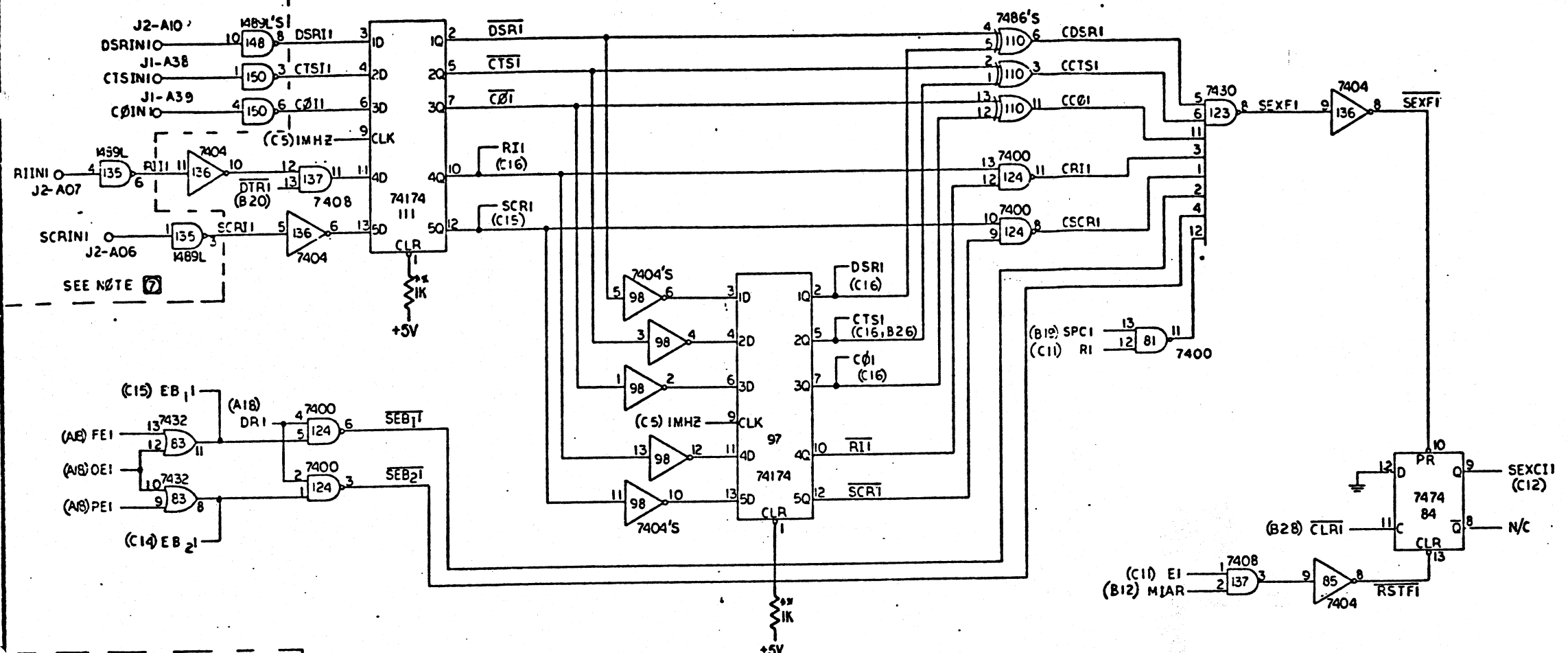
REVISIONS		DATE	APPROVAL
STM	DESCRIPTION		



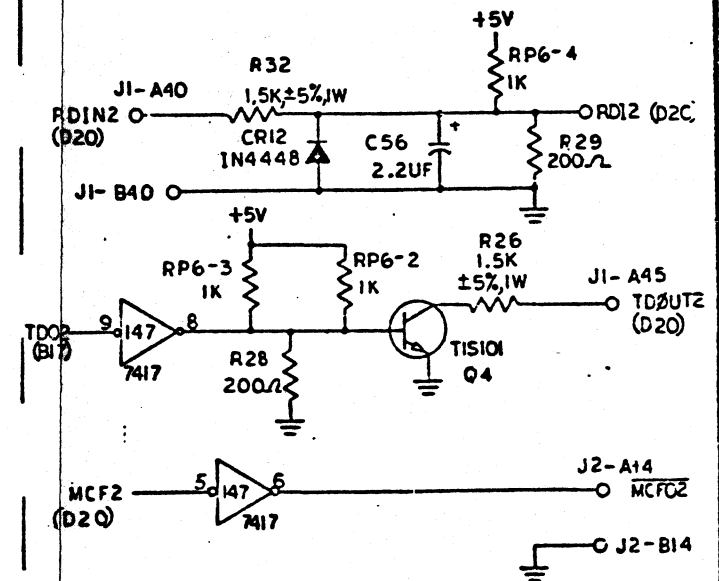
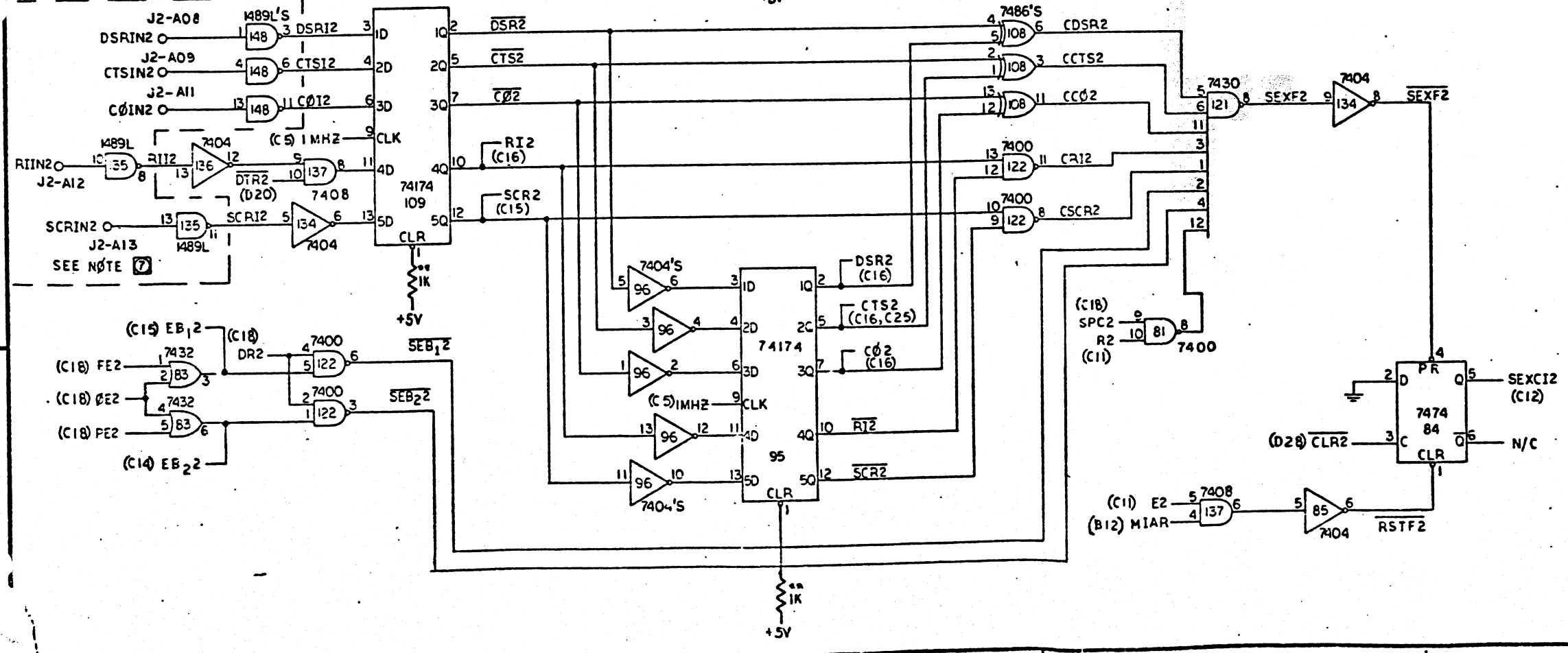
SIZE D	75-53512-XX	REV B2
SCALE =	SHT. 5 OF 1	



REVISIONS		
SYM	DESCRIPTION	DATE/APPRAV.

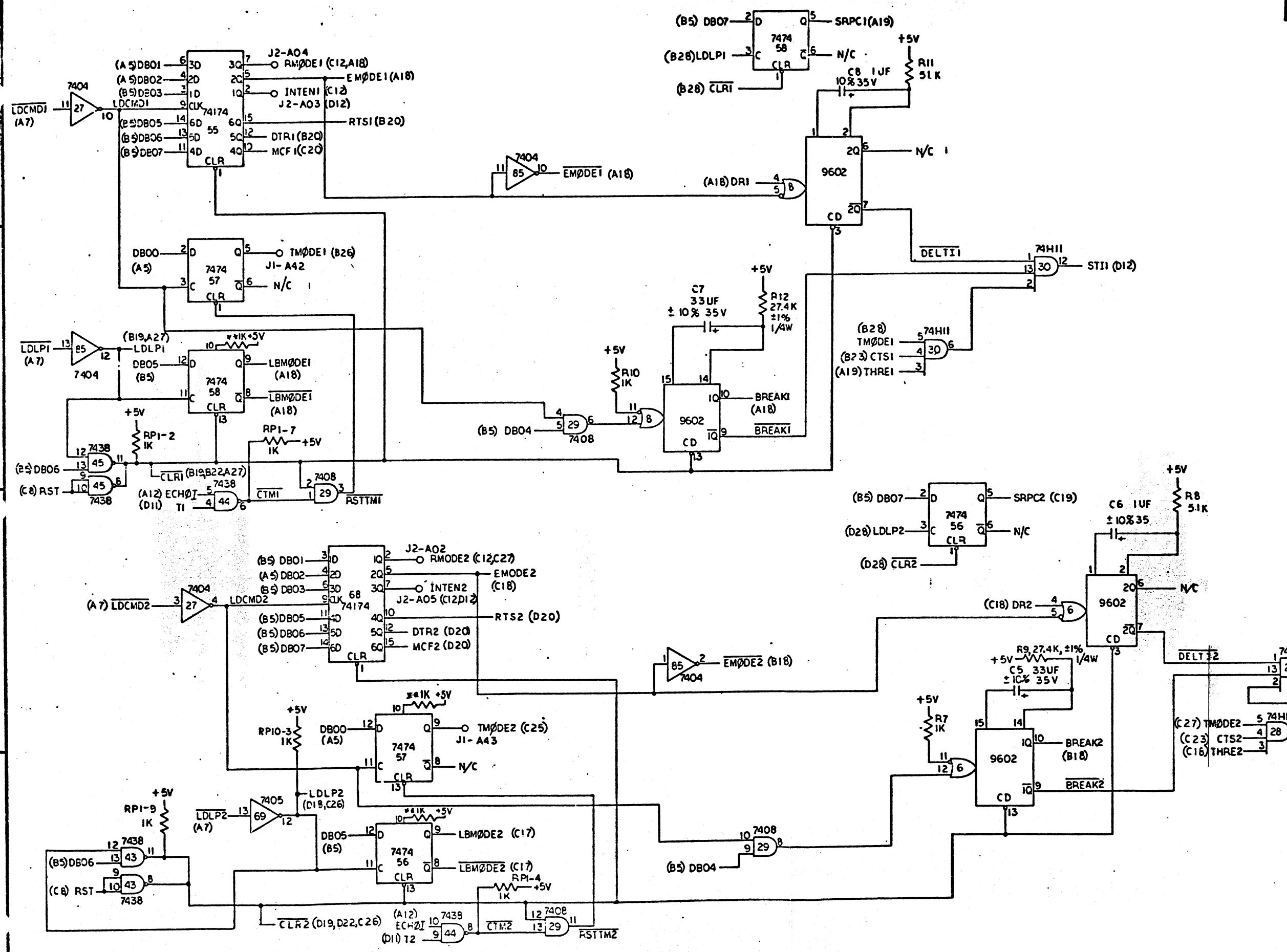


SEE NOTE 8



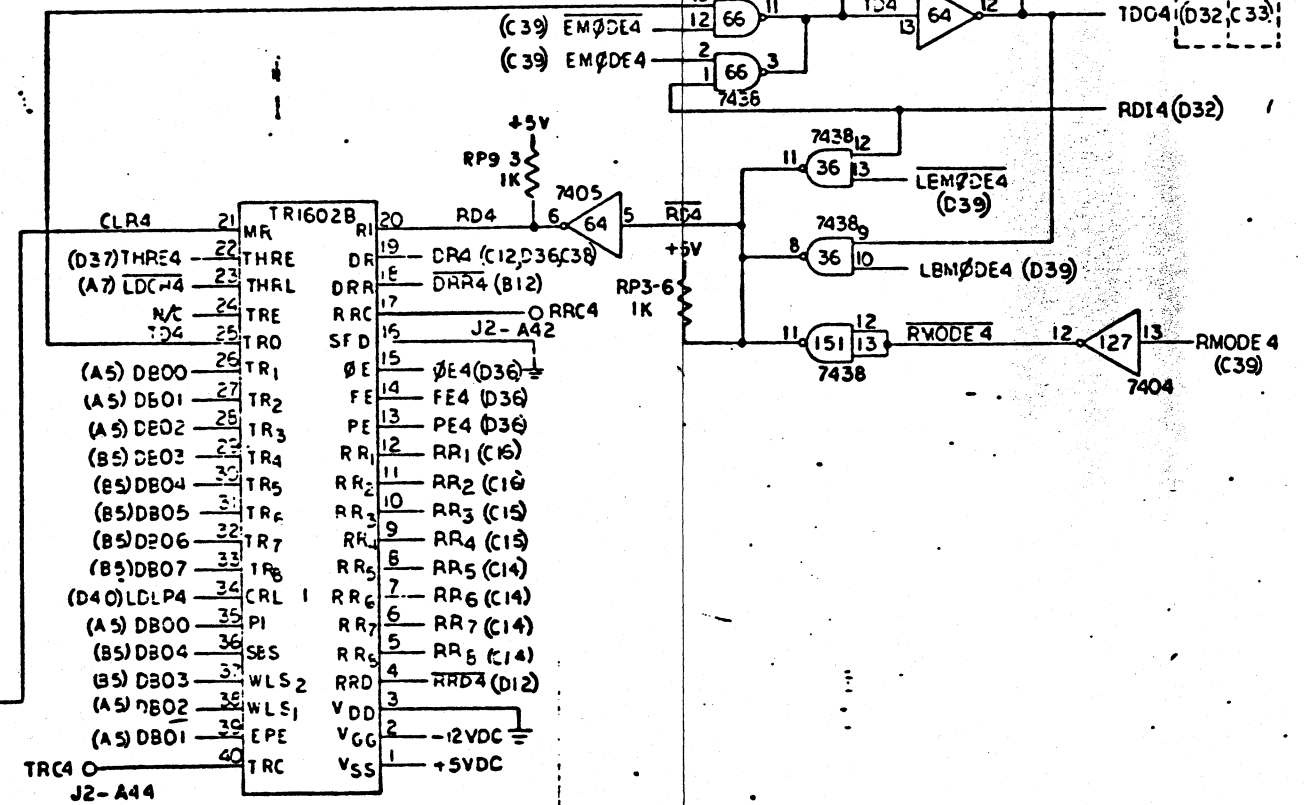
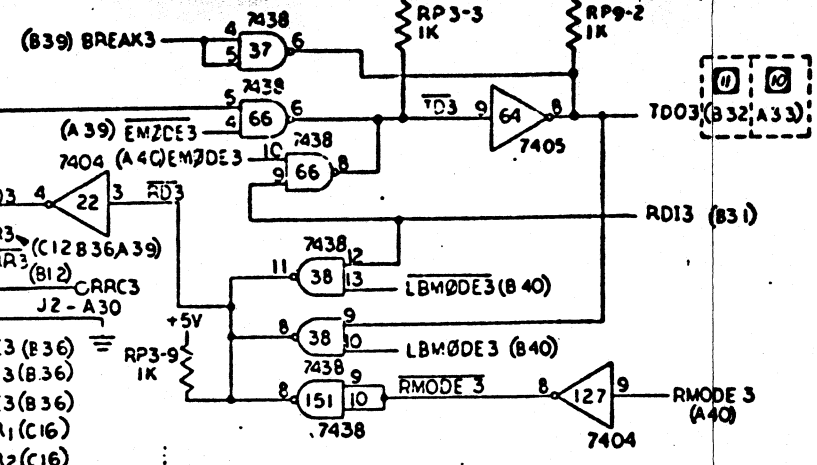
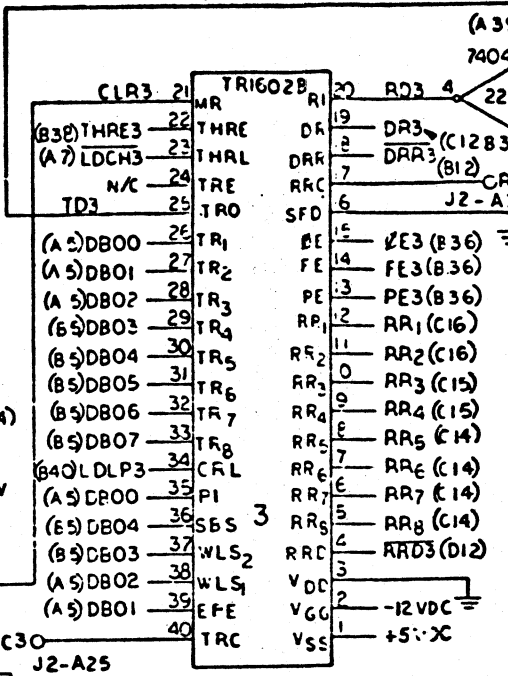
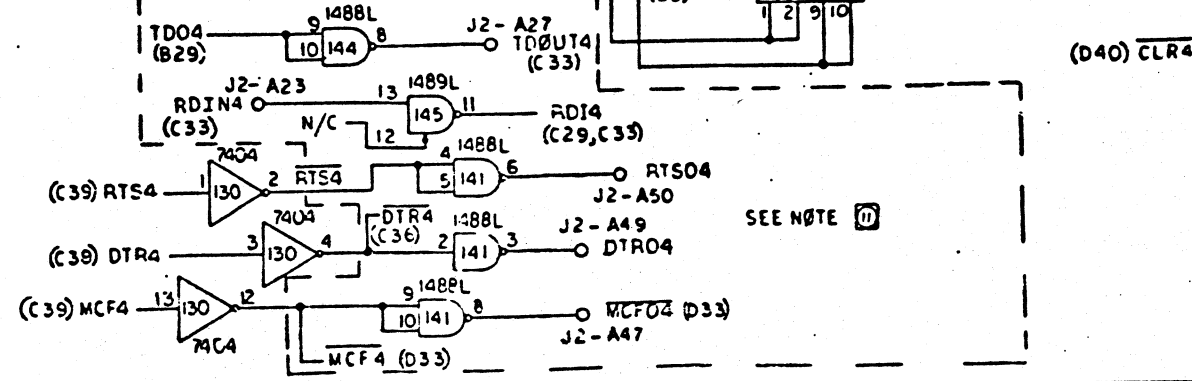
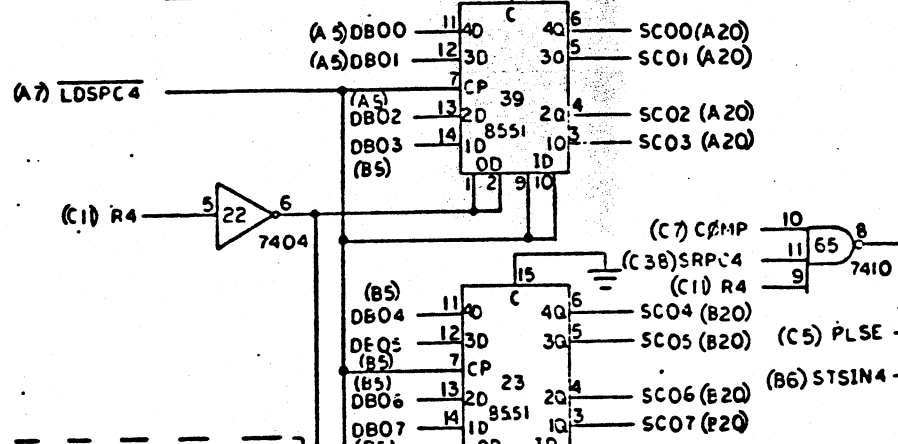
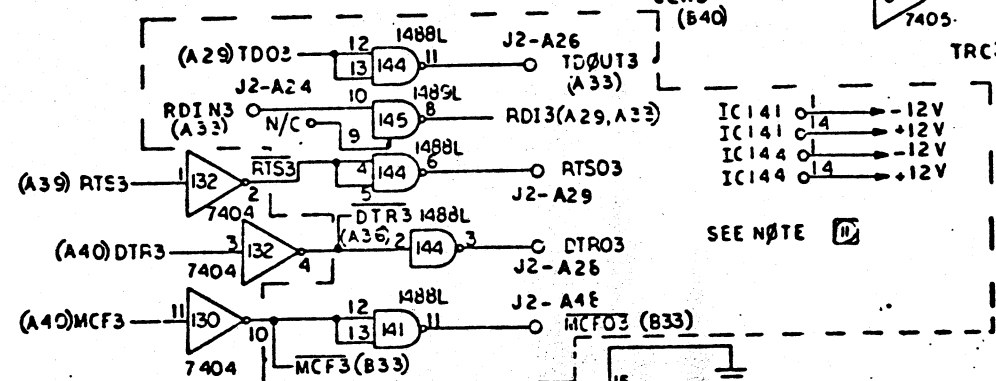
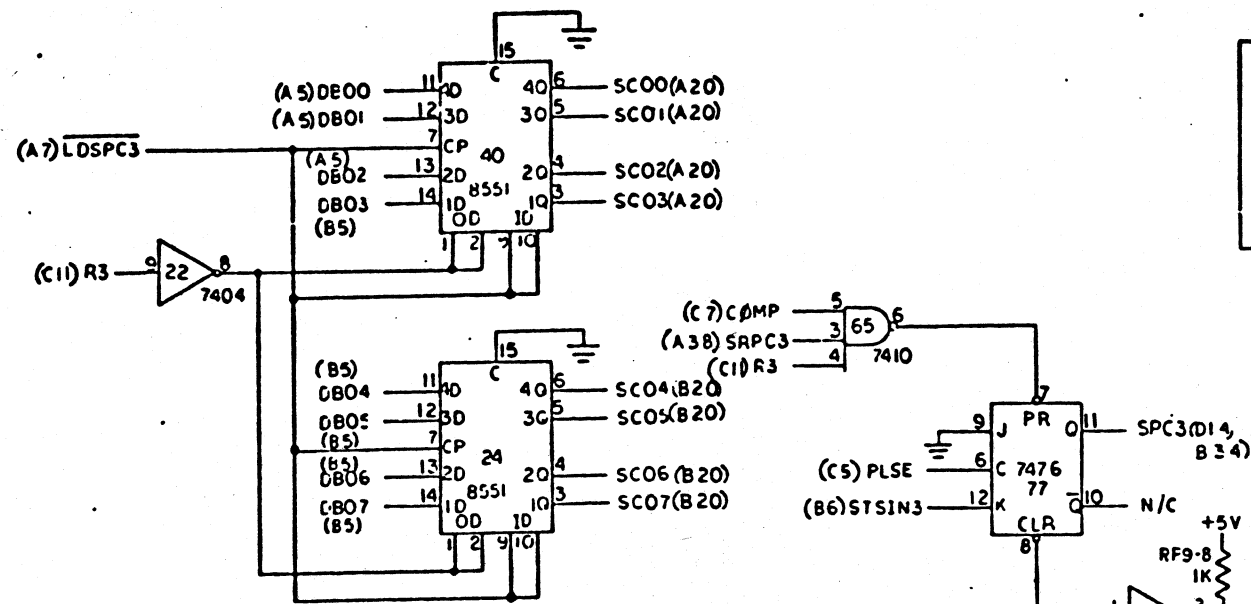
SIZE	75-63512-XX	REV	
D			
SCALE		SHT.	7 OF 1

REVISIONS		
SYM	DESCRIPTION	DATE/APPROVAL



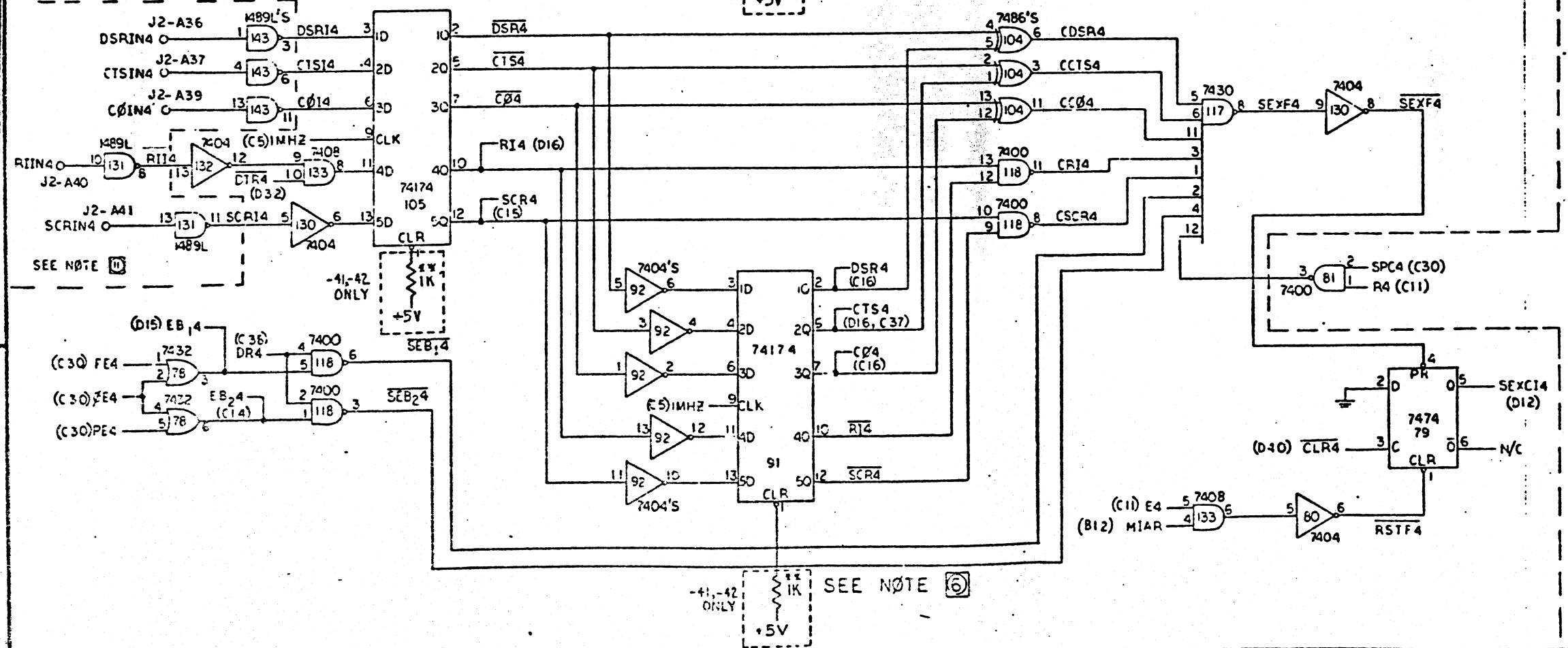
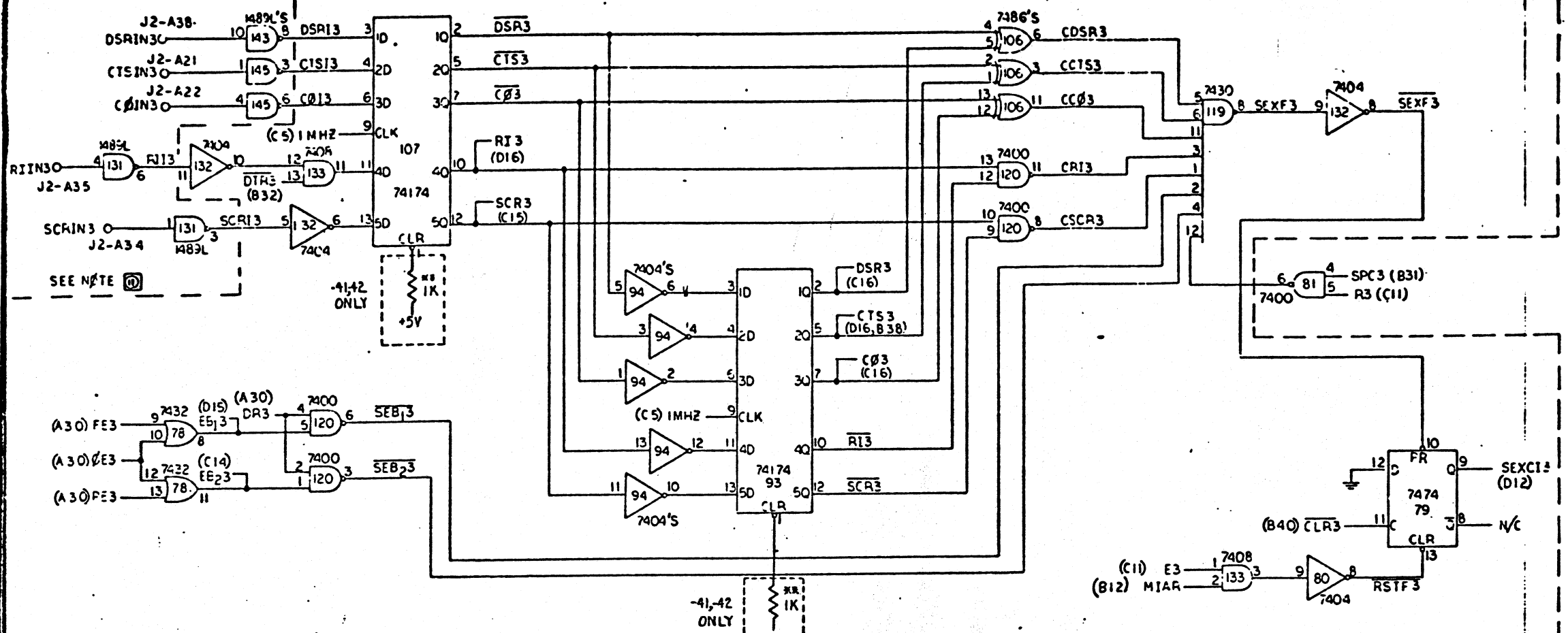
SIZE	D	75-53512-X X	REV	B27
SCALE	=		SMT.	8 OF



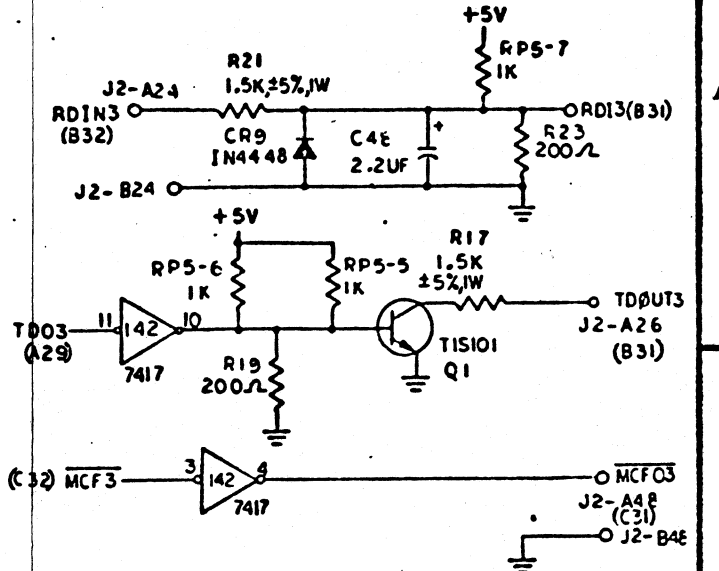


SEE NOTE 6

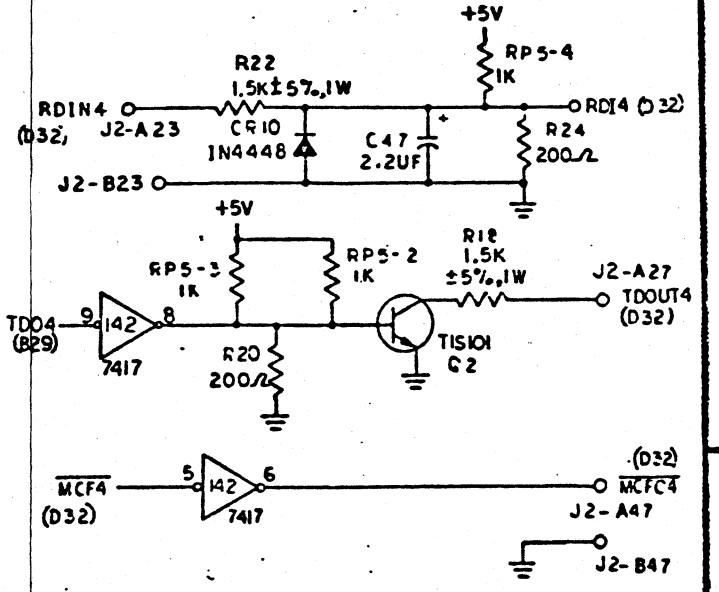
SIZE	D	75-53512-XX	REV	B27
SCALE			SHT.	9 OF 1



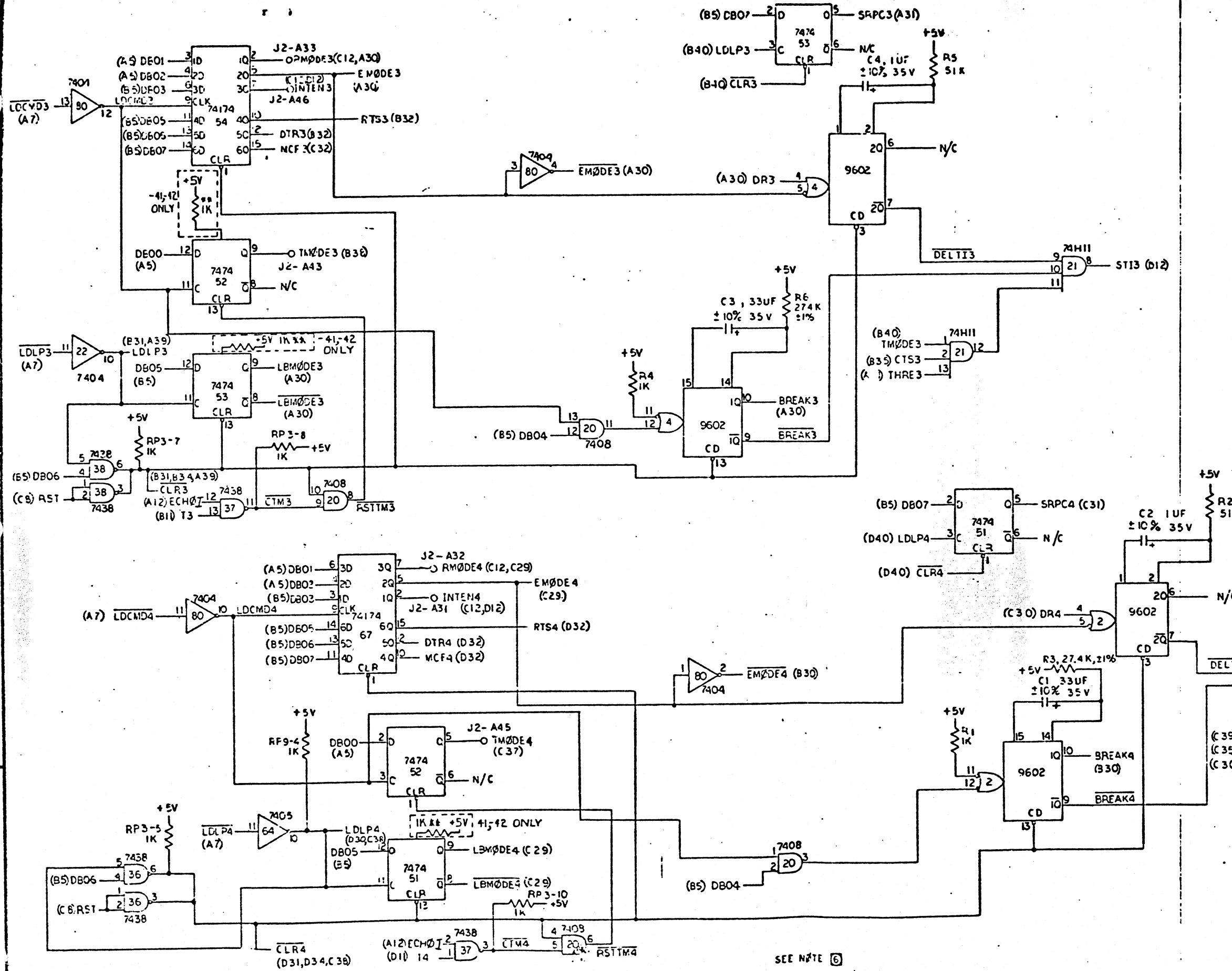
REV	DESCRIPTION	DATE	APPROVAL
-----	-------------	------	----------



SEE NOTE ⑩

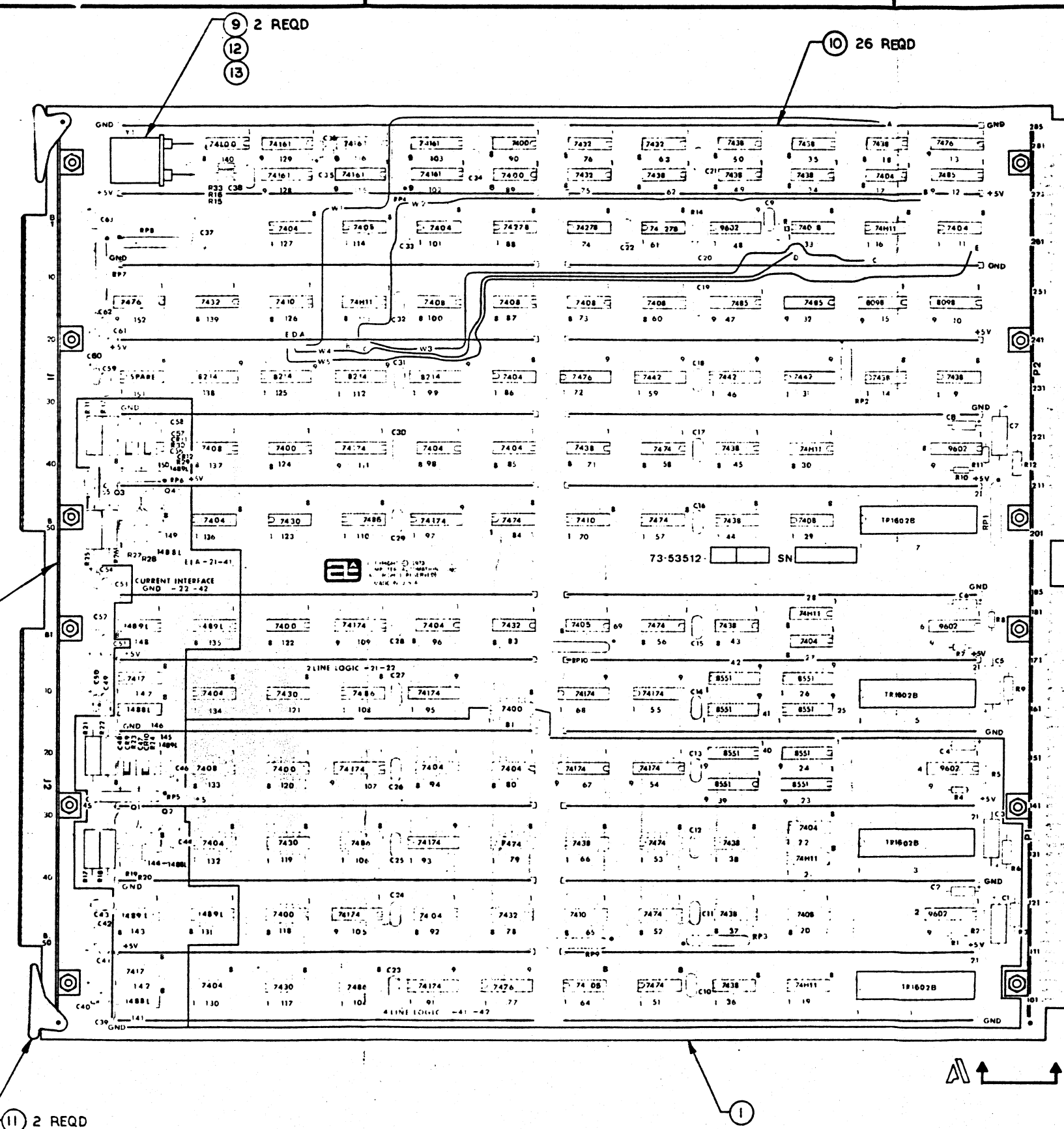


REV	D	75-53512-XX	REV
SCALE =		SMT. NO. OF 1	

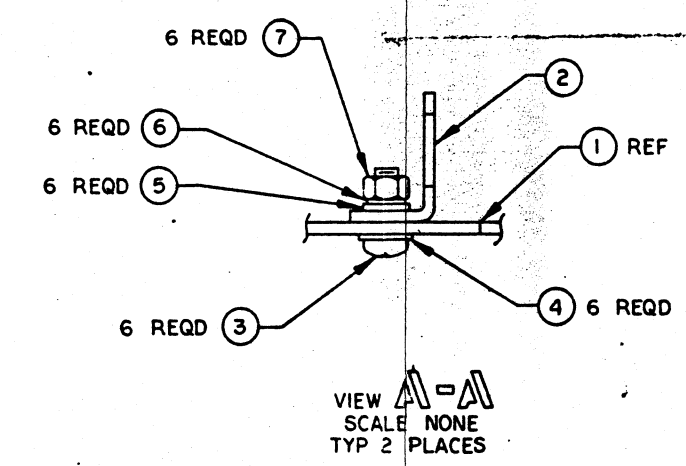


SIZE	D	75-53512-XX	REV	B27
SCALE	=		SNT.	/ OF 1

REVISIONS					
REV	DESCRIPTION	DR	CH	DATE	APPROVAL
BO	ENGINEERING RELEASE				
B2	PILOT RELEASE PER EAL 1594				



TAB BLOCK	
DASH NO.	B/M NO.
- 21	70-53512-21
- 22	70-53512-22
- 41	70-53512-41
- 42	70-53512-42



3. REF DESIGNATORS USED IN LIFU OF ITEM NUMBERS.  
 2. ASSEMBLE AND SOLDER PER C.A.I WORKMANSHIP STANDARDS.  
 1. FOR ALL ITEM NO'S AND COMPONENT DESCRIPTIONS AND VALUES, SEE B/M NO. 70-53512- (REF TAB BLOCK).  
 NOTES: UNLESS OTHERWISE SPECIFIED

NOTES UNLESS SPECIFIED		DR:		COMPUTER AUTOMATION INC.	
1. TOLERANCES	.XX .03	PHR:		TITLE	
	ANGULAR .010	BSL:		ASSEMBLY, PRINTED WIRING-ASYNCHRONOUS MODEM MULTIPLEXER	
2. BREAK ALL SHARP EDGES .010 APPROX.		TRGR:		SIZE DWG NO	
3. ALL DIM. IN INCHES				D 73-53512-XX B2	
DASHING	NEXT ASSEMBLY			DATE 1/7/73	
				SHEET 1/1	

DRAWING NO. 73-53512-XX B2