

THE INFORMATION CONTAINED HEREON IS THE PROPERTY OF ABLE COMPUTER TECHNOLOGY, INC. TRANSMITTAL, RECEIPT OR POSSESSION OF THE INFORMATION DOES NOT EXPRESS, LICENSE, OR IMPLY ANY RIGHTS TO USE, SELL, OR MANUFACTURE FROM THIS INFORMATION AND NO REPRODUCTION OR PUBLICATION OF IT, IN WHOLE OR IN PART, SHALL BE MADE WITHOUT WRITTEN AUTHORIZATION FROM AN OFFICER OF THE ABOVE FIRM.

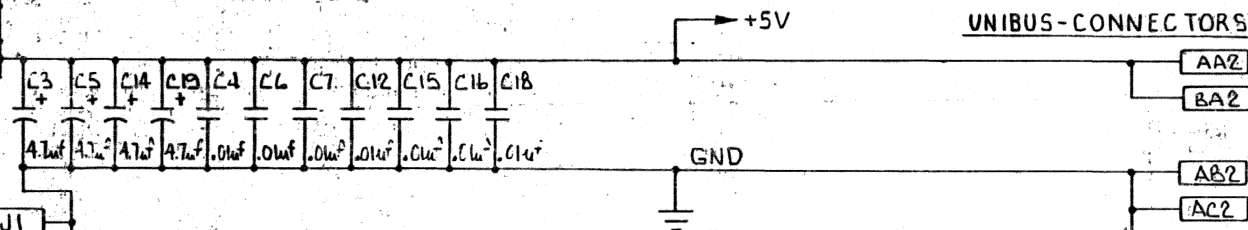
REF. ONLY

REVISIONS			
LTR	DESCRIPTION	DATE	APPROVED
B	PRODUCTION REL. PER E.O. 00135	10-25-79	<i>JRT</i>
E	INC. PER E.O. 00147	1-17-80	<i>JRT</i>
K	INC. PER E.O. 00517	15 MAR 82	<i>JRT</i>
N	INC. PER E.O. 01305	1/21/83	<i>JRT</i>
S	INCORPORATE PER E.O. 01740	29 SEP 83	<i>JRT</i>

Q-BUS CONNECTORS

- AA2
- BA2
- BV1
- CA2
- DA2
- DV1

- AC2 - AJ1
- AM1 - AT1
- BC2 - BJ1
- BM1 - BT1
- CC2 - CJ1
- CM1 - CT1
- DC2 - DJ1
- DM1 - DT1



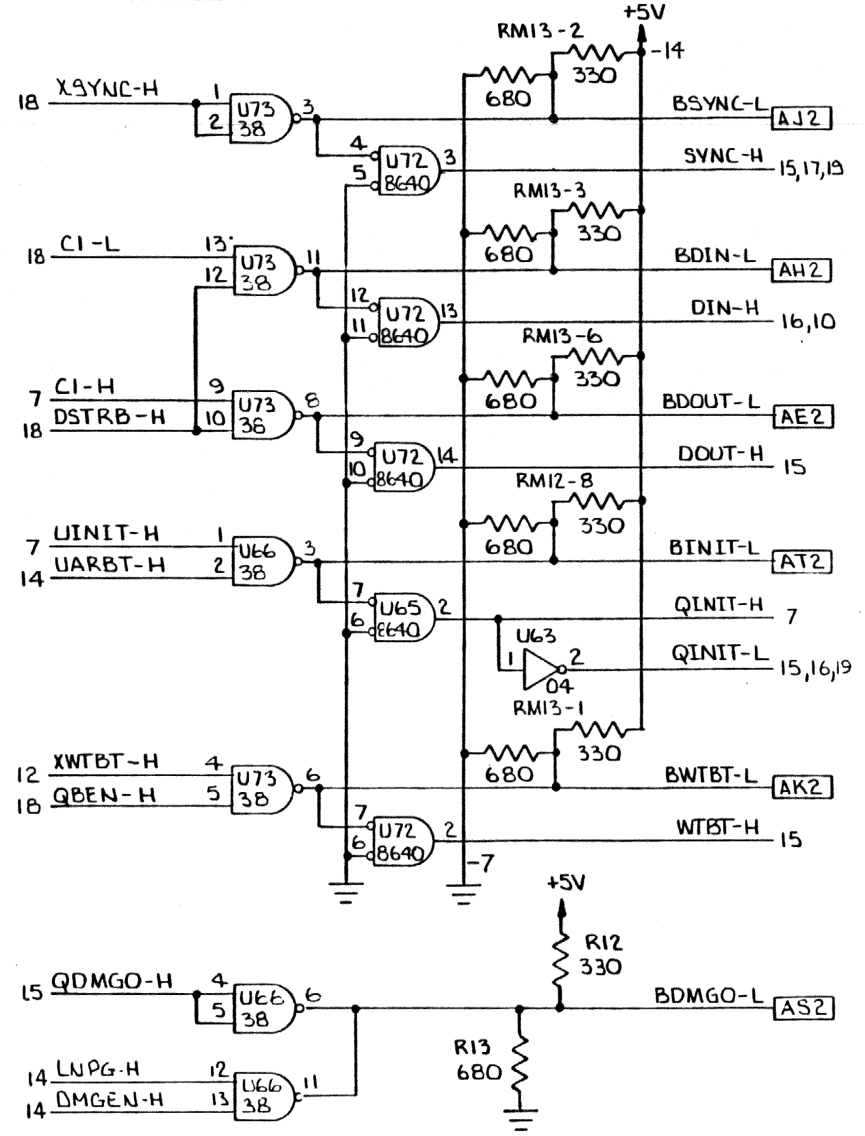
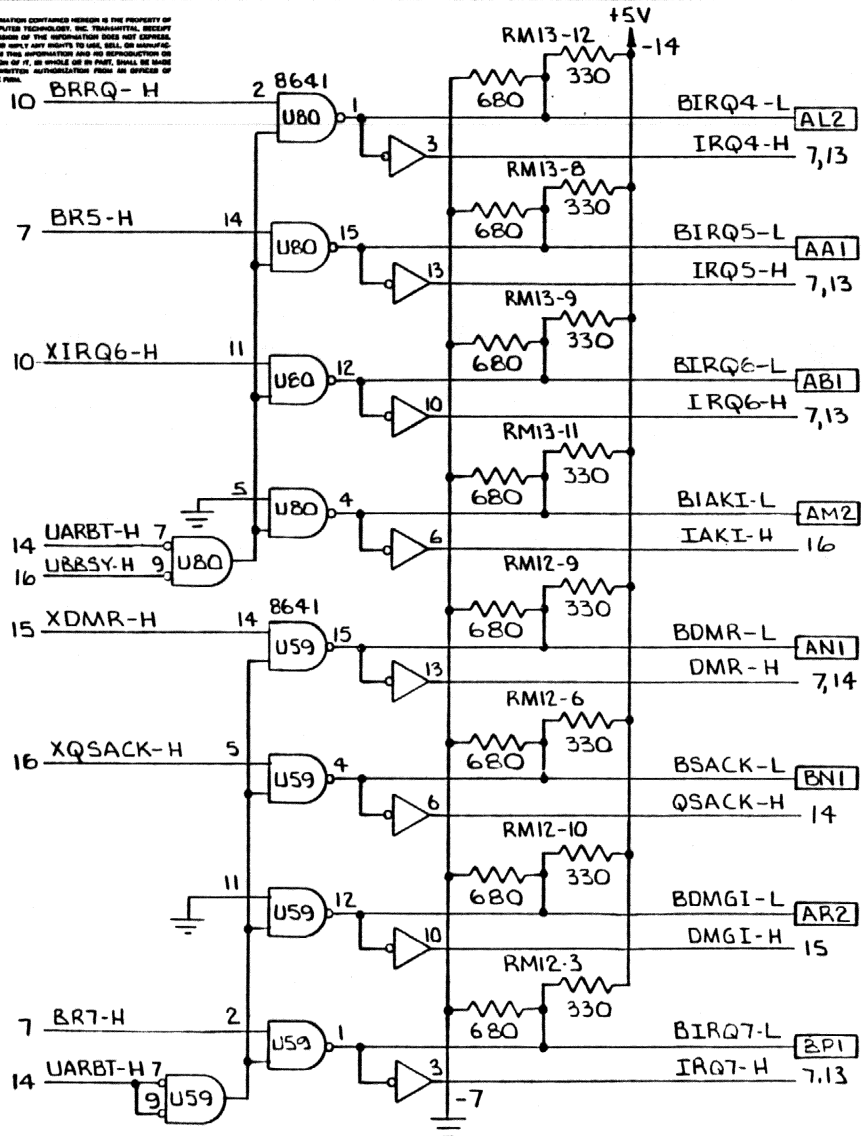
5. +5V IS CONNECTED TO: U1-16, U2-16, U3-14, U4-14, U5-16, U6-16, U7-14, U8-14, U9-16, U10-16, U11-8, U12-14, U13-14, U14-16, U15-14, U16-14, U17-16, U19-14, U20-14, U21-16, U22-16, U23-14, U24-5, U25-16, U26-16, U27-5, U28-5, U29-16, U30-16, U31-5, U32-5, U33-14, U34-14, U35-14, U36-16, U37-16, U38-16, U40-14, U41-14, U42-14, U43-16, U44-16, U45-16, U46-16, U47-14, U48-14, U49-14, U50-14, U51-14, U52-14, U53-16, U54-14, U55-14, U56-14, U57-14, U58-14, U59-16, U61-16, U62-14, U63-14, U64-14, U65-8, U66-14, U67-14, U68-14, U69-14, U70-14, U71-14, U72-8, U73-14, U74-16, U75-16, U76-14, U77-14, U78-14, U79-14, U80-16.
4. GND IS CONNECTED TO: U1-8, U2-8, U3-7, U4-7, U5-8, U6-8, U7-7, U8-7, U9-8, U10-8, U11-1, U12-7, U13-7, U14-8, U15-7, U16-7, U17-8, U19-7, U20-7, U21-8, U22-8, U23-7, U24-12, U25-8, U26-8, U27-12, U28-12, U29-8, U30-8, U31-12, U32-12, U33-7, U34-7, U35-7, U36-8, U37-8, U38-8, U40-7, U41-7, U42-7, U43-8, U44-8, U45-8, U46-8, U47-7, U48-7, U49-7, U50-7, U51-7, U52-7, U53-8, U54-7, U55-7, U56-7, U57-7, U58-7, U59-8, U61-8, U62-7, U63-7, U64-7, U65-1, U66-7, U67-7, U68-7, U69-7, U70-7, U71-7, U72-1, U73-7, U74-8, U75-8, U76-7, U77-7, U78-7, U79-7, U80-8.
3. ALL CAPACITORS ARE IN PF.
2. RMS. 11, 12 & 13 ARE SOCKET MOUNTED & REMOVEABLE.
1. ALL RESISTORS ARE 1/4W, 5%.

NOTES: UNLESS OTHERWISE SPECIFIED.

TOLERANCES UNLESS OTHERWISE SPECIFIED FRACTIONS DEC ANGLES		ABLE COMPUTER TECHNOLOGY	
<p>APPROVALS</p> <p>DATE</p> <p>DRAWN <i>JRT</i> 7/19/79</p> <p>CHECKED <i>JRT</i> 9/2/80</p>			
<p>SCALE</p> <p>SIZE B</p> <p>DRAWING NO. 10067003</p>		<p>DO NOT SCALE DRAWING</p> <p>SHEET 1 OF 19</p>	

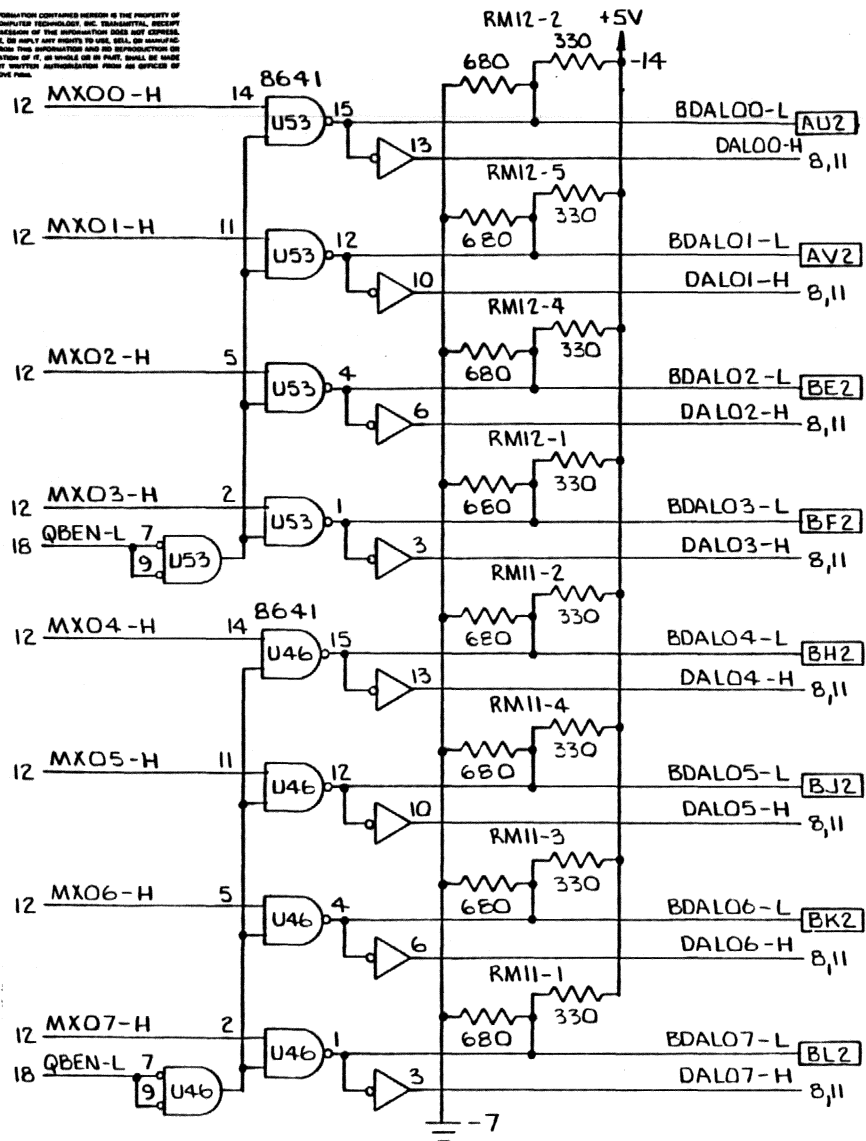
Able Computer Systems
D635 32125

THE INFORMATION CONTAINED HEREIN IS THE PROPERTY OF
 AND COMPUTER TECHNOLOGY, INC. TRANSMISSION, REPRODUCTION,
 OR ANY RIGHTS TO USE, SHALL BE LIMITED TO THE ORIGINAL
 FROM THIS INFORMATION AND NO REPRODUCTION OR
 PUBLICATION OF IT, IN WHOLE OR IN PART, SHALL BE MADE
 WITHOUT WRITTEN AUTHORIZATION FROM AN OFFICER OF
 THE ABOVE FIRM.

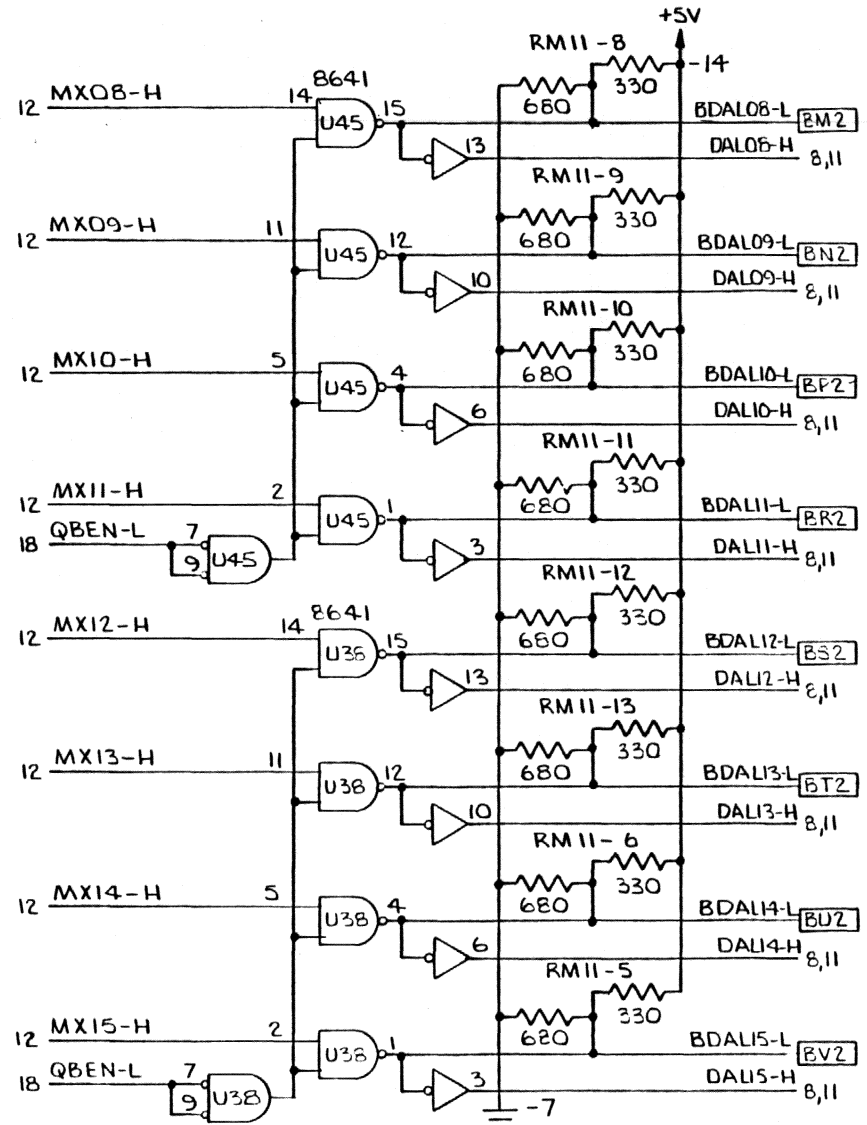


SCALE	SIZE	DRAWING NO.
	B	10067003
DO NOT SCALE DRAWING		SHEET 4 OF 19

THE INFORMATION CONTAINED HEREIN IS THE PROPERTY OF
 IBM CORPORATION. IT IS LOANED TO YOU BY THE UNITED STATES GOVERNMENT.
 IT IS TO BE USED ONLY FOR THE PURPOSES AUTHORIZED BY THE CONTRACT.
 IT IS TO BE RETURNED TO THE OFFICE OF ORIGIN AT THE END OF THE LOAN PERIOD.
 NO PART OF THIS INFORMATION IS TO BE REPRODUCED OR TRANSMITTED IN ANY FORM OR BY ANY MEANS, ELECTRONIC OR MECHANICAL, INCLUDING PHOTOCOPYING, RECORDING, OR BY ANY INFORMATION STORAGE AND RETRIEVAL SYSTEM, WITHOUT PERMISSION IN WRITING FROM THE UNITED STATES GOVERNMENT.



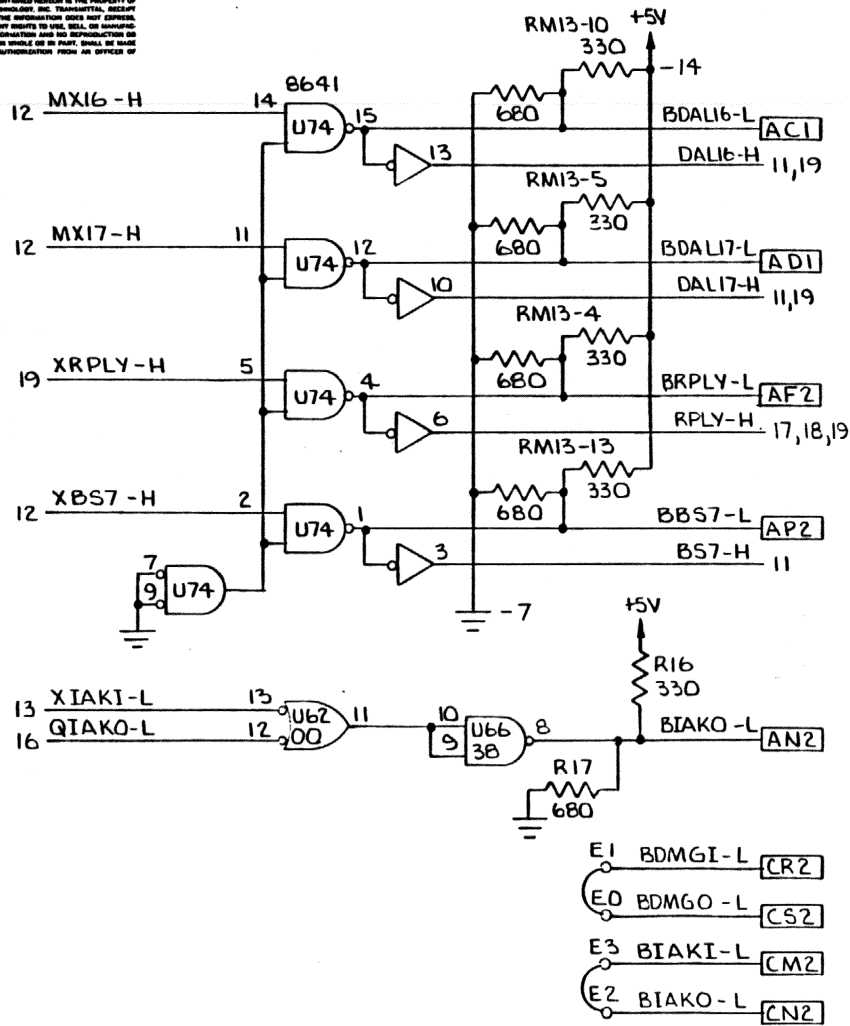
LOW BYTE - Q BUS TRANSCEIVERS



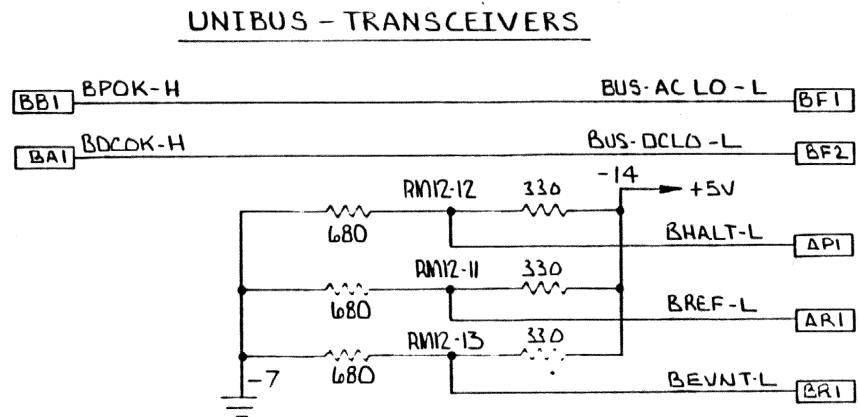
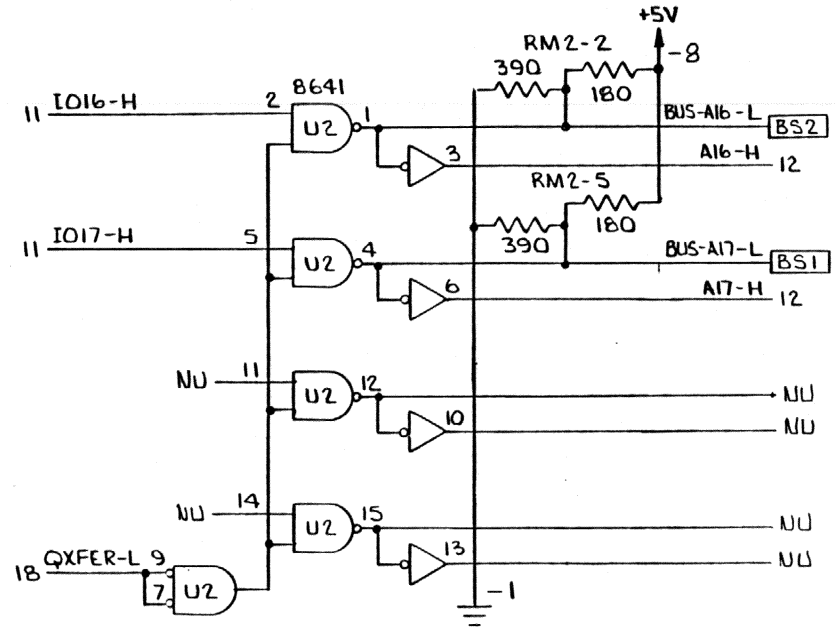
UPPER BYTE -
 Q BUS TRANSCEIVERS

SCALE	SIZE	DRAWING NO.
	B	10067003
DO NOT SCALE DRAWING		SHEET 5 OF 19

THE INFORMATION CONTAINED HEREON IS THE PROPERTY OF AIRS CORPORATION TECHNOLOGY AND TRANSMITTAL. RECEIPT OR POSSESSION OF THE INFORMATION DOES NOT CONSTITUTE, EXPRESS OR IMPLIED, ANY RIGHTS TO USE, REPRODUCE, DISSEMINATE, OR IN ANY MANNER, TO MAKE OR HAVE MADE, ANY REPRODUCTION OR PUBLICATION OF IT, IN WHOLE OR IN PART, SHALL BE MADE WITHOUT WRITTEN AUTHORIZATION FROM AN OFFICER OF THE ABOVE FIRM.

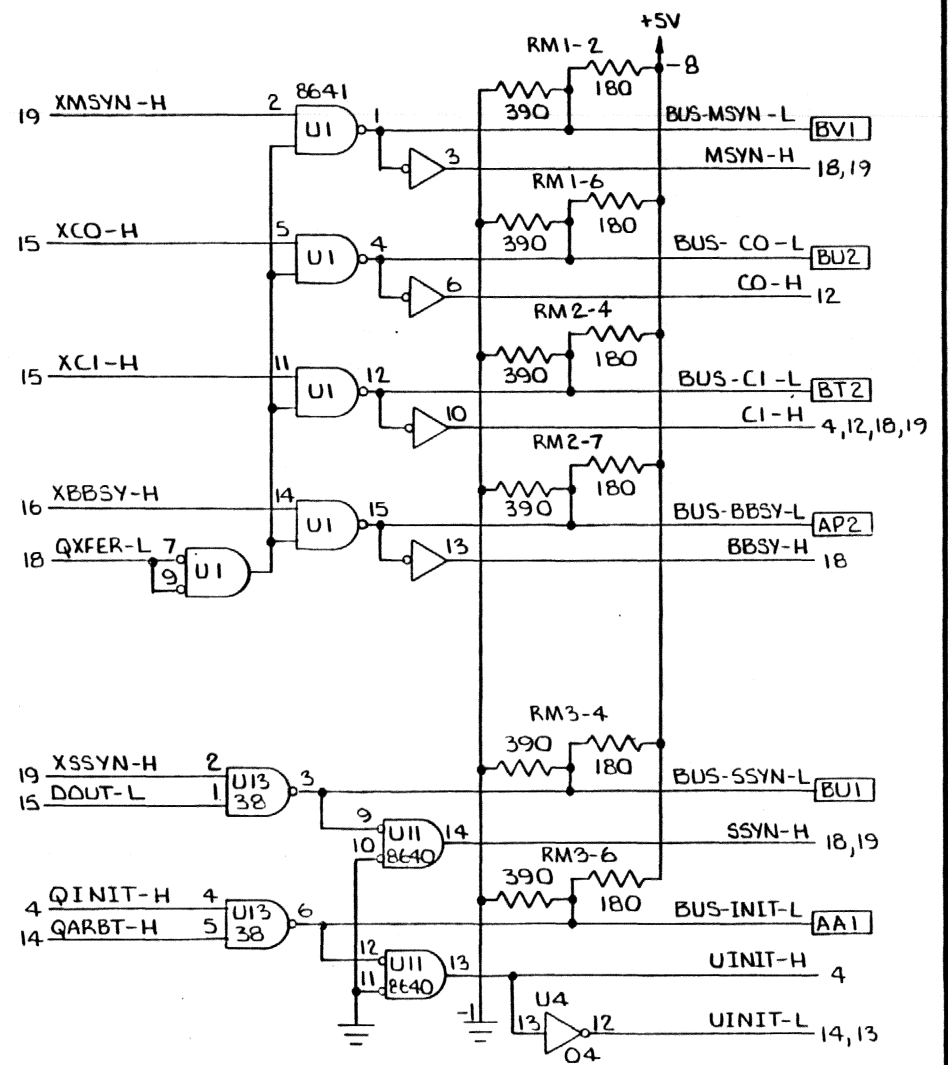
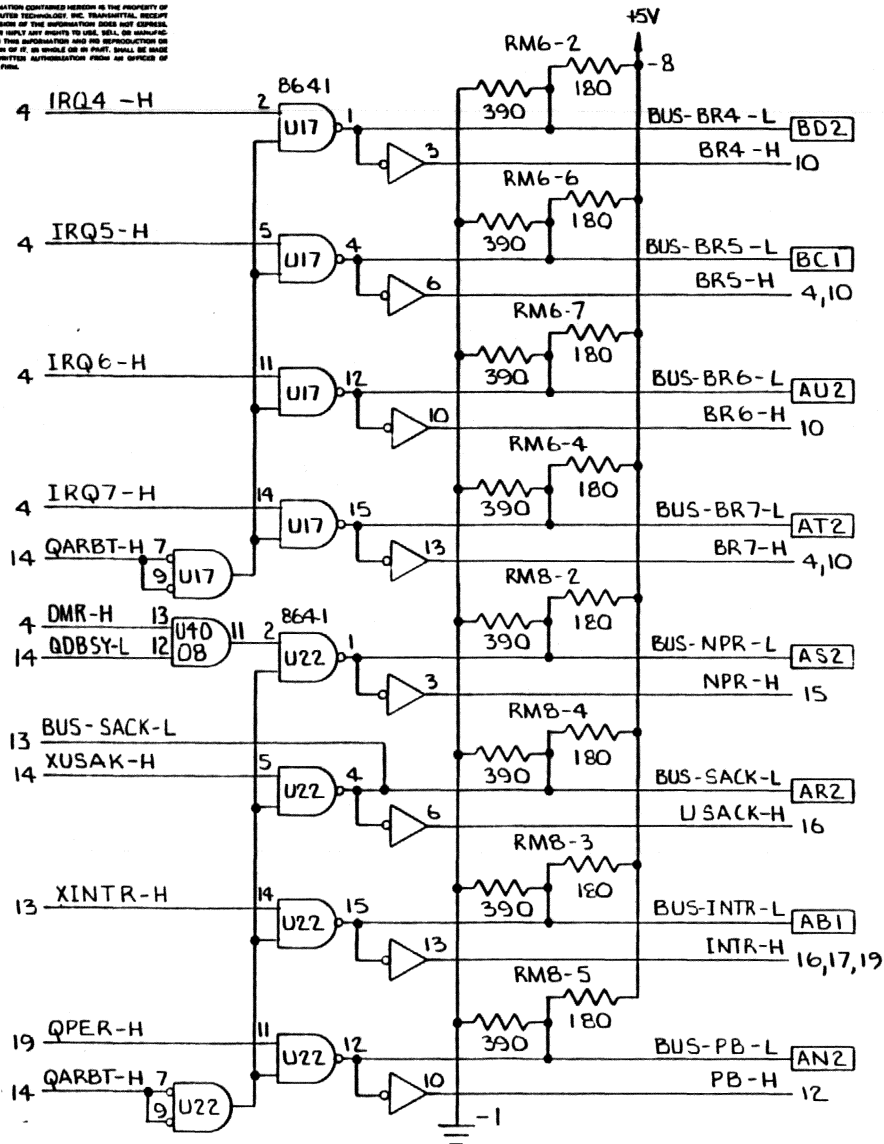


Q-BUS TRANSCEIVERS



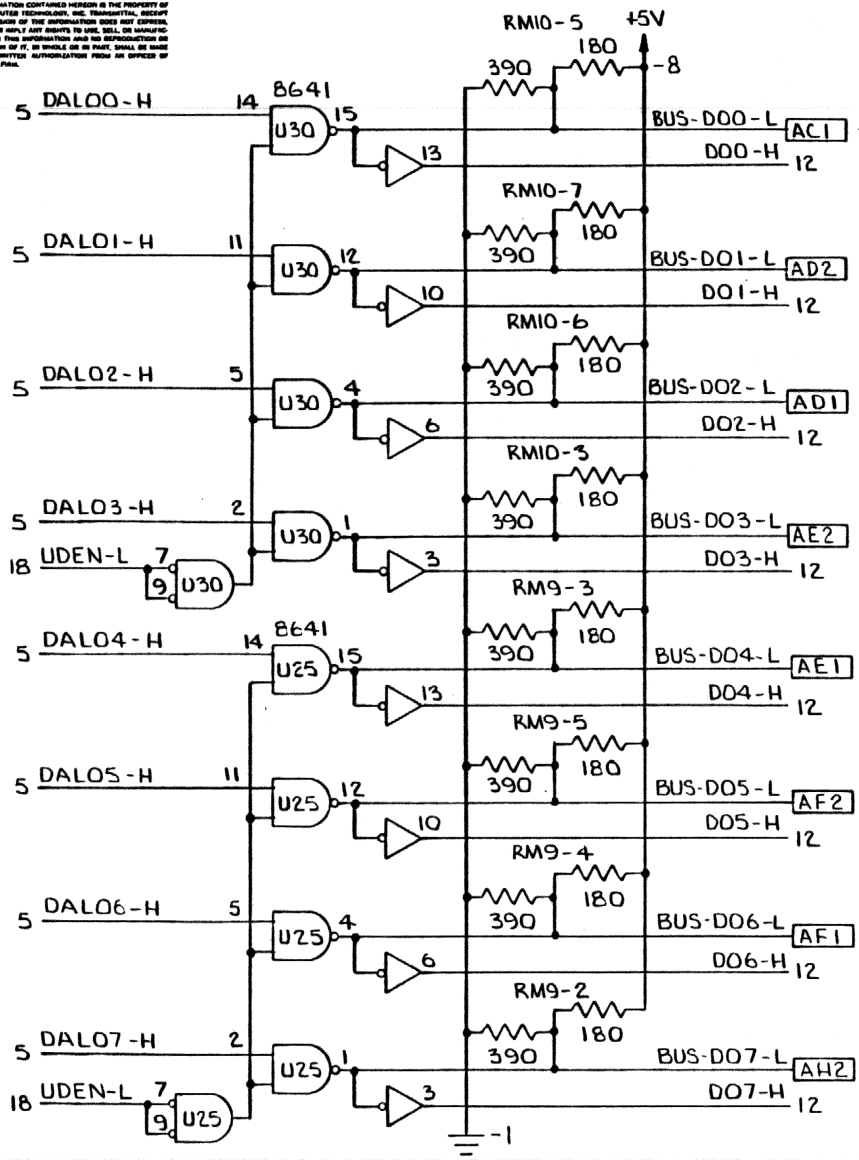
SCALE	SIZE	DRAWING NO.
	B	10067003
DO NOT SCALE DRAWING		SHEET 6 OF 19

THE INFORMATION CONTAINED HEREIN IS THE PROPERTY OF
 AILE COMPUTED TECHNOLOGY INC. TRANSMITTAL, REPRODUCTION
 OR PUBLICATION OF THIS INFORMATION IS PROHIBITED.
 LICENSE OR REPLY MAY BE MADE TO THE ISSUING OFFICE.
 REPRODUCTION OF THIS INFORMATION AND ITS REPRODUCTION OR
 PUBLICATION OF IT IN WHOLE OR IN PART, SHALL BE MADE
 WITHOUT WRITTEN AUTHORIZATION FROM AN OFFICE OF
 THE ABOVE FIRM.

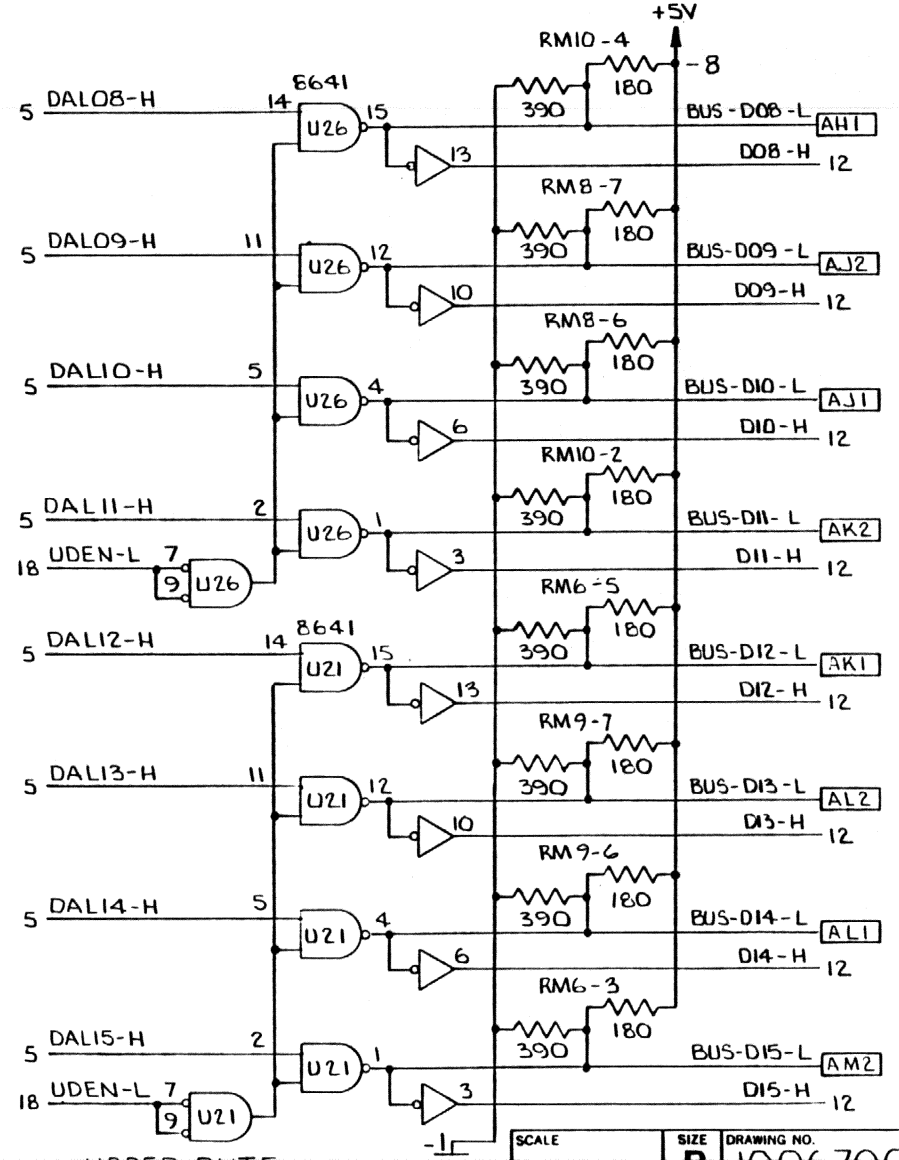


SCALE	SIZE	DRAWING NO.
	B	10067003
DO NOT SCALE DRAWING		SHEET 7 OF 19

THE INFORMATION CONTAINED HEREON IS THE PROPERTY OF
 ARBE COMPUTER TECHNOLOGY, INC. TRANSMITTAL, RECOPY
 OR MODIFICATION OF THE INFORMATION HEREON WITHOUT
 LICENSE, OR ANY RIGHTS TO USE, SELL, OR MANUFACTURE
 THERE FROM THIS INFORMATION AND ITS REPRODUCTION OR
 PUBLICATION OF IT, IN WHOLE OR IN PART, SHALL BE MADE
 WITHOUT WRITTEN AUTHORIZATION FROM AN OFFICE OF
 THE ABOVE FIRM.



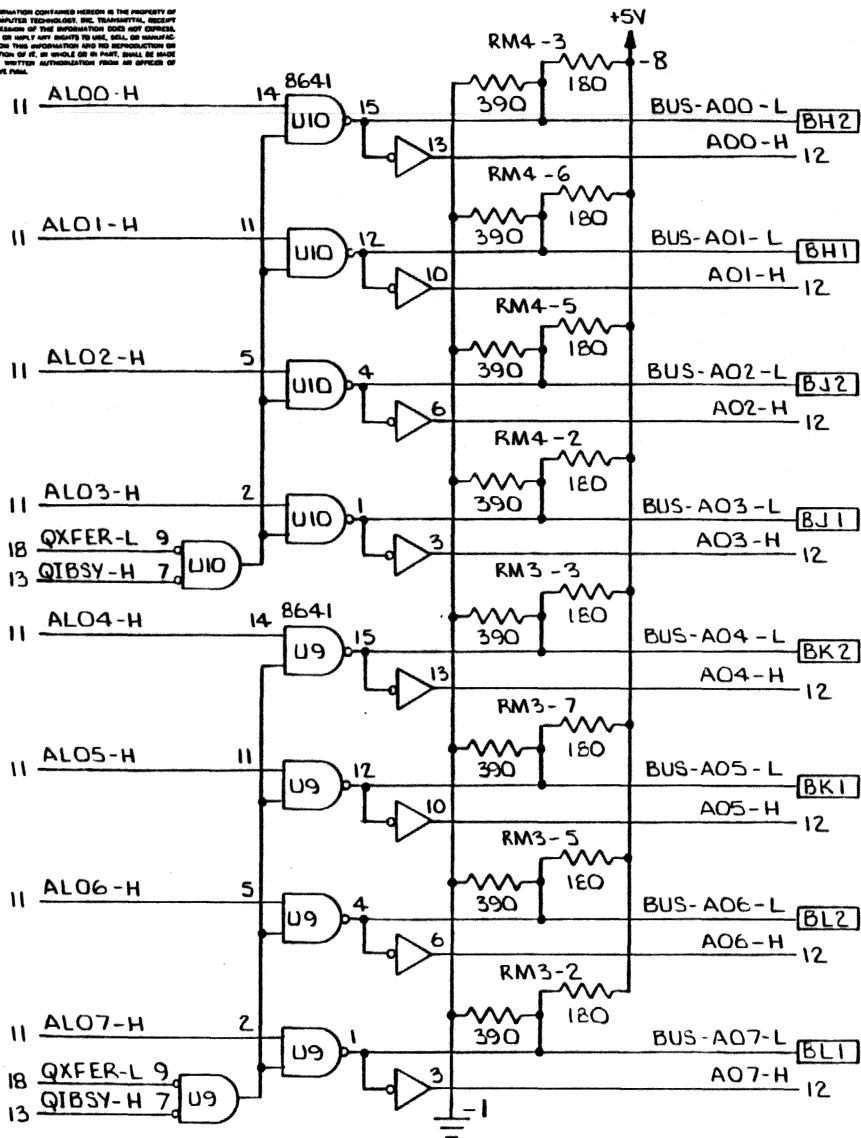
LOW BYTE - UNIBUS DATA TRANSCEIVERS



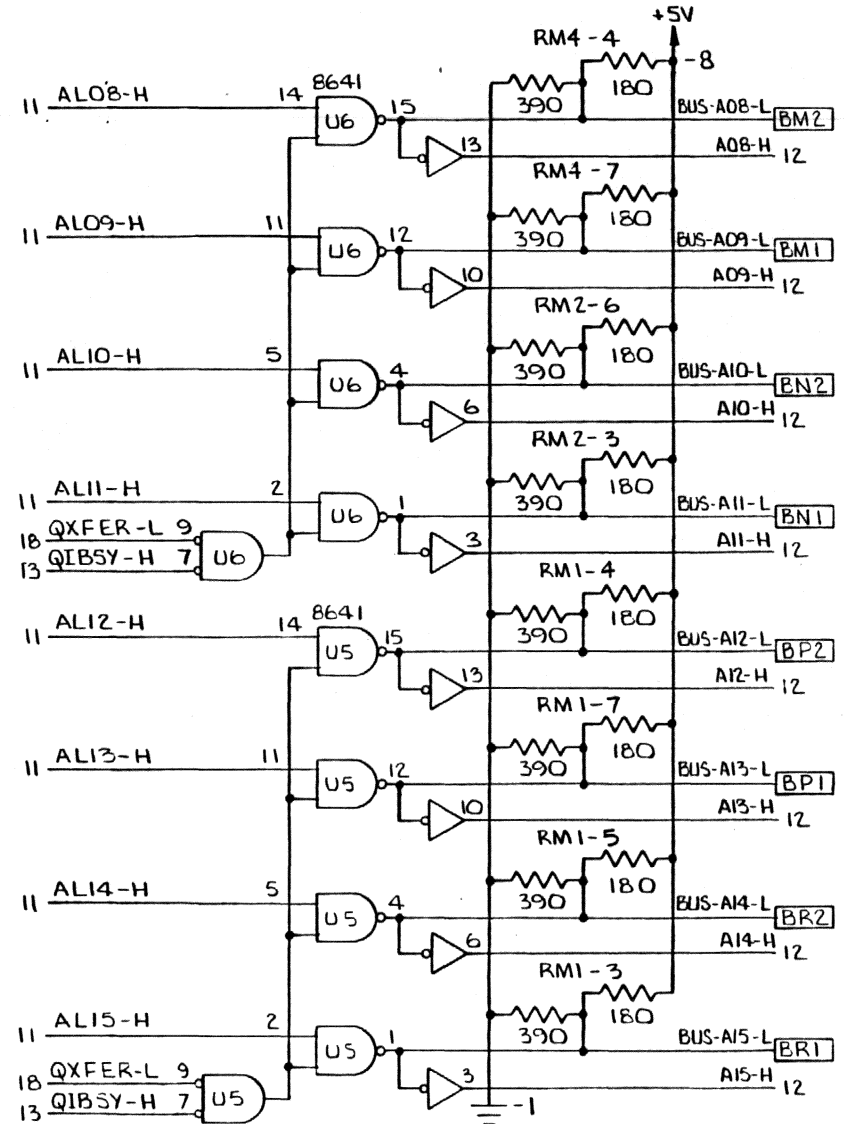
UPPER BYTE -
 UNIBUS DATA TRANSCEIVERS

SCALE	SIZE	DRAWING NO.
	B	10067003
DO NOT SCALE DRAWING		SHEET 2 OF 19

THE INFORMATION CONTAINED HEREIN IS THE PROPERTY OF
 ADL COMPUTER TECHNOLOGY, INC. TRANSMISSION, REPRODUCTION,
 OR FORNECATION OF THE INFORMATION DOES NOT EXPRESS
 LICENSE OR IMPLY ANY RIGHTS TO USE, SEAL, OR MANUFACTURE
 THERE FROM THIS INFORMATION AND THE REPRODUCTION OR
 PUBLICATION OF IT, IN WHOLE OR IN PART, SHALL BE MADE
 WITHOUT WRITTEN AUTHORIZATION FROM AN OFFICER OF
 THE ABOVE FIRM.



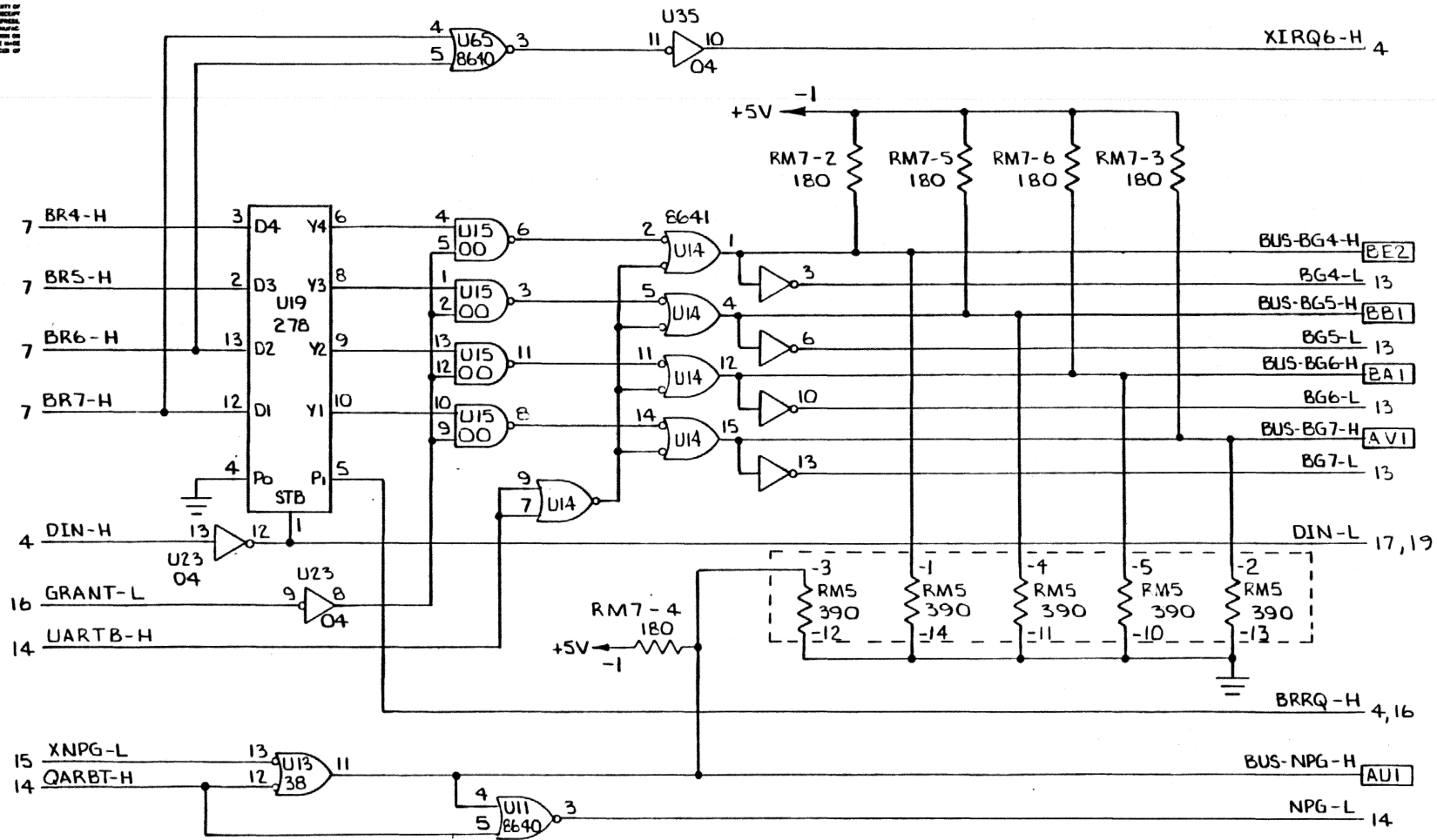
LOW BYTE - UNIBUS ADDRESS TRANSCEIVERS



HIGH BYTE - UNIBUS ADDRESS TRANSCEIVERS

SCALE	SIZE	DRAWING NO.
	B	10067003
DO NOT SCALE DRAWING		SHEET 3 OF 19

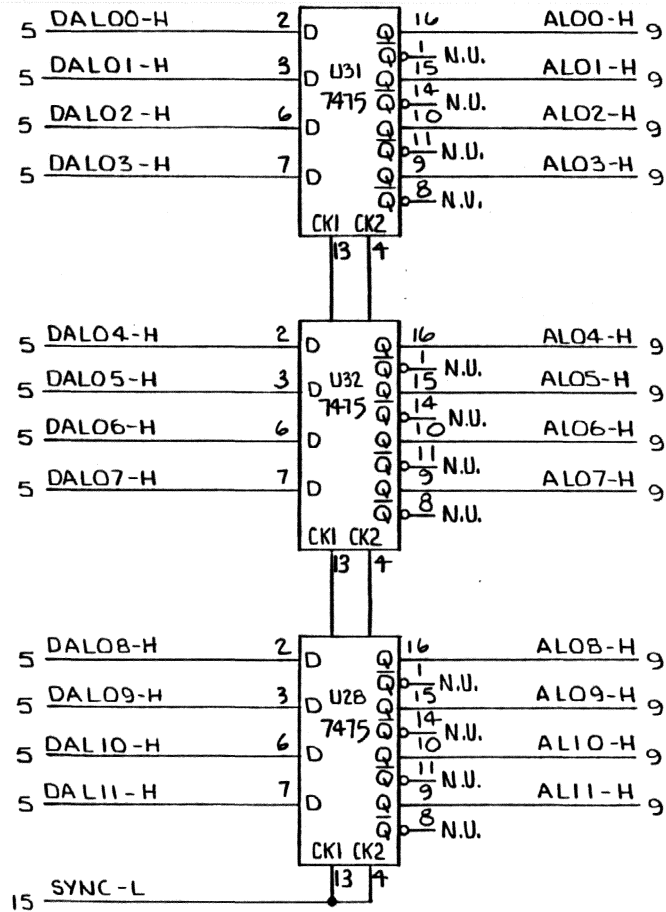
THE INFORMATION CONTAINED HEREIN IS THE PROPERTY OF
 IBM CORPORATION. IT IS LOANED TO YOU BY CONTRACT.
 IT IS NOT TO BE REPRODUCED OR TRANSMITTED IN ANY
 FORM OR BY ANY MEANS, ELECTRONIC, MECHANICAL,
 PHOTOCOPYING, RECORDING, OR BY ANY INFORMATION
 STORAGE AND RETRIEVAL SYSTEM, WITHOUT THE
 WRITTEN PERMISSION OF IBM CORPORATION.



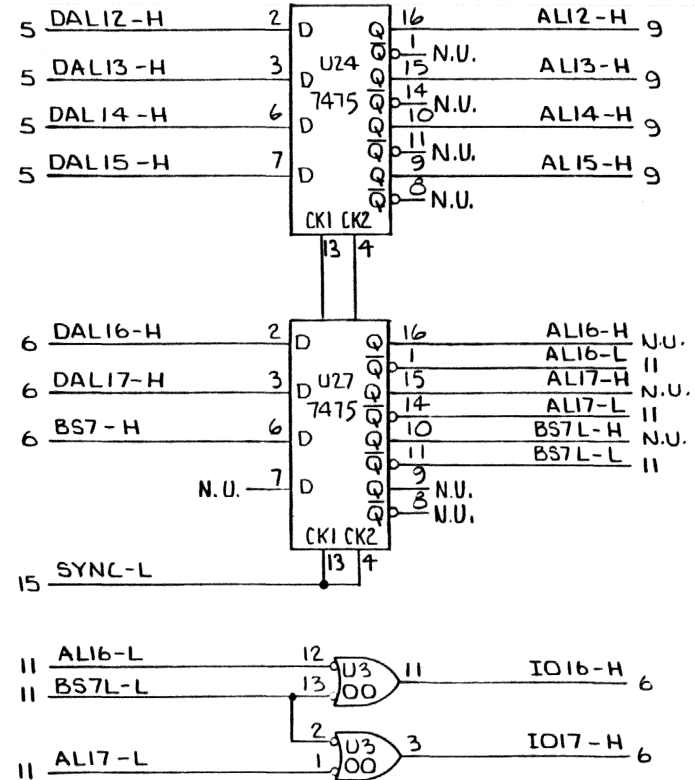
UNIBUS INTERRUPT PRIORITY - Q-BUS ARBITRATOR

SCALE	SIZE	DRAWING NO.
	B	10067003
DO NOT SCALE DRAWING		SHEET 10 OF 19

THE INFORMATION CONTAINED HEREIN IS THE PROPERTY OF
 IBM CORPORATION. IT IS LOANED TO YOU BY CONTRACT, RECEIPT
 OR PURCHASE OF THE INFORMATION DOES NOT EXPRESS
 LICENSE, OR IMPLY ANY RIGHTS TO USE, REPRODUCE, OR
 TRANSMIT IN ANY MANNER OR BY ANY MEANS, WITHOUT
 WRITTEN PERMISSION FROM AN OFFICE OF
 THE ABOVE FIRM.

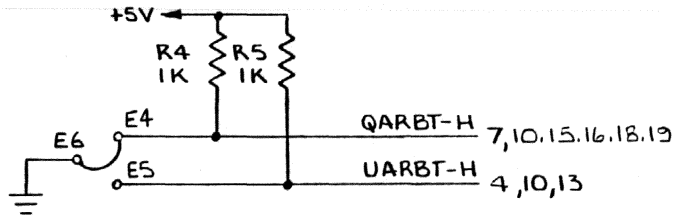


LOWER ADDRESS LATCH

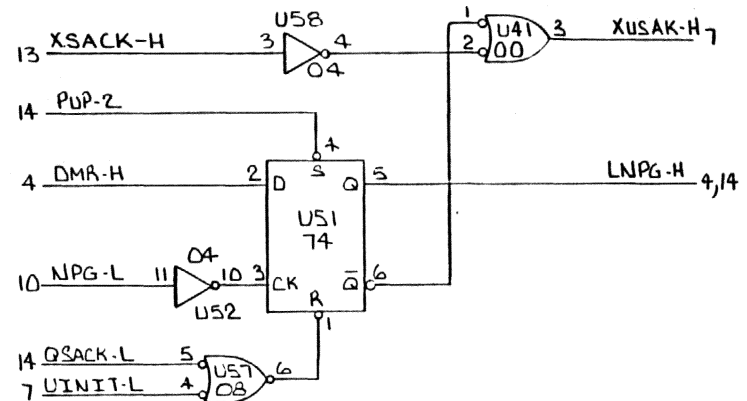
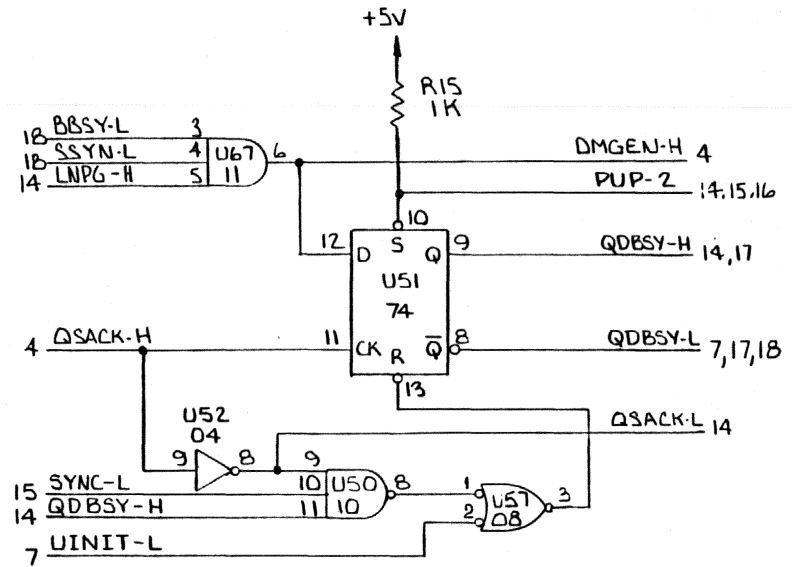


UPPER ADDRESS LATCH

THE INFORMATION CONTAINED HEREIN IS THE PROPERTY OF
 ANALOG DEVICES TECHNOLOGY, INC. TRANSMITTAL, RECEIPT
 OR FURNISHING OF THE INFORMATION DOES NOT CONSTITUTE
 LICENSE OR WARRANTY RIGHTS TO USE, REPRODUCE OR MANUFACTURE
 FROM THIS INFORMATION AND NO REPRODUCTION OR
 PUBLICATION OF IT, IN WHOLE OR IN PART SHALL BE MADE
 WITHOUT WRITTEN AUTHORIZATION FROM AN OFFICER OF
 THE ABOVE FIRM.



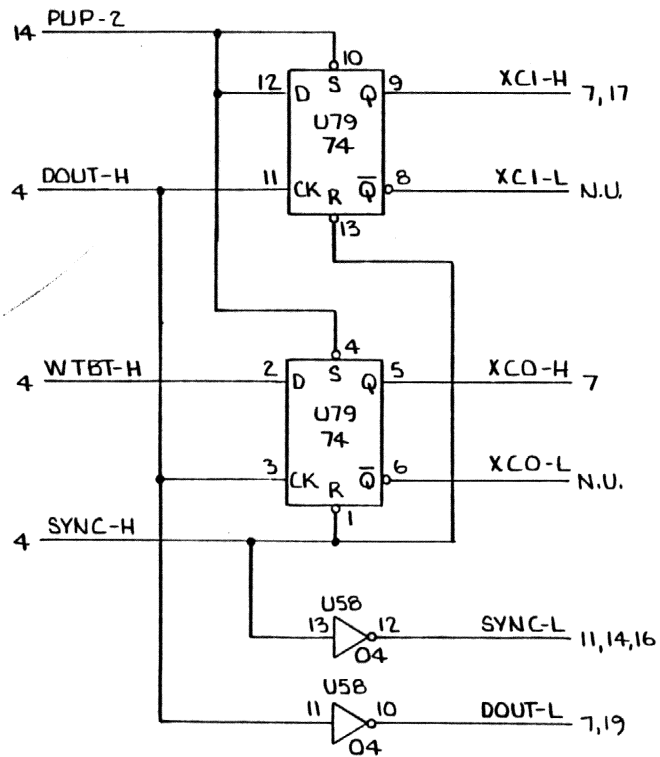
ARBITRATION SELECTION



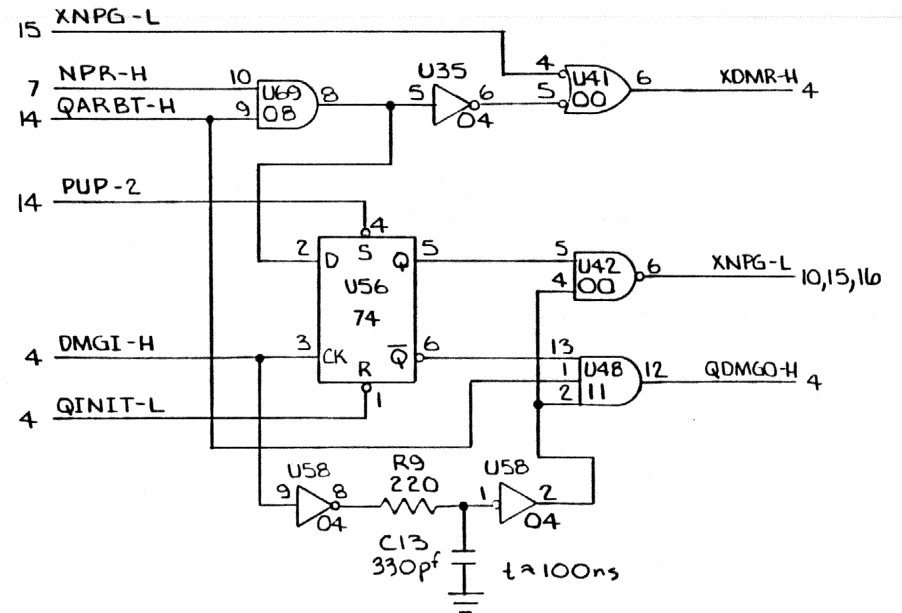
Q-BUS DMA-UNIBUS ARBITRATOR

SCALE	SIZE	DRAWING NO.
	B	10067003
DO NOT SCALE DRAWING		SHEET 14 OF 19

THE INFORMATION CONTAINED HEREON IS THE PROPERTY OF
 ARLE COMPUTER TECHNOLOGY, INC. INFORMATIONAL, RESERVING
 OR POSSESSION OF THE INFORMATION DOES NOT CONSTITUTE
 LICENSE, OR IMPLY ANY RIGHTS TO USE, REPRODUCE, OR MANUFACTURE
 THEREFROM THIS INFORMATION AND NO REPRODUCTION OR
 PUBLICATION OF IT, IN WHOLE OR IN PART, SHALL BE MADE
 WITHOUT WRITTEN AUTHORIZATION FROM AN OFFICE OF
 THE ABOVE FIRM.



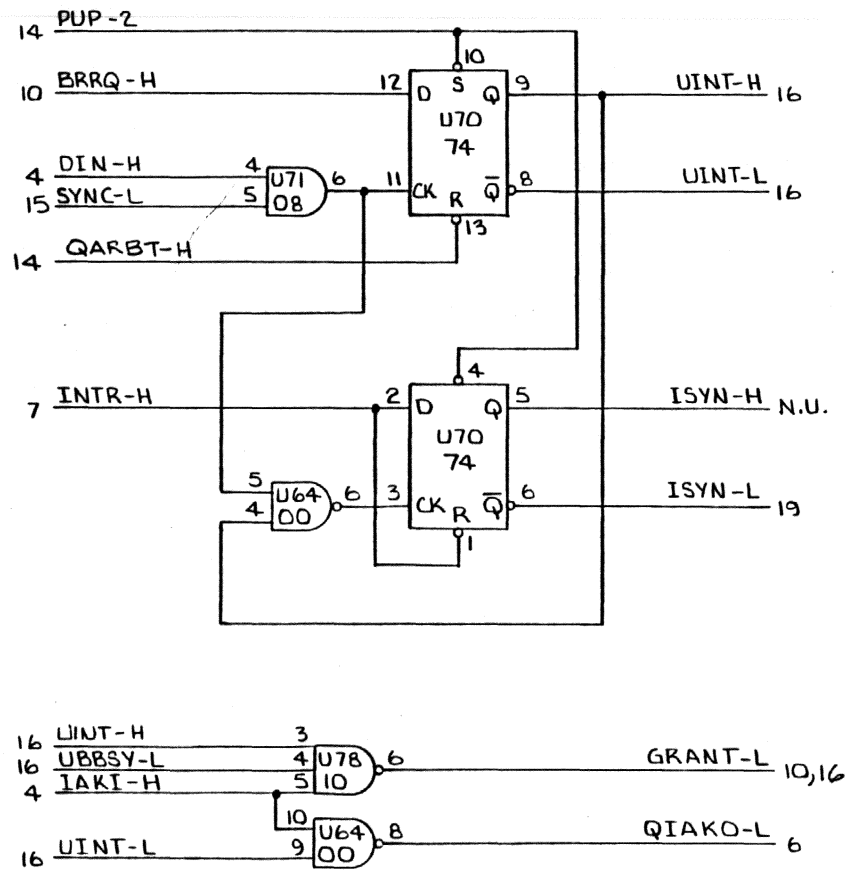
UNIBUS CO AND CI-Q-BUS ARBITRATOR



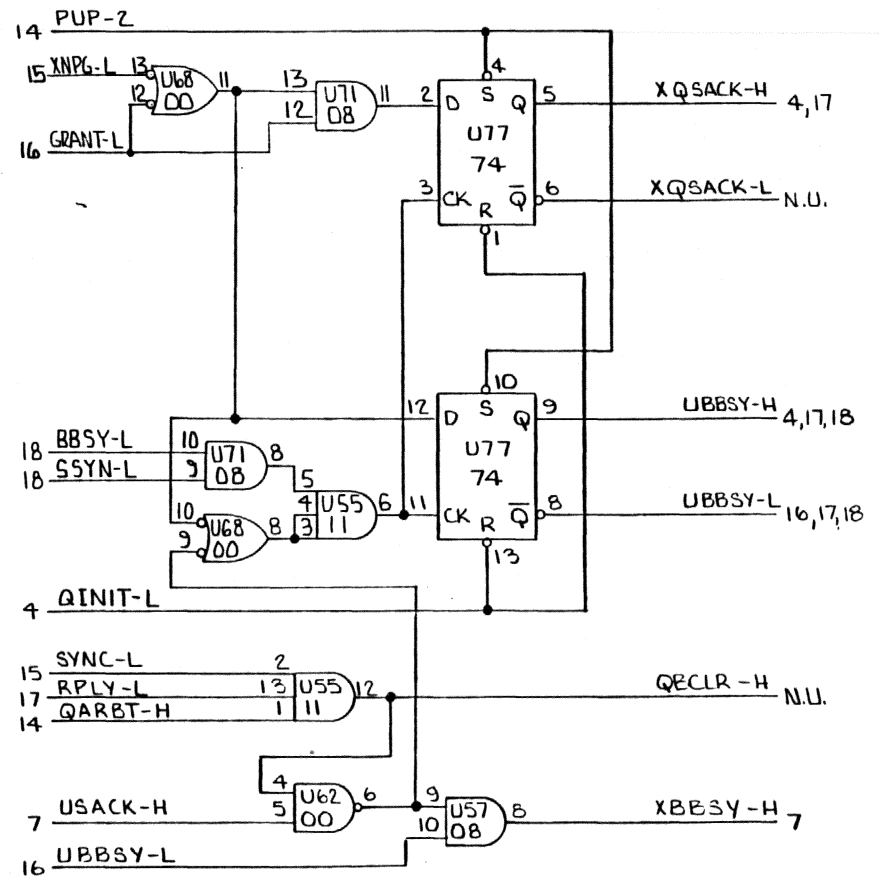
NPG-Q BUS ARBITRATOR

SCALE	SIZE	DRAWING NO.
	B	10067003
DO NOT SCALE DRAWING		SHEET 15 OF 19

THE INFORMATION CONTAINED HEREIN IS THE PROPERTY OF IBM CORPORATION. IT IS LOANED TO YOU UNDER A LICENSE TO USE, COPY, REPRODUCE, TRANSMIT, OR TO MAKE ANY PARTS THEREOF, BUT NOT TO DISSEMINATE IT OR TO REPRODUCE OR TRANSMIT IT IN ANY MANNER OR BY ANY MEANS, WITHOUT THE WRITTEN AUTHORIZATION FROM AN OFFICER OF THE ABOVE FIRM.

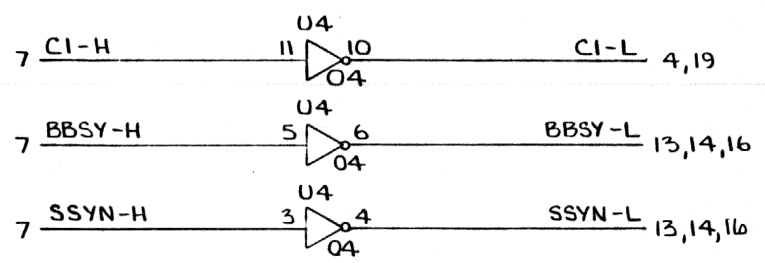
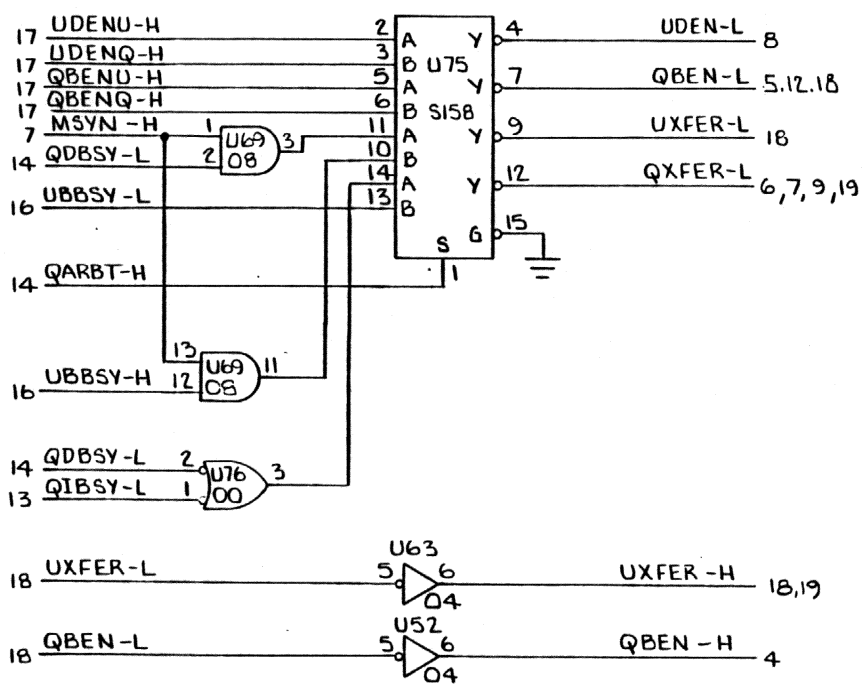


INTERRUPT CONTROL - Q BUS ARBITRATOR

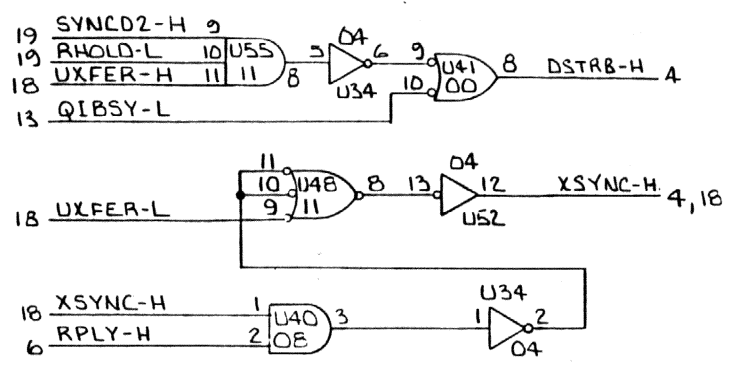


BUS CONTROL - Q BUS ARBITRATOR

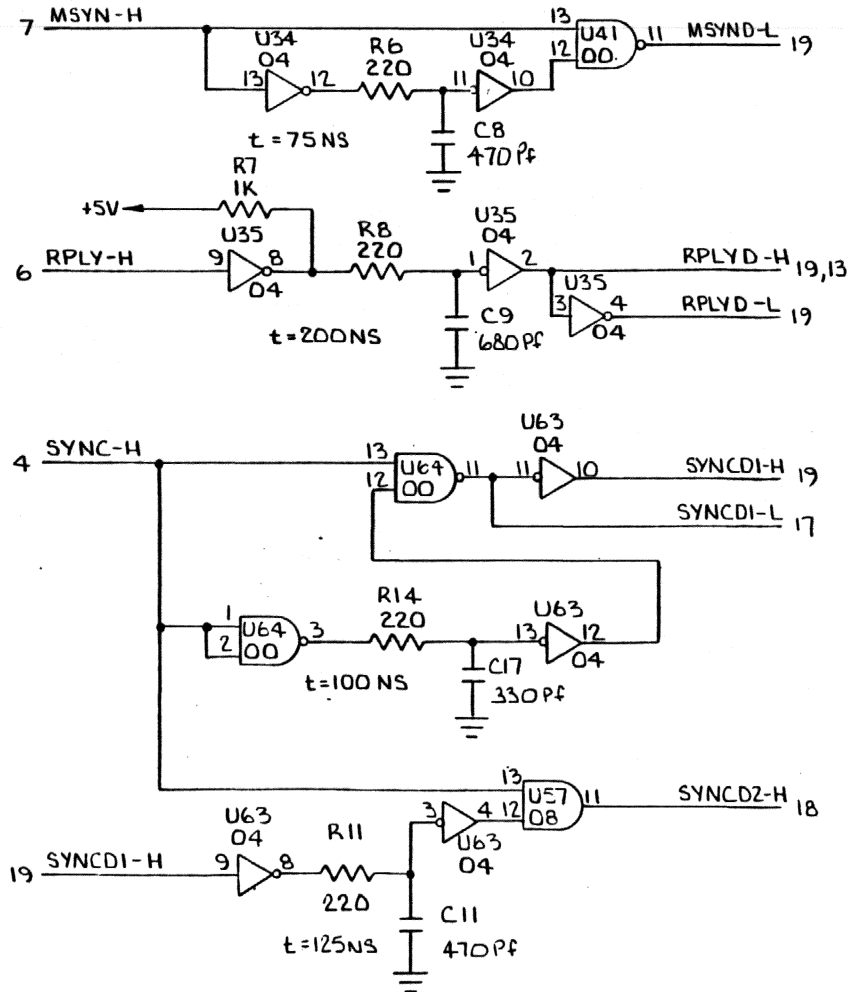
THE INFORMATION CONTAINED HEREIN IS THE PROPERTY OF
 ARBE COMPUTER TECHNOLOGY INC. TRANSMITTING, REPRODUCING
 OR POSSESSION OF THE INFORMATION DOES NOT EXPRESS
 LICENSE OR ANY OTHER RIGHTS TO USE, REPRODUCE, OR
 TRANSMIT FROM THIS INFORMATION AND NO REPRODUCTION OR
 PUBLICATION OF IT, IN WHOLE OR IN PART, SHALL BE MADE
 WITHOUT WRITTEN AUTHORIZATION FROM AN OFFICE OF
 THE ABOVE FIRM.



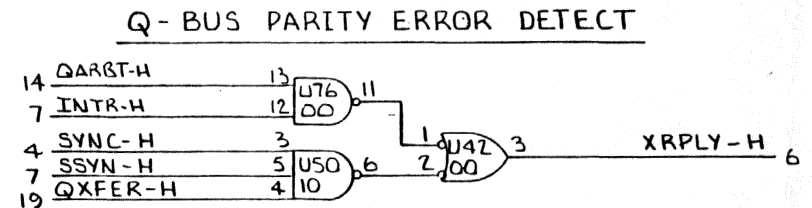
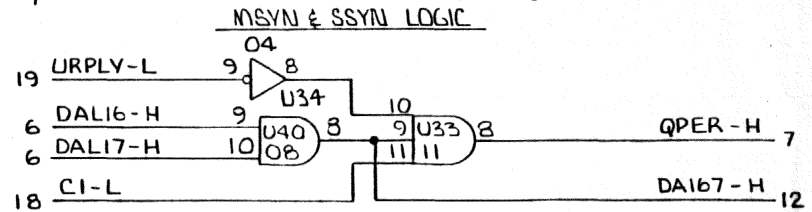
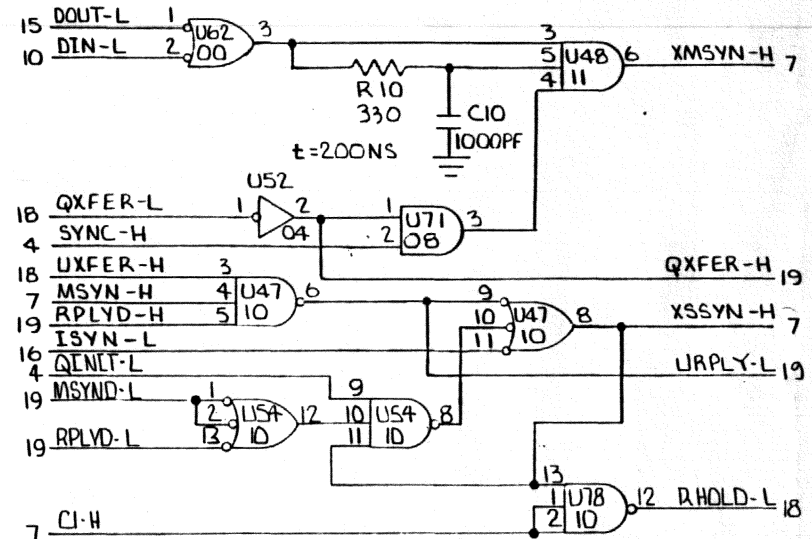
UNIBUS ADDRESS ENABLE



THE INFORMATION CONTAINED HEREIN IS THE PROPERTY OF
 IBM CORPORATION. IT IS TO BE KEPT UNCLASSIFIED, EXCEPT
 WHERE SHOWN OTHERWISE. NO PART OF THIS INFORMATION
 SHOULD BE REPRODUCED OR TRANSMITTED IN ANY FORM OR
 BY ANY MEANS, ELECTRONIC OR MECHANICAL, INCLUDING
 PHOTOCOPYING, RECORDING, OR BY ANY INFORMATION
 STORAGE AND RETRIEVAL SYSTEM, WITHOUT PERMISSION
 IN WRITING FROM THE INTERNATIONAL BUSINESS
 MACHINES CORPORATION, ARMONK, N.Y. 10504.



MISC. TIMING CKTS.



REPLY

SCALE	SIZE	DRAWING NO.
	B	10067003
DO NOT SCALE DRAWING		SHEET 13 OF 19